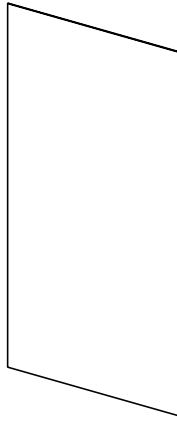
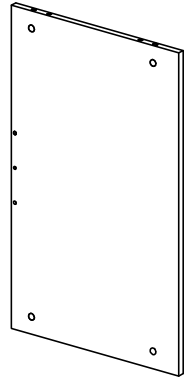


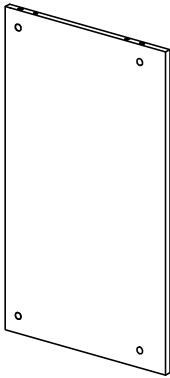
Ax1



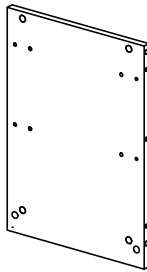
Bx1



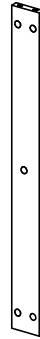
Cx1



Dx1



Ex2



Fx2



Gx4



Hx30



Ix30



Jx28

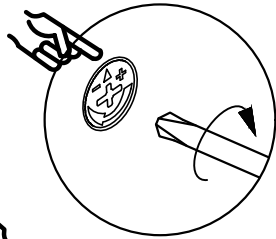
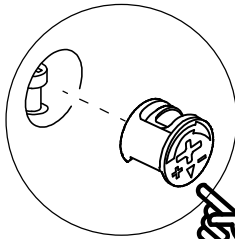
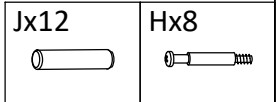
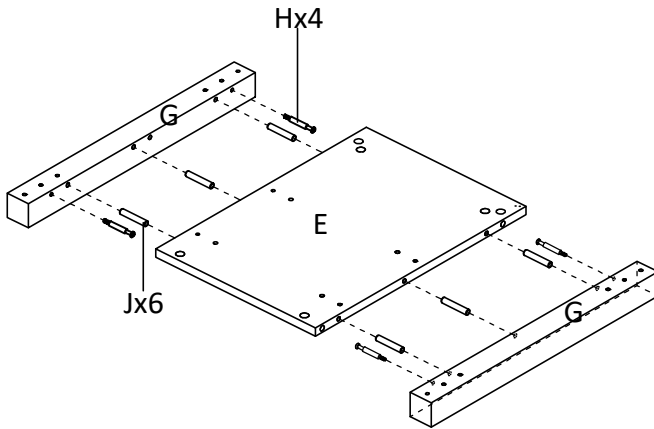


Kx25

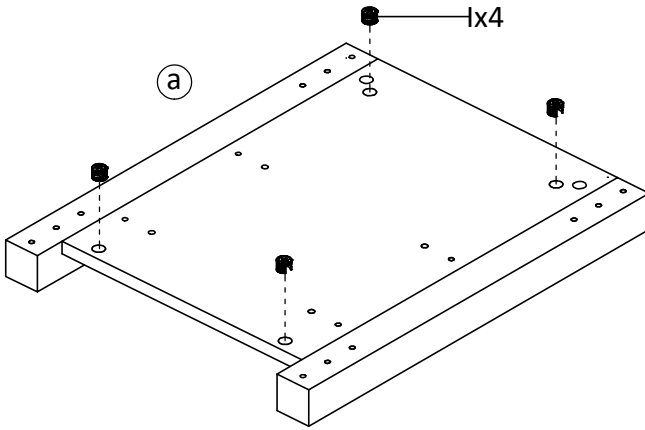


x2

①x2



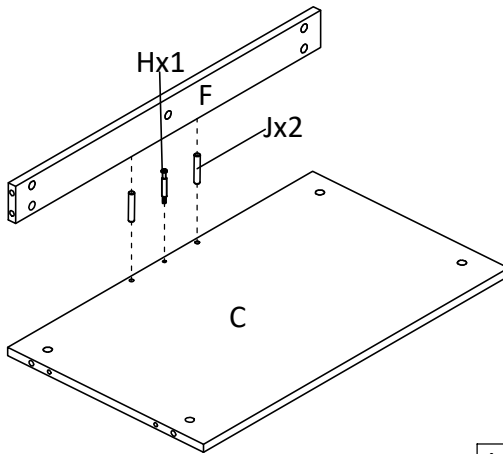
②x2



I x 8



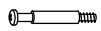
③



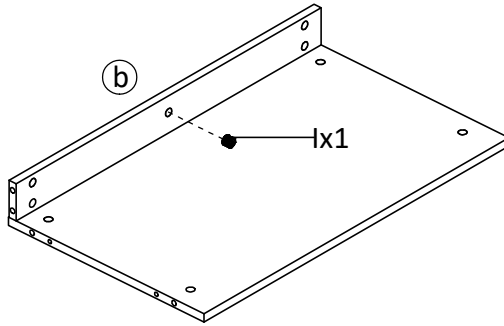
Jx2



Hx1



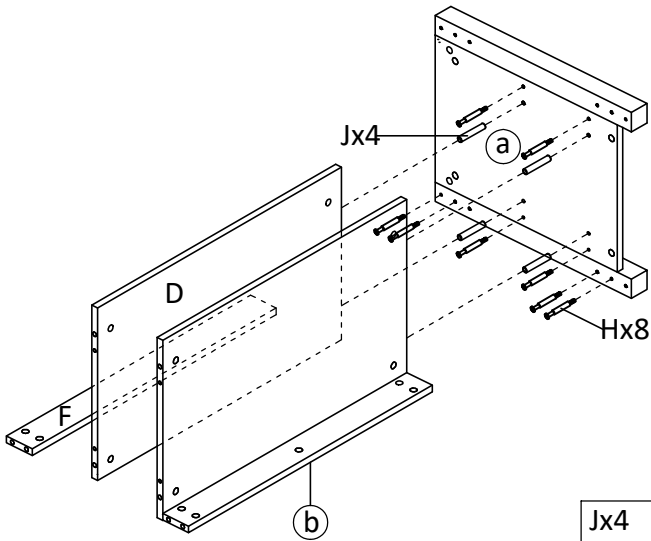
4



lx1



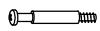
5



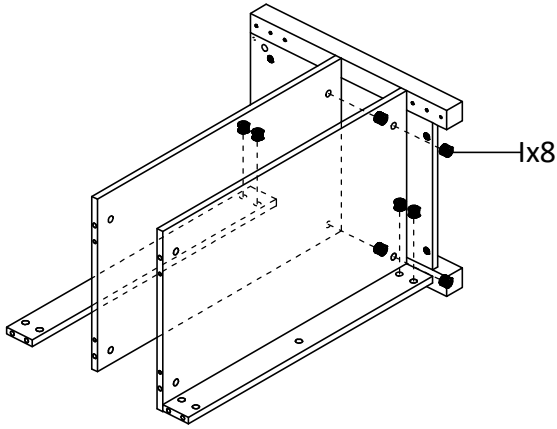
Jx4



Hx8



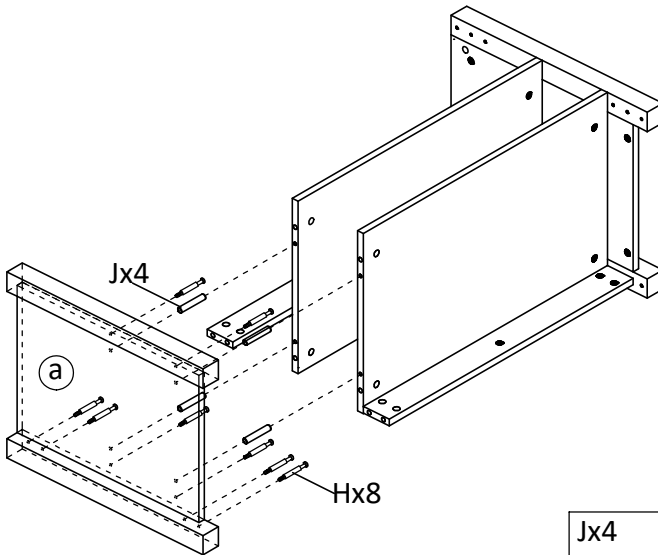
6



$I \times 8$



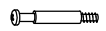
7



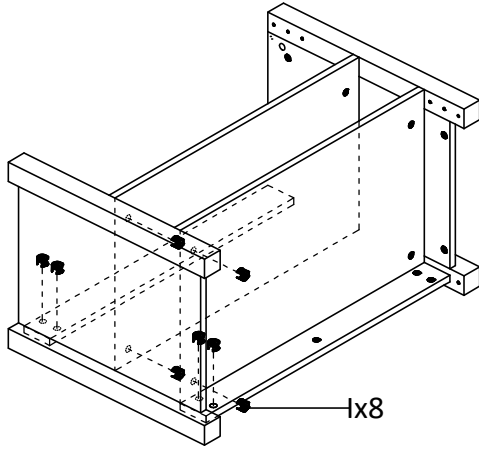
$J \times 4$



$H \times 8$



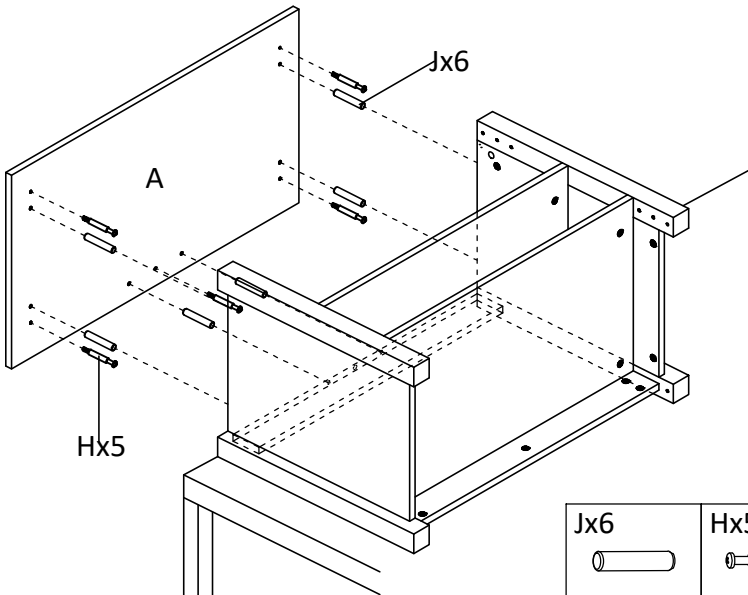
8



Ix8



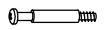
9



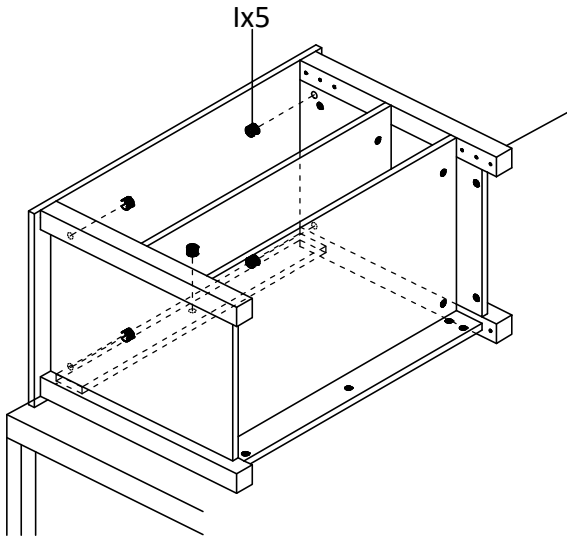
Jx6



Hx5



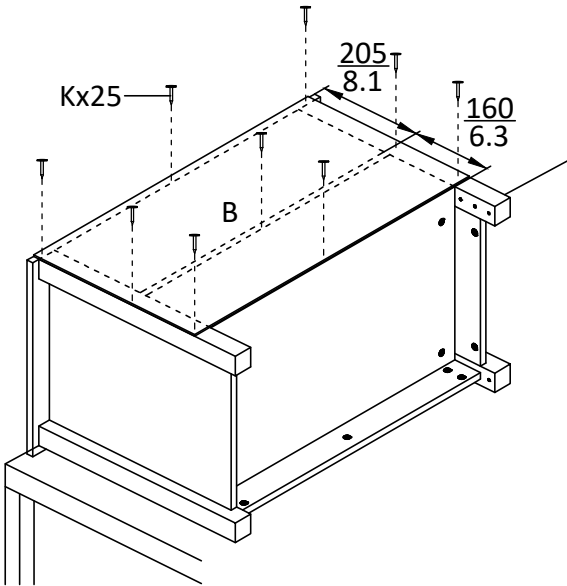
10



Ix5



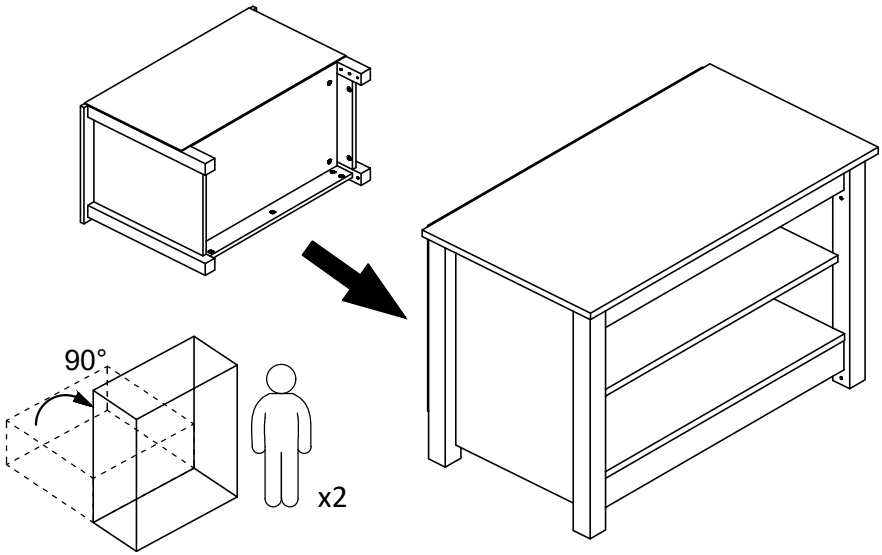
11



Kx25



12



13

