

G



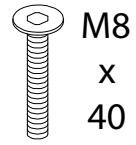
x 3

H



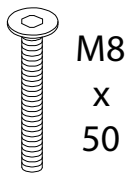
x 1

I



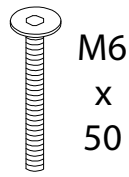
x 8

J



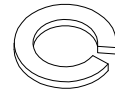
x 8

K



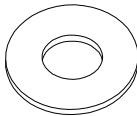
x 25

L



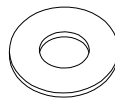
x 41

M



x 32

N



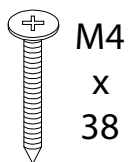
x 9

O



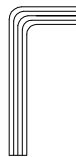
x 33

P



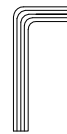
x 16

Q



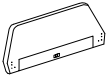
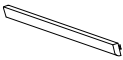





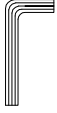
x 1

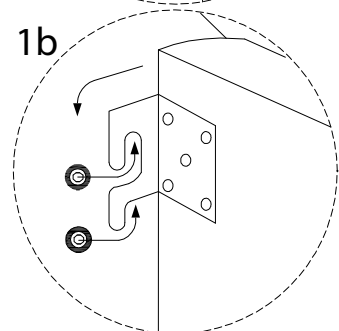
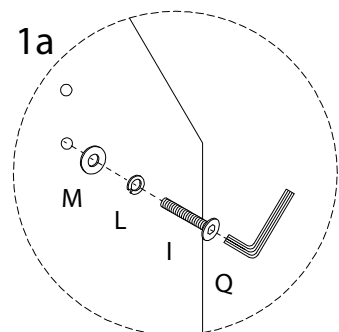
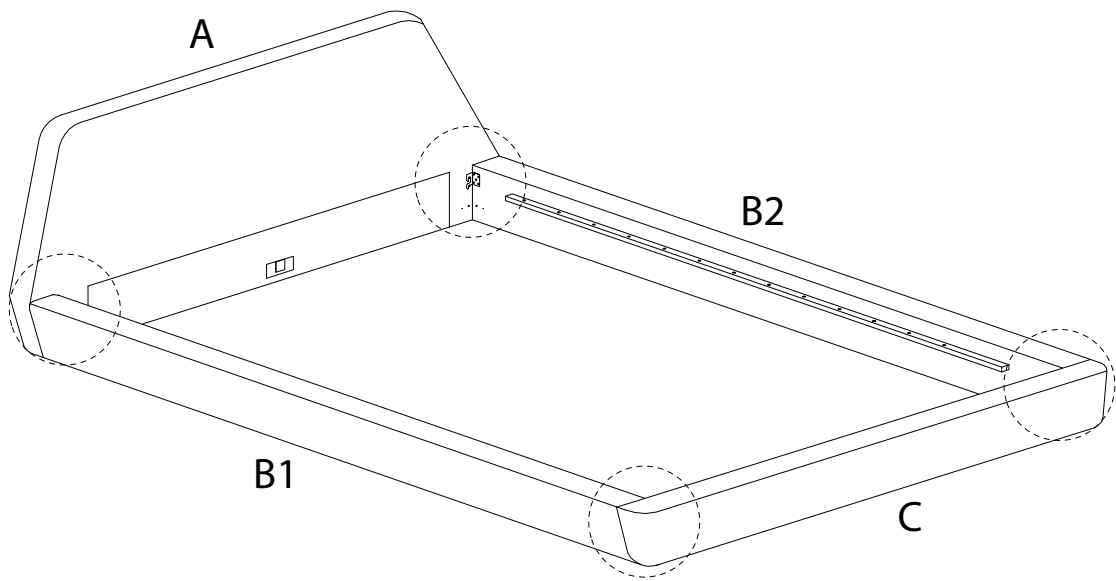
R



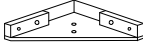
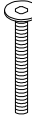



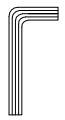
x 1

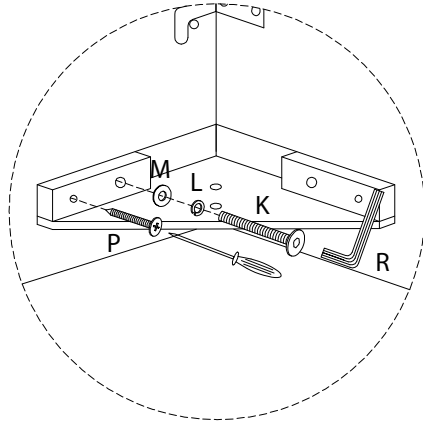
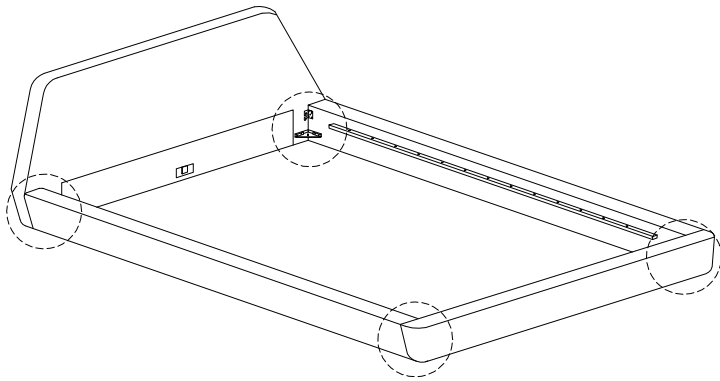
1

A  x 1	B1  x 1	B2  x 1	C  x 1
I  M8 x 40 x 8	L  x 8	M  x 8	Q  x 1


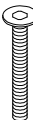


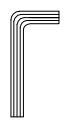


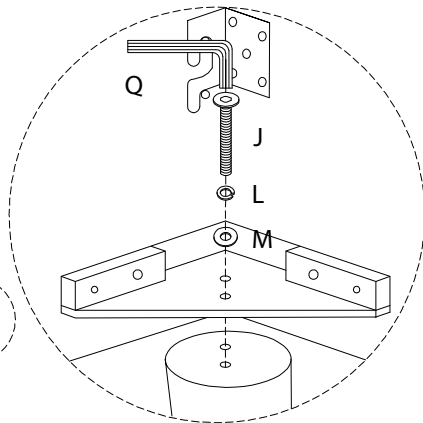
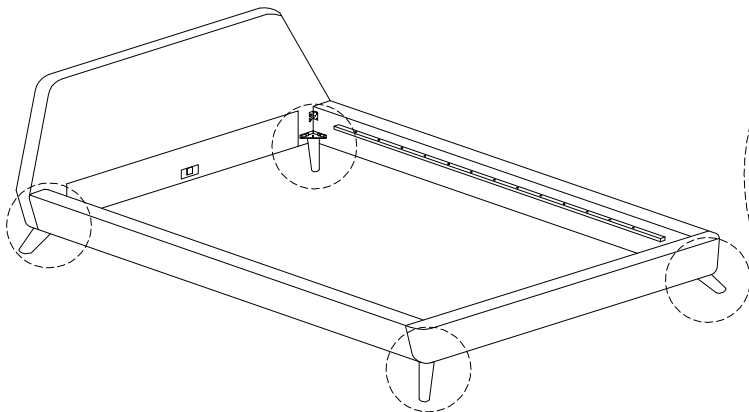
2

E  x 4	K  M6 x 50 x 16	L  x 16	M  x 16	P  M4 x 38 x 16	R  x 1
--	--	---	--	--	--

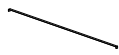

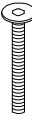
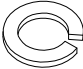

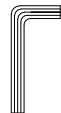


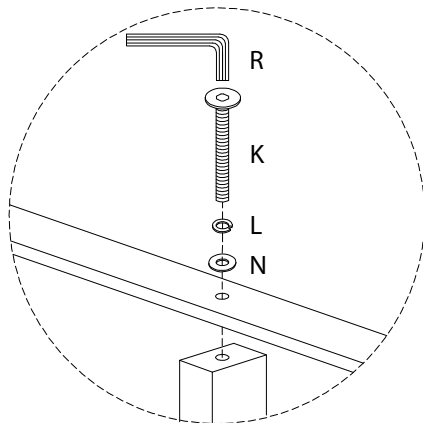
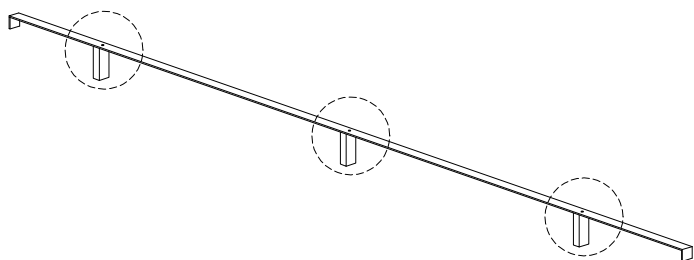
3

F  x 4	J  M8 x 50 x 8	L  x 8	M  x 8	Q  x 1
--	---	--	--	--

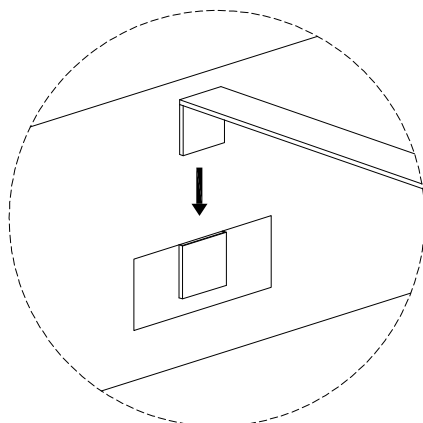
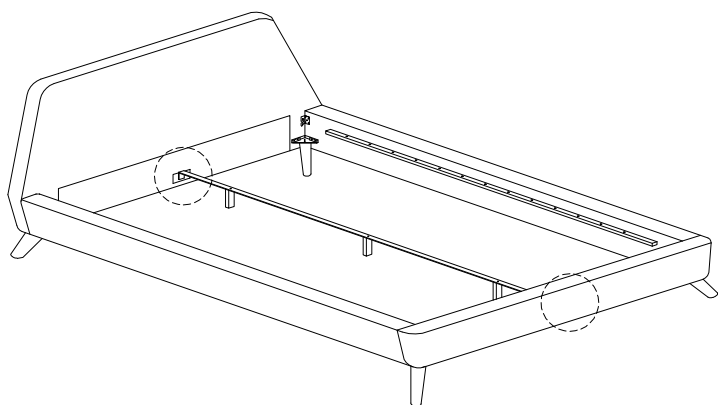


4

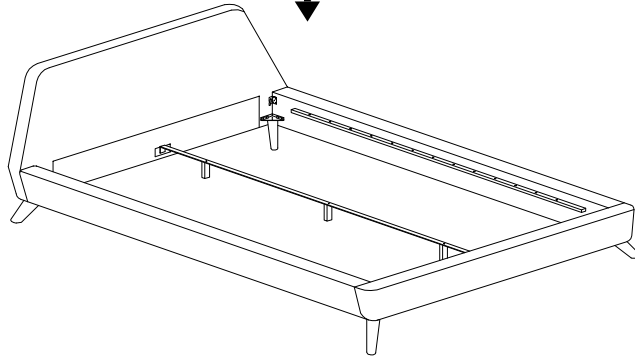
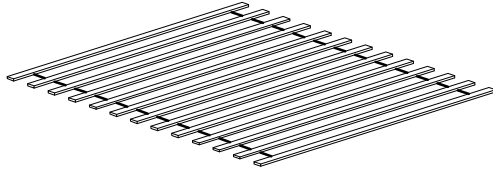
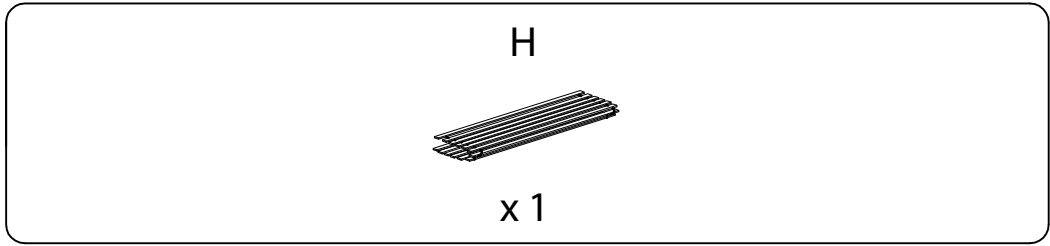
D  x 1	G  x 3	K  M6 x 50 x 3	L  x 3	N  x 3	R  x 1
---	---	--	--	---	---





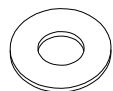
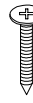
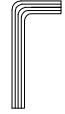
5



6



7

K  M6 x 50 x 6	L  x 6	N  x 6	O  M4 x 30 x 33	R  x 1
---	--	--	--	--

