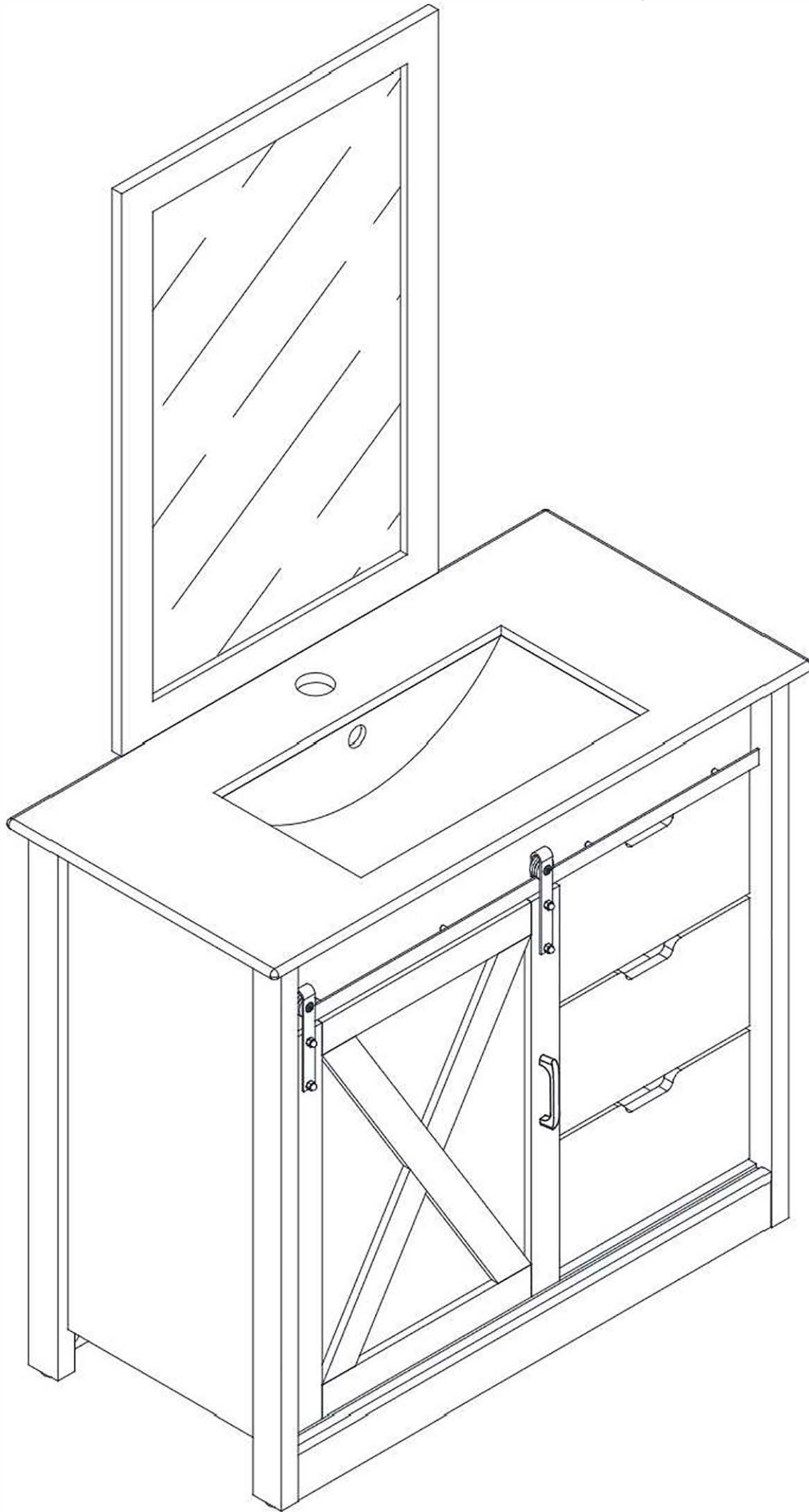


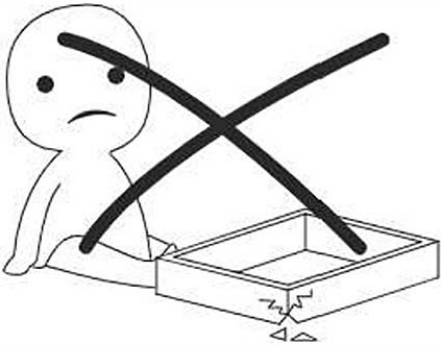
# Installation & Assembly





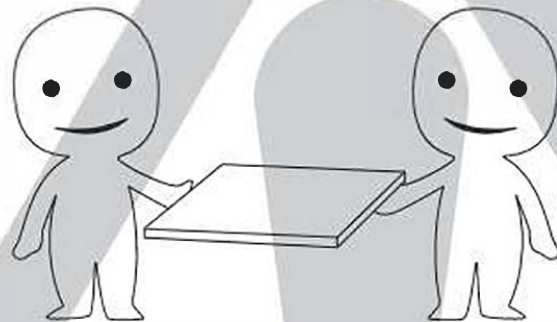
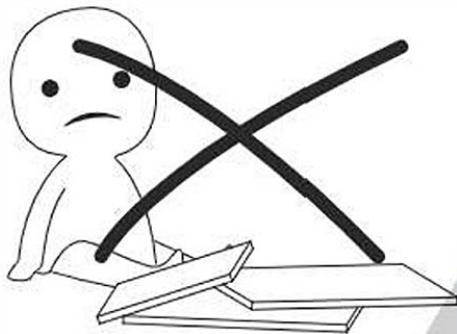
### **IMPORTANT INFORMATION!**

please read the entire manual before starting to assemble and/or using this product, follow the manual thoroughly and keep it for further reference.



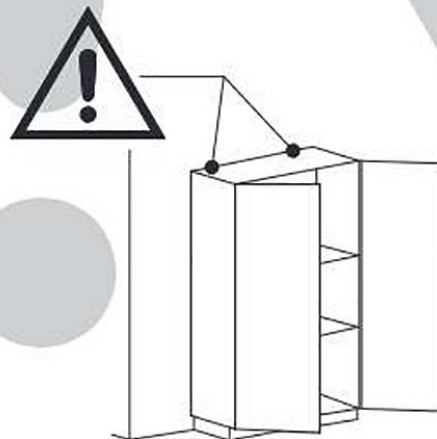
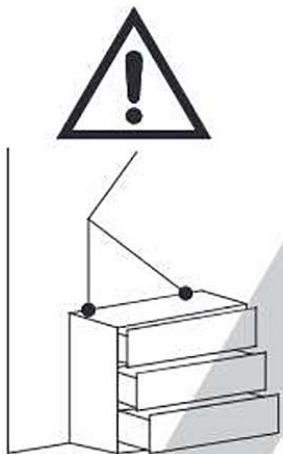
### **AVOID SCRATCHES!**

In order to avoid scratching this furniture should be assembled on a soft layer-could be a rug.



### **IMPROVE EFFICIENCY !**

Try to find a partner to install with you, which can speed up the installation efficiency and shorten the time.



### **ANTI-TOPPLE WARNING !**

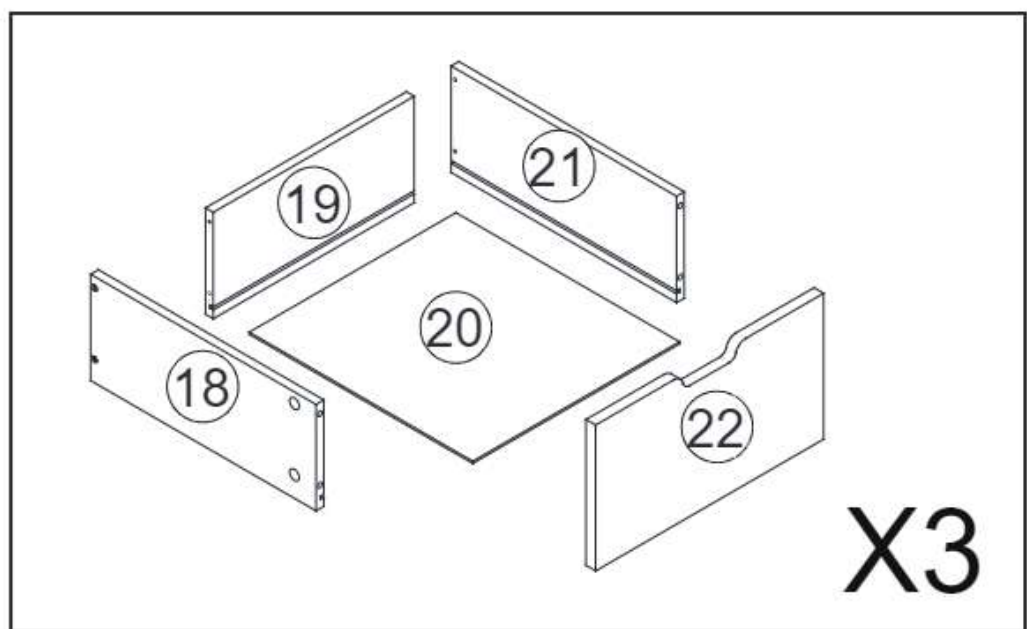
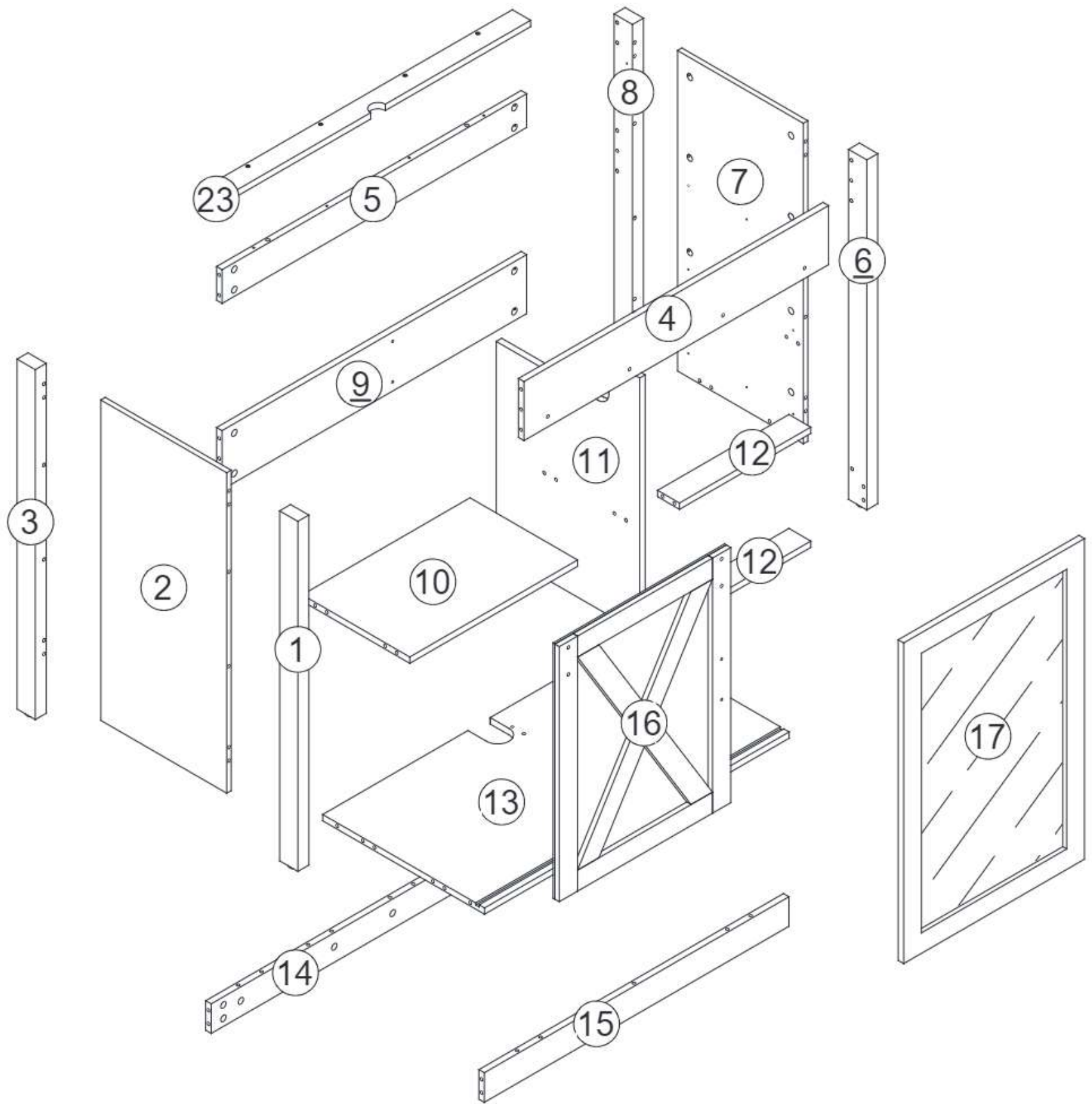
Overtured furniture can cause serious or fatal crush injuries. To prevent tipping over, be sure to use the wall attachment, if not included with this product. Please purchase the wall attachment that fit your wall. If unsure, seek professional advice. Please read and follow each step of the instructions carefully.

### **IMPORTANT !**

It is important that any product which is assembled using any kind of screw is re-tightened 2 weeks after assembly, and once every 3 months - in order to assure stability through-out the lifespan of the product.

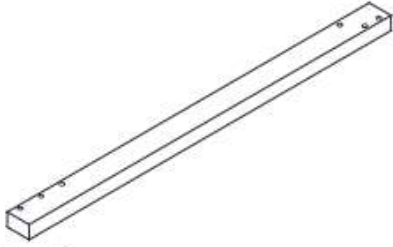

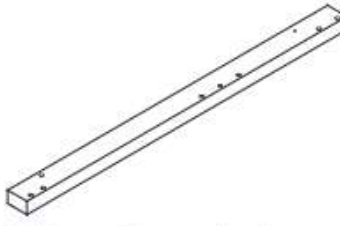
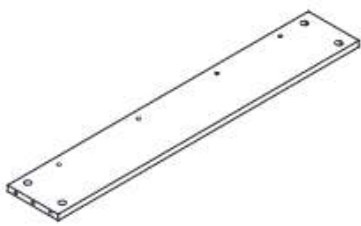
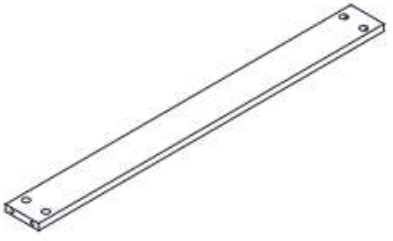
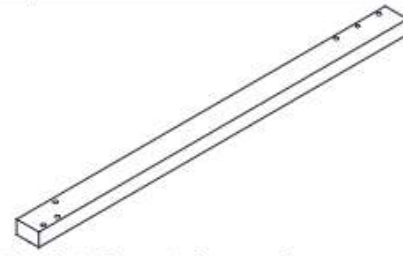
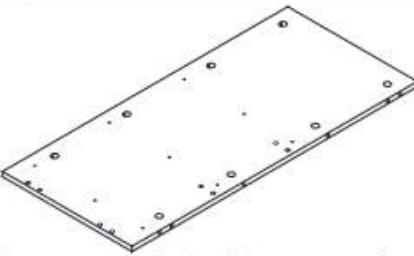
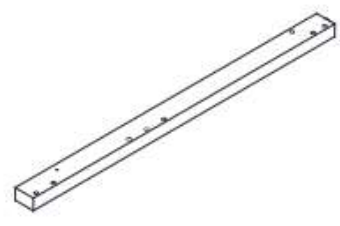
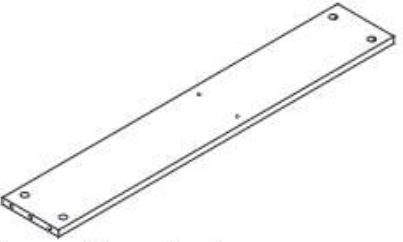

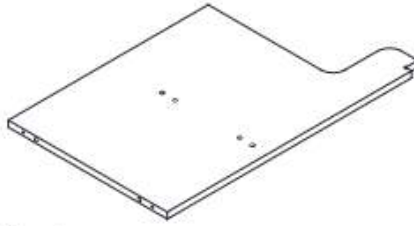
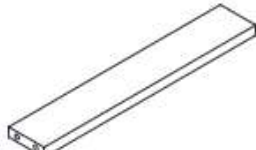

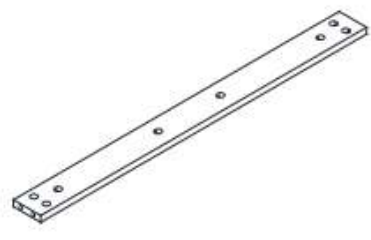
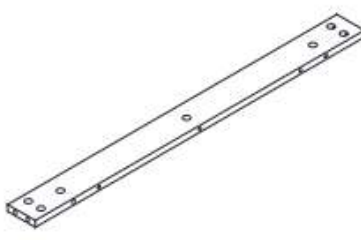
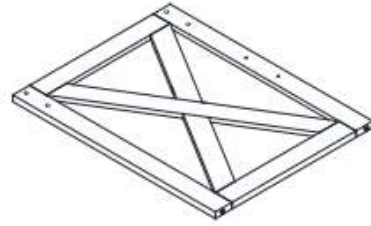
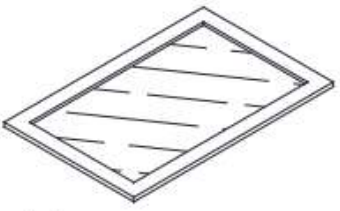
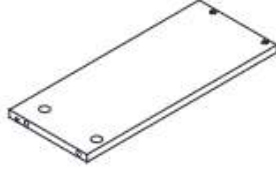

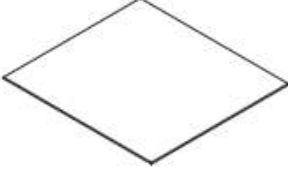
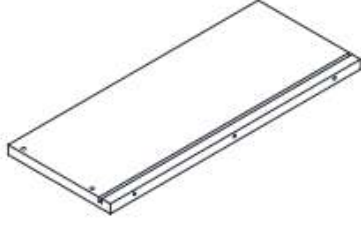
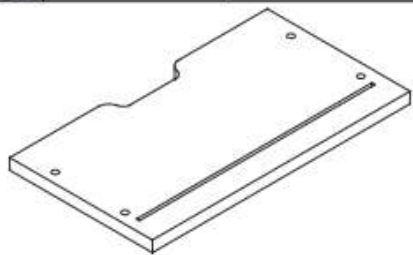
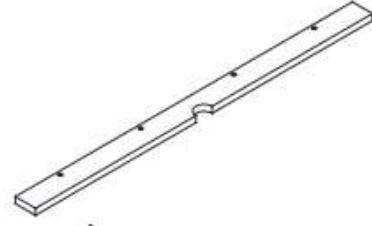
For regular maintenance and cleaning of the product, for the frame, please use a rag dipped in neutral detergent to fully wipe it, and then dry it with a clean rag. For glass materials, wipe with a rag dampened with water glass cleaner, and then dry with a dry rag.

Do not use an electric screwdriver, and do not use too much force when installing, because the board is easy to break.



**X3**

# Parts and Operation Elements

			
Roof	On the left panel	Left front bracket	Neutral plates
① 1pc	② 1pc	③ 1pcs	④ 1pc
			
Upper bezel	Right front bezel	Upper right side panel	Upper backplate
⑤ 1pc	⑥ 1pc	⑦ 1pc	⑧ 1pc
			
Movable shelves	Lower left side panel	Shelves	Lower right side panel
⑨ 1pc	⑩ 1pc	⑪ 1pc	⑫ 2pcs
			
Horizontal bars	Left door panel	Right door panel	Lower back plate
⑬ 1pc	⑭ 1pc	⑮ 1pc	⑯ 1pc
			
Front bar	Lower rear bar	Horizontal bars	Front baseboard
⑰ 1pc	⑱ 3pcs	⑲ 3pcs	⑳ 3pcs
			
Draw the back plate	The plate	Upper bar	
㉑ 3pcs	㉒ 3pcs	㉓ 1pc	

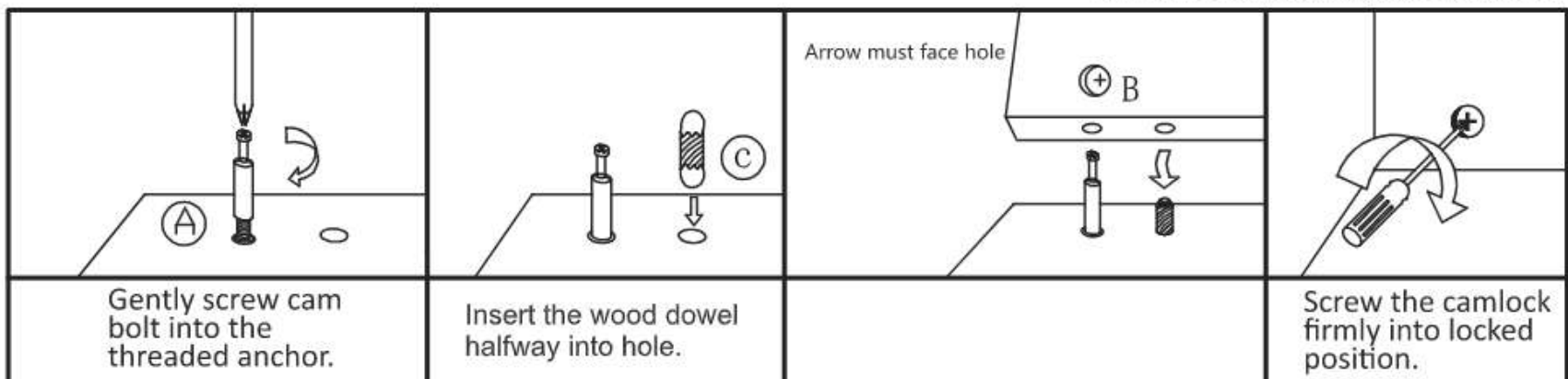
# Hardware

							
A	71+2pcs	B	71+2pcs	C	34+2pcs	D	1pc
							
E	1pc	F	4pcs	G	4pcs	H	36+2pcs
							
I	2sets	J	71+2pcs	K	1pc		
							
L	16+2pcs	M	1pc	N	4pcs	P	4pcs
							
Q	2pcs	R	8+2pcs	S	2pcs	T	2sets
							
U	2pcs	DR	3pcs	DL	3pcs	CR	3pcs
							
CL	3pcs						

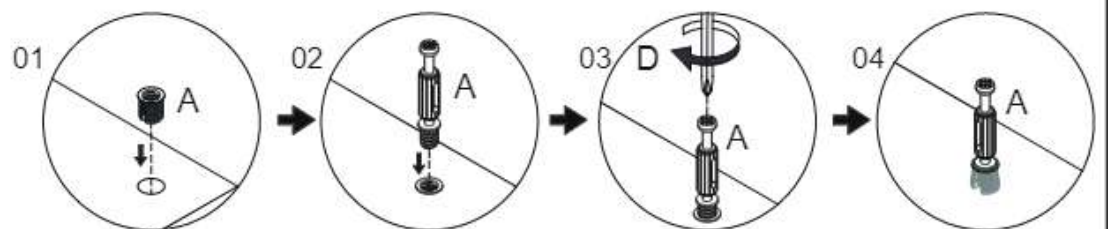
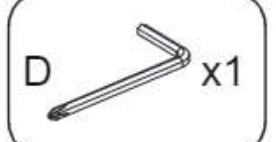
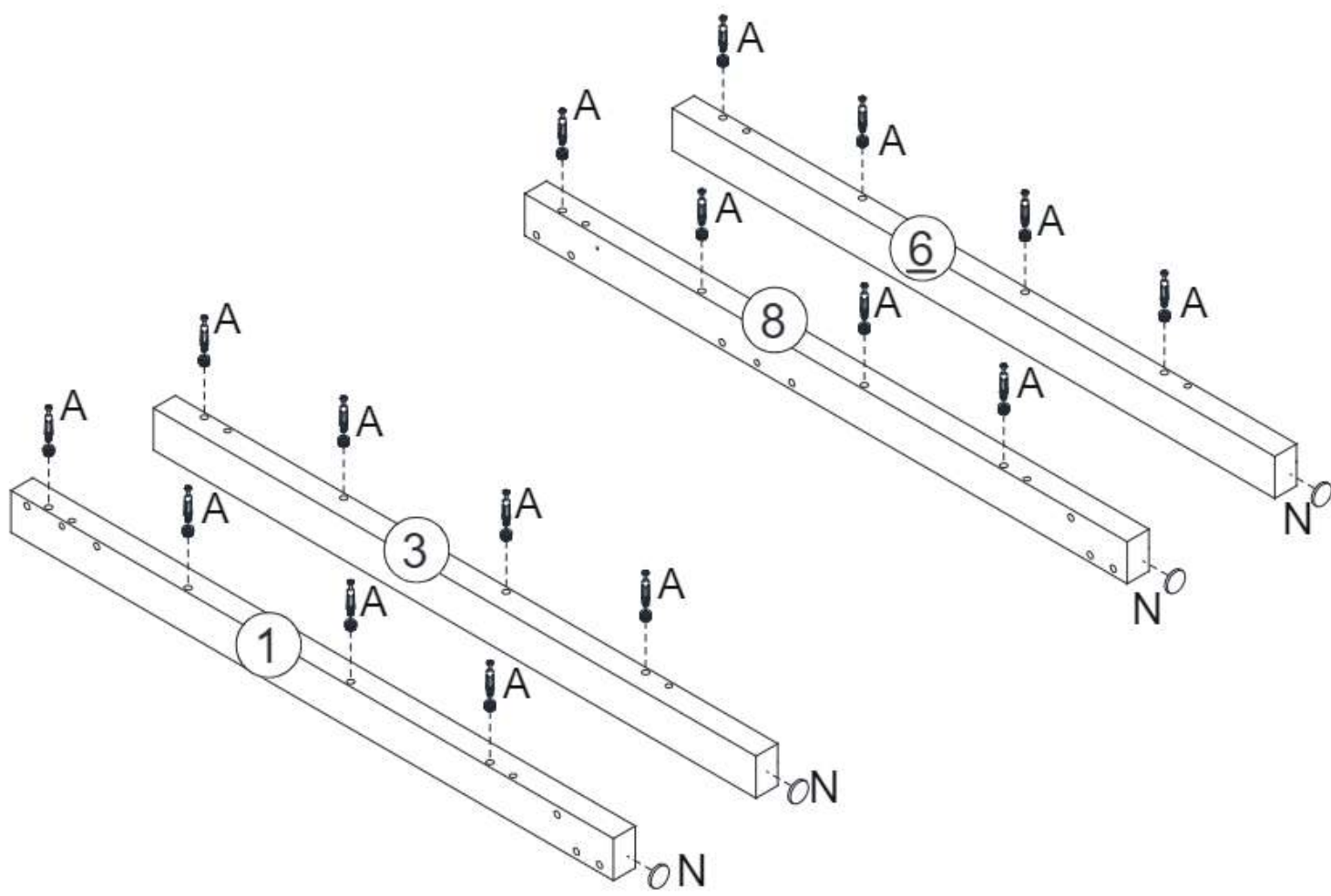


SPARE BAG

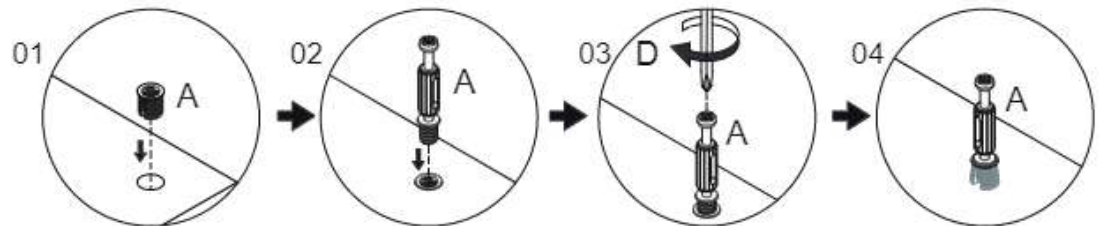
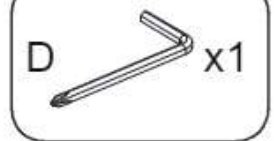
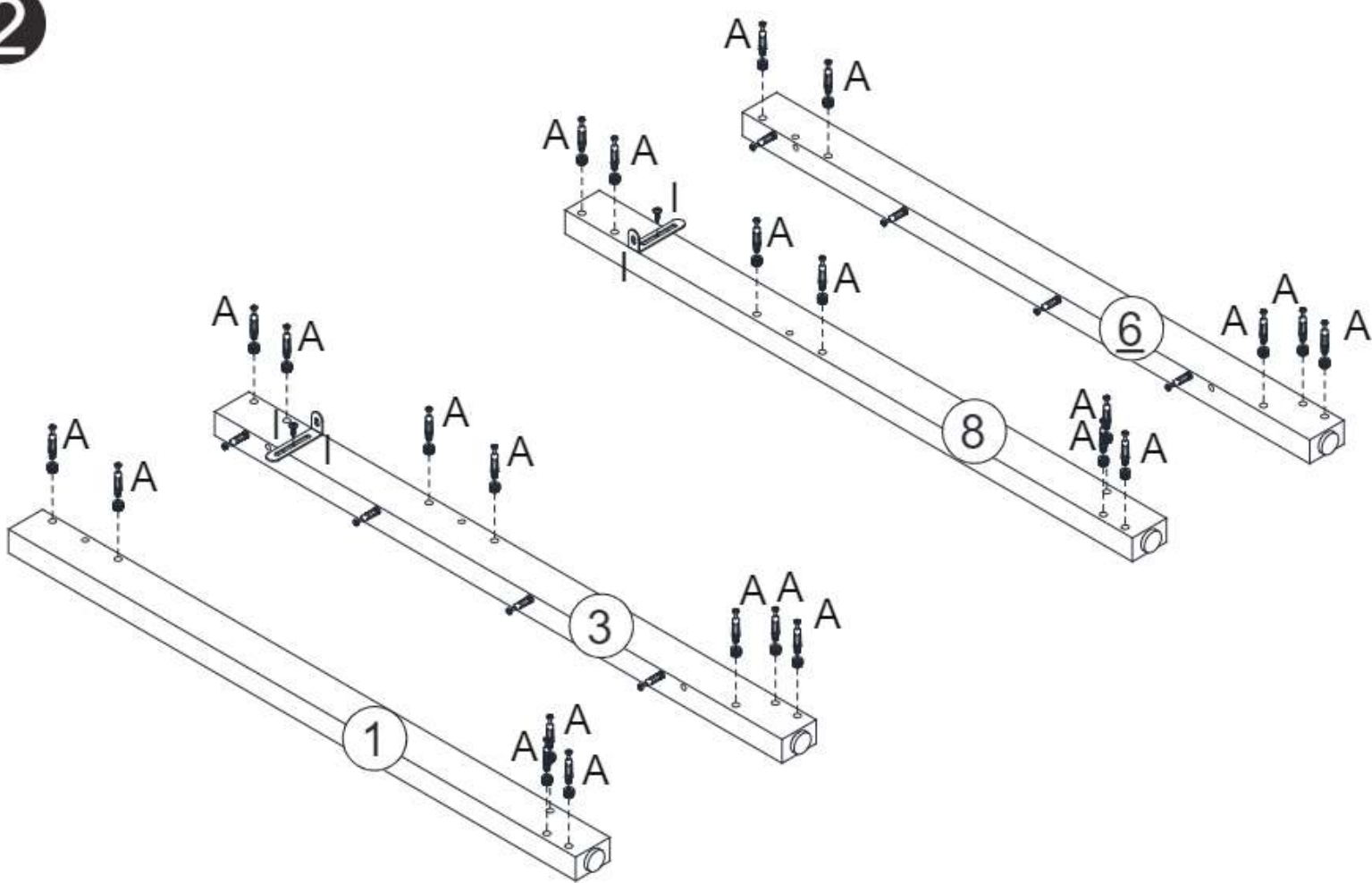
THE SPARE BAG INCLUDED EXTRA HARDWARE FOR DAMAGED OR MISSING SMALL HARDWARE WHILE YOU ARE ASSEMBLING.



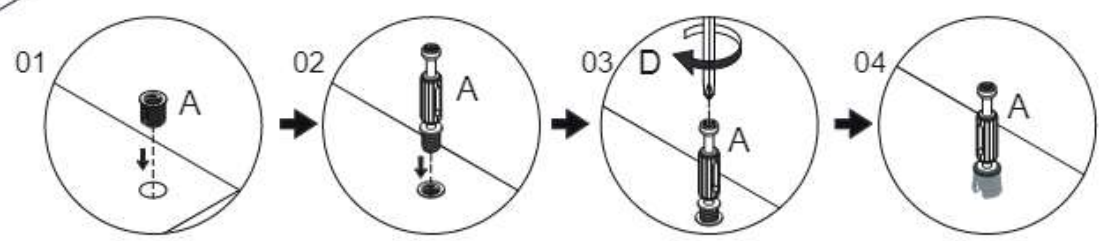
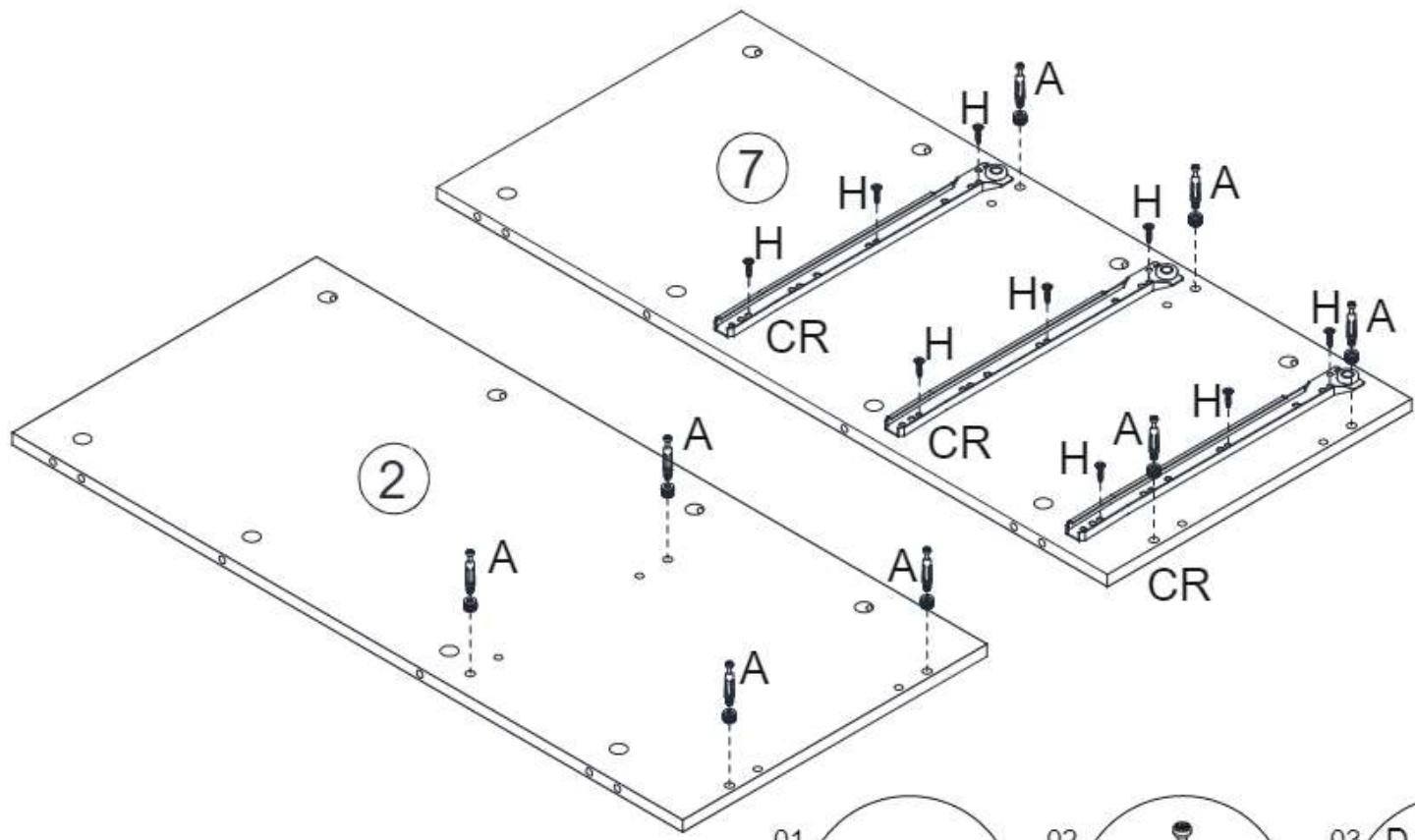
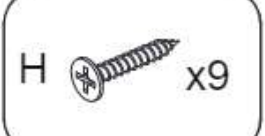
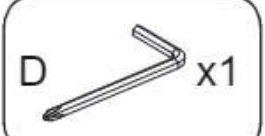
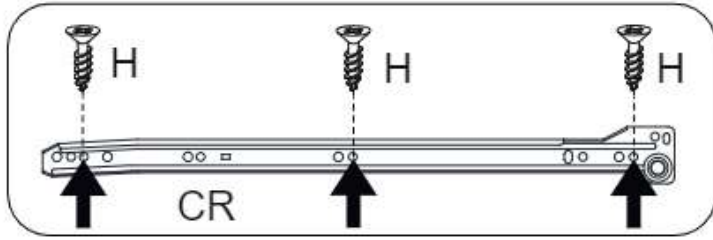
1



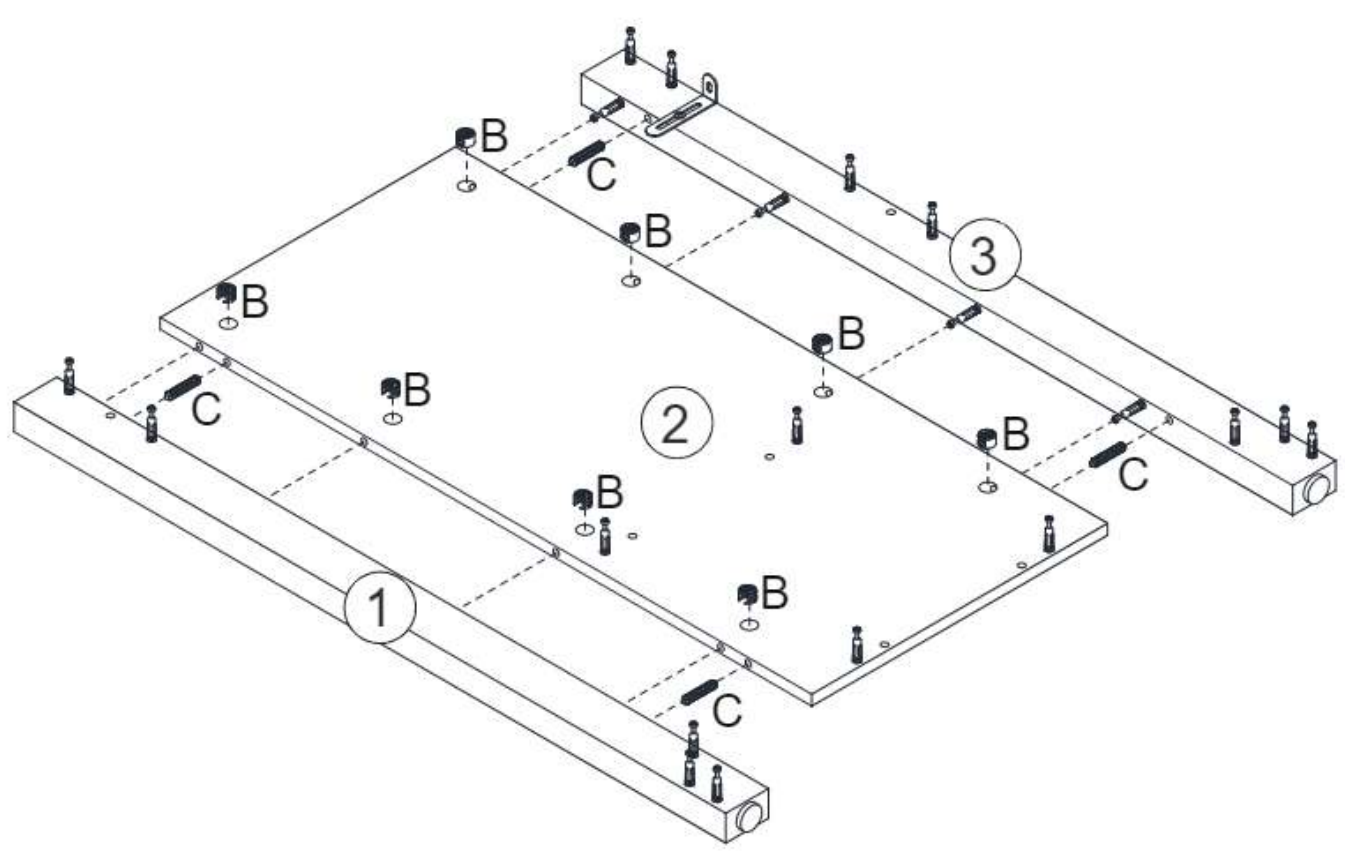
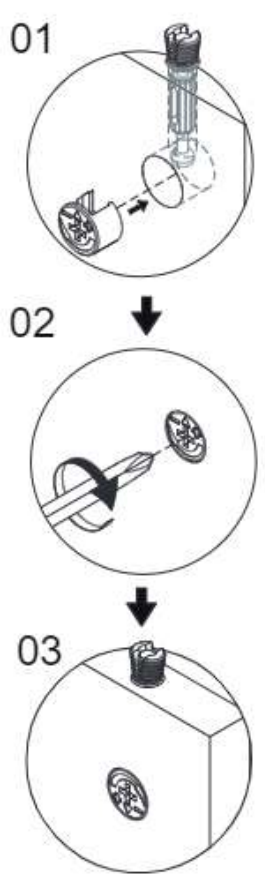
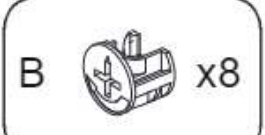
2



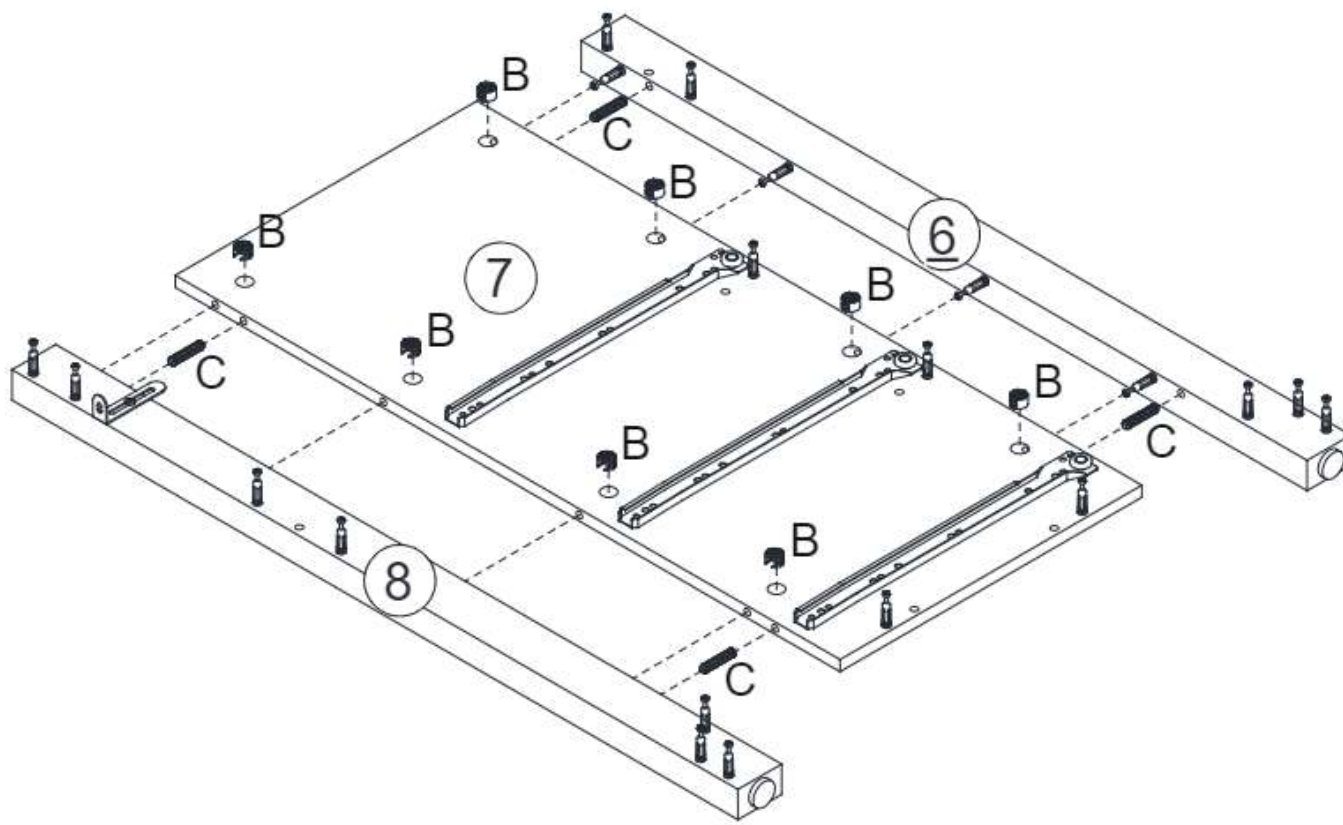
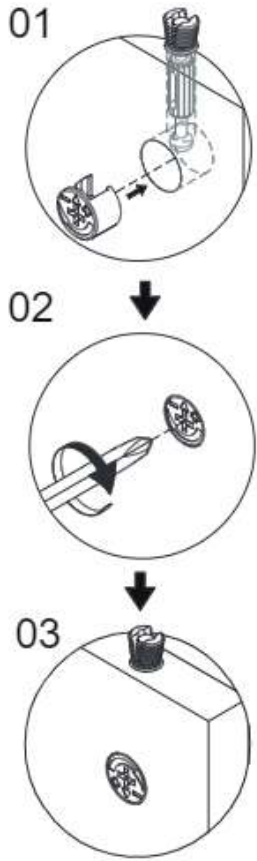
3






4

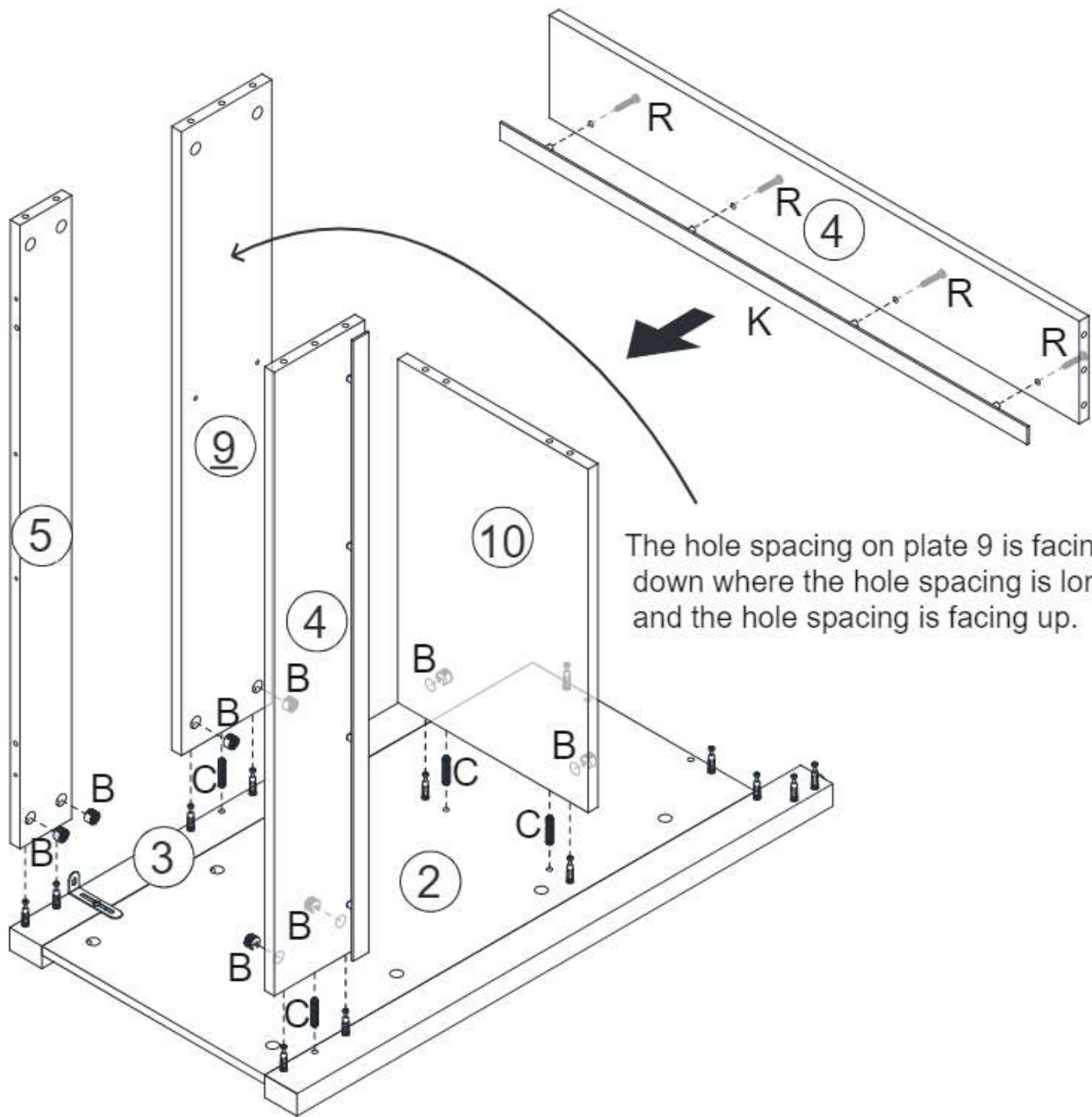


# 5








- B  x8
- C  x4
- D  x1

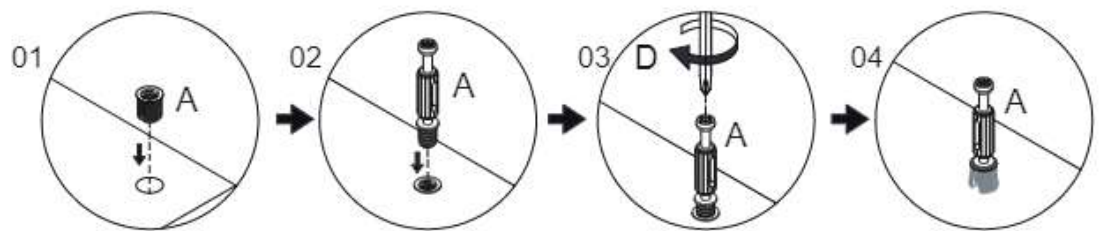
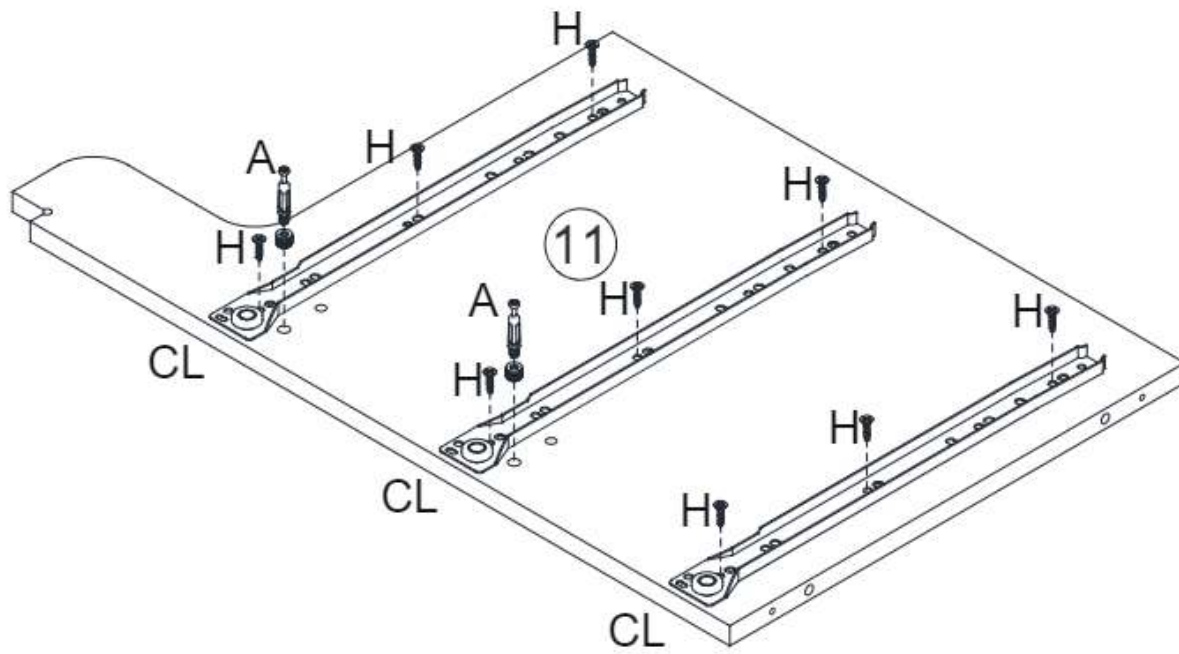
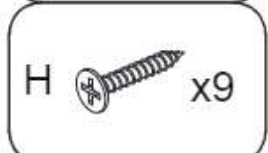
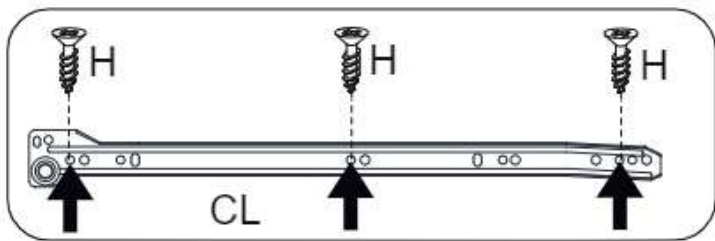
# 6



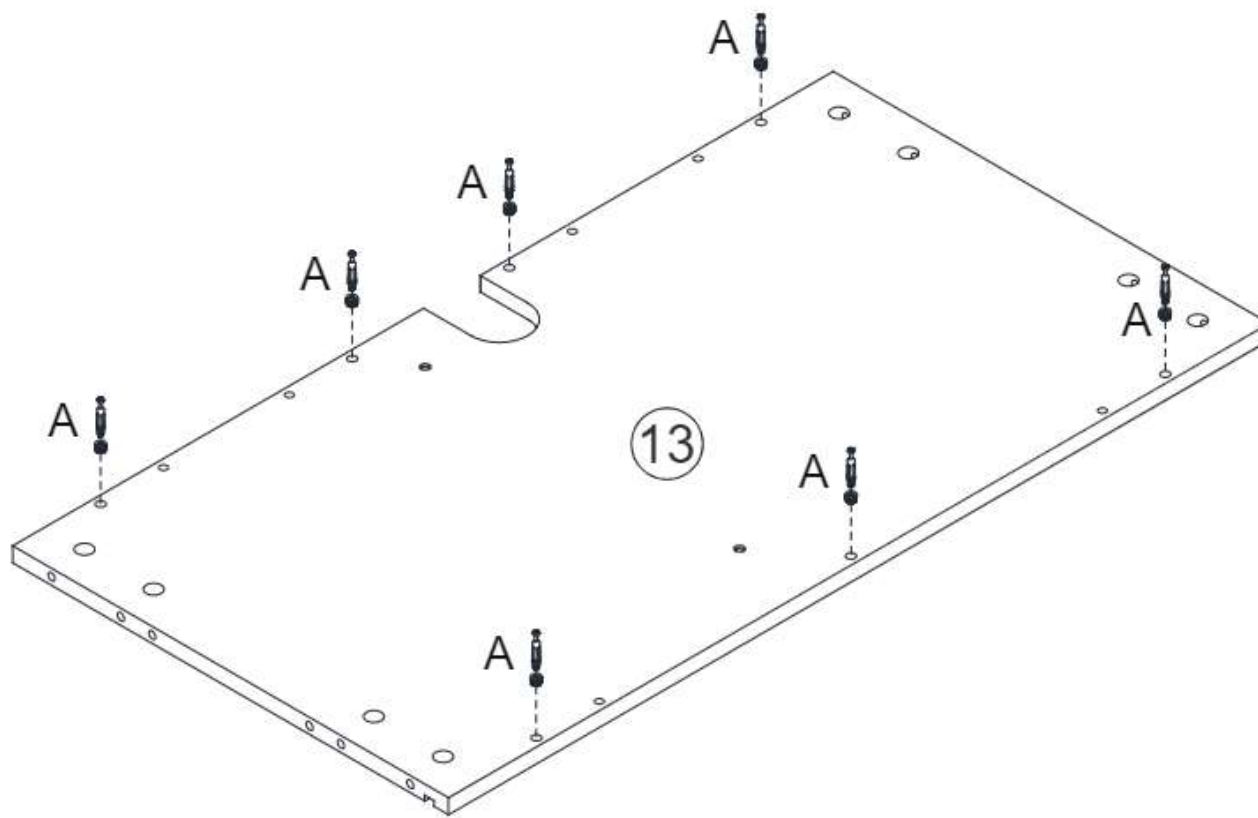
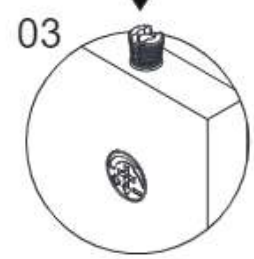
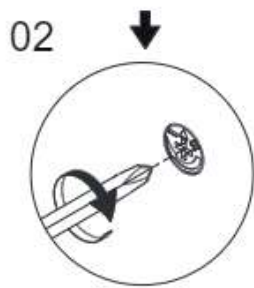
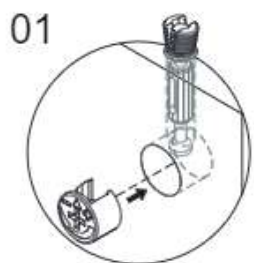
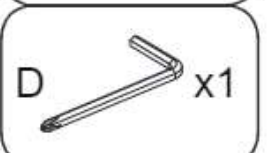
The hole spacing on plate 9 is facing down where the hole spacing is long and the hole spacing is facing up.

- B  x8
- C  x4
- D  x1
- R  x4
- K  x1

7



8

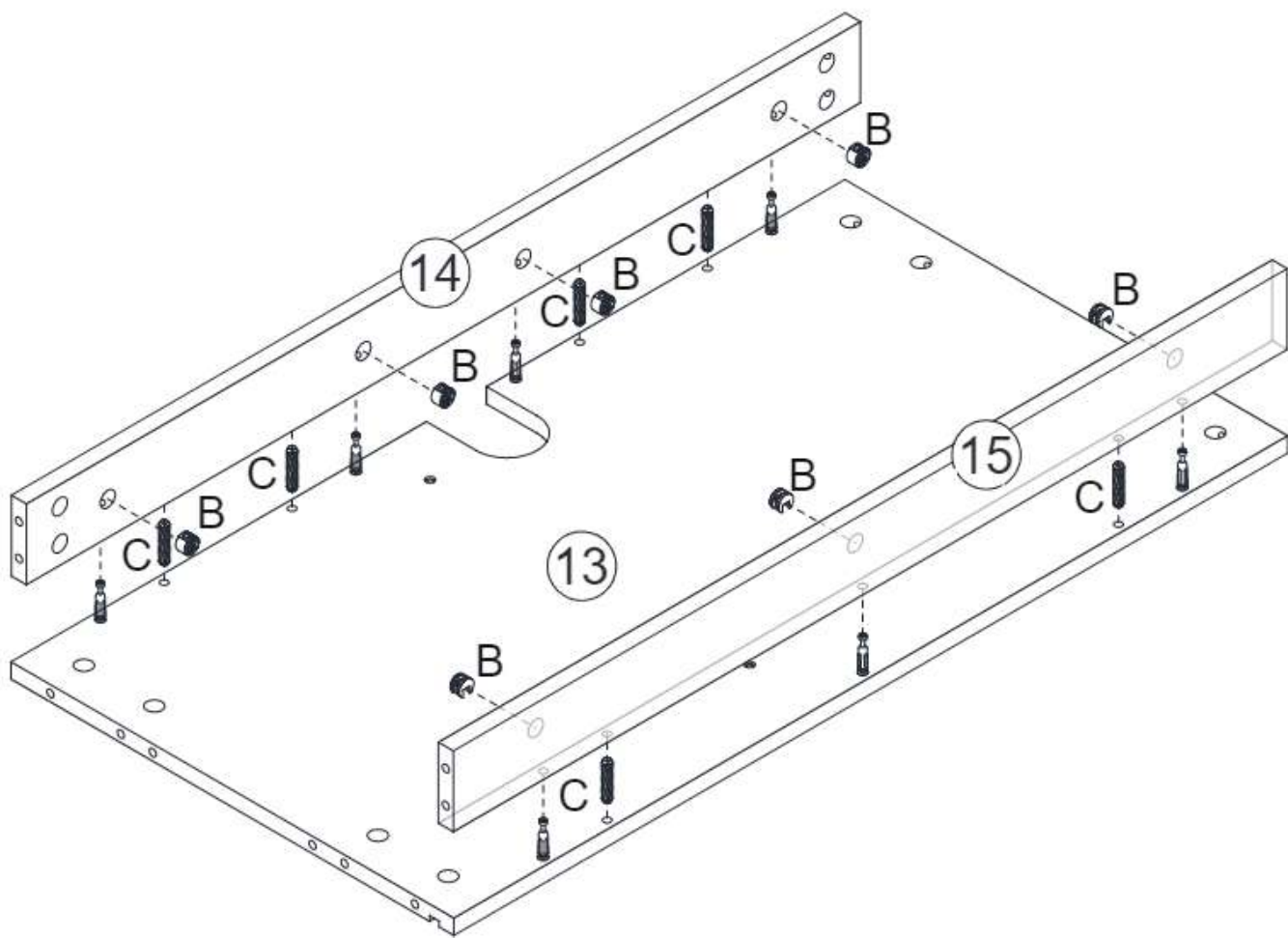


9

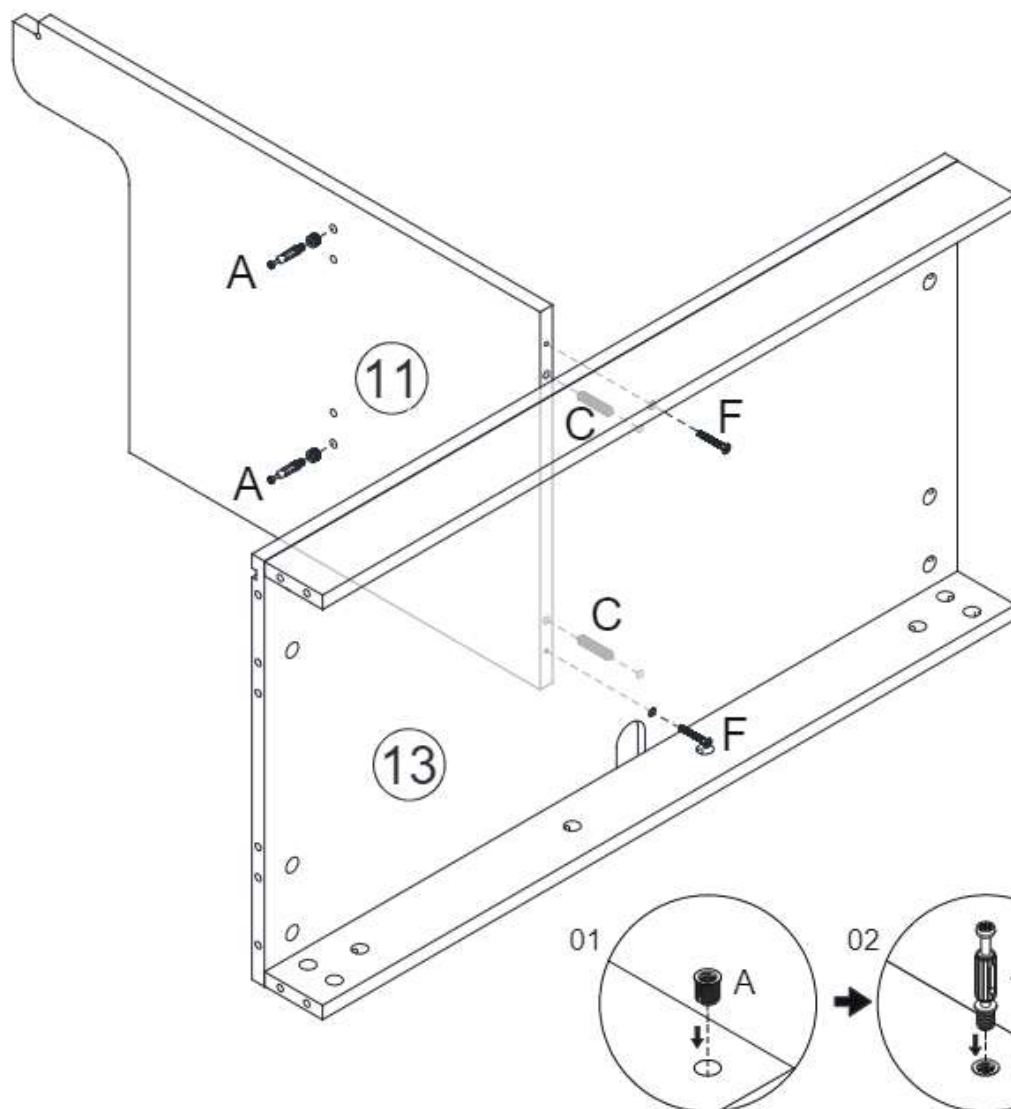
B  x7





C  x6

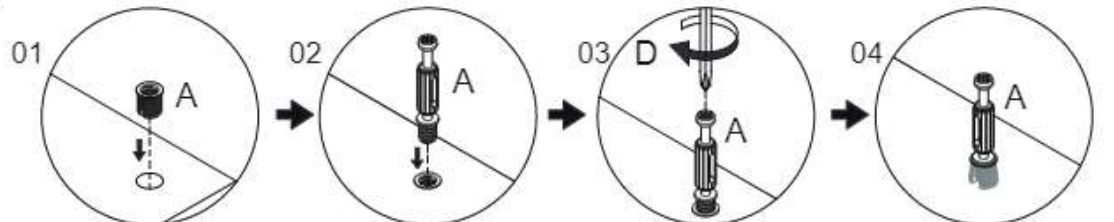
D  x1



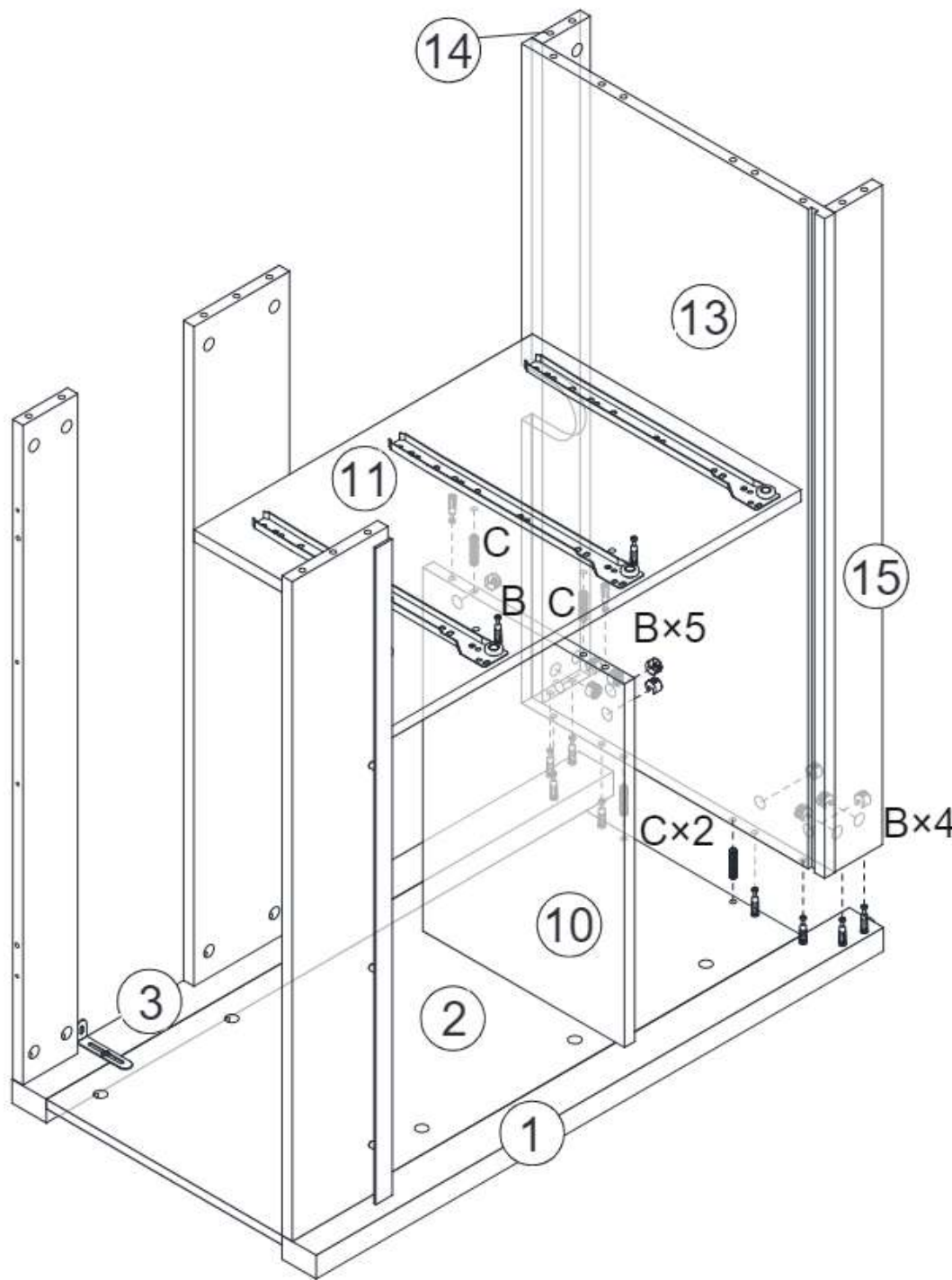
10






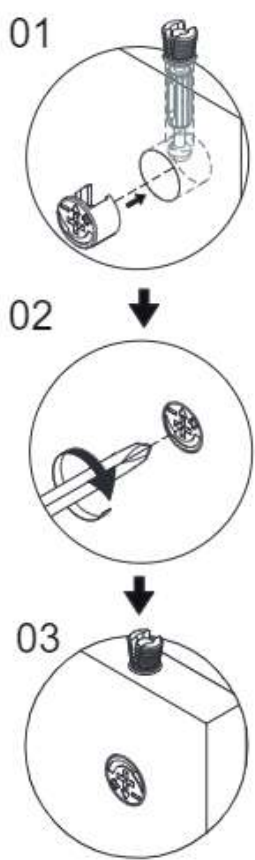
- A  x2
- D  x1
- C  x2
- F  x2



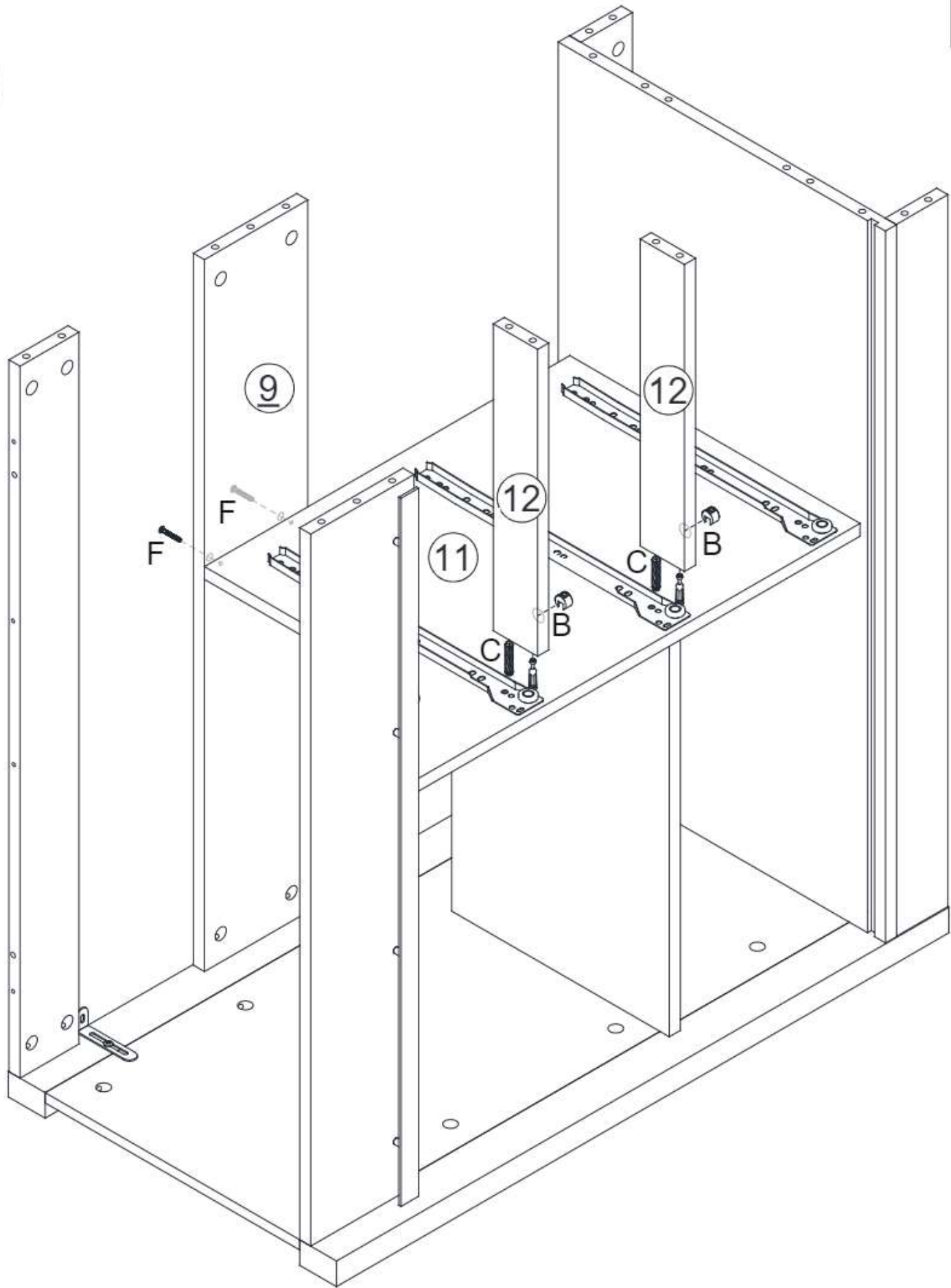
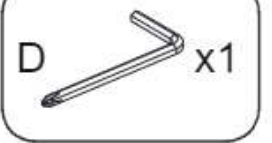
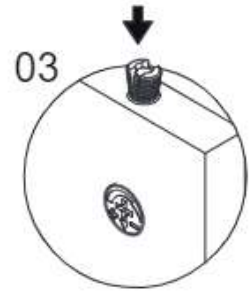
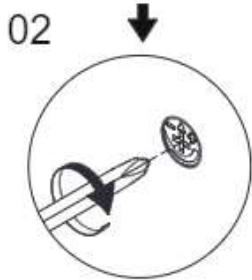
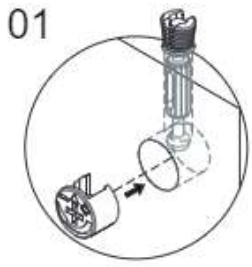
11



- B  x10
- C  x4
- D  x1

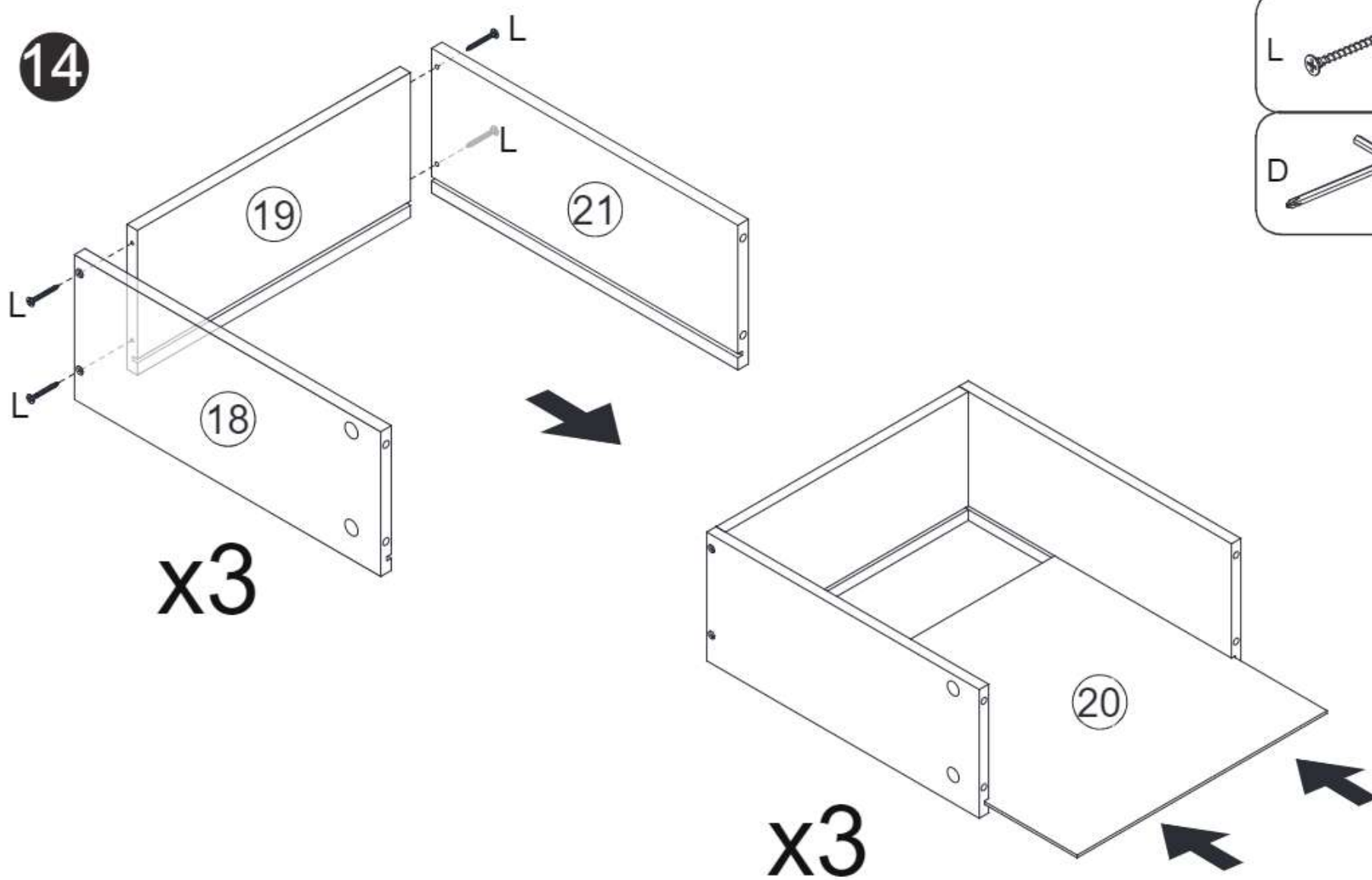


# 12

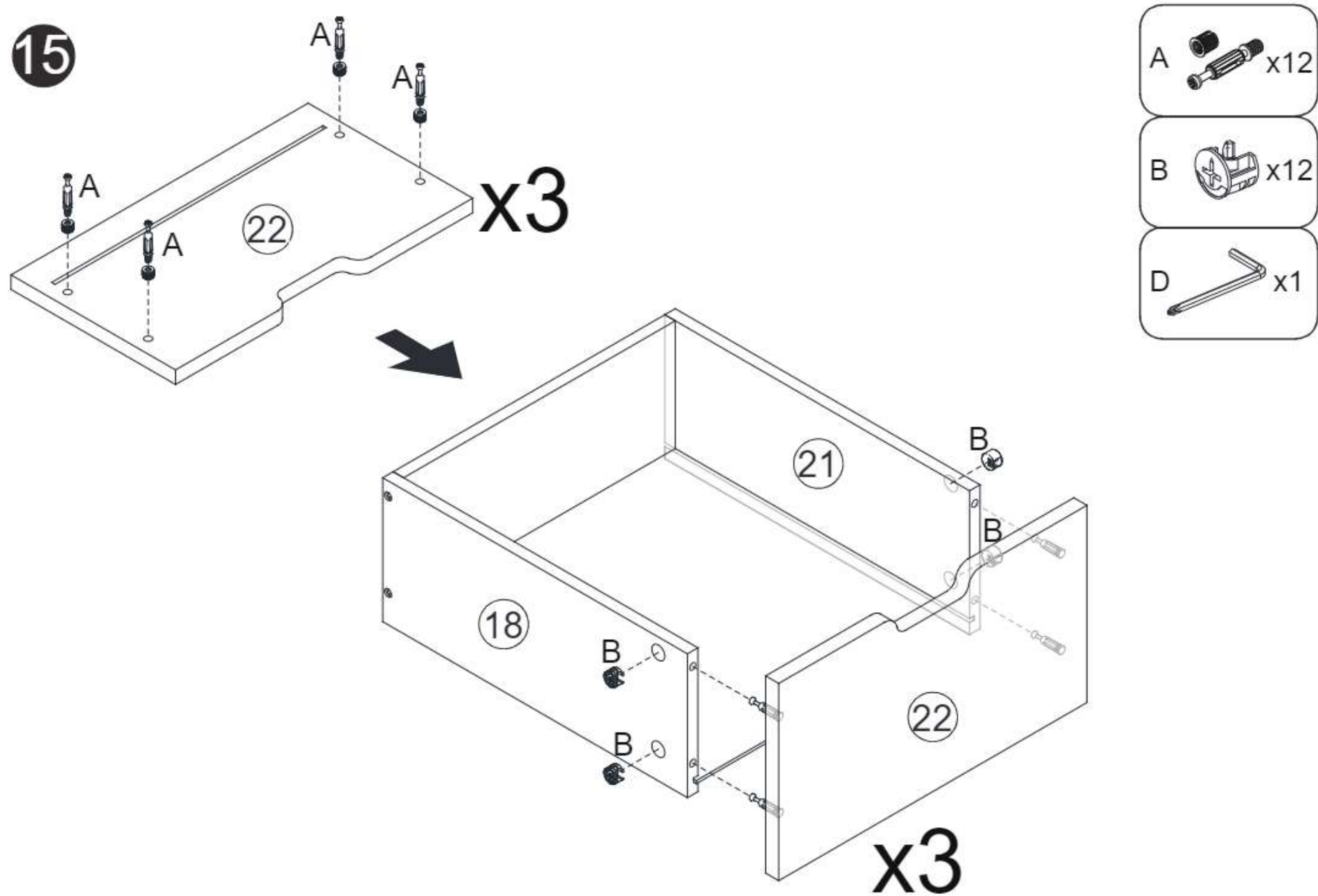




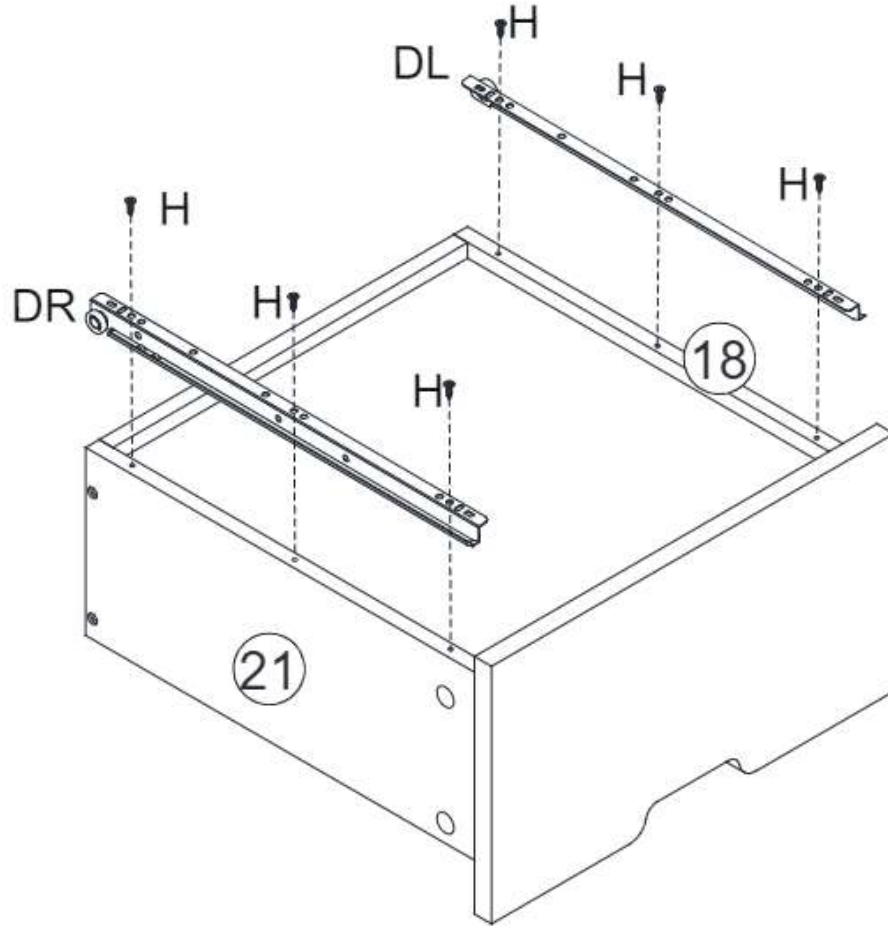
14







15

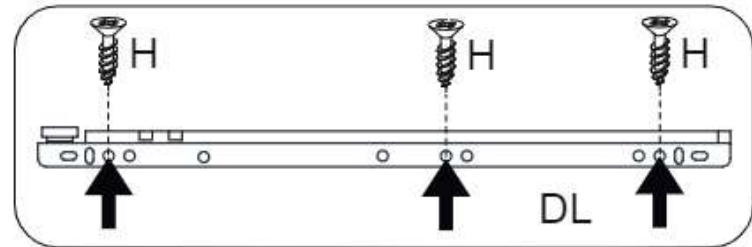
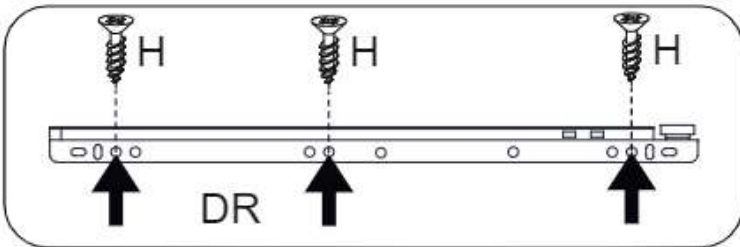


16

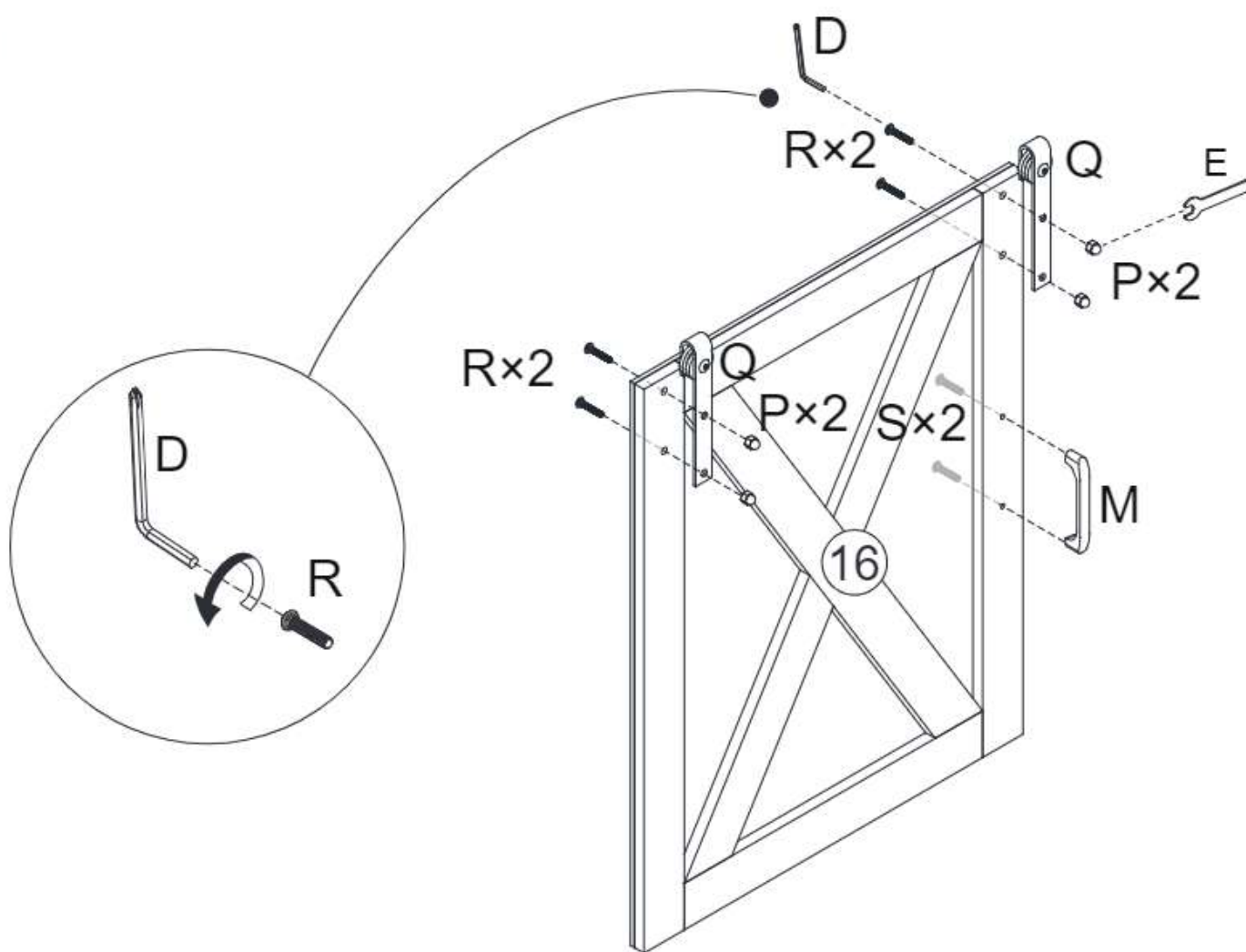









x3

- H  x18
- D  x1
- DL  x3
- DR  x3

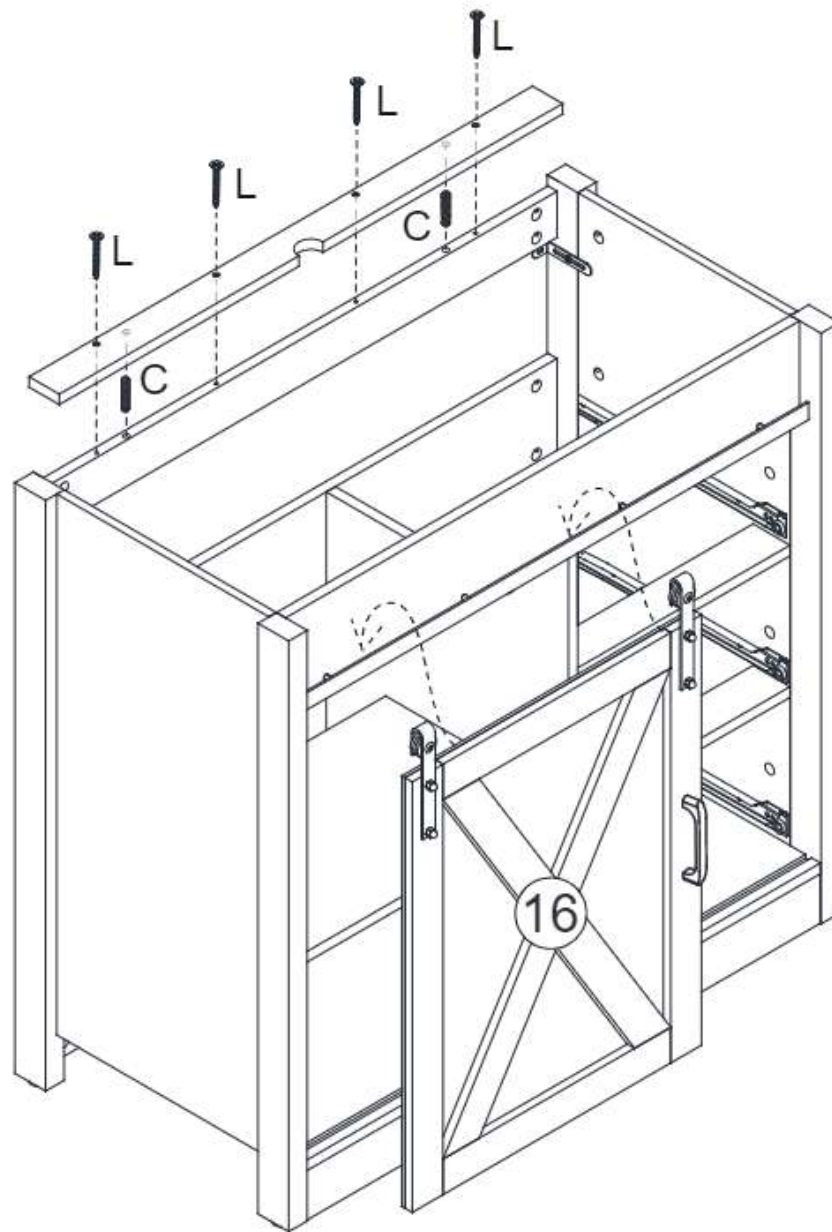





17



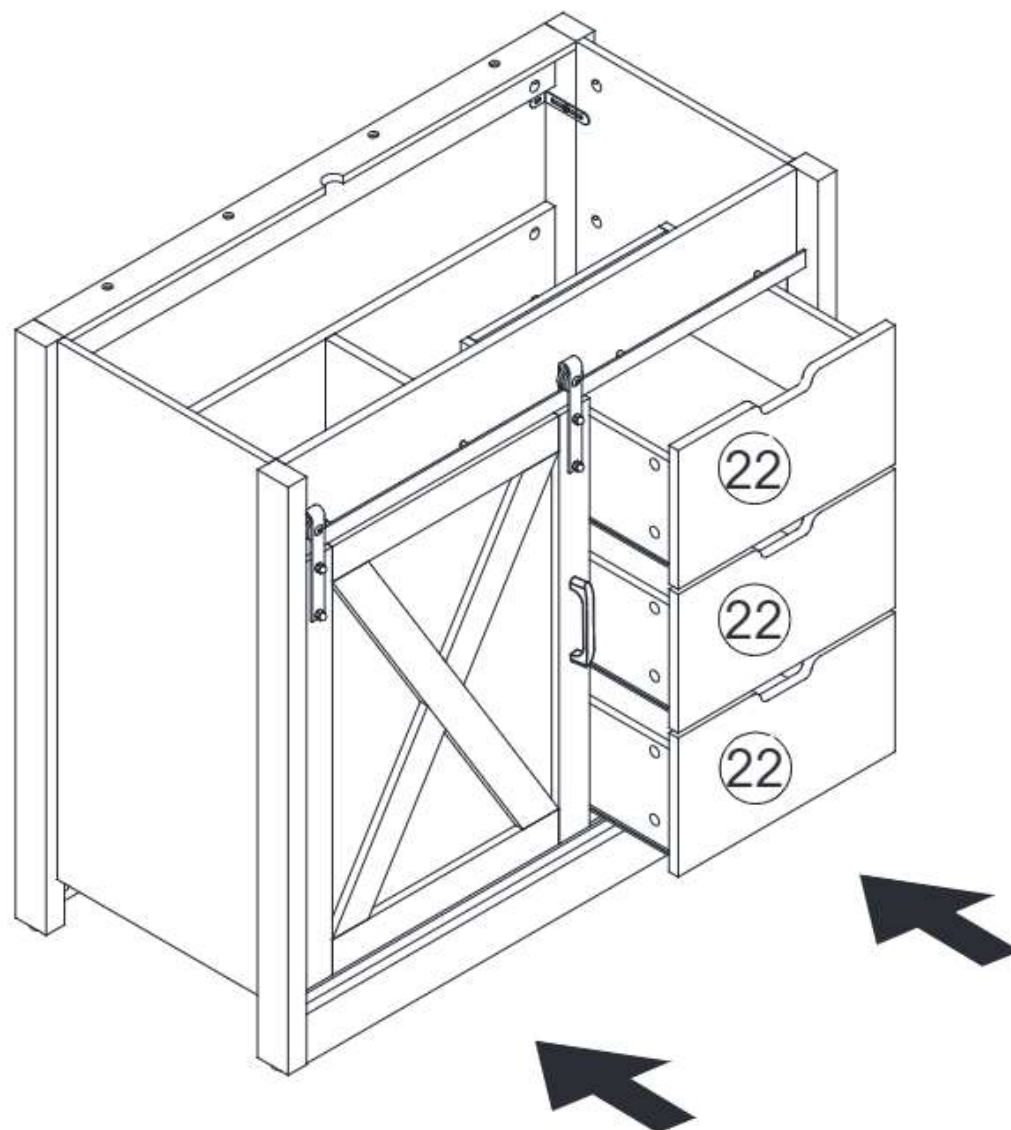
- P  x4
- R  x4
- D  x1
- E  x1
- M  x1
- S  x2
- Q  x2

18

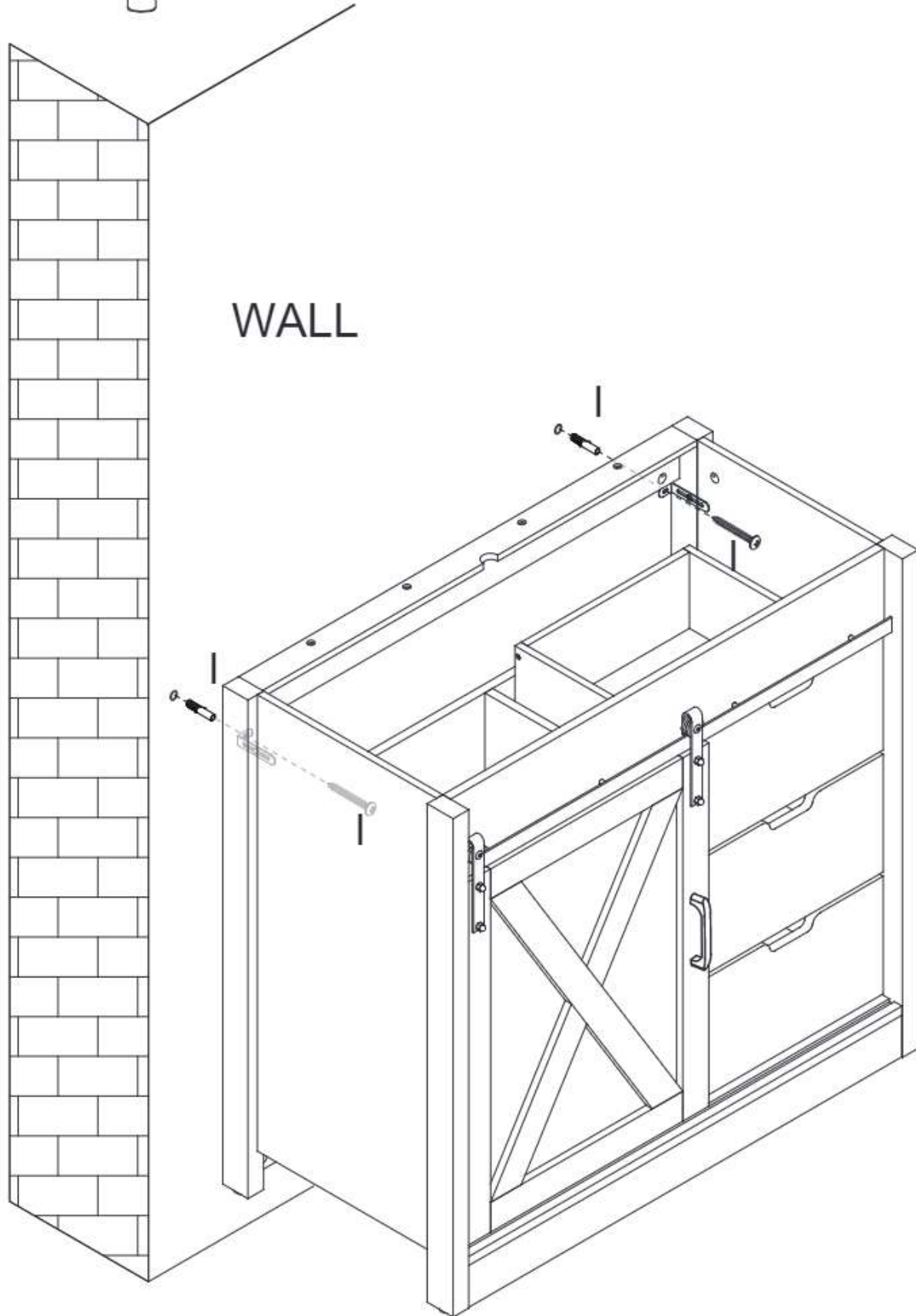
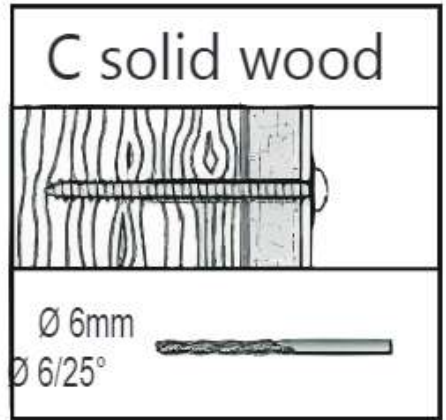
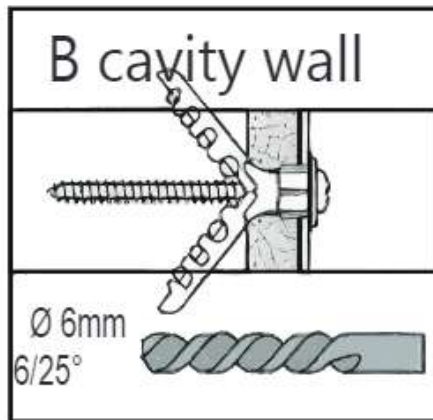
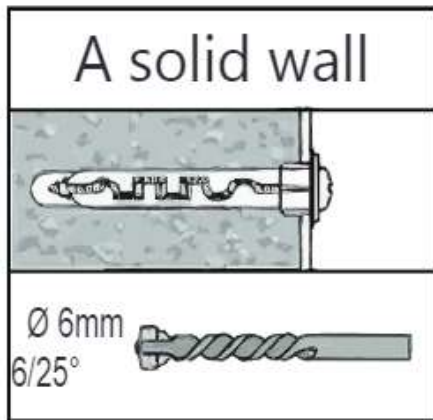
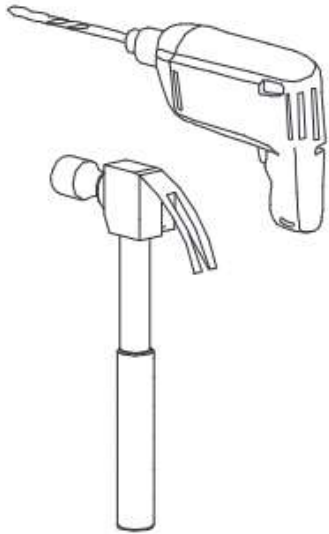
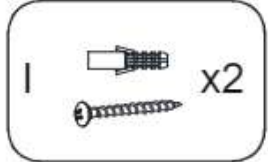
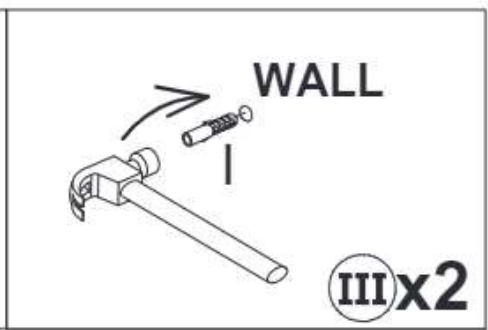
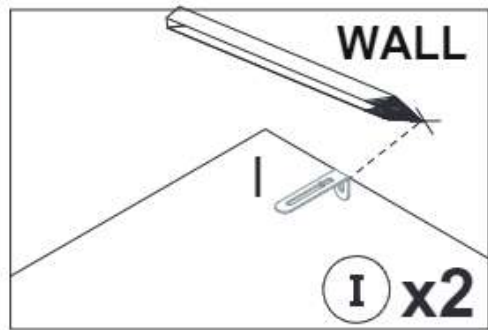


- L  x4
- C  x2
- D  x1

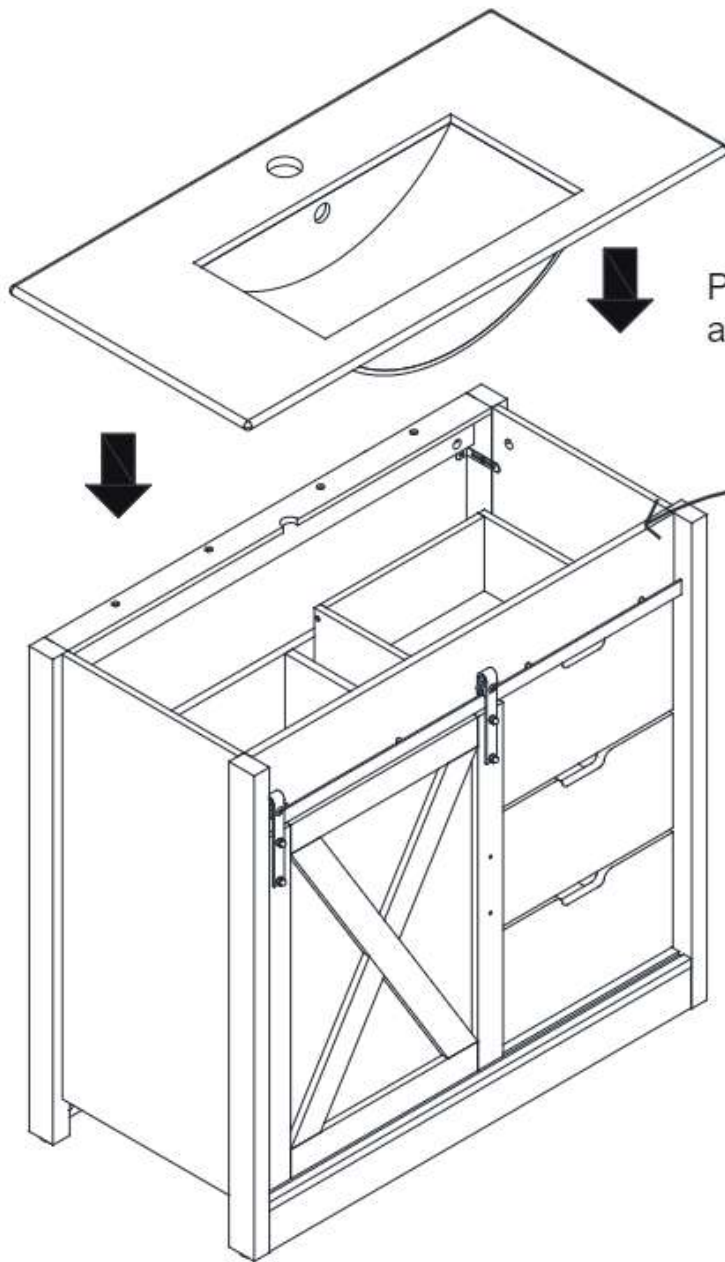
19



20



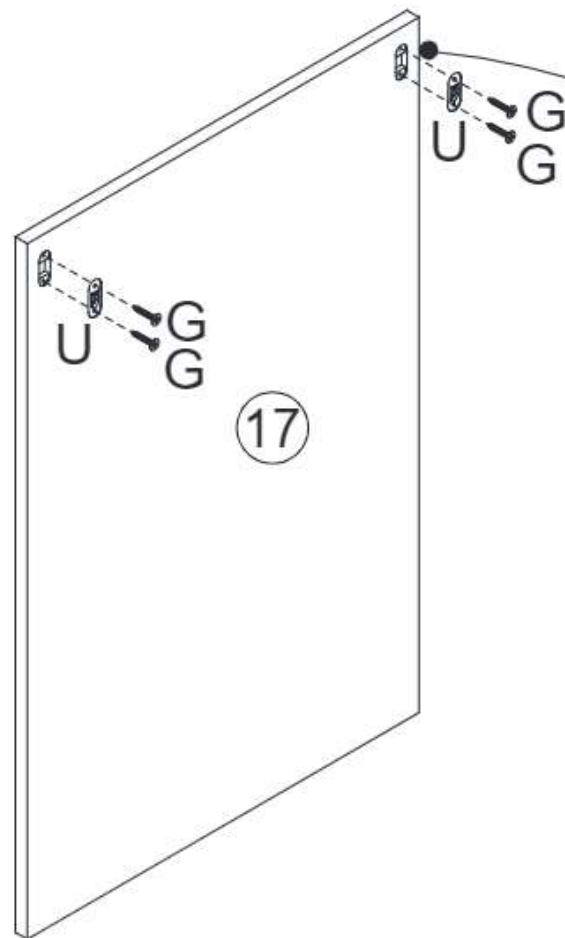
21






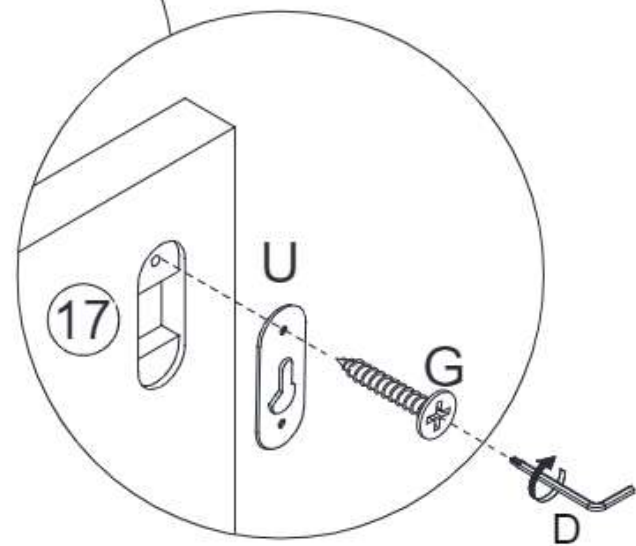
Please complete the installation of the faucet and basin first, and then place the basin on the cabinet

Note: After installing the sink, you need to apply waterproof glue to fix the circle, and you need to wait patiently for 10 hours for the glue to dry.

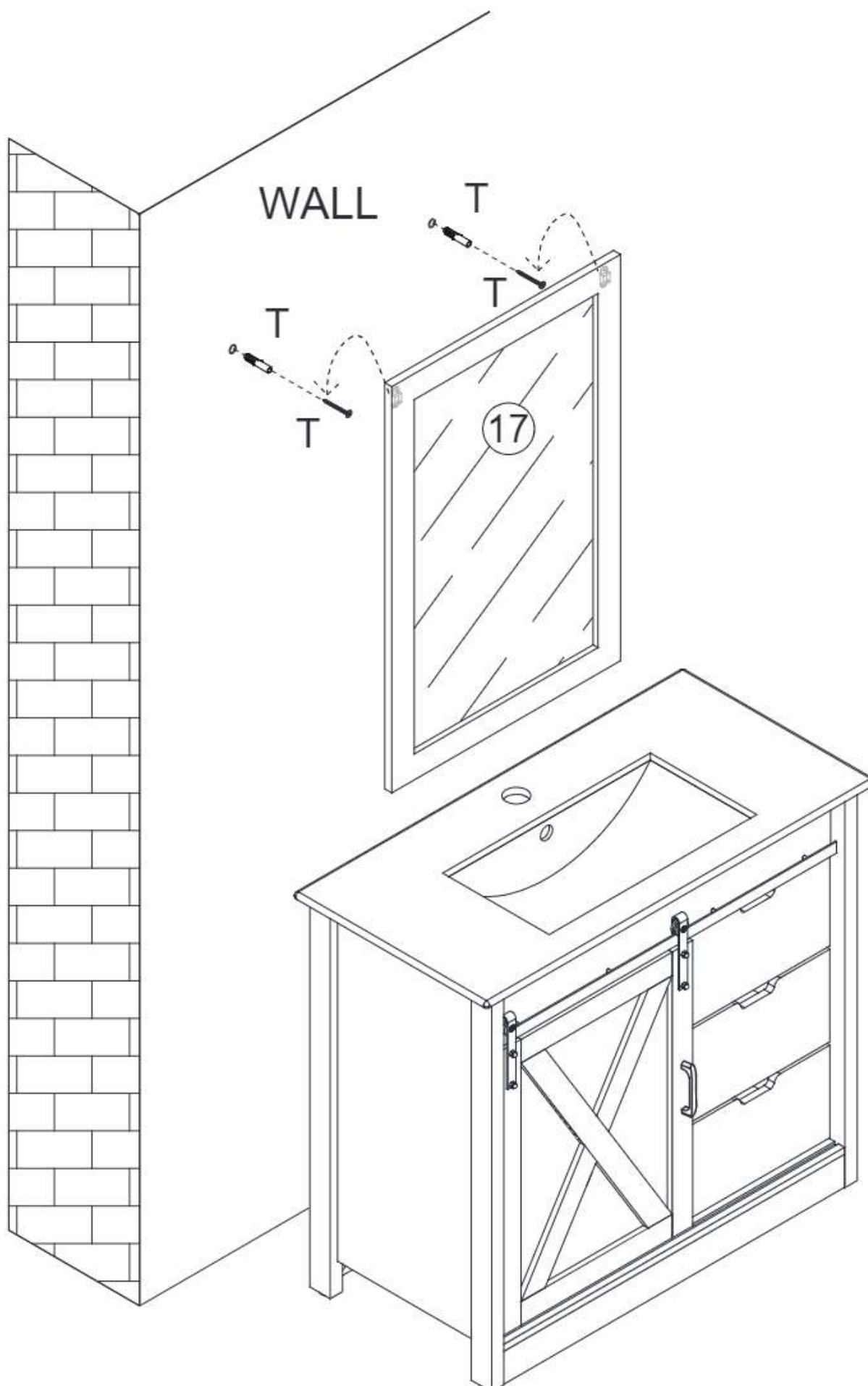
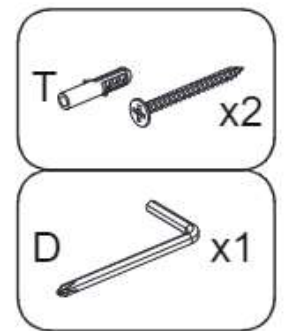
22




- G  x4
- D  x1
- U  x2

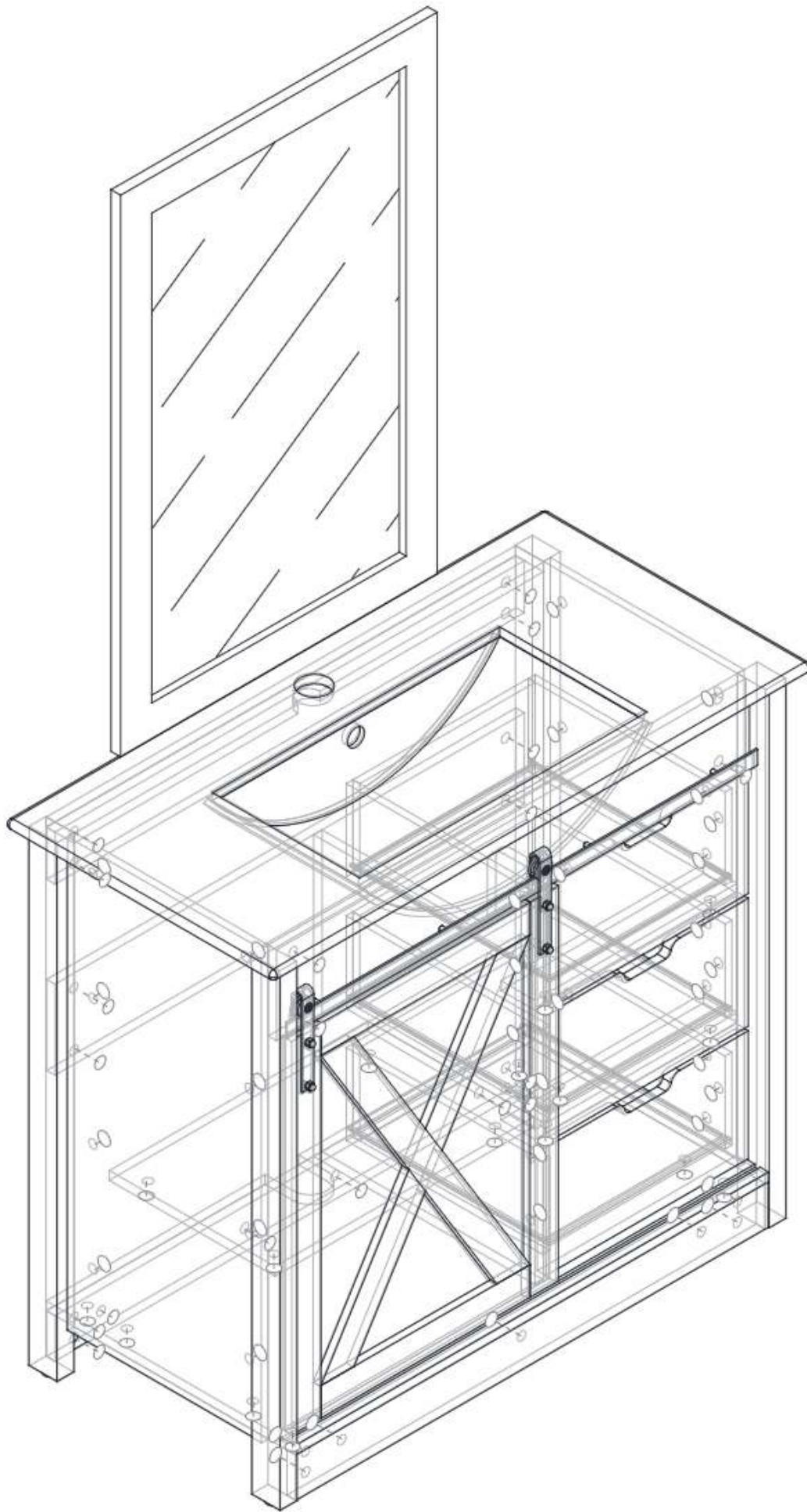


23



24

J  x71



Jx71

Attach a hole sticker to the eccentric wheel

