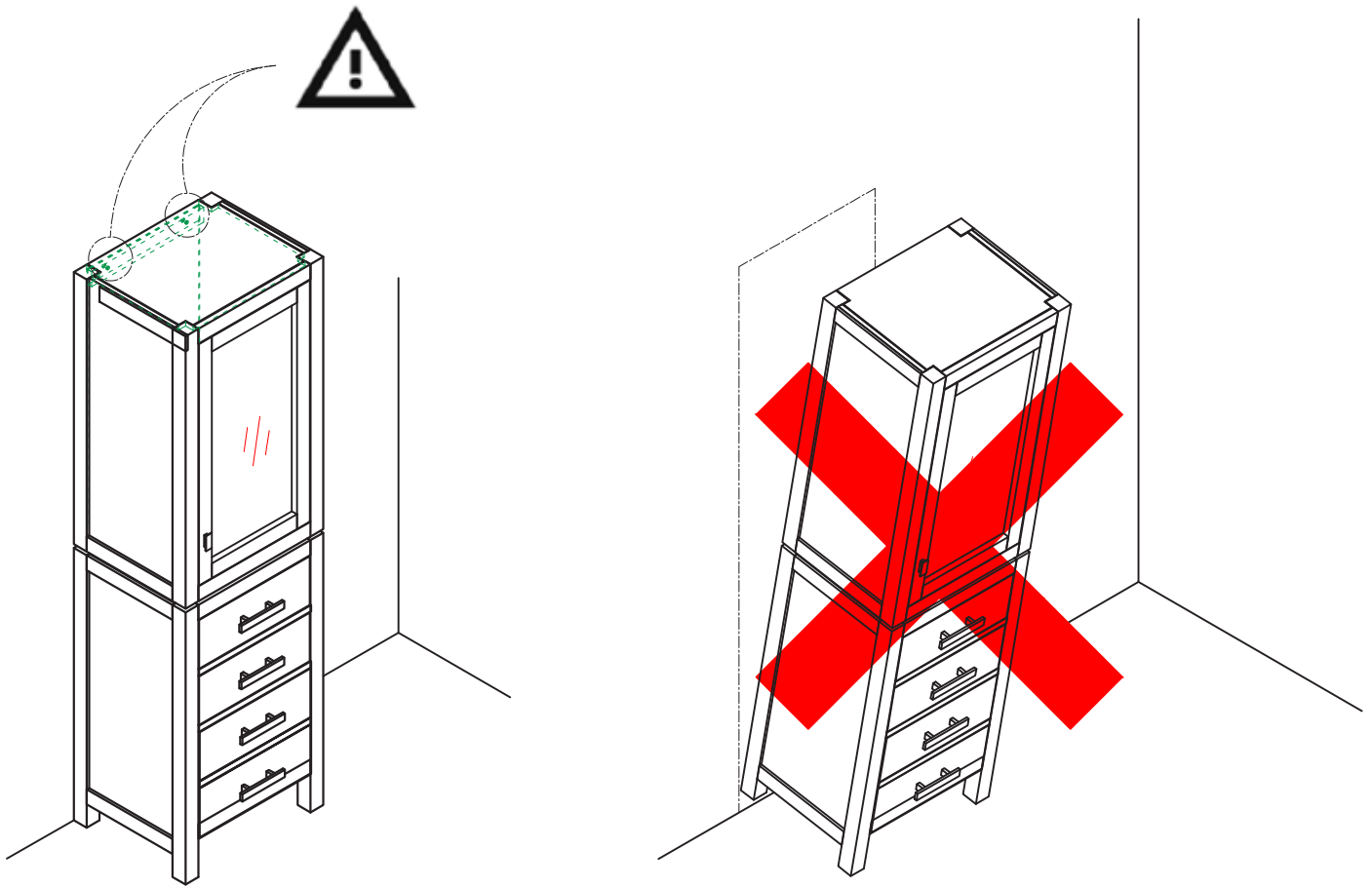


Linear Cabinet Installation Guide

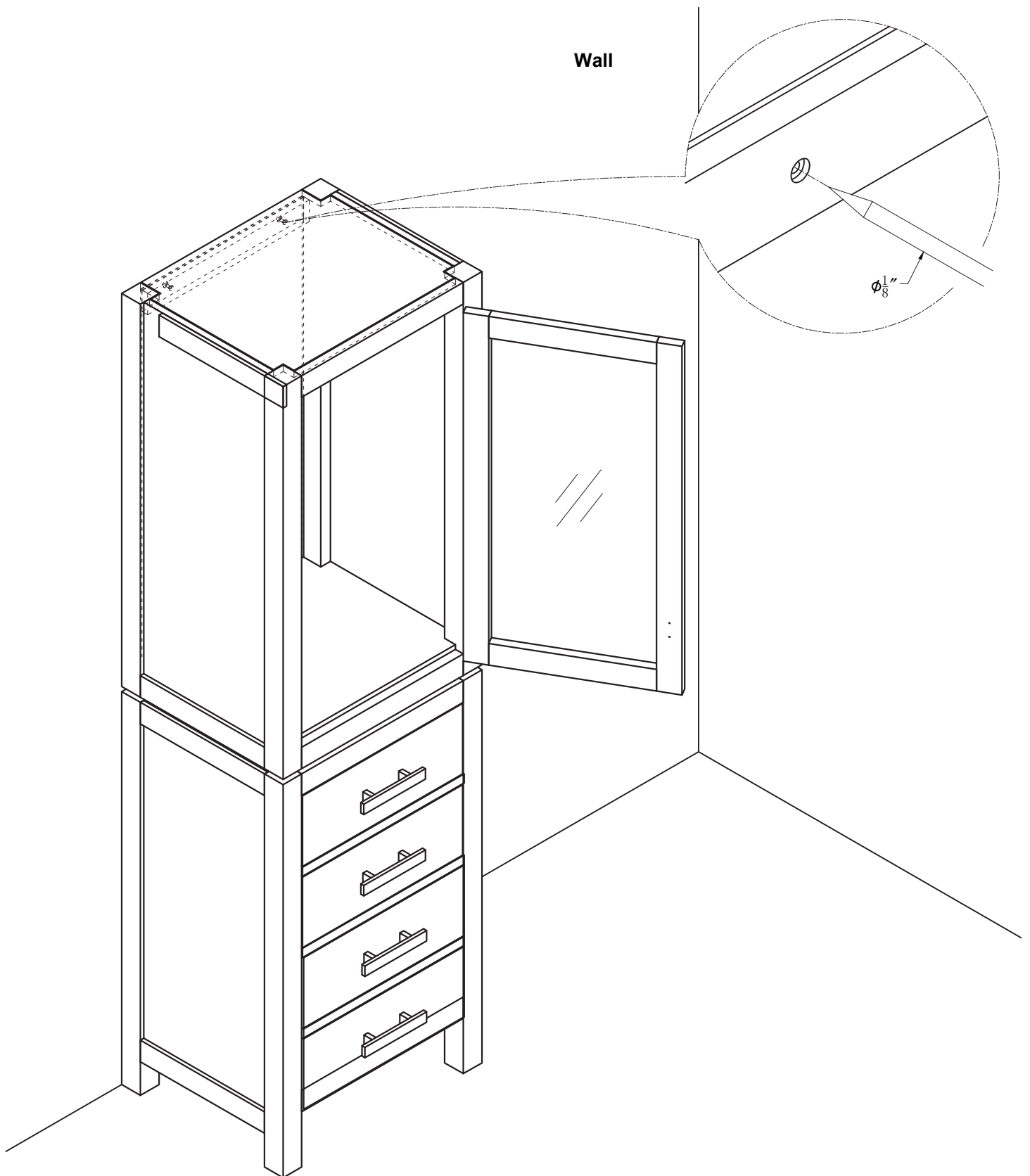


WARNING

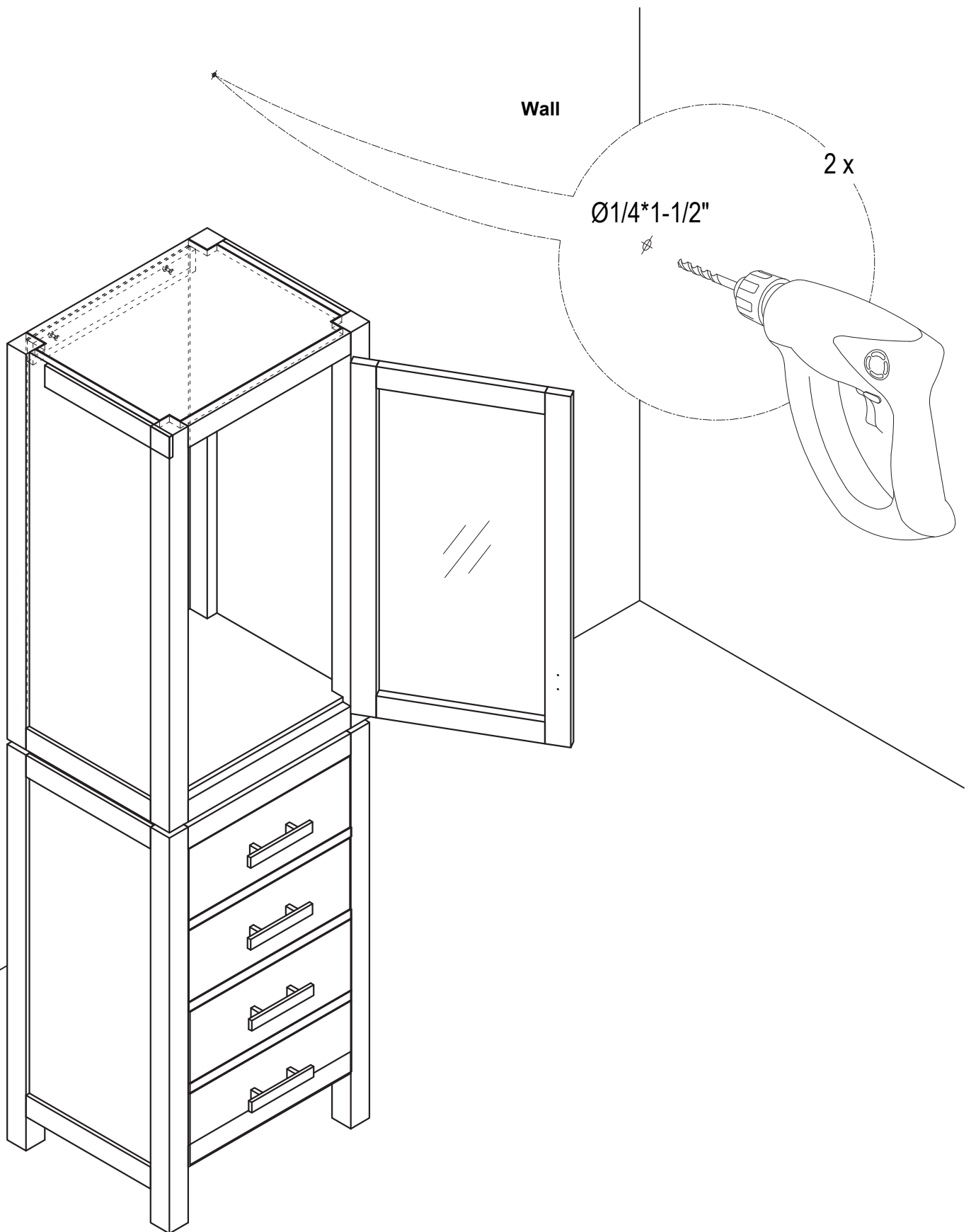
Serious or fatal crushing injuries can occur from furniture tip-over. ALWAYS secure this furniture to the wall using tip-over restraints. To further reduce the risk of serious injury and death from tip-overs:

- Place heaviest items in the lower drawer.
- Do not set TVs or other heavy objects on top of this product.
- Never let children climb or hang on drawers, doors, or shelves.

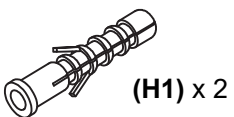
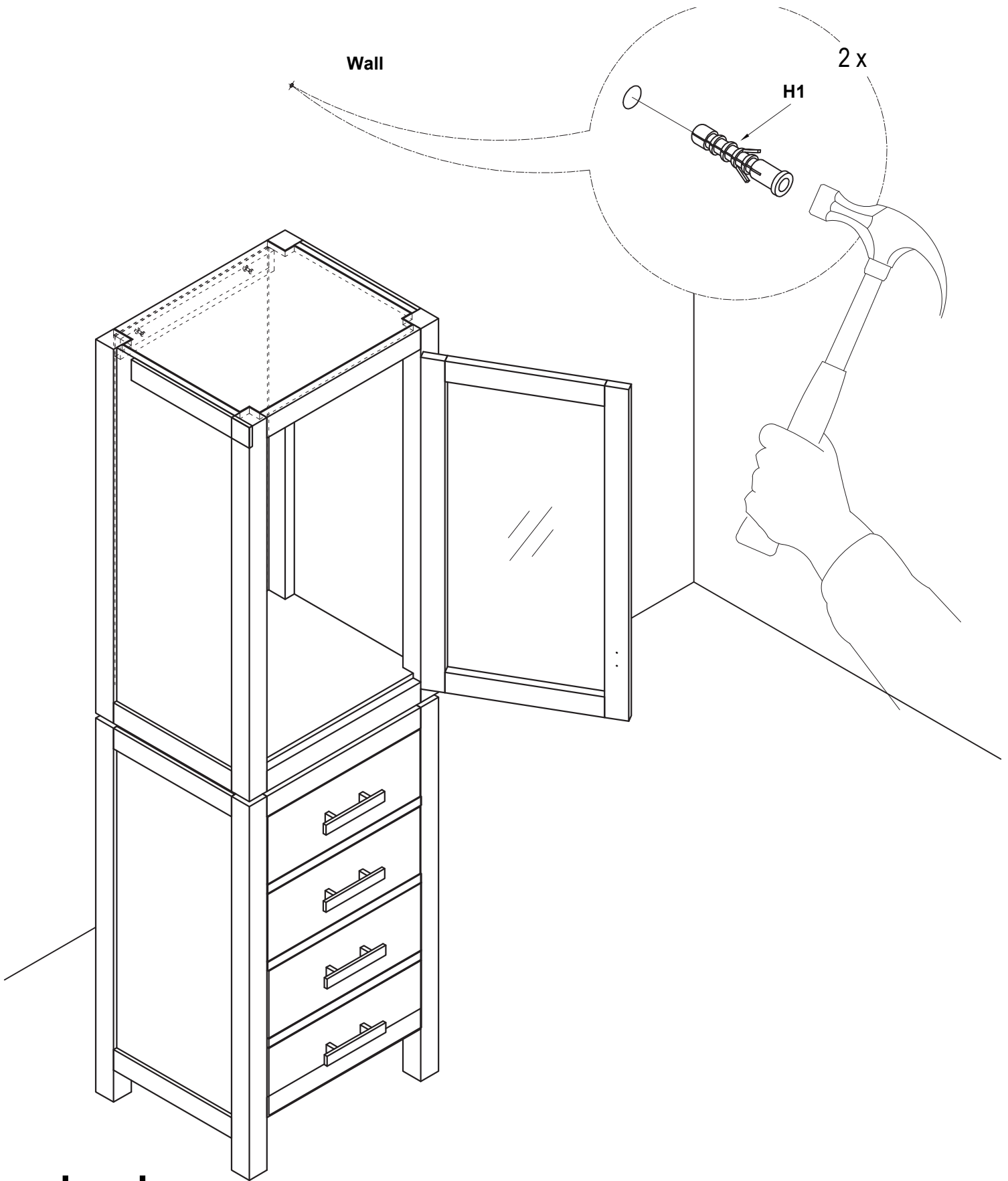
Linear Cabinet Installation Guide



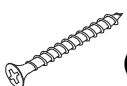
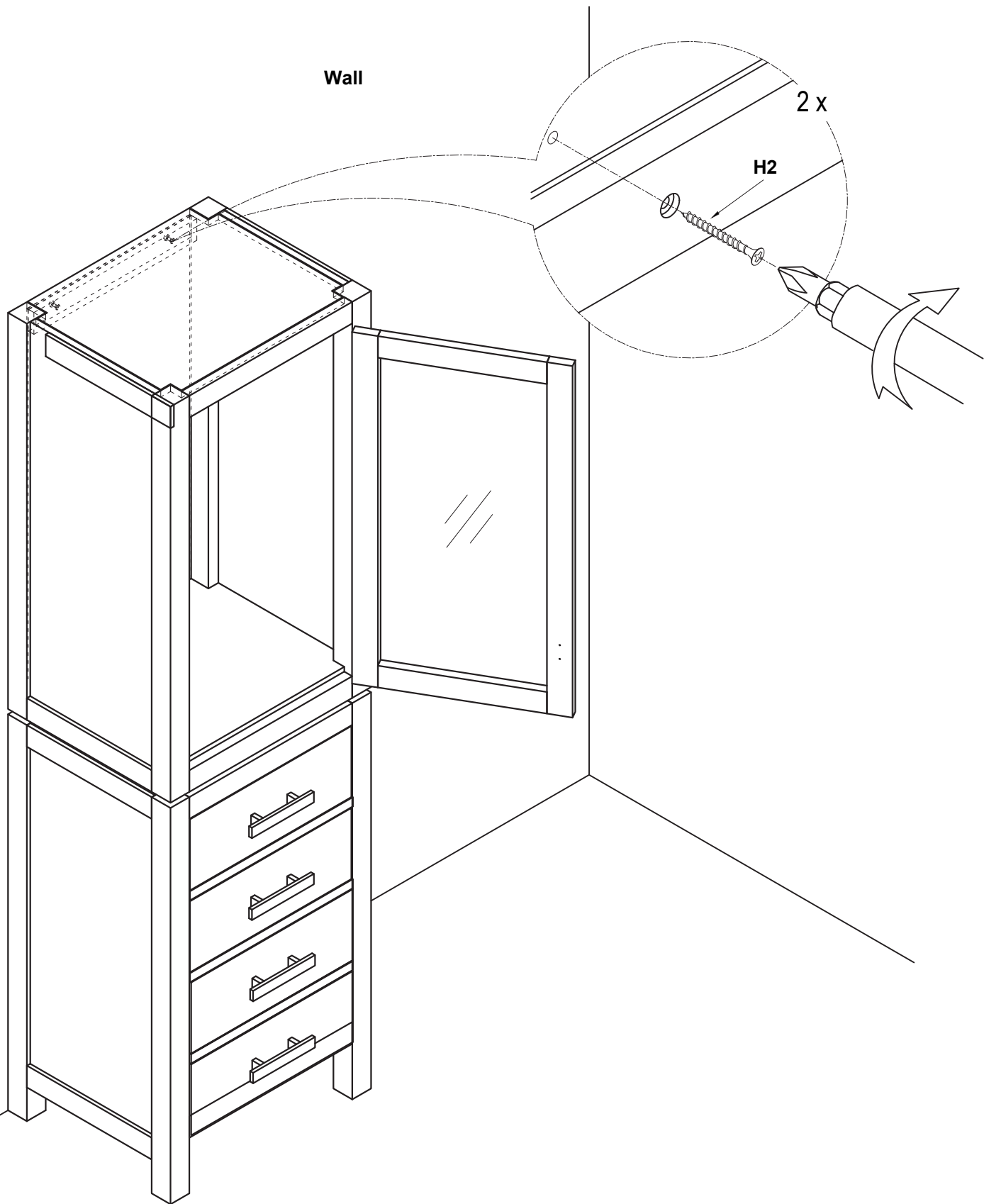
Linear Cabinet Installation Guide



Linear Cabinet Installation Guide

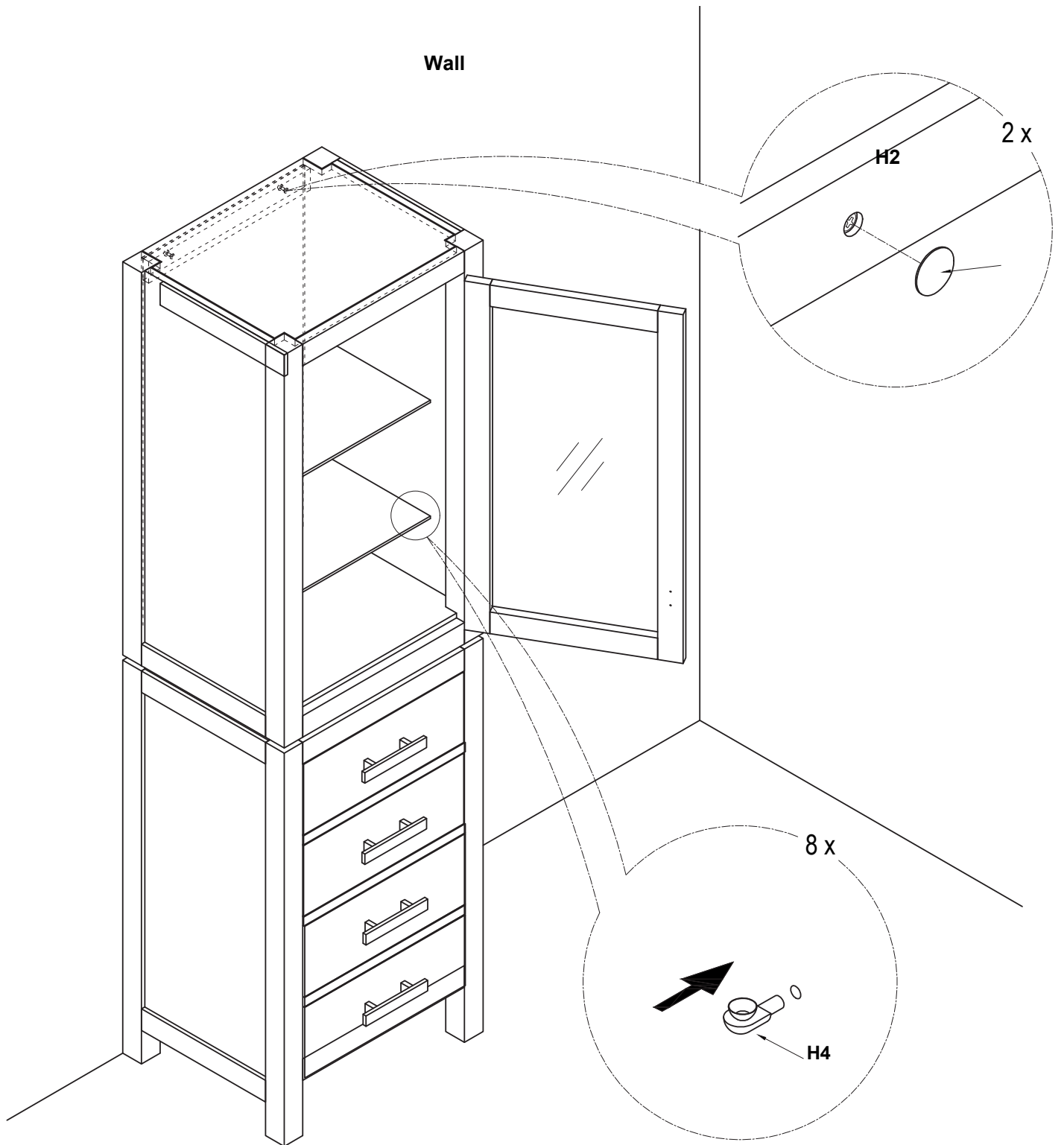


Linear Cabinet Installation Guide



(H2) x 2

Linear Cabinet Installation Guide



hardware



(H3) x 2



(H4) x 8

Thank you for choosing products. Your safety is our top priority, and we hope these instructions help you use our products safely and effectively.