




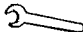
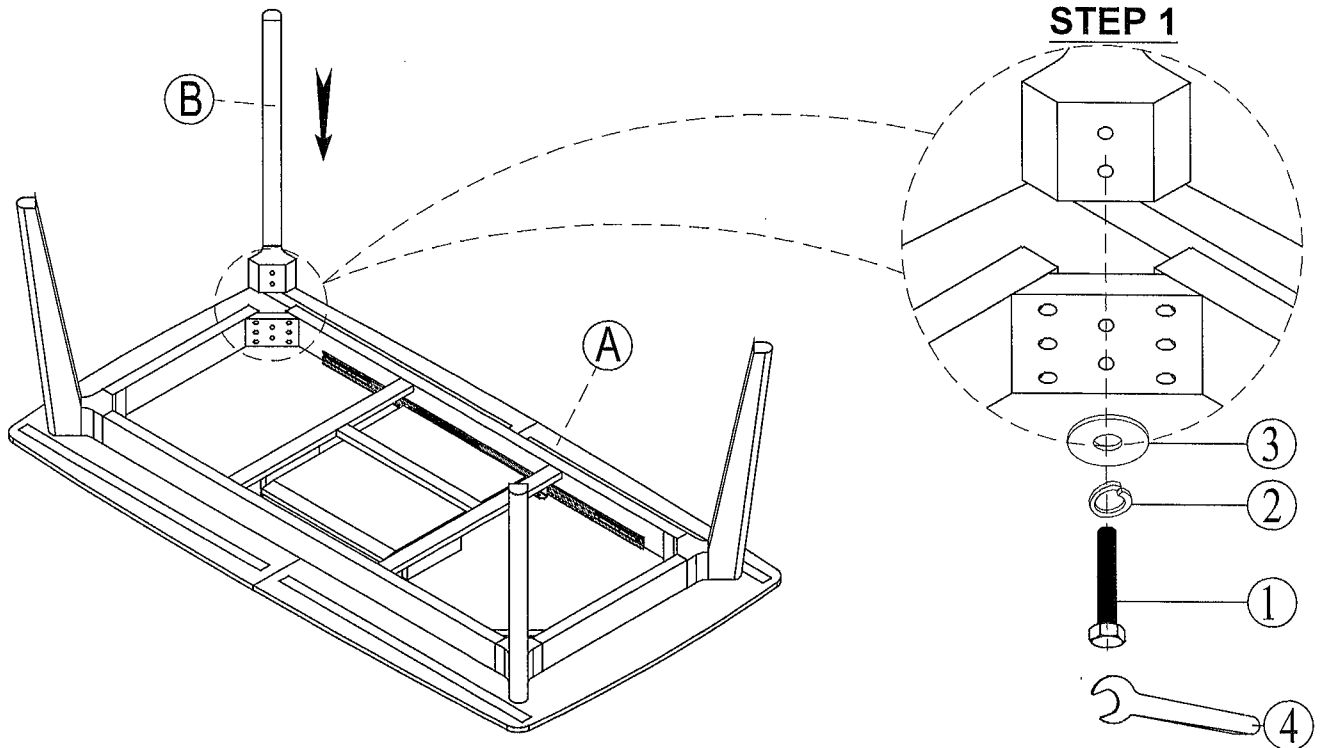


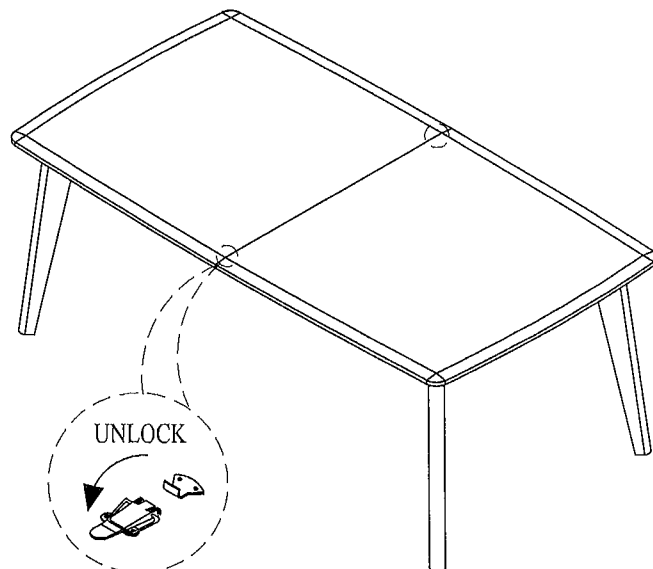
ASSEMBLY INSTRUCTIONS

NO.	Parts List		Q' TY
A		Table	1
B		Legs	4

NO.	Parts List		Q' TY
1		5/16"x 2" 3/8 Bolts	8
2		14 mm x 1.5 mm Lock Washers	8
3		22 mm x 1.5 mm Flat Washers	8
4		Wrench	1



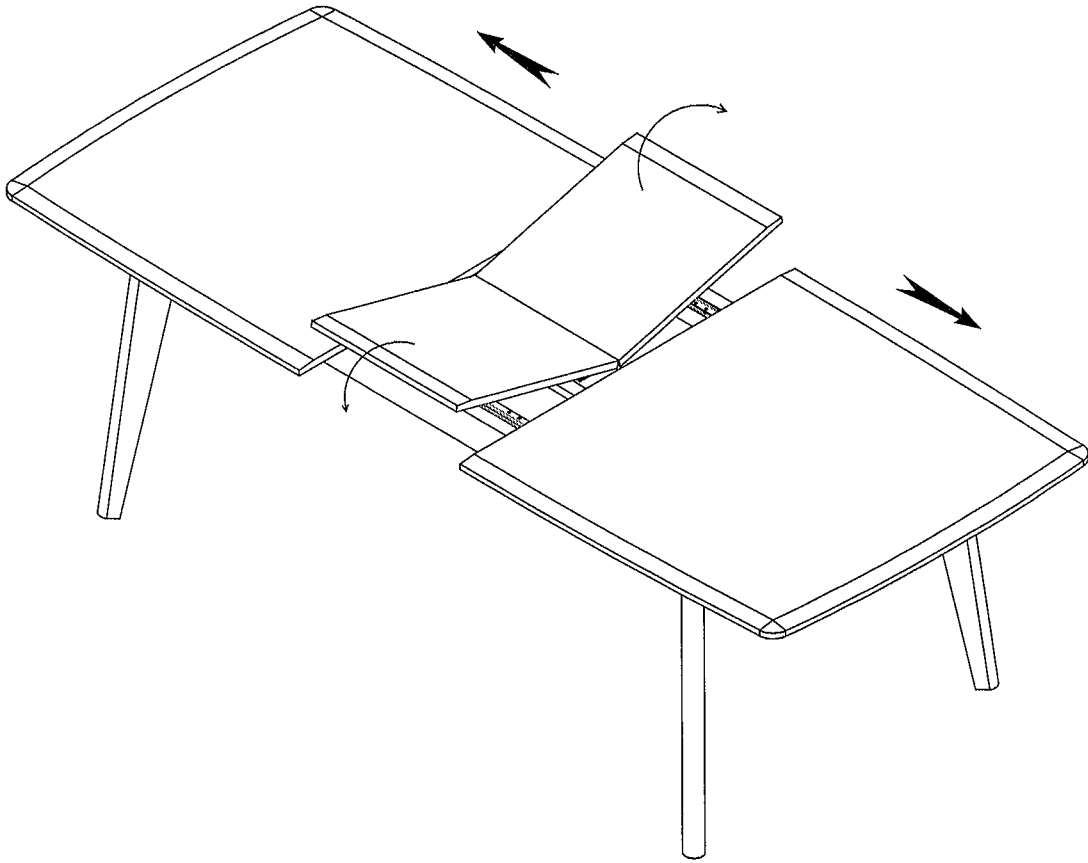
STEP 2



Important Note

Need 2 adult to flip over the assembled table. Do not lean any weight on table leg during the flipping process

STEP 3



STEP 4

