

FLUORESCENT FLUSH MOUNT FIXTURE ASSEMBLY & INSTALLATION INSTRUCTIONS

Please read carefully and save these instructions, as you may need them at a later date.

CAUTION/ATTENTION

Turn off the main power at the circuit breaker before installing the fixture, in order to prevent possible shock. Couper le courant au niveau du disjoncteur avant d'installer la lampe pour éviter tout risque de secousse électrique.

GENERAL / GÉNÉRALITÉS

All electrical connections must be in accordance with local and national electrical code (N.E.C) standards. If you are unfamiliar with proper electrical wiring connections obtain the services of a qualified electrician. Tous les branchements électrique doivent respecter les normes du Code National de l'Électricité. Si vous ne savez pas comment installer correctement des fils électriques, appelez un électricien professionnel.

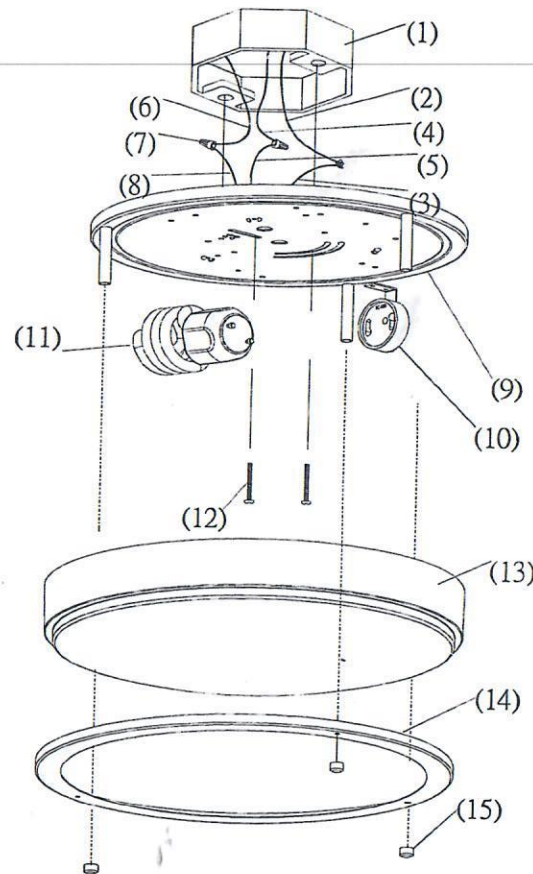
Remove the fixture and the mounting package from the box and make sure that no parts are missing by referencing the illustrations on the installation instruction.

ASSEMBLY AND INSTALLATION

1. Turn off the power.
2. Remove the decorative nut (15) from the metal ring (14). Remove the metal ring (14) and acrylic lens (13) from the fixture pan (9).
3. Pull the supply wires (4) & (6) and house ground wire (2) out from the outlet box (1).
4. Make the wiring connections: connect the house ground wire (2) to the fixture ground wire (3); connect the white supply wire (4) to the white fixture wire (5); connect black supply wire (6) to the black fixture wire (8) using wire connectors (7). Carefully tuck all wires back into the outlet box (1). Attacher le cable d'alimentation noir au cable noir de la lampe, et le Cable d'alimentation blanc au cable blanc de la lampe à l'aide des connecteurs, Raccorder le fil de terre de la lampe au fil de terre de l'alimentation en utilisant un connecteur.
5. Locate the fixture pan (9) over the outlet box (1), put the Mounting Screws (12) through the slots on the fixture pan (9). Then secure the mounting screws (12) to the outlet box (1).

6. Now you are ready to install the lamp. Put Lamp (11) into the GU24 lamp socket (10). Do not exceed recommended maximum wattage.
7. Place the acrylic lens (13) over the fixture pan (9). Place the metal ring (14) over the acrylic lens (13) lining up the holes with the fixture pan (9) posts and securing it with the three decorative nuts (15).

INSTALLATION IS NOW COMPLETED



1. OUTLET BOX
2. HOUSE GROUND WIRE
3. FIXTURE GROUND WIRE
4. WHITE SUPPLY WIRE
5. WHITE FIXTURE WIRE
6. BLACK SUPPLY WIRE
7. WIRE CONNECTOR
8. BLACK FIXTURE WIRE
9. FIXTURE PAN
10. SOCKET
11. LAMP
12. MOUNTING SCREW
13. ACRYLIC LENS
14. METAL RING
15. DECORATIVE NUT