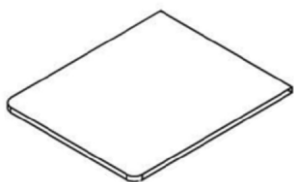


READ AND SAVE THIS INSTRUCTION FOR FUTURE USE

# ASSEMBLY INSTRUCTION

① x 1



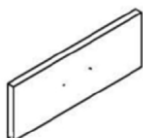
② x 1



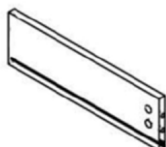
③ x 1



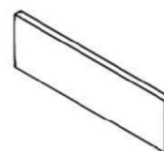
④ x 2



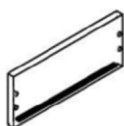
⑤ x 2



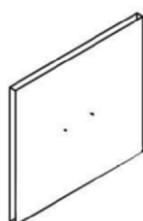
⑥ x 2



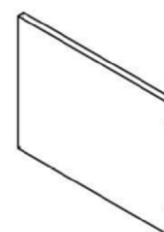
⑦ x 2



⑧ x 1



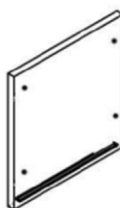
⑨ x 1



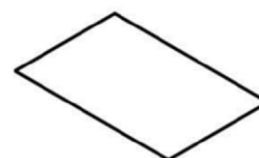
⑩ x 1



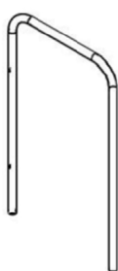
⑪ x 1



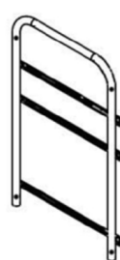
⑫ x 3



⑬ x 1



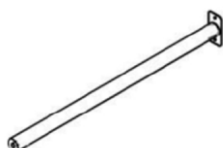
⑭ x 1



⑮ x 1



⑯ x 2



⑰ x 2



⑳ x 6

㉑ x 3



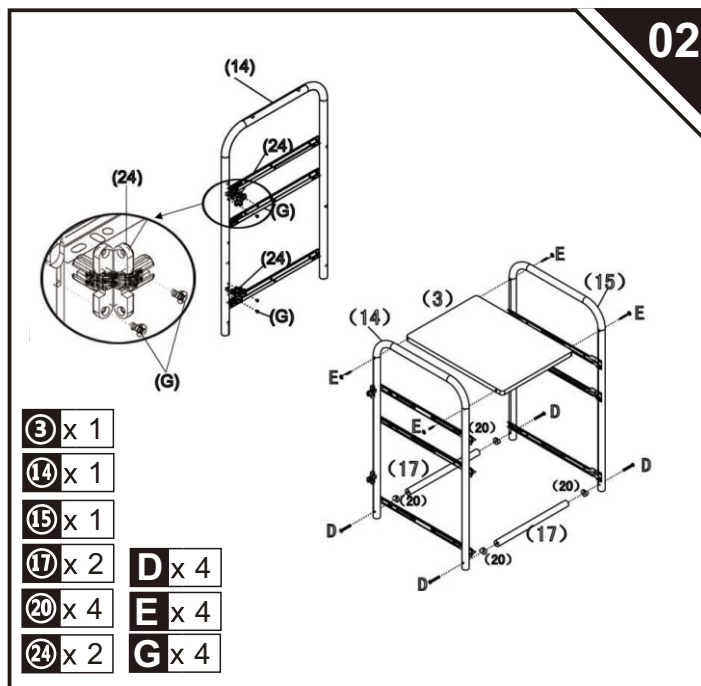
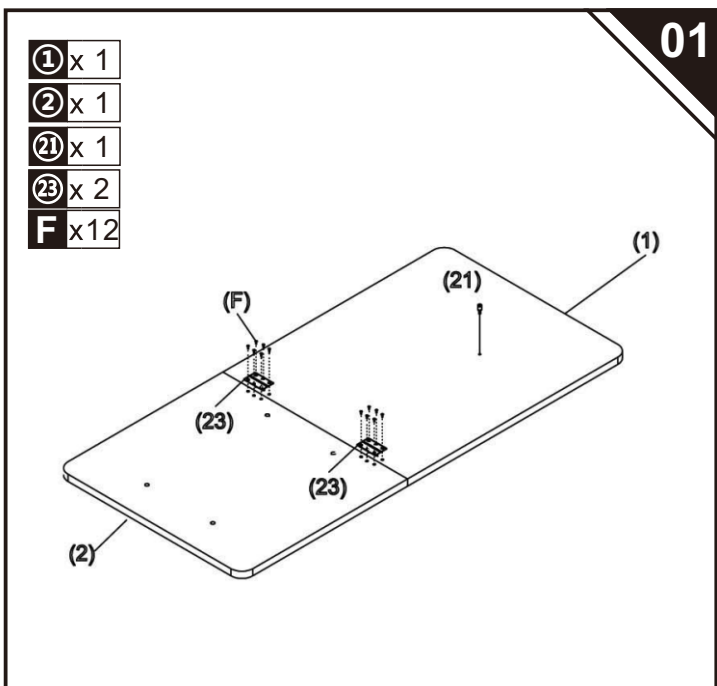
㉒ x 3

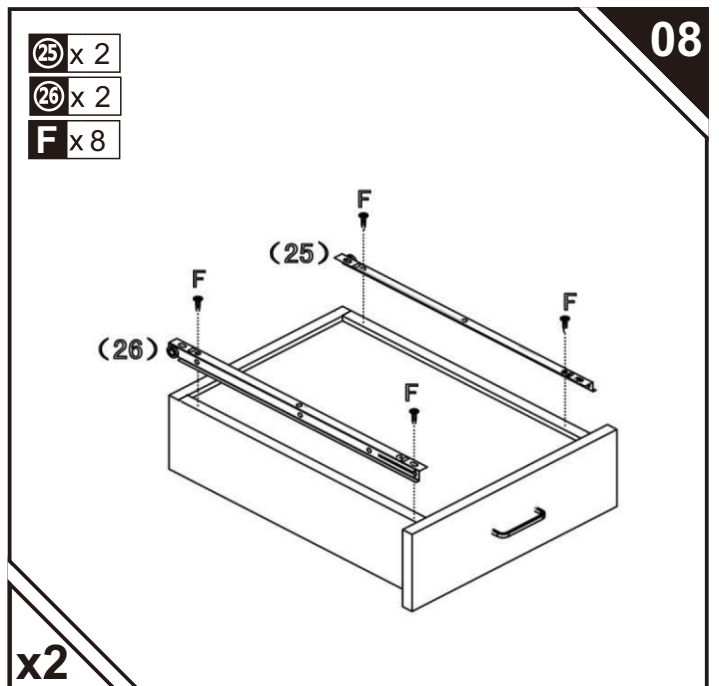
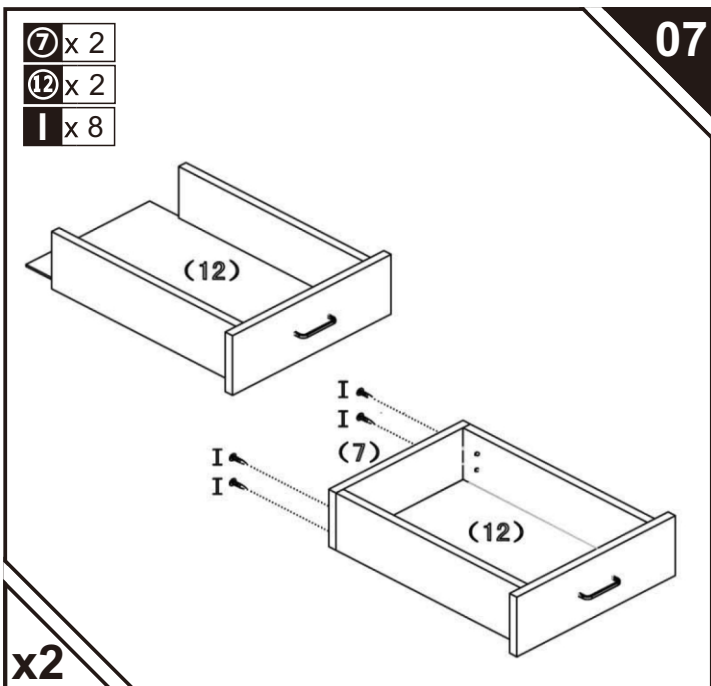
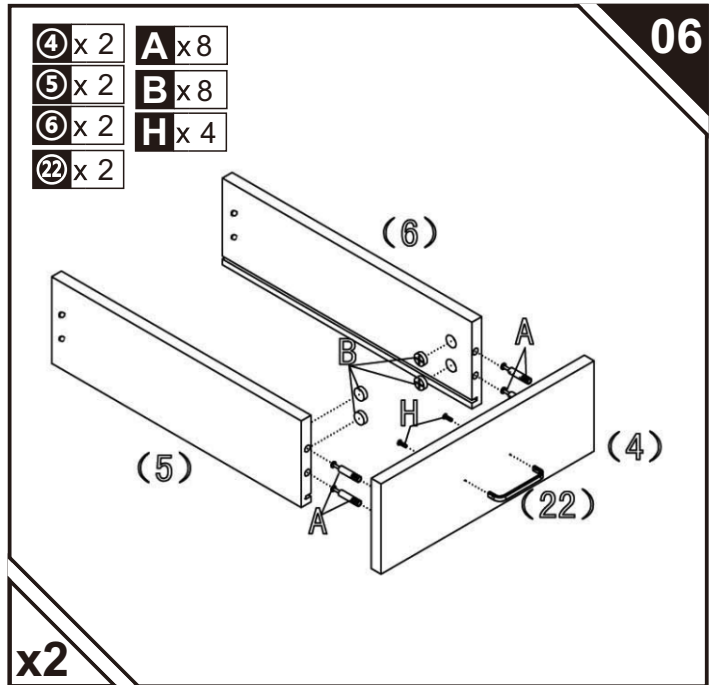
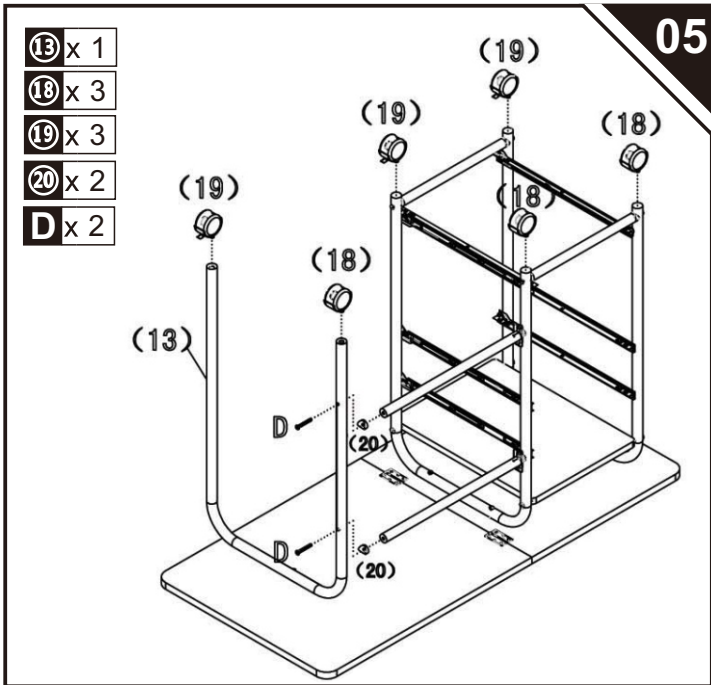
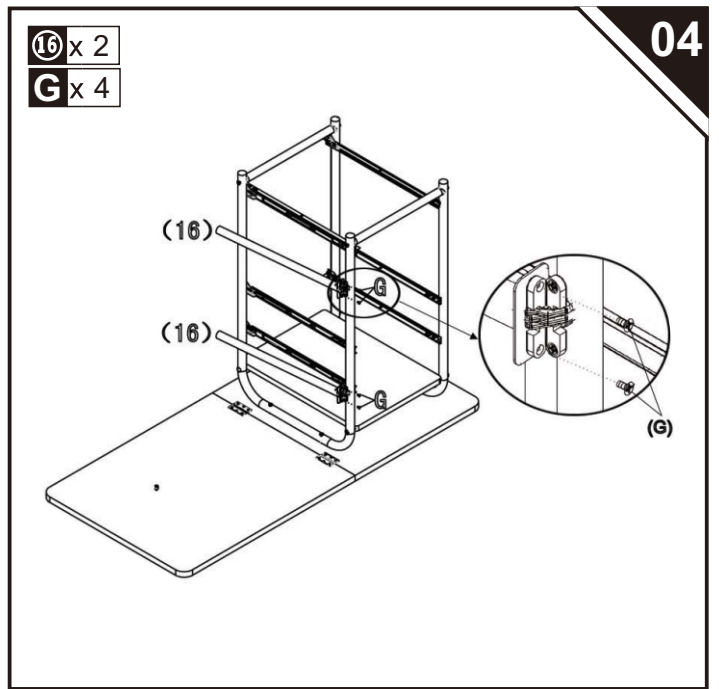
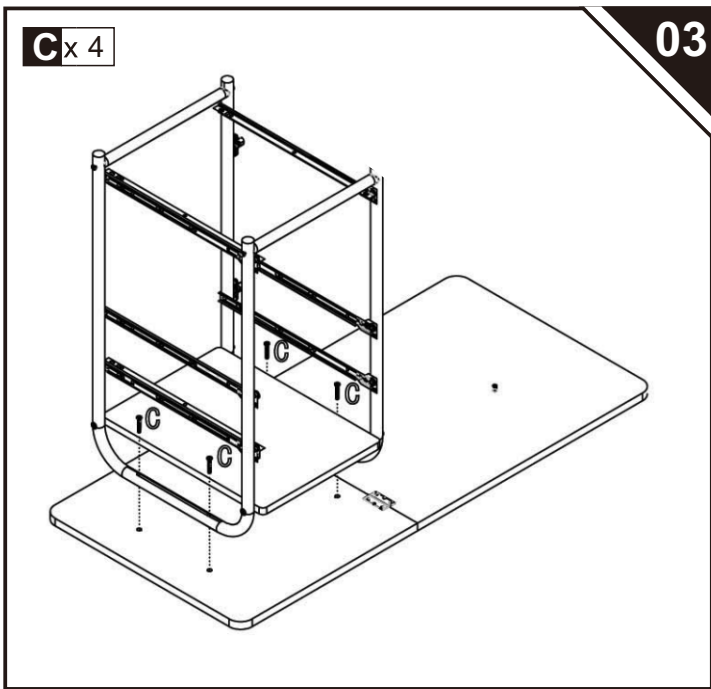


	<b>21</b> x 1		<b>A</b> x 12		<b>G</b> x 8
	<b>22</b> x 3		<b>B</b> x 12		<b>H</b> x 6
	<b>23</b> x 2		<b>C</b> x 4		<b>I</b> x 12
	<b>24</b> x 2		<b>D</b> x 6		<b>J</b> x 1
	<b>25</b> x 3		<b>E</b> x 4		<b>K</b> x 1
	<b>26</b> x 3		<b>F</b> x 24		

M4\*10  
 M4\*18  
 M4\*30  
 M6\*35  
 M6\*50  
 M5.5\*55  
 M4\*12

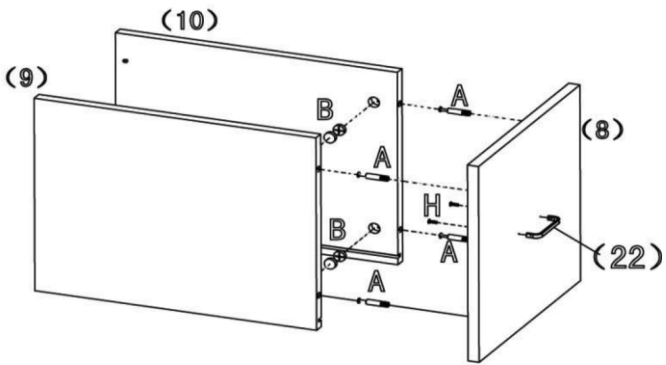
**TOOLS RECOMMENDED**





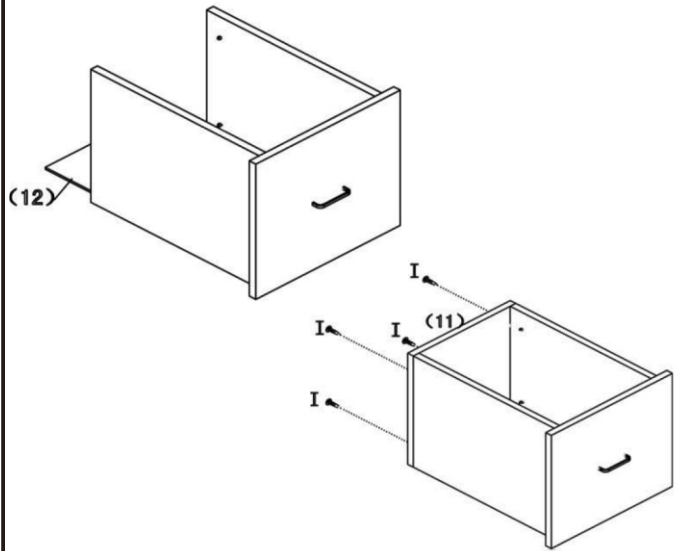
09

- ⑧ x 1
- ⑨ x 1
- ⑩ x 1
- ⑫ x 1
- A x 4
- B x 4
- H x 2



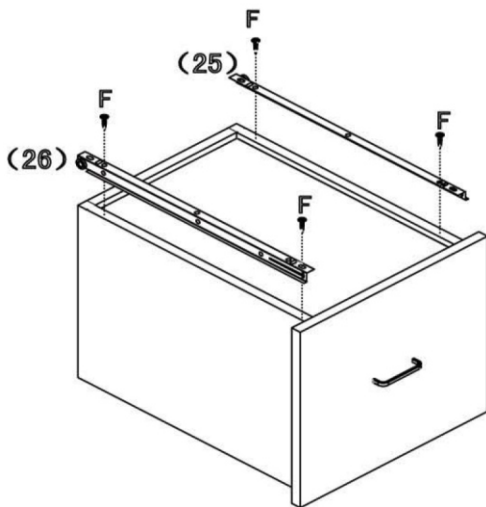
10

- ⑪ x 1
- ⑫ x 1
- I x 4



11

- ⑮ x 1
- ⑯ x 1
- F x 4



12

