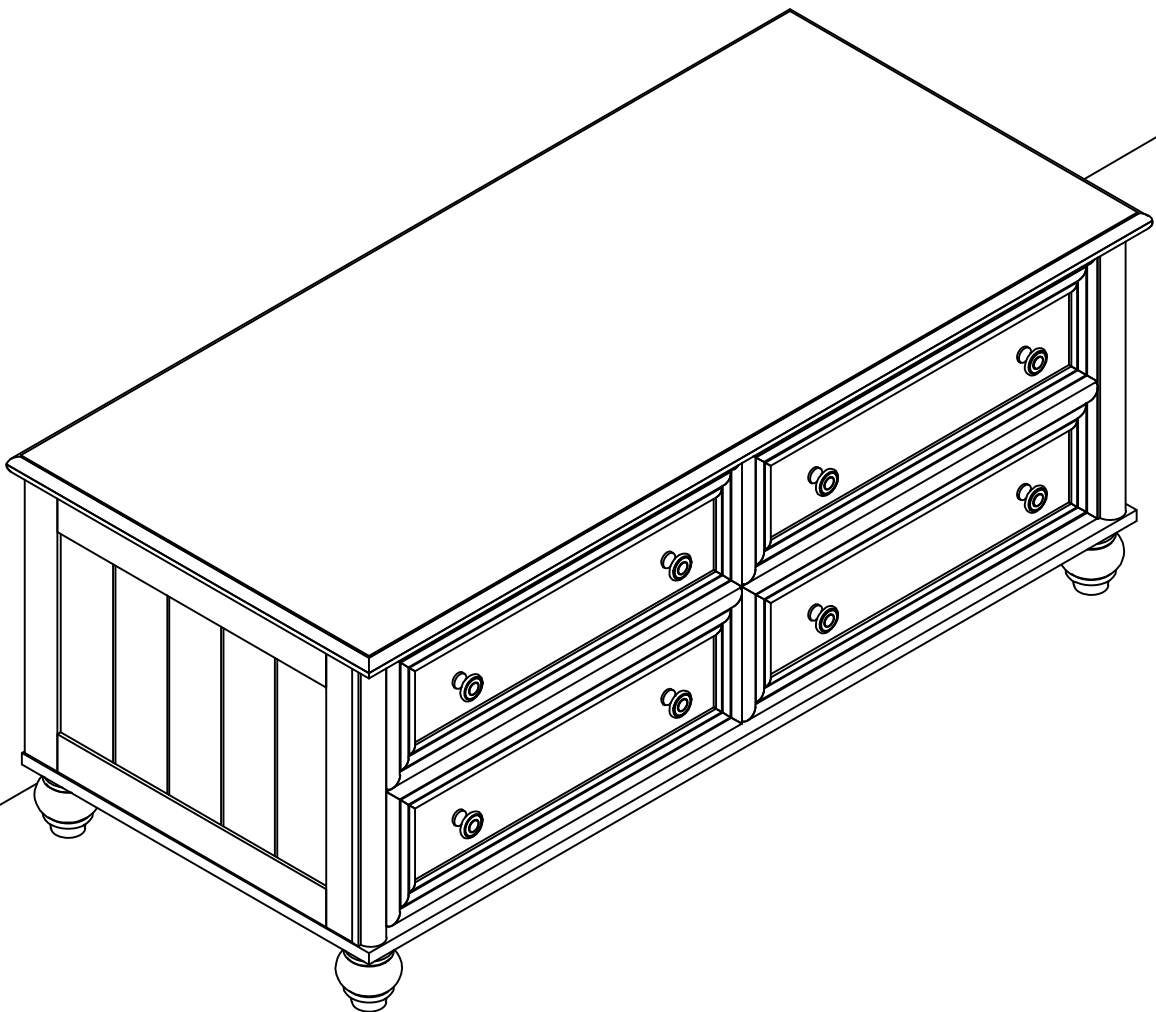
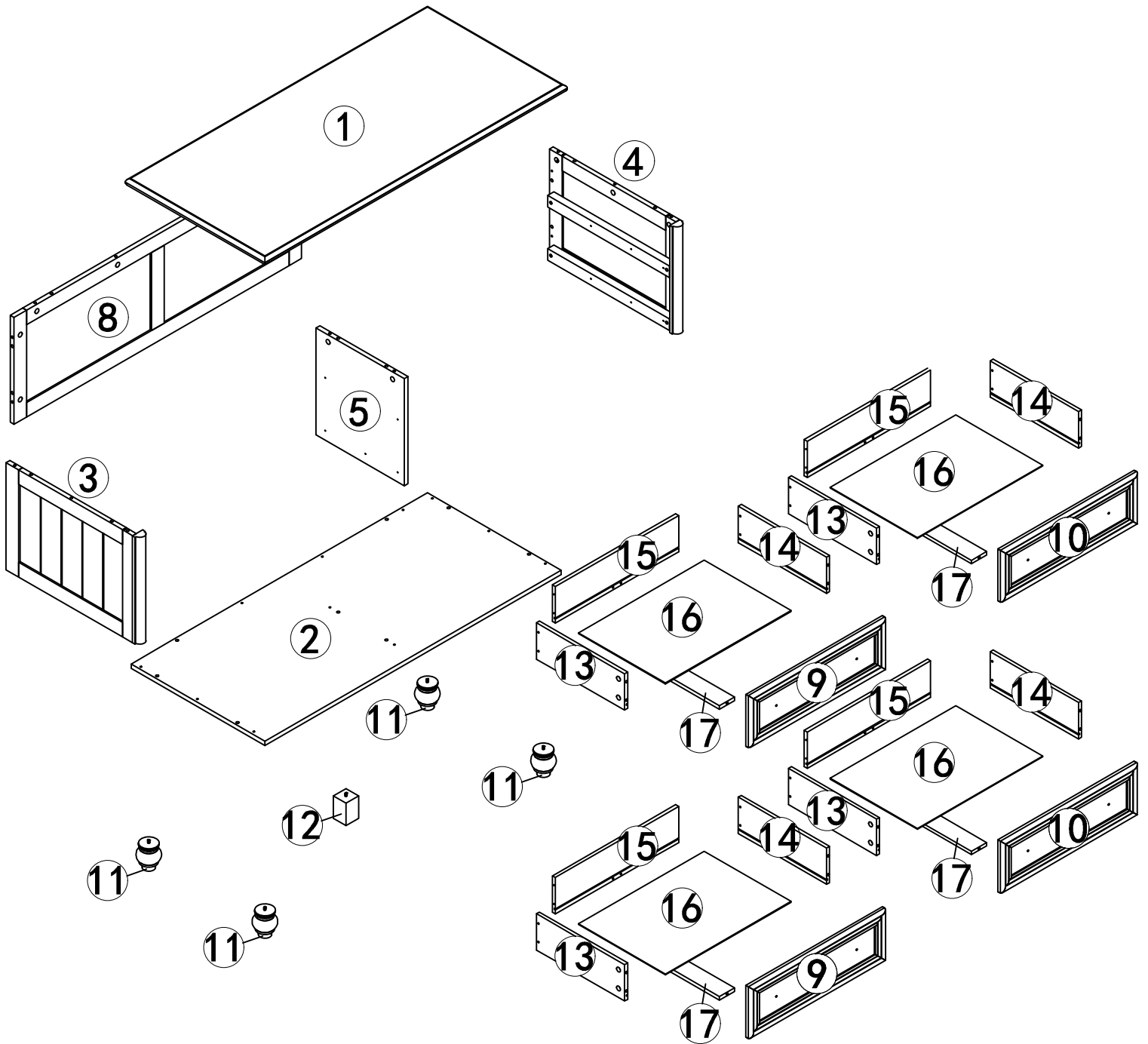


Assembly Instructions

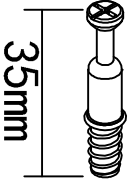

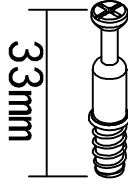





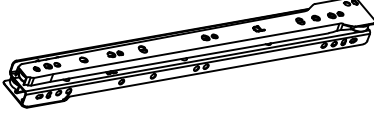





Instructions for use: The cabinet legs should be designed to avoid lateral stress. When moving, please lift vertically off the ground. Dragging may cause loose connectors, affecting stability and service life

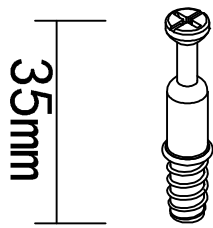
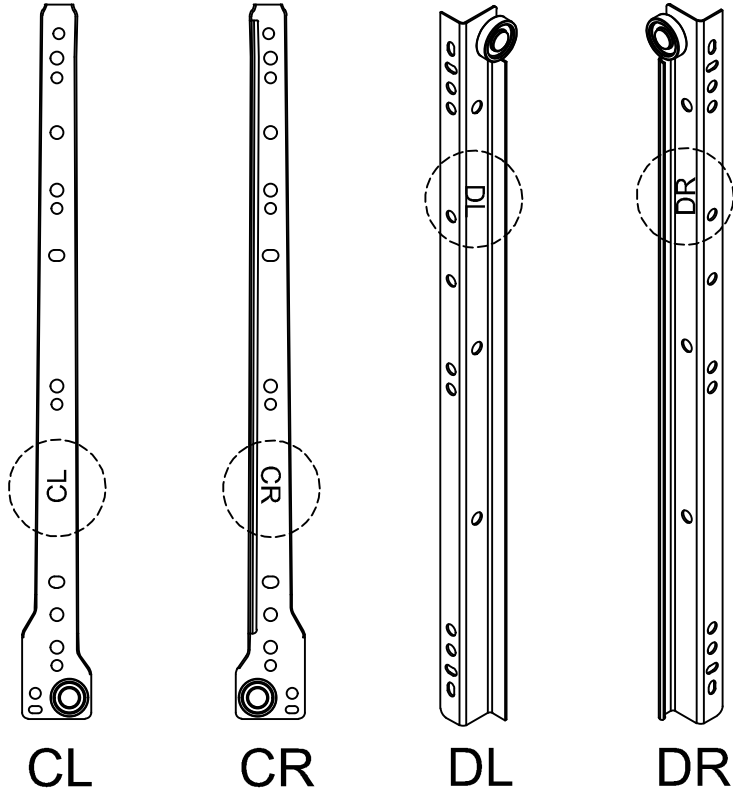
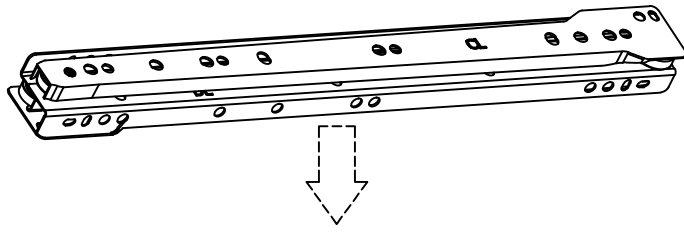
PART LIST



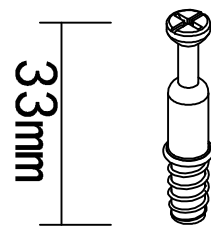
HARDWARE LIST

<p>A</p>  <p>35mm</p> <p>Ø6x35mm (16+1)PCS</p>	<p>B</p>  <p>Ø15x9.5mm (36+3)PCS</p>	<p>C</p>  <p>33mm</p> <p>Ø6x33mm (20+2)PCS</p>
<p>D</p>  <p>Ø8x30mm (20+2)PCS</p>	<p>E</p>  <p>Ø5x40mm (12+1)PCS</p>	<p>F</p>  <p>Ø4x32mm (24+2)PCS</p>
<p>G</p>  <p>8PCS</p>	<p>H</p>  <p>Ø4x12mm (8+1)PCS</p>	<p>I</p>  <p>4SET</p>
<p>J</p>  <p>Ø3x12mm (48+3)PCS</p>	 <p>1PC</p>	 <p>1PC</p>

! I X 4SET

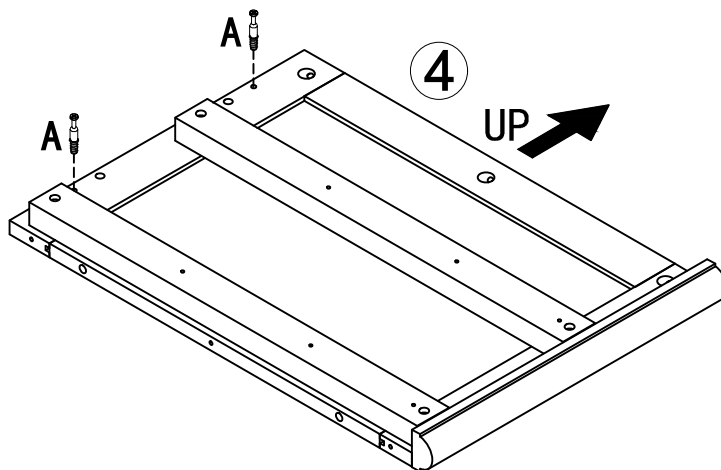
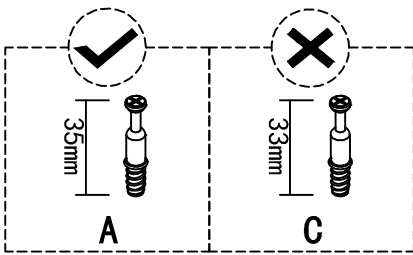
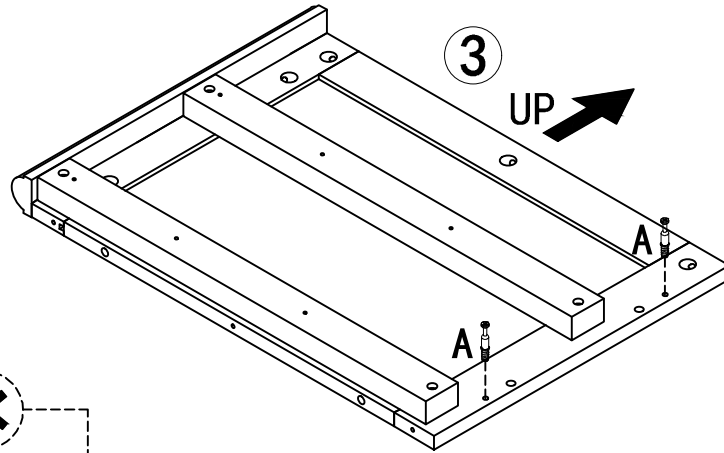
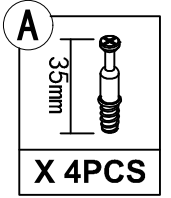


A




C

STEP 1

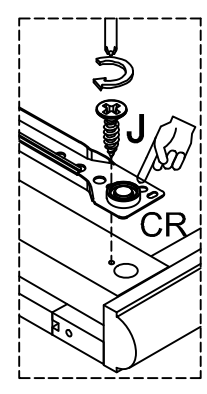
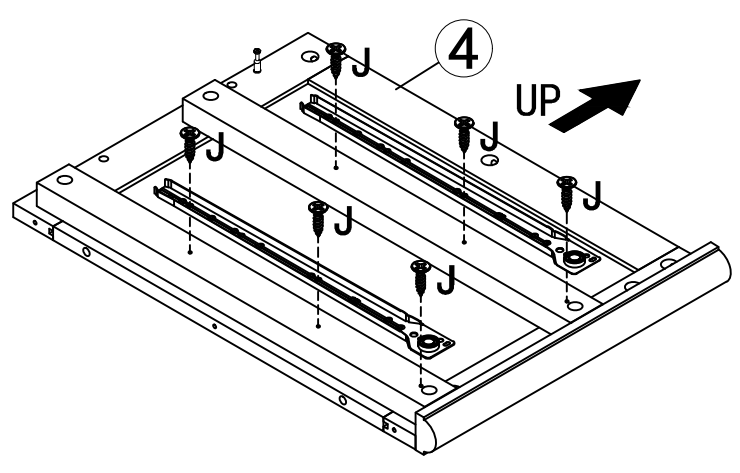
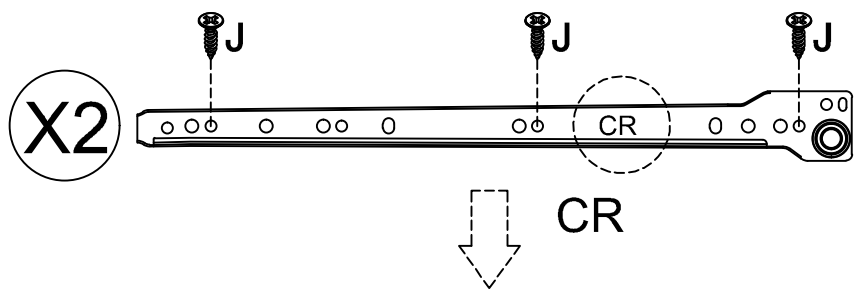
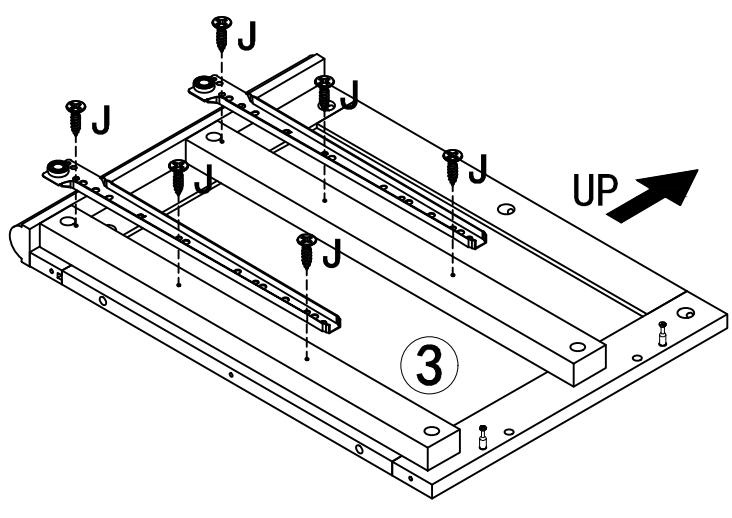
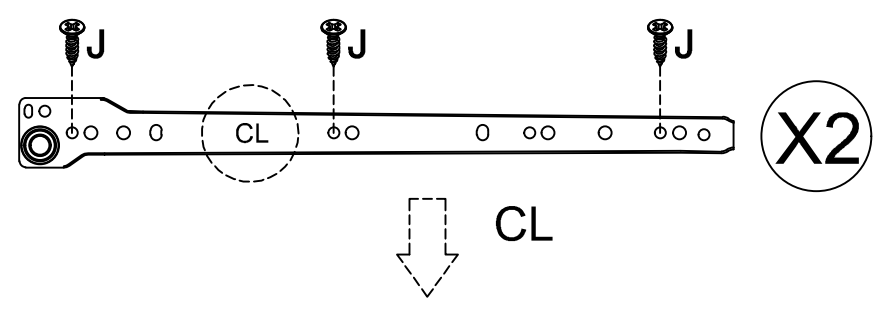
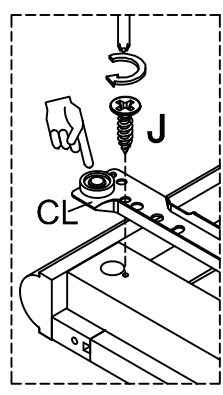


STEP 2

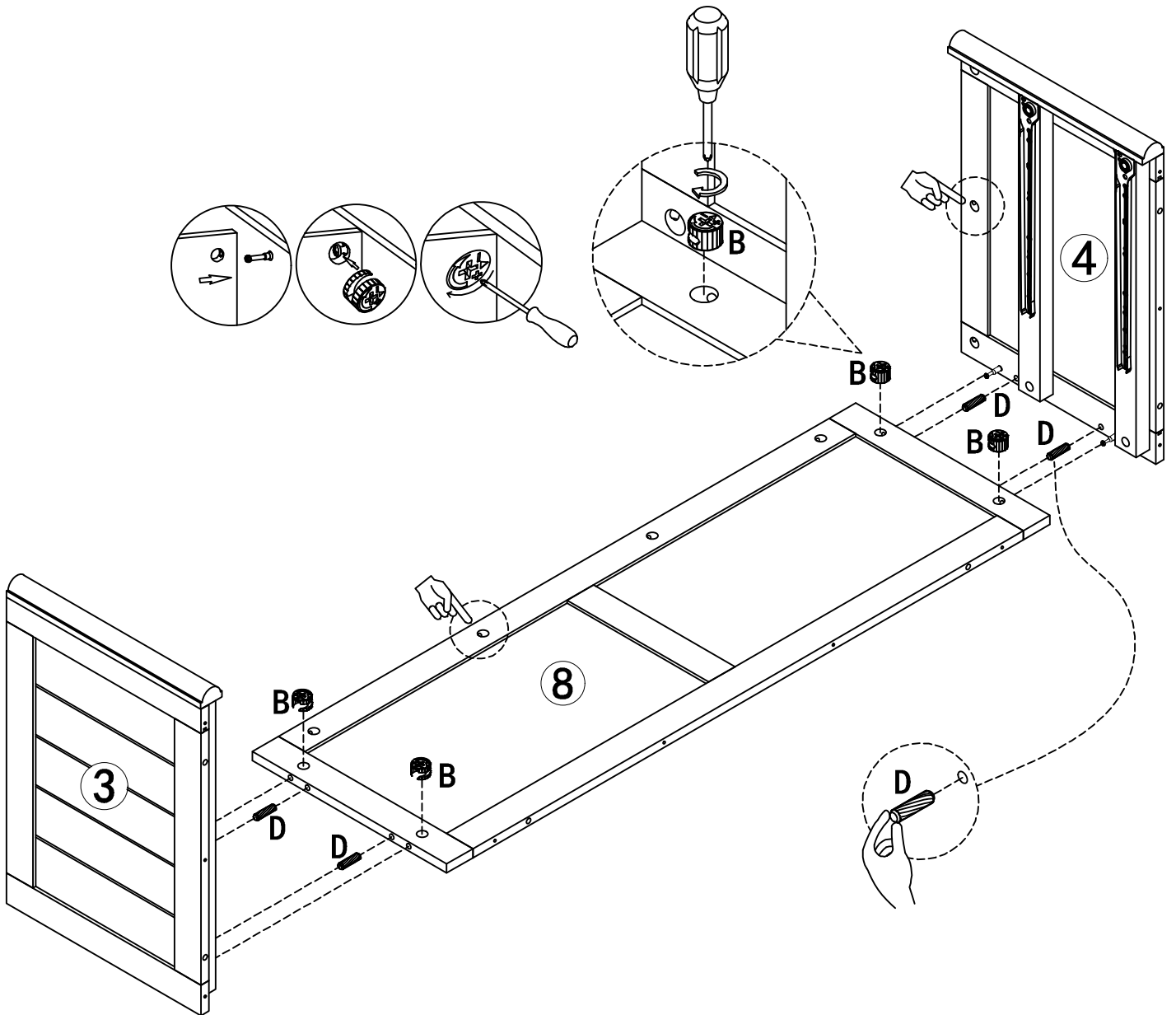
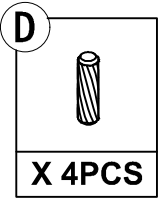
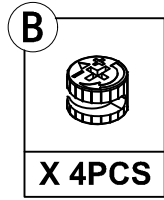
J



X 12PCS




STEP 4




STEP 5

D

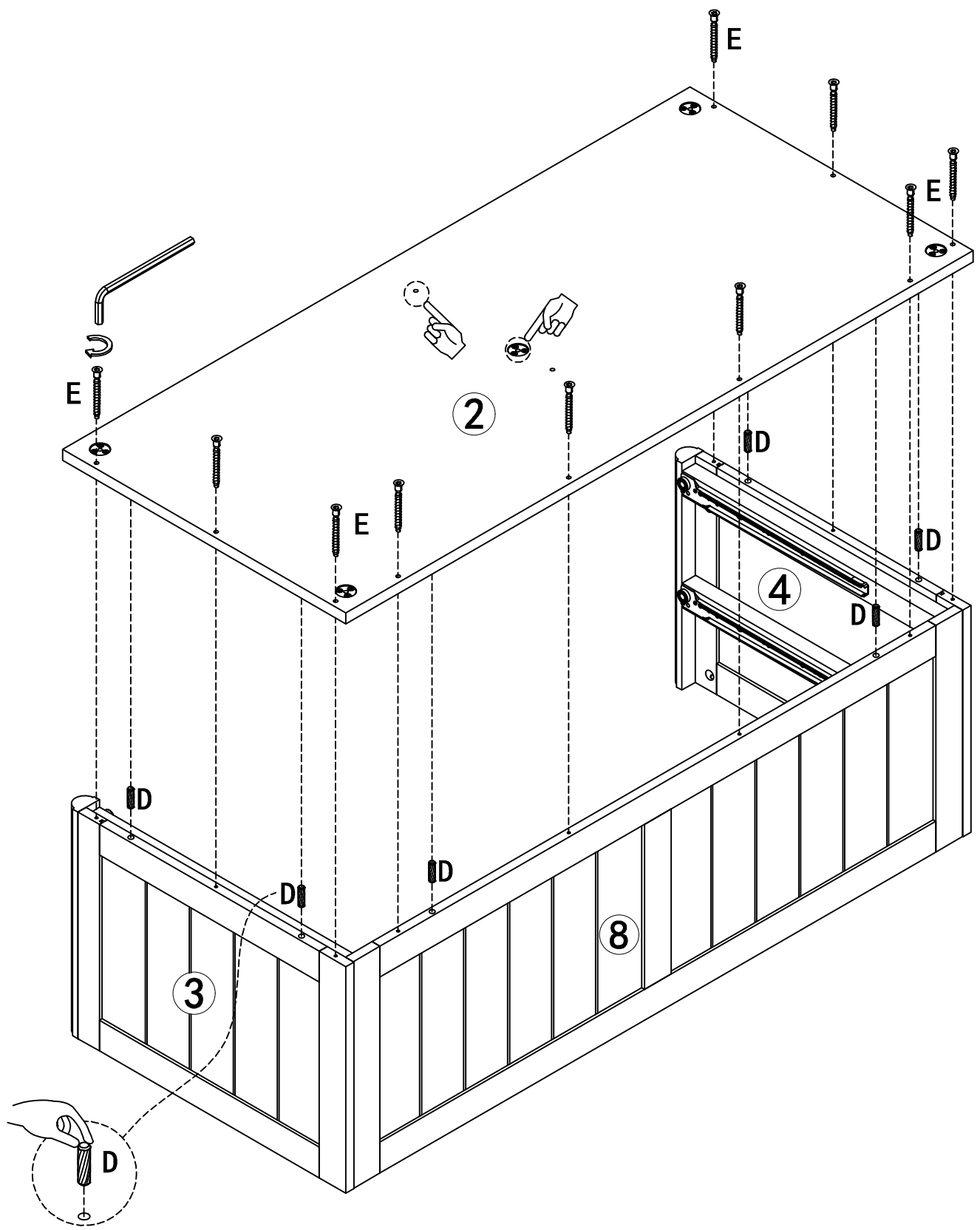


X 6PCS

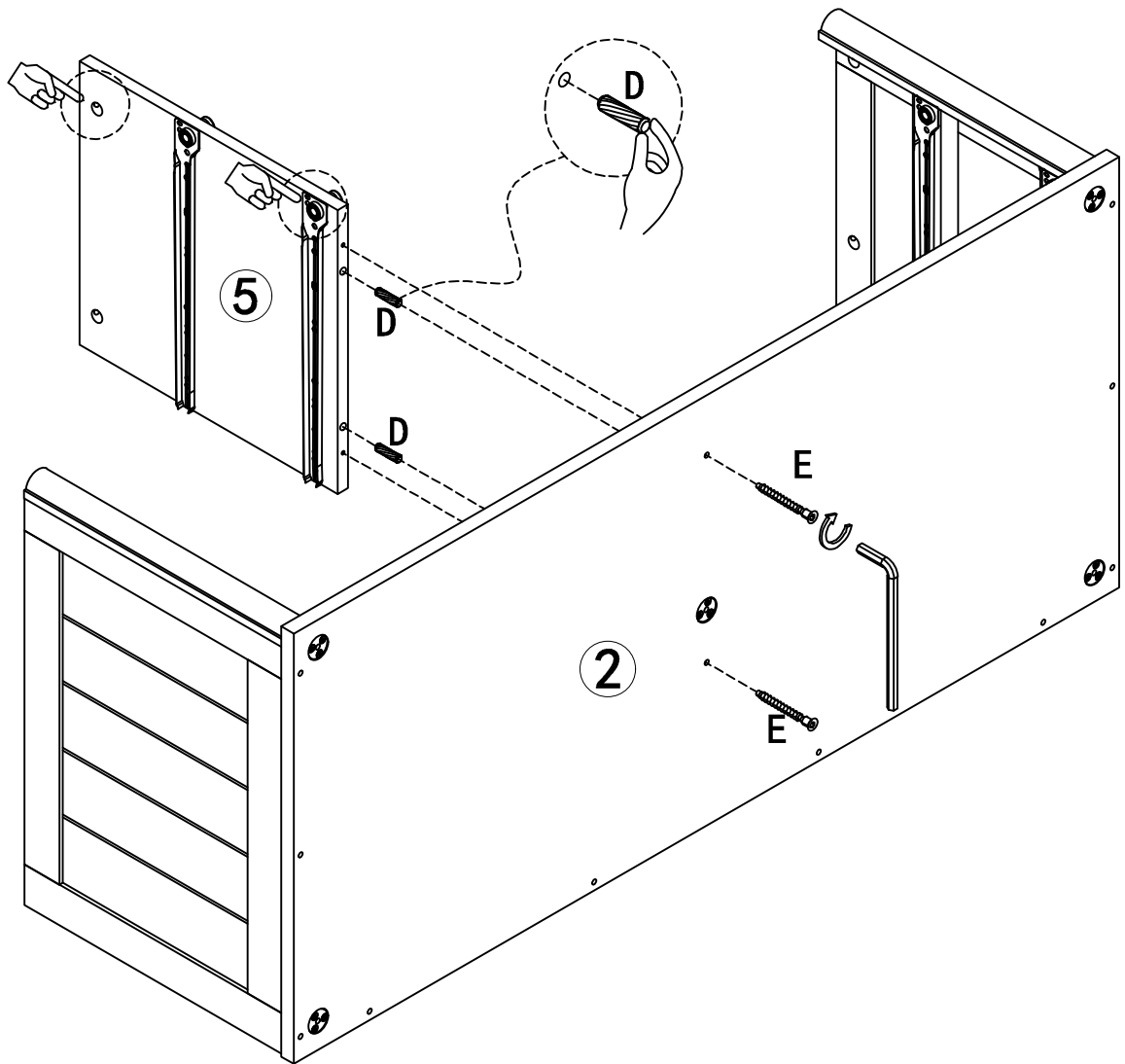
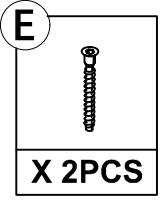
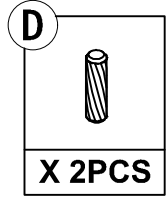
E



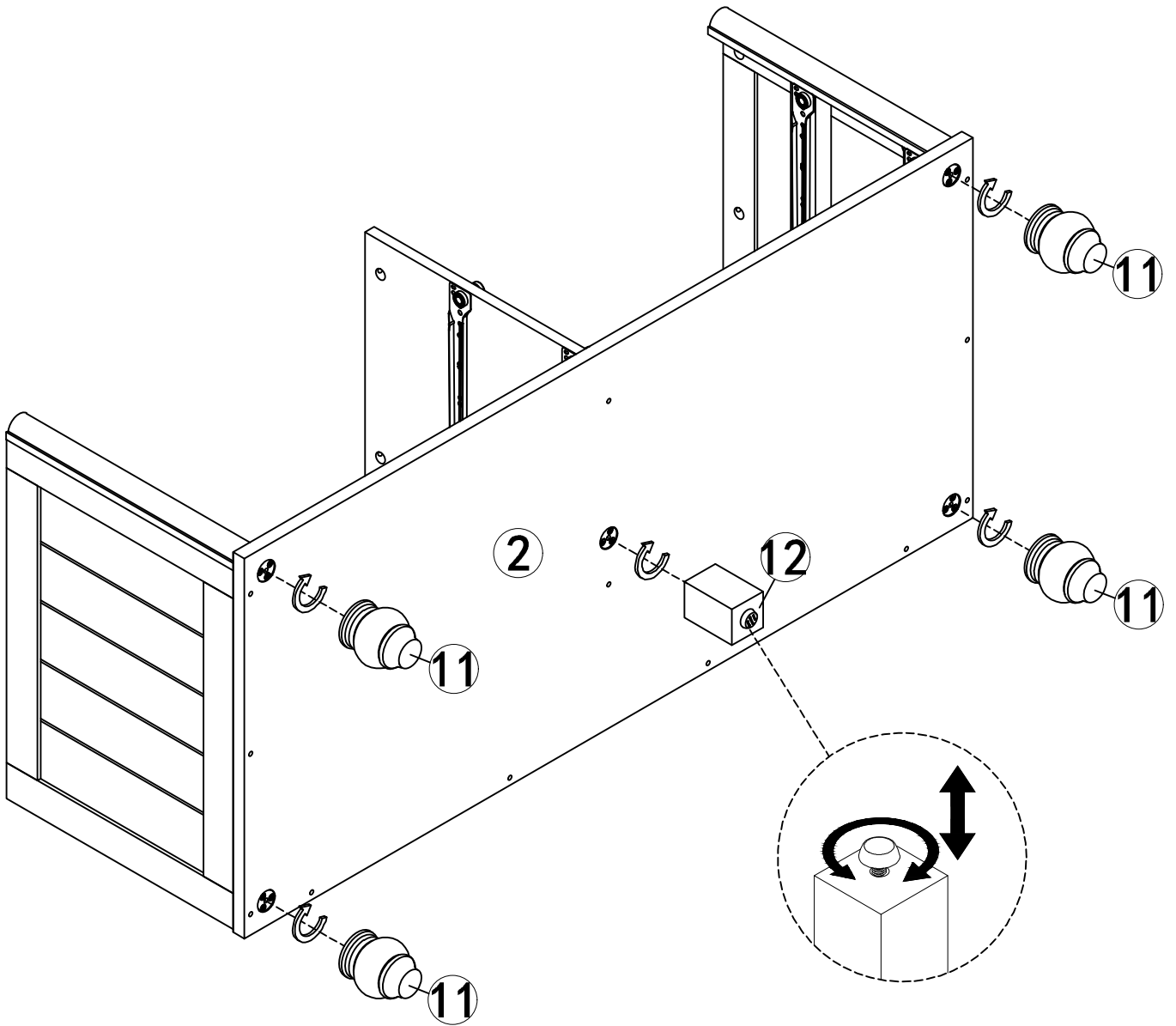
X 10PCS



STEP 6

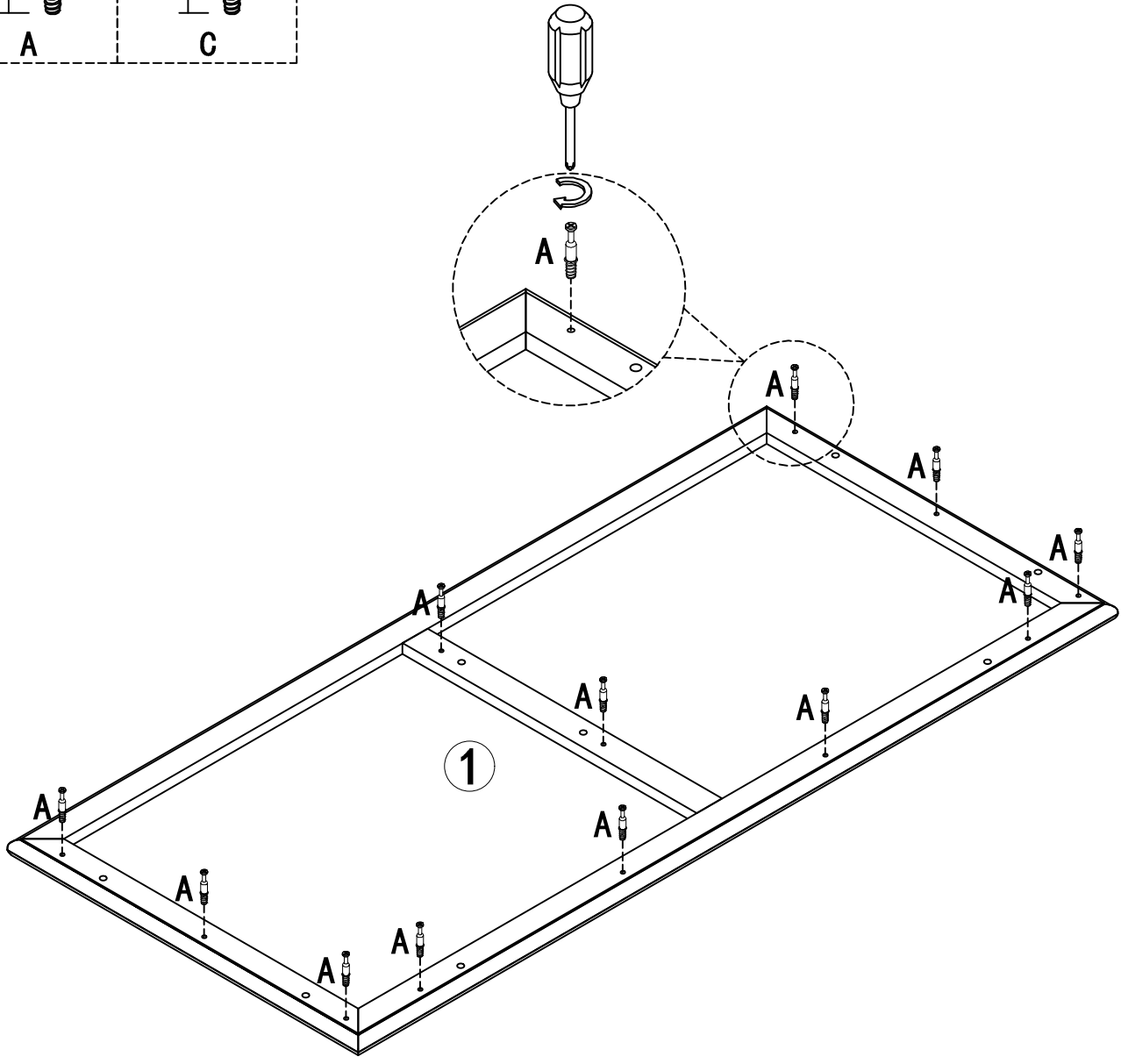
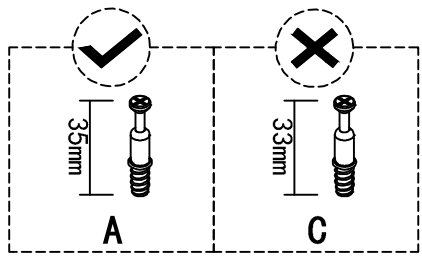


STEP 7

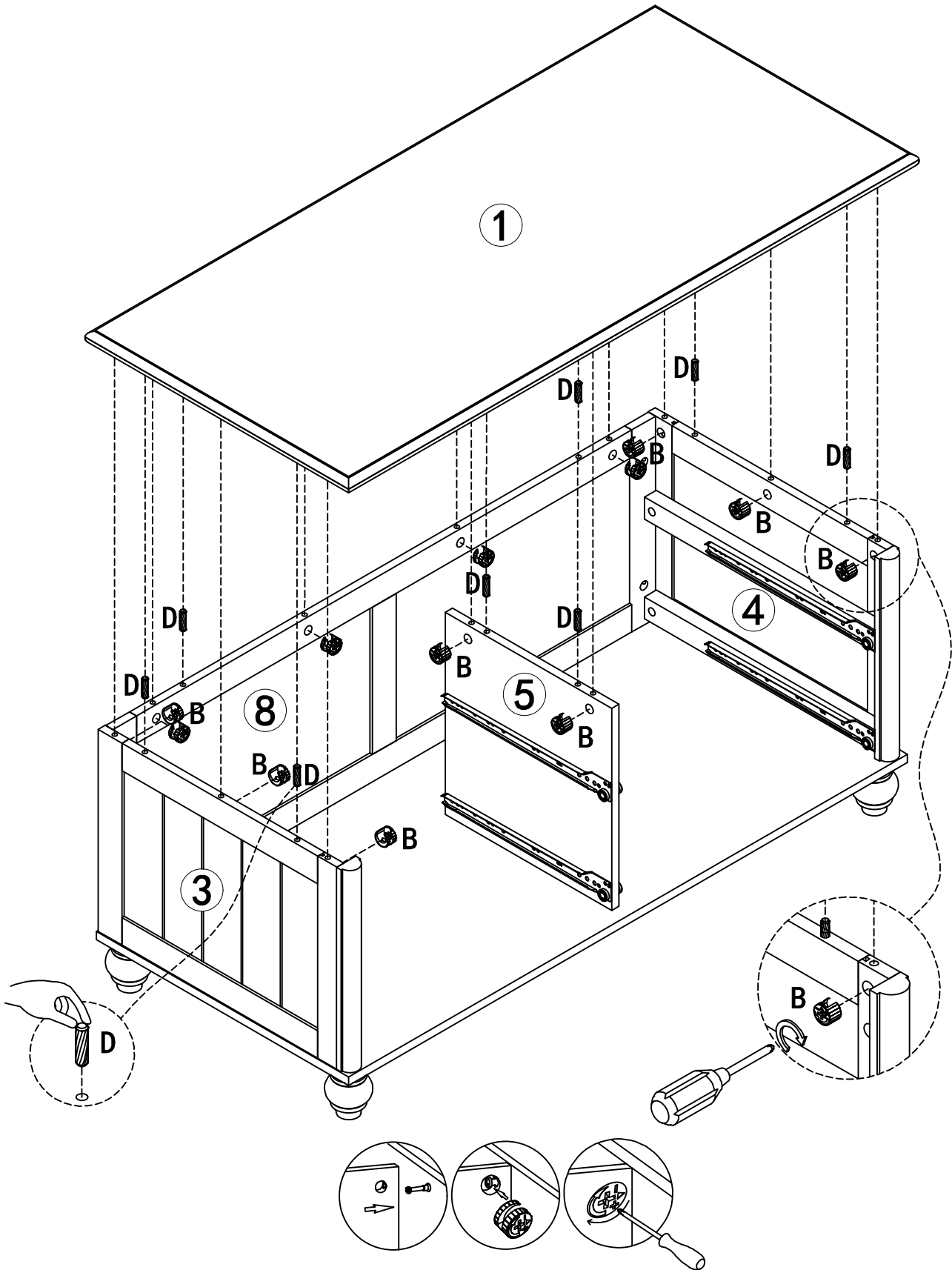
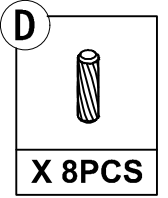
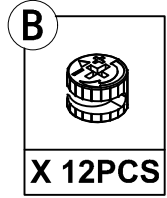


STEP 8

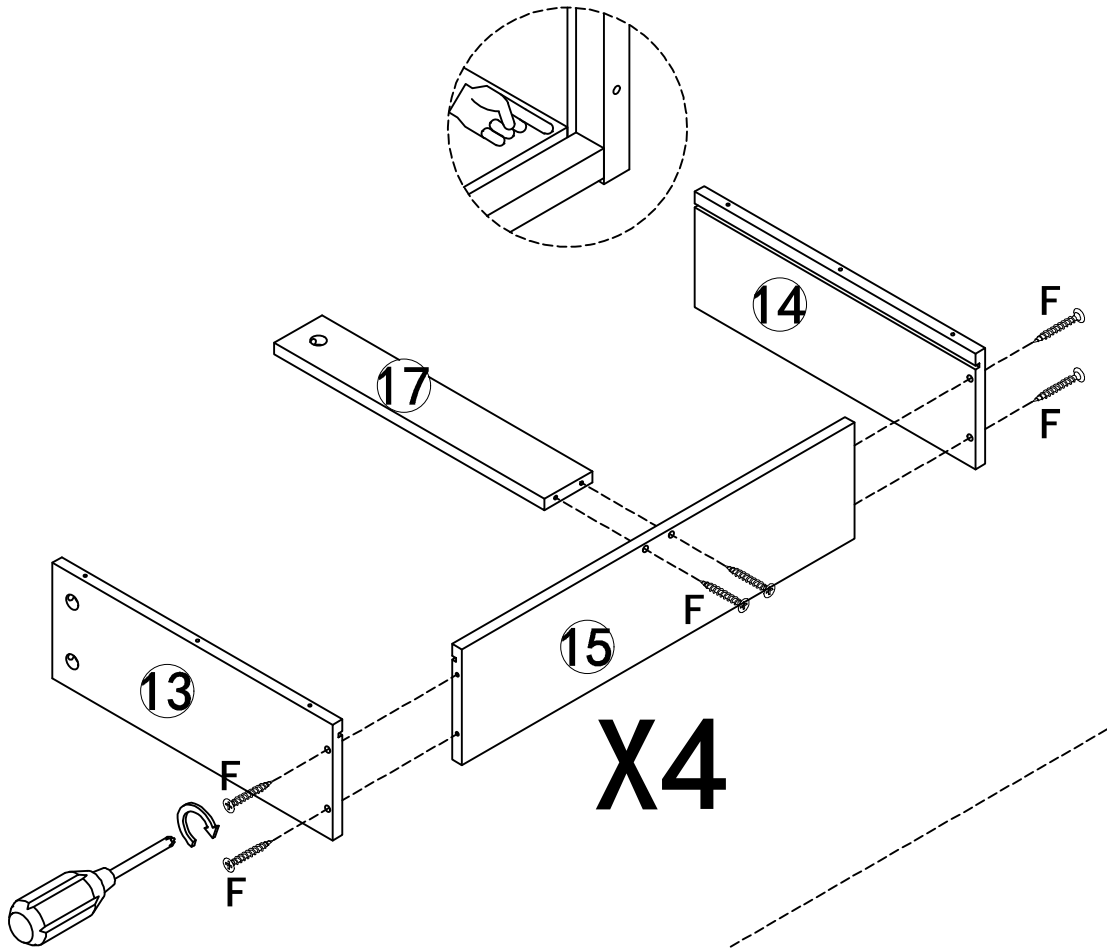
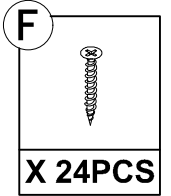
A
35mm
X 12PCS



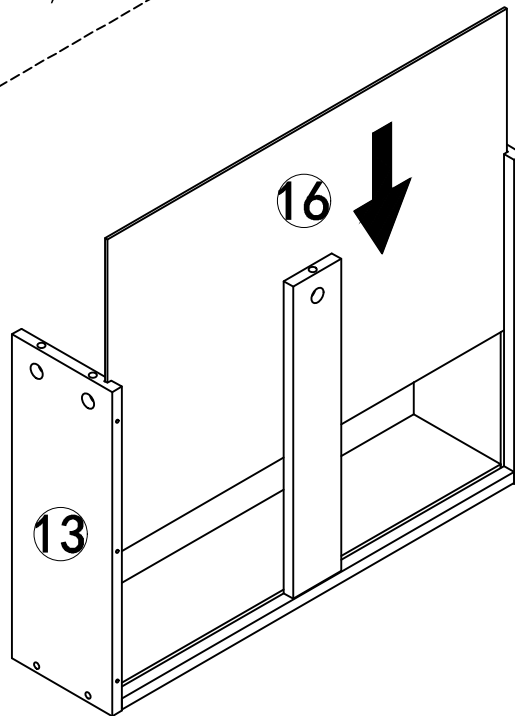
STEP 9



STEP 10

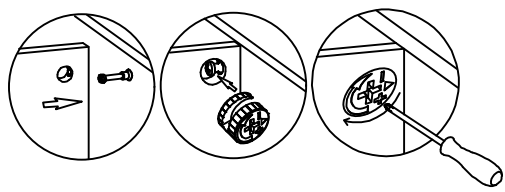
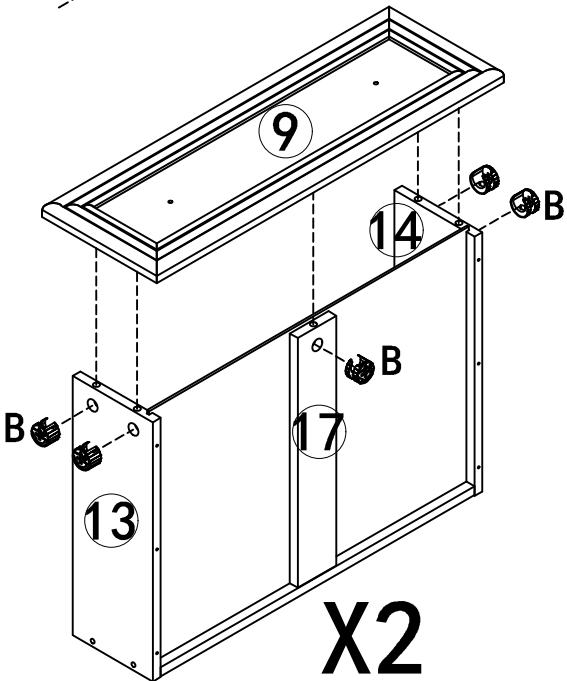
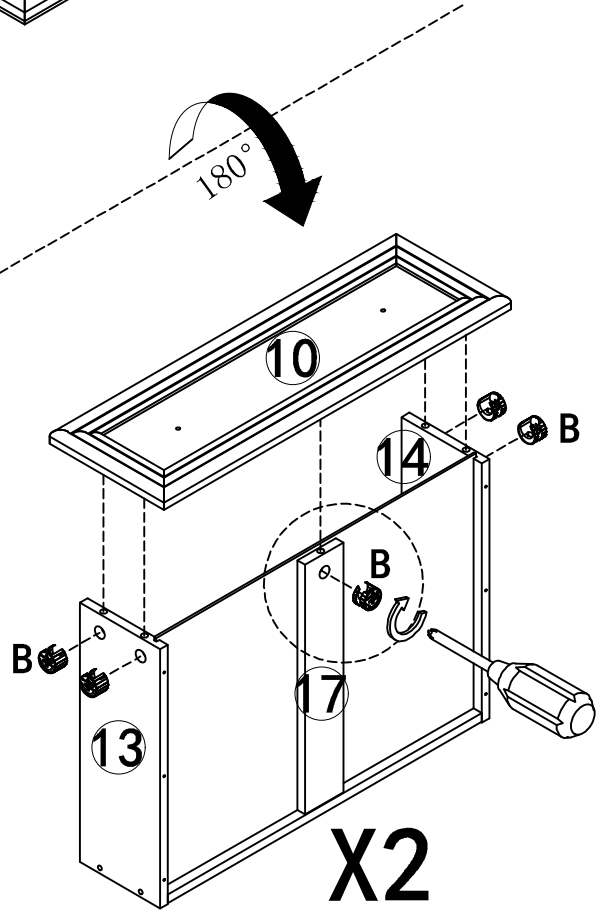
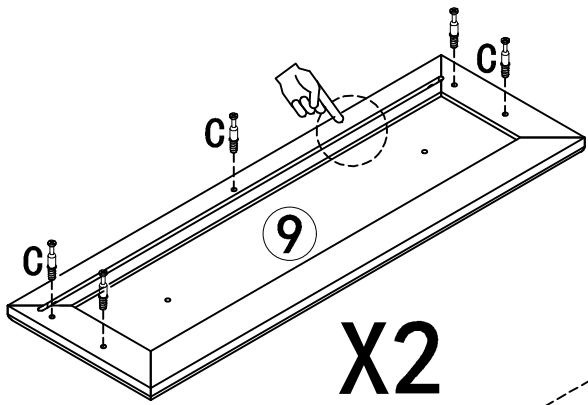
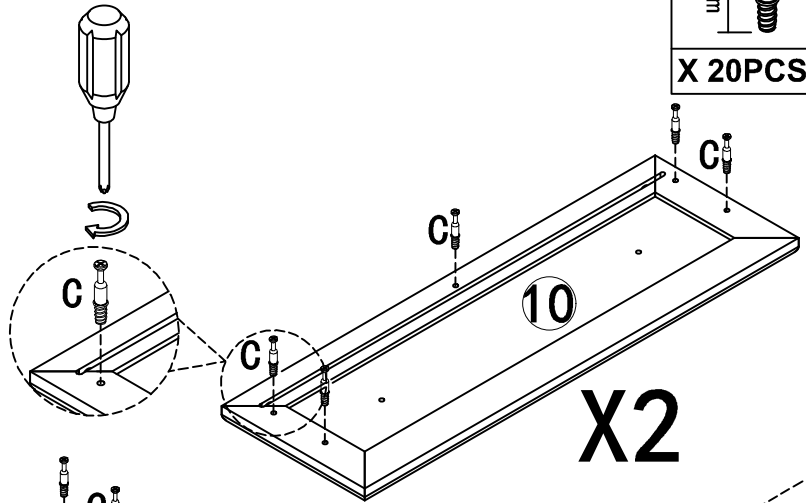
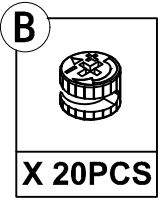
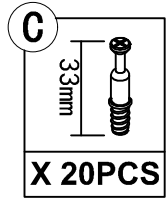
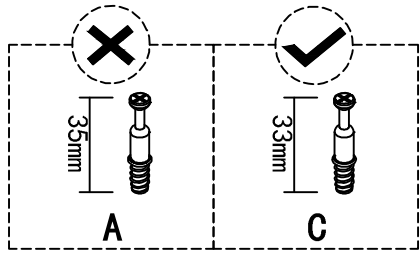


Note: When assembling the drawer back board and the side boards , it should be assembled flat, do not deviate

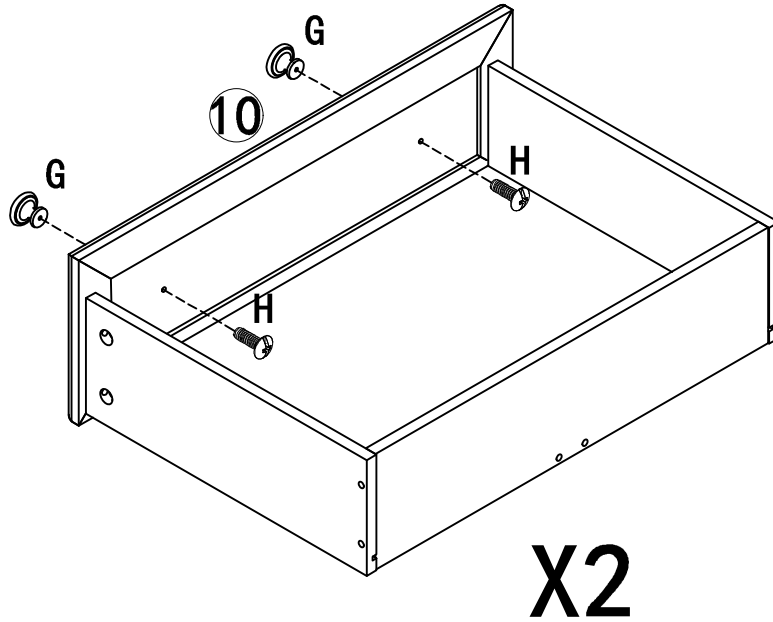
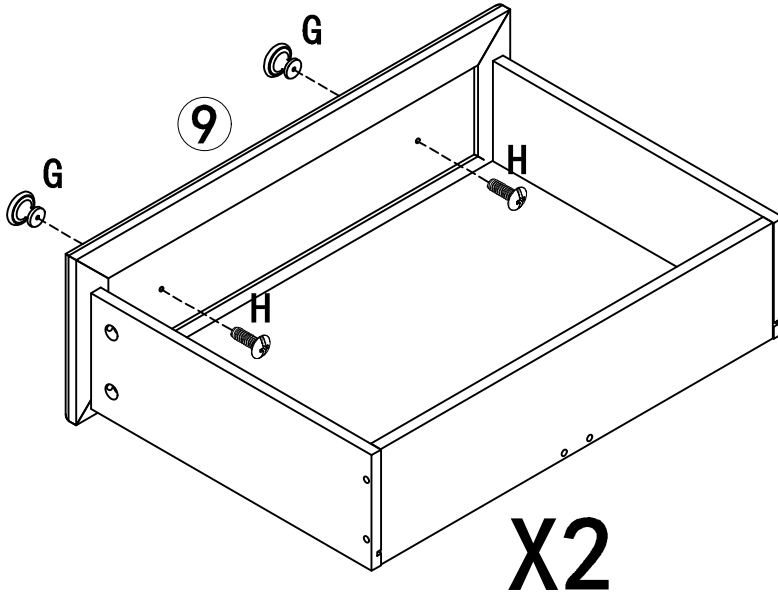
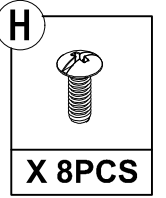
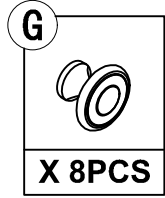


X4


STEP 11

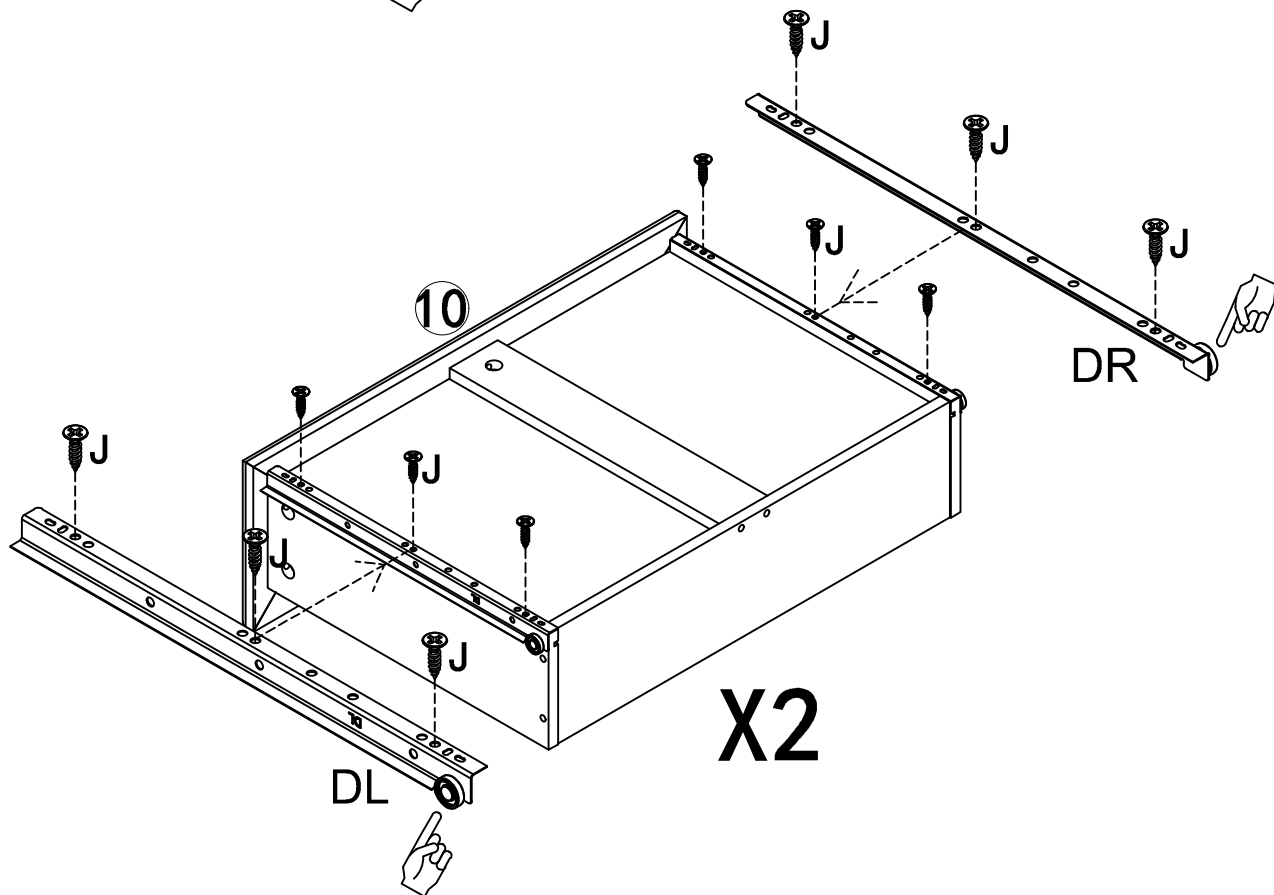
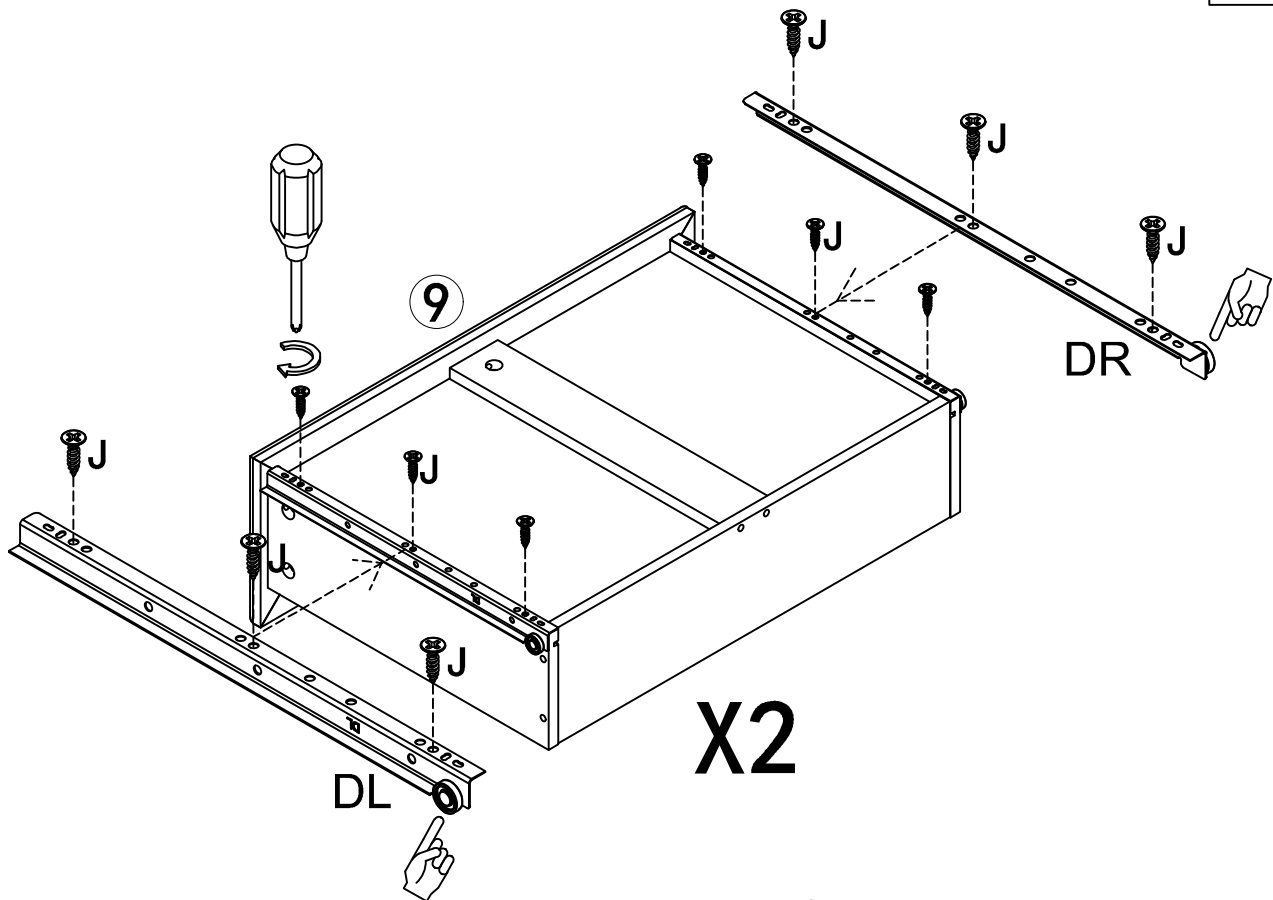


STEP 12

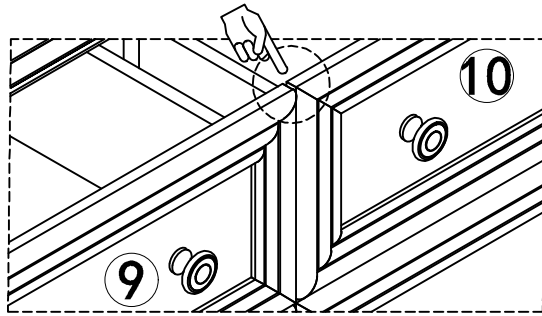


STEP 13

J

X 24PCS



STEP 14



Note: Please insert the drawer into the corresponding position according to the number

