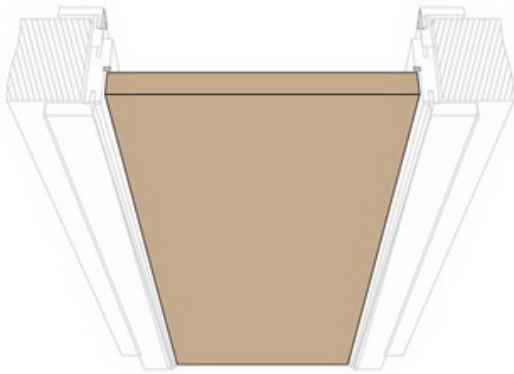


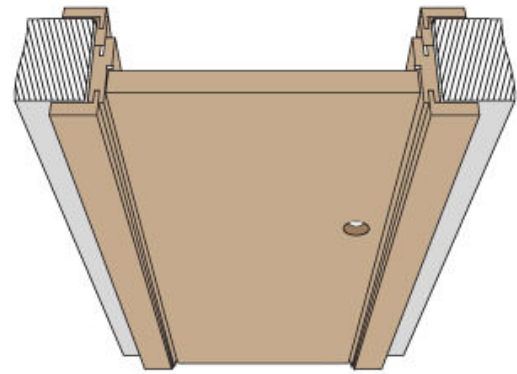
## Pre-Hanging Information

### Difference between Door Slab and Pre-hung Door



#### Door Slab Only

Door Slab Only No handle preparation. No deadbolt preparation. No frame or hinges included.

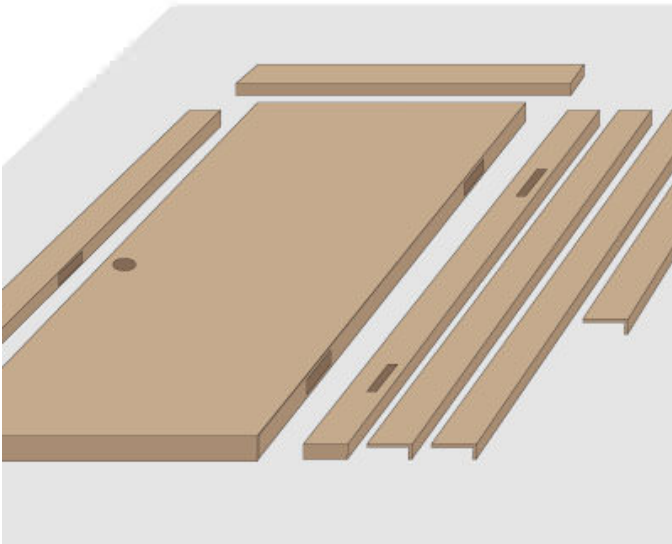


#### Pre-hung door

Door unit which is prepared for easy installation. Typically Pre-Hung doors are mortised for the hinges and pre-drilled for the handles. They include matching door Jambs and Casings, Hinges and Jamb width extension (if necessary). They could be assembled (Complete Unit) or Knocked Down. Doorsandbeyond.com offers pre-hung doors in knocked down manner.

#### Knocked Down Prehung Doors

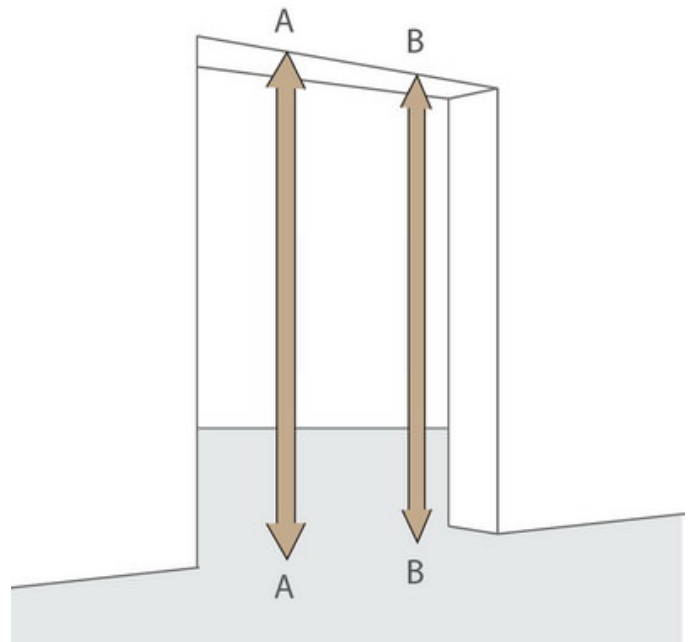
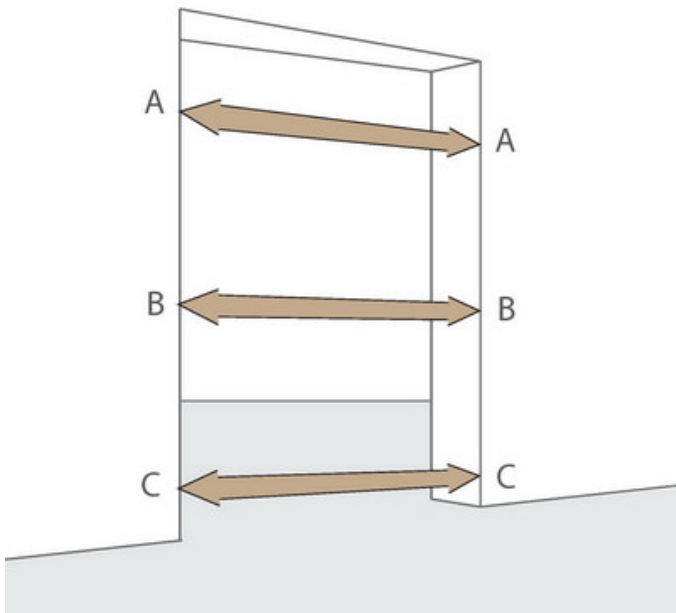
We are happy to offer knocked down prehung doors that are easy to assemble and to install. Door slabs and Jambs are precisely pre-machined to exact match each other at the assemblage points. Jambs and casings are carefully packed and shipped together with door slabs. Every piece is labeled to make assembly and installation quick and easy at the job site.



## Pocket Doors Information and Installation

### Rough opening measurement

See picture below in order to know how to accurately measure rough opening. First, three times measure the widths between the studs of the entryway. On picture 1 they are highlighted with arrowed lines and A, B, C. Be sure to record the smallest width of the 3 measurements. Second, measure the height on both sides (see picture 2 A, B lines) and also record the smallest measurement.



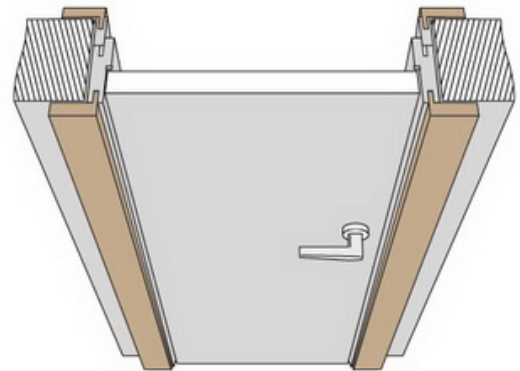
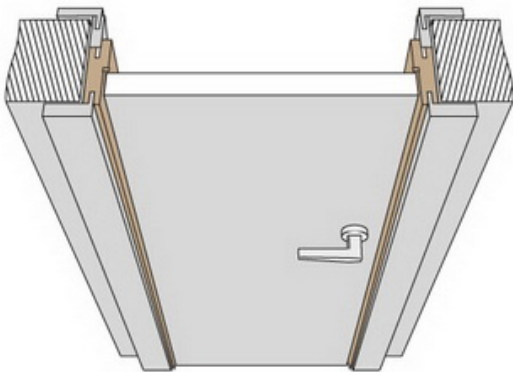
### Determining your Door Size (for the single and double door configurations)

From your rough opening width subtract 2 1/2", and 1 1/4" from the height. This will determine your door slab size

**Please Note:** Masello Di Rovere (Solid Wood Oak) collection doors have thicker frames. Subtract minimum 2 3/4" from the rough opening width (recommended: 3 1/4") and minimum 2 1/4" from the rough opening height (recommended: 2 1/2").

### Door Construction Overview

A Swinging Door itself can't be used in a proper way without its frame. Our door frames consist from the following components: Single Rabbeted Jambs, L-shaped Casings, Flat Casings. A Door slab gets attached to one of the Jambs. The Casings are applied around the door into the jambs for decorating purposes. All components are finished with the same Veneer or Lacquer as the door slab.



### Single Rabbeted Jambs

Made from solid wood or marine plywood base. The door stop inlays a rubber seal.

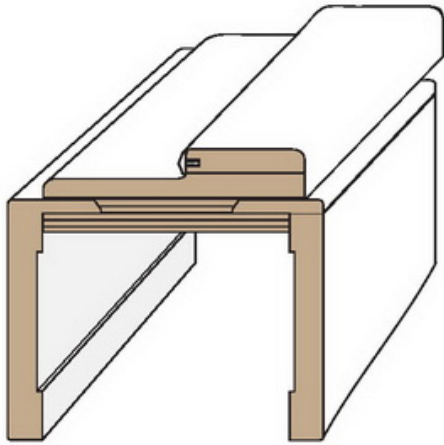
The thickness of the door jamb is 3 7/8", which is adjustable to 4 7/8" using the L-Casing molding.

### L-shaped and flat casings

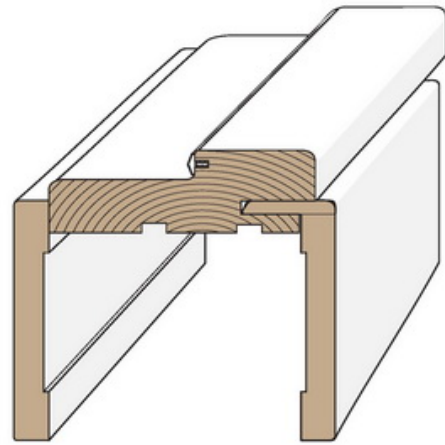
Made from high-pressed MDF. Adjust the thickness of the frame up to 4 7/8" thanks to L-shaped construction.

Door casings width: 2 13/16"

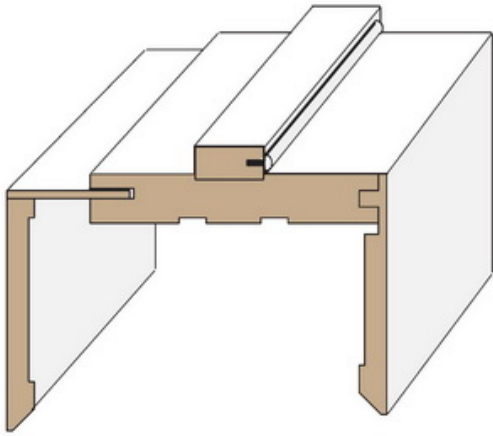
### Frame Overview

**V1****V1**

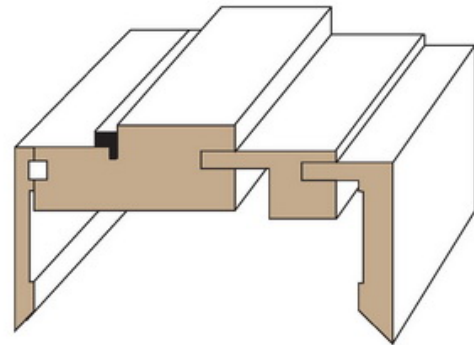
Single rabbeted Jambs made from marine plywood base with a rubber sealed high-pressed MDF door stop. The jamb has two 3/4" deep grooves from both sides. The thickness of the door jamb is 3 7/8", which is adjustable to 4 7/8" using the L-Casing molding. Casings are applied around the door jamb, which are the same finish as the door. Both Jamb and Casing are covered by exotic wood veneer. [Download Specifications](#)

**B1****B1**

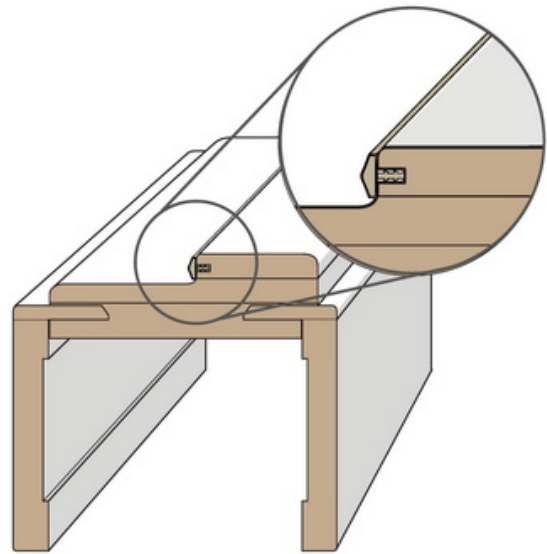
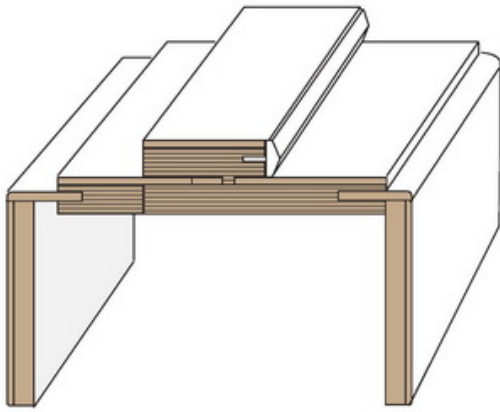
Single rabbeted jamb is completely made from solid wood with a rubber sealed door stop. The jamb has one 9/16" deep groove from rabbeted side. The thickness of the door jamb is 3 7/8", which is adjustable to 4 7/8" using the L-Casing molding from the one side. From the other side, flat casings are applied around the door jamb, which are the same finish as the door. [Download Specifications](#)

**E1****E1**

Available only with High Endurance collection. This type of frame can cover 3 7/8" to 6" thick wall. [Download Specifications](#)

**M1****M1**

Available only with Masello Di Rovere collection. Made from Solid Wood Oak. This type of frame can cover 3 7/8" to 6" thick wall. [Download Specifications](#)

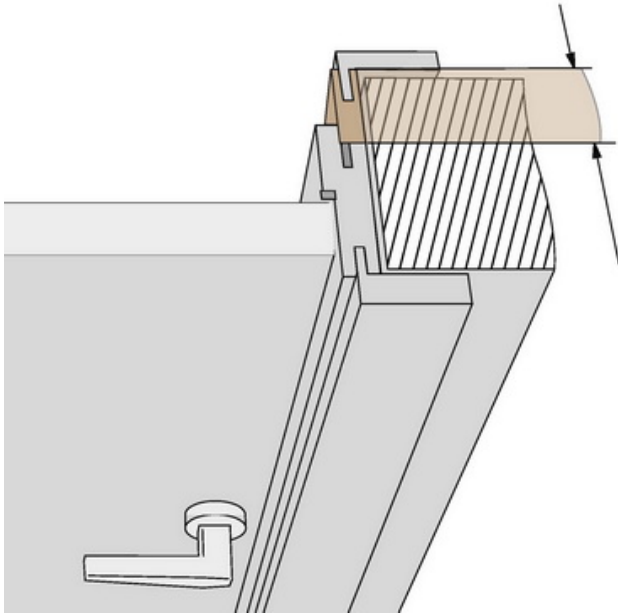


## S1

Available only with Arazzinni SmartPro Collection collection. This type of frame can cover 3 7/8" to 6" thick wall. [Download Specifications](#)

## Rubber Seal

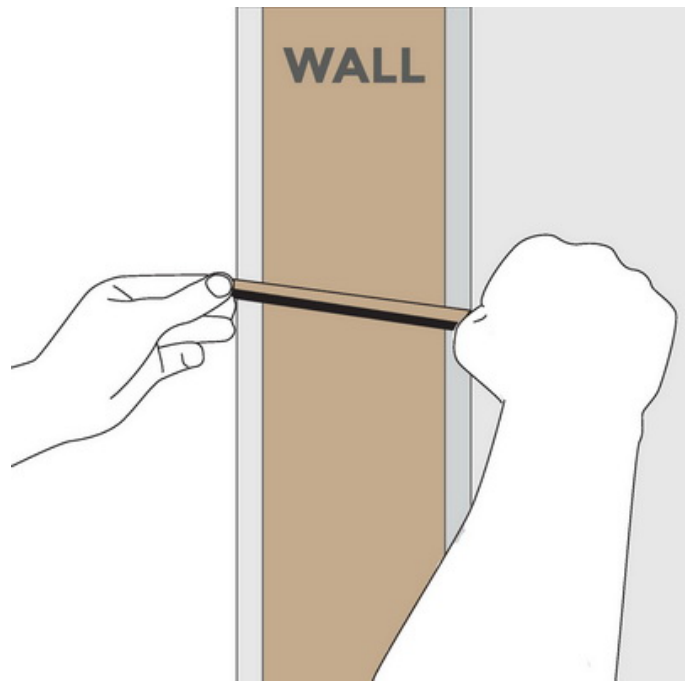
Rubber seal used for noise insulation and shock absorption when closing the door, as well as helping to reduce dust in the room. It is important that the rubber seal in the door frame should be bland.



## Jambs Width Extension

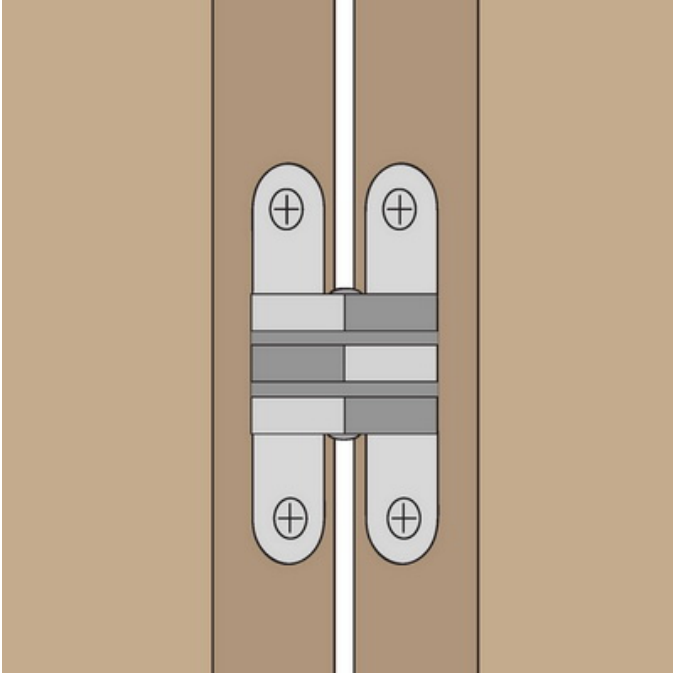
Jamb Extensions are additional parts for extending the door frame. If the wall thickness is greater than this standard jamb width, extensions must be used. Jamb width extensions come in identical Veneer finishes as the Door. Standard frame covers 3 7/8" to 4 7/8". Jamb extensions give you the ability to cover additional widths.

## Available Mortised Hinges options



## Wall Thickness Measurement

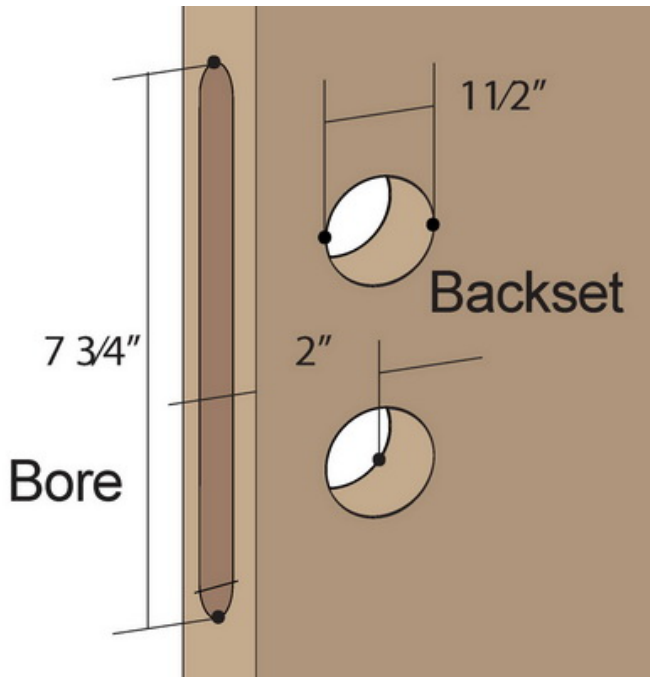
Take your wall thickness measurement from edge to edge (as illustrated here). Please note that sheetrock thickness is also considered in a total measurement sum.



### Concealed Hinges

Fully concealed hinges. 2 to 4 hinges per door slab (depending on door size). Zinc Bodies and Steel Links. Finish: Satin Chrome (other finishes are available upon request)

### Available Handle Preparation options

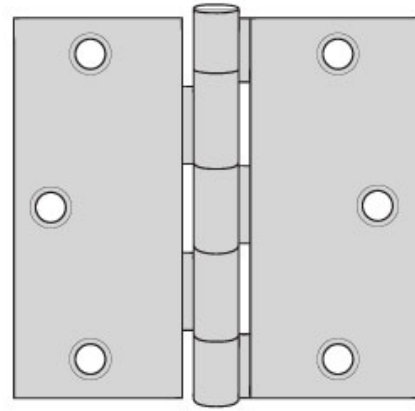


### European Magnetic Lock Mortise

A Knocked Down doors will have pre-machined mortise an European Magnetic Lockset.

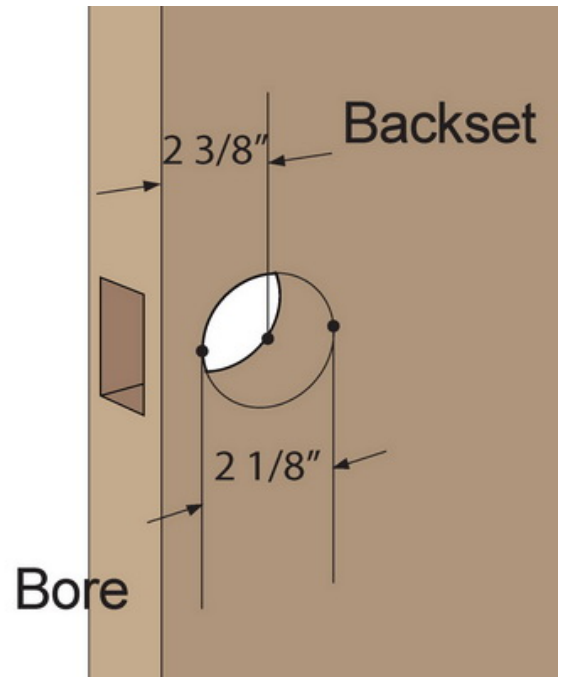
### European Magnetic Lock Functionality

Keyed / Entry Function



### Plain-Bearing Hinges

All steel base material. Plain bearings. Full mortise. Finishes: Polished Chrome; Satin Nickel; Polished Brass  
Size: 3.5" x 3.5" square hinge. 2 to 4 hinges per door (depending on door size).

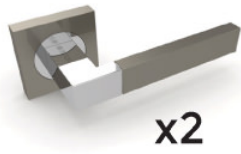


### Standard (American) Handle Preparation

A Knocked Down Door will have pre-drilled bore for a handle with 2 3/8" backset. Bore diameter will be 2 1/8"  
Backset is the distance from the edge of the door to the center of the bore hole

**Please note:** If you don't need handle preparation, or need an extra pre-drill for deadbolt contact us before placing an order.

1



European Handle Set  
SKU: Optional

2



Cover Plate Set, Keyed/Entry Function  
SKU: ET-KM-SN/CP

3



Cylinder. Both Sides. Keys or Key and Lock  
SKU: CYLINDER-70-SN/CP

4



AGB Italian Magnetic Lock  
SKU: B02402.50.34

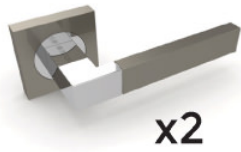
5



Minimal XT Strike Plate  
SKU: B02402.05.34

Privacy Function

1



European Handle Set  
SKU: Optional

2



Cover Plate Set, Privacy Function  
SKU: ET-KM-SN/CP

3



AGB Italian Magnetic Lock  
SKU: B02402.50.34

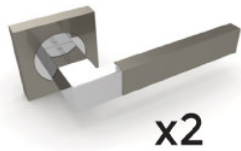
4



Minimal XT Strike Plate  
SKU: B02402.05.34

Passage Function

1



European Handle Set  
SKU: Optional

2



AGB Italian Magnetic Lock  
SKU: B02402.50.34

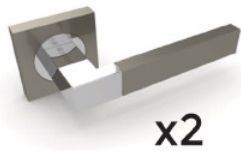
3



Minimal XT Strike Plate  
SKU: B02402.05.34

Dummy

1



European Handle Set  
SKU: Optional

Door Swing Direction

Swing direction refers to the hinged side of the door and the way the door swings: inside or outside of the room or home. It is important to choose correct swing direction. In some cases pre-hung door with wrong chosen swing direction could not be reversed.

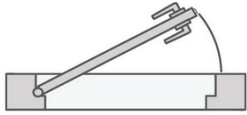
**For ALL GLASS MODELS: Please keep in mind that the shiny side of the glass is always on the OUTSIDE!**

Please review the illustrations below in order to have clear understanding of door swing directions.

### Single Doors Swing Directions

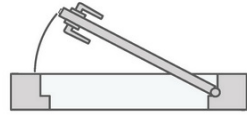
Left or Right Hand means that hinged side of the door is located from your left or right hand side accordingly. Location where you are standing when determining swing direction is considered as outside.

INSIDE



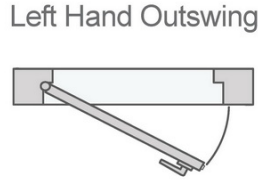
Left Hand Inswing

INSIDE



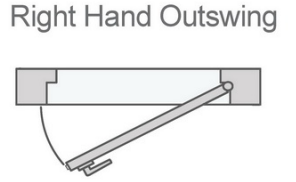
Right Hand Inswing

INSIDE



Left Hand Outswing

INSIDE



Right Hand Outswing

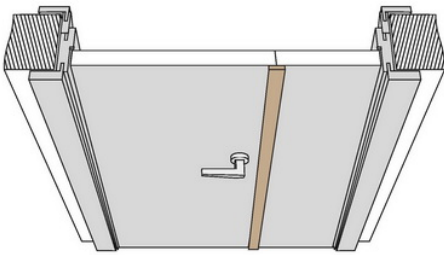
OUTSIDE

OUTSIDE

OUTSIDE

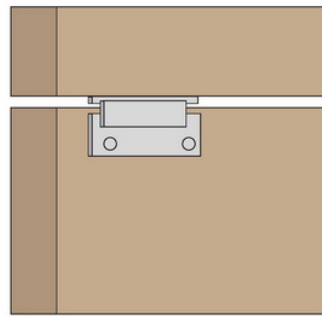
OUTSIDE

### Double Doors Specific Configurations



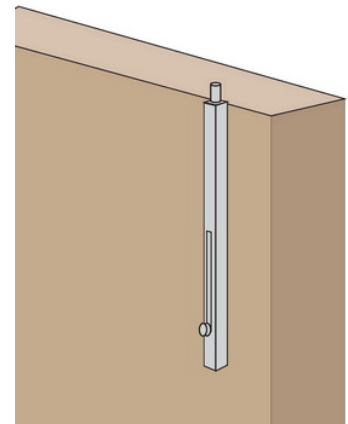
#### Astragal

The Astragal is a flat lath which is used in double door configuration. It mounts to the edge of the door from the outside. Astragal attaches to the non-active door in an inswing direction and on the active door in an outswing direction. Astragal closes the clearance gap between the two slabs. It is made from high-pressed MDF covered by natural wood veneer and has the same finish as the door. Astragals mainly used with the Flush Bolt closure option.



#### Ball and Catch

This is the latching mechanism which consists of a spring and bearing from one side and a receiving striking plate from the opposite side. It is mounted on the top of the door. A strike plate is mounted on the door jamb and a spring and bearing mechanism is installed on a door slab recessed in a hole drilled on the top of the door. This option is generally used on closet doors where a latch is not used or needed. Mainly paired with Dummy Handles or knobs.



#### Flush Bolt

Flush Bolt is a bolt installed on a door side in order to lock it in place. It is mainly used in Double Door Configurations where one door is locked in place and the other is in active use. If necessary the door locked with the flush bolt can be opened.

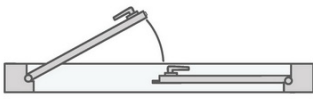
### Double Doors Swing Directions

Swing Direction for double door configuration depends on Closure Option. Double doors with flush bolt closures have one door slab as active and the other as passive. Depending on which slab will be active or passive, swing direction should be chosen.

When the closure option is Ball and Catch then both door slabs will be active and you can choose the way the doors swing; In-swing / Out-swing. Please refer to the following illustration in order to determine your double door swing direction.

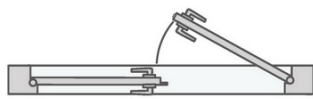
#### Flush Bolt

INSIDE



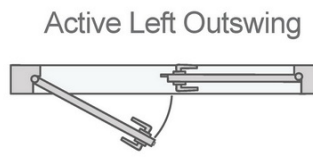
Active Left Inswing

OUTSIDE



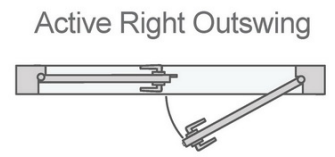
Active Right Inswing

OUTSIDE



Active Left Outswing

OUTSIDE

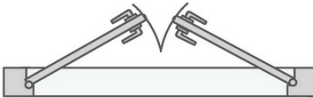


Active Right Outswing

OUTSIDE

### Ball And Catch

INSIDE



Double Door Inswing

OUTSIDE

INSIDE

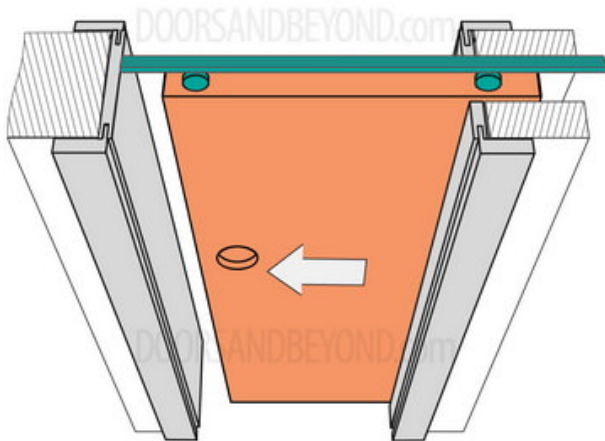


Double Door Outswing

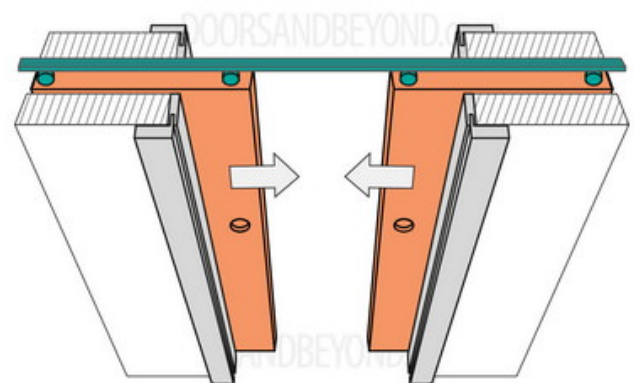
OUTSIDE

### Pocket Doors Information

A **pocket door** is a sliding door that slides back into a compartment (pocket) in the wall. These types of doors slide right into the wall and don't have any hinges like standard swing doors. Also these doors don't have any swing direction. Please review the illustrations below in order to have clear idea of pocket doors in single and double configurations.



Single Pocket Door



Double Pocket Door

Pocket doors are usually used when there is no room for the swinging door or for achieving an architectural effect.

The Door Slab slides on rollers that are placed in an overhead track. In some cases bottom door guides are needed for a stable slide.

### Pocket Door Hardware

We use Johnson Hardware Pocket Door Frames (1500 and 2060 Series). They are one of the best pocket door frames on the market and this particular models are compatible with our door slabs. You can choose pocket door pulls and locks when configuring your door. Choice of passage or privacy, Kwikset and Emtek brand quality locks available.



**Pocket Door Pulls/Locks**

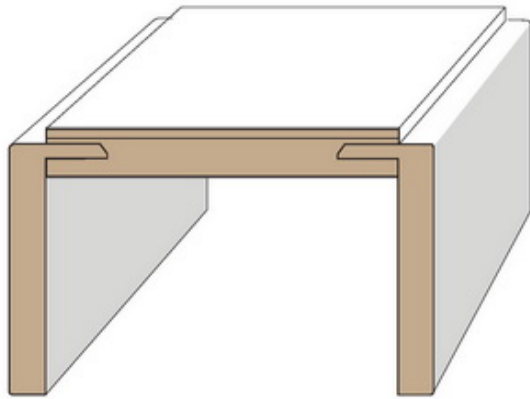


**Johnson Hardware 1500 Series Pocket Door Frame**

## Pocket Door Construction Overview

Our pocket doors have several components that you can configure when buying.

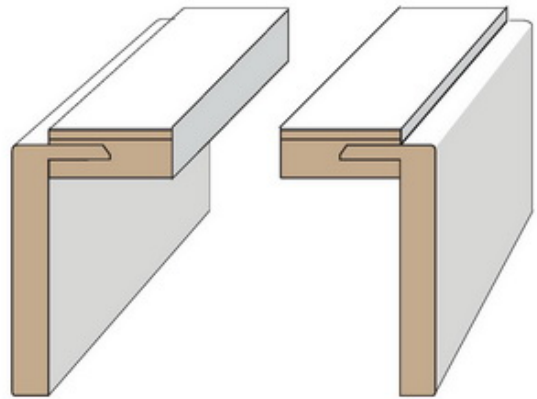
**P**



### Pocket Door Strike Jamb (Vertical)

Made from solid wood or marine plywood base with grooves from the bith sides. The width of the pocket door strike jamb is 6", which is adjustable to 7" using the L-Casing molding.

**P**



### Pocket Door Split Jambs

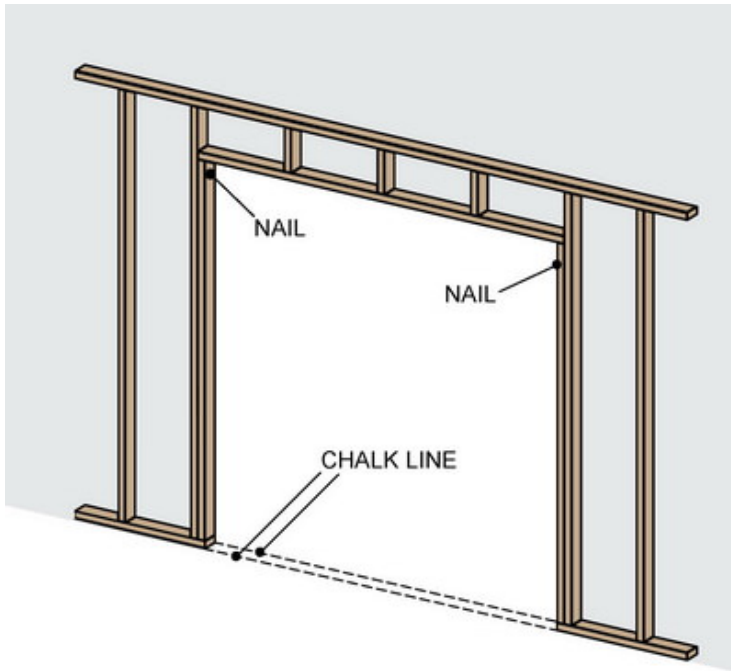
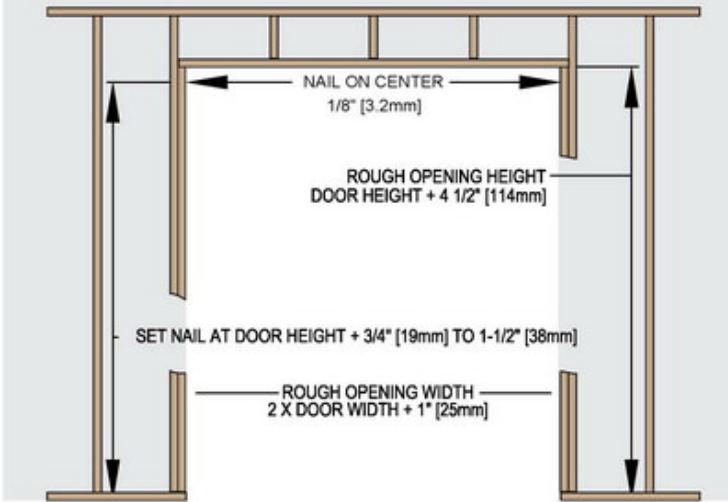
Made from high-pressed MDF. Groove from one side and flat from another. Can be cut to measure.

## Pocket Door Installation

Installation of Pocket door requires some professional skills and tools and needs more preparatory work than regular swing door.

## Wall Preparation

**Construct Rough Opening** header must be SQUARE and PLUMB with studs and LEVEL. Minimum Height is 84 1/2" (2,14m) width is 2x Door width plus 1" (25mm).

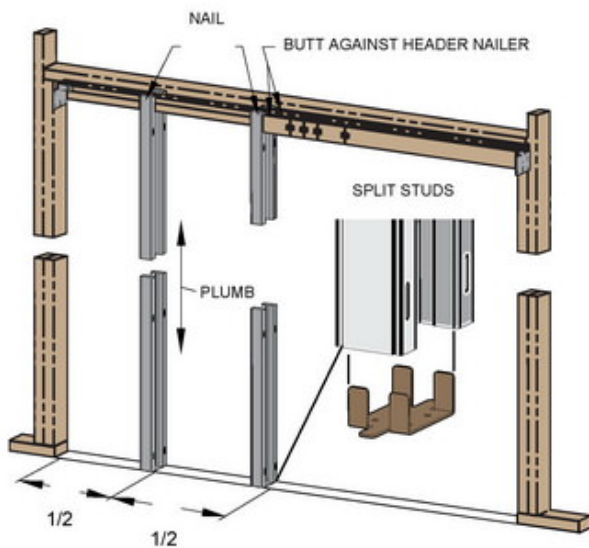
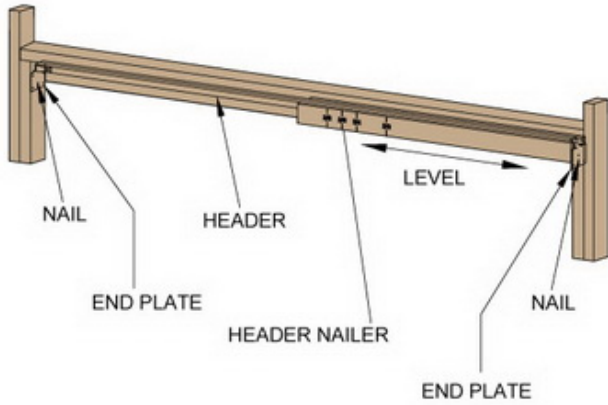


**Measure** up from finished floor 80-3/4" (2.05m) or from sub-floor to 81-1/2" (2.07m). This will give 3/4" (19mm) to 1-1/2" (38mm) clearance under door. Mark each rough stud and drive a flat head nail on center, leaving 1/8" (3mm) protruding. (Frame header end brackets will rest on these nails).

3. Snap a chalk line on floor even with side jamba.

## Installing Pocket Frame Header

Slip slots in Frame Header End Plates over nails in rough studs. **LEVEL HEADER.** Set nails and drive nails through remaining holes in end plates. (If you have the 2/6" (761mm) or Universal Frame and using another size door, cut Frame Header according to cutting instructions)

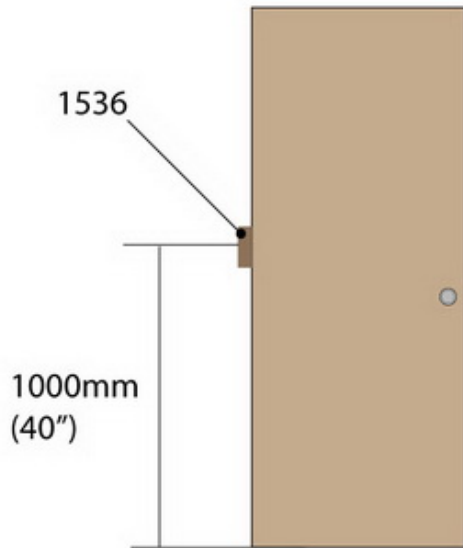


(Note: If using 1-3/4" (45mm) door, use 1575 Adapter Kit.) Slip fingers of Floor Plate into Split Studs as shown. Butt Split Studs against header nailer and nail into place. Nail other Split Studs midway in "Pocket" opening. Plumb Split Studs between chalk lines and nail to floor. (On masonry, use industrial adhesive or Tapcon fasteners.)

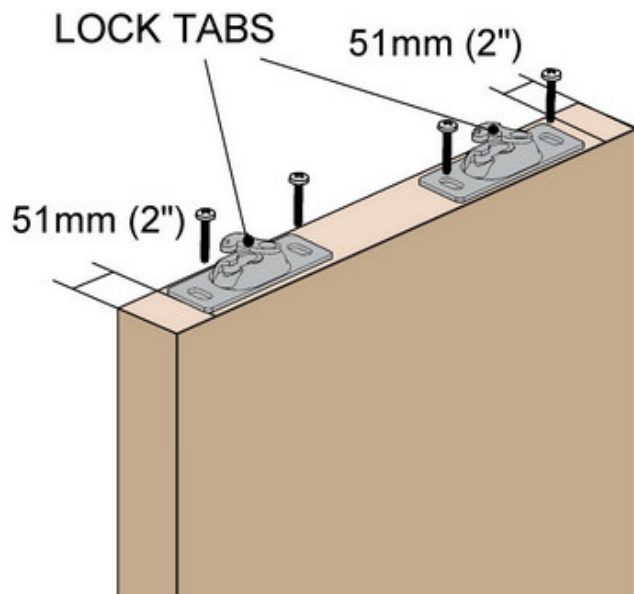
6. Apply desired wall material. Wall material is brought clear to edge of opening. **WARNING:** Use nails no longer than necessary. Nails must not protrude into pocket or door will be damaged. To provide a firm nailing surface, slip a 2-1/8" (54mm) wide board between Split Studs temporarily.

## Door Preparation

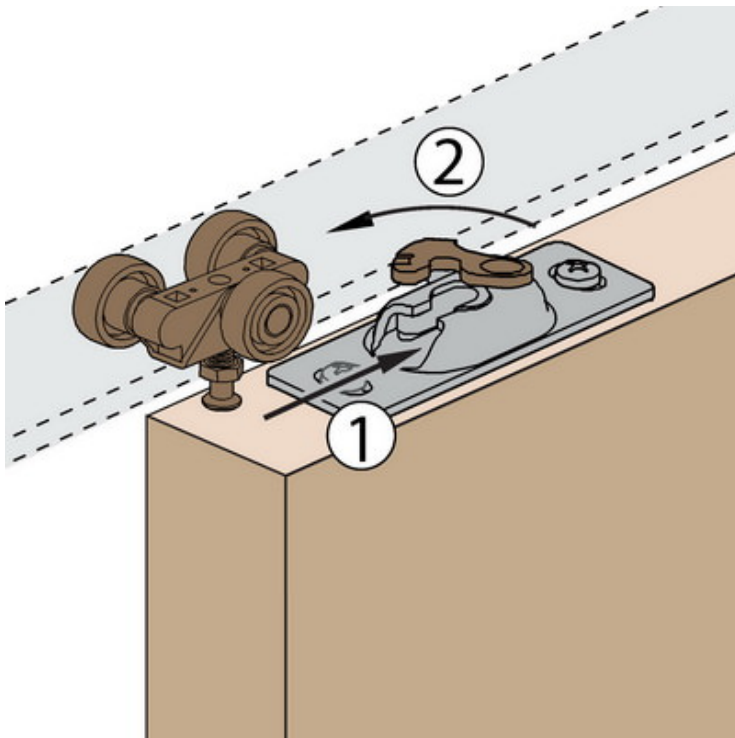
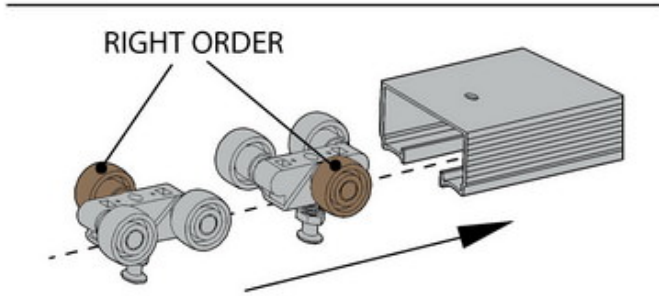
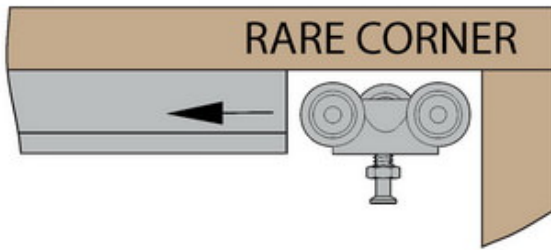
Fasten 1513 Bumper on back edge of door 40" (1m) from bottom edge



Attach door plate 1121 on top of door 2" (50mm) from each edge with **lock tab on same side**.



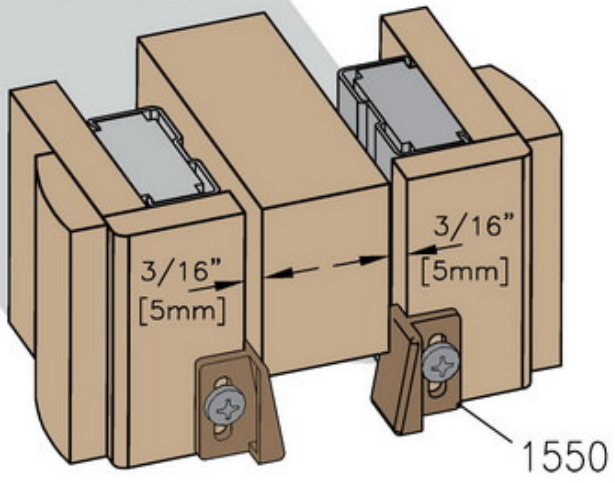
Insert hangers 1120 into track **alternating wheel wheel positions** for even weight distribution



Mount door by locating door plate 1121 under adjusting bolt of 1120 hanger. Lift door and push bolt into door plate. Repeat with other hanger/door plate

Fasten 1550 Guides on finished split jambs at door bottom so door is held in center of opening.

**DOOR**



**FLOOR**