

No matter what problems or questions you encounter during the installation or use of the chandelier, please feel free to contact us, we will reply to you within 24 hours and quickly solve or answer for you!
When you leave a message to us online, please leave your order ID and case details. The more detailed and accurate descriptions you provide, the faster and more accurate solutions we will offer!



SAFETY INSTRUCTIONS

These instructions are provided for your safety. It is very important that you read the instructions completely before starting the installation of your fixture.

1. We recommend installation by a licensed electrician .
2. This fixture require E26 bulbs(INCLUDED) and bulb rated wattage: Max 10W. Low wattage LED bulbs are recommended. To avoid risk of fire, do not exceed the recommended wattage.
3. If any special control devices are used with this fixture, follow the instructions carefully to assure full compliance with N.E.C. requirements. If there are any problems, contact a qualified electrical contractor.
4. Please ensure that you shut off the main electrical supply before installation, changing bulbs or cleaning light fixture.



WARNINGS

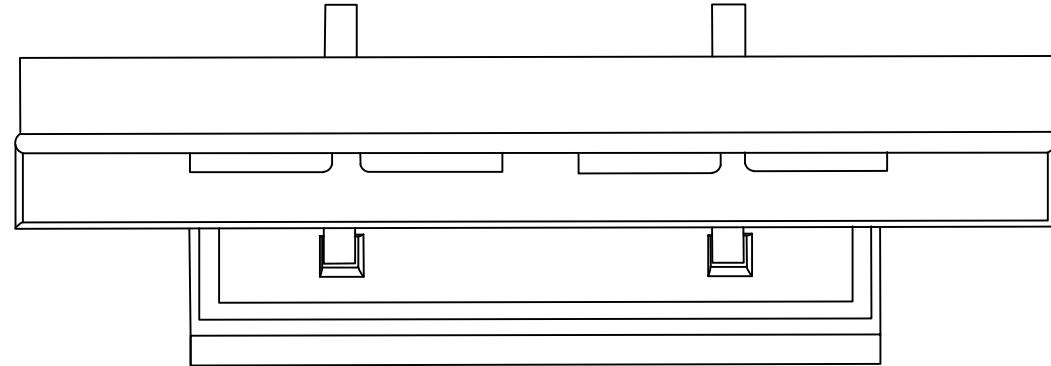
This is not a toy and the product has no play value.
Keep at least 3 feet away from cribs, bassinets and toddler beds.
Keep out of reach of children under 3 years of age.



PREPARATION

1. Please prepare the E12 bulbs in the package in advance.
2. Please keep the installation place clean and tidy to avoid missing tiny accessories.



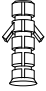

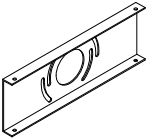
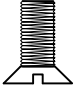
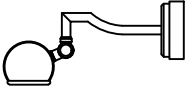
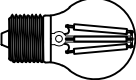
INSTALLATION MANUAL



This manual only shows the installation steps for one size, and the installation methods for other sizes of products are similar.

Now, let's complete this light together.
Be patient
and fully utilize your artistic talent
What awaits you after completion is incredible beauty!

Parts List

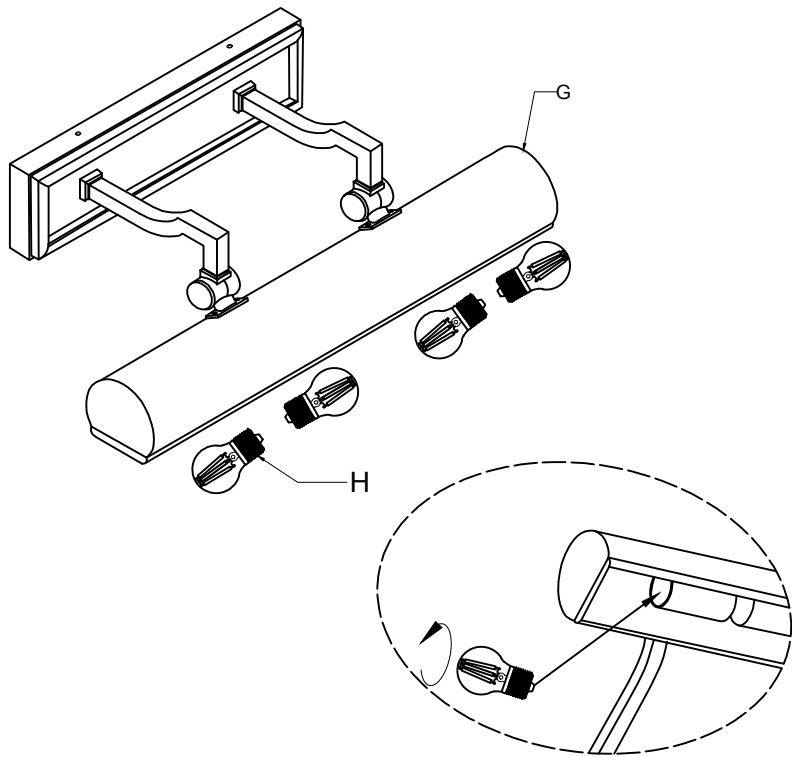
A*3 	B*2 	C*4 	D*4 
E*1 	F*4 	G*1 	H*4 
I*0	J*0	K*0	L*0
M*0	N*0	O*0	P*0
Q*0	R*0	S*0	T*0

Please note:

Please check the parts list firstly, if there are any parts missing during your actual installation, contact us immediately, we will help you in time!

STEP IV Hanging Pendants

Step 4



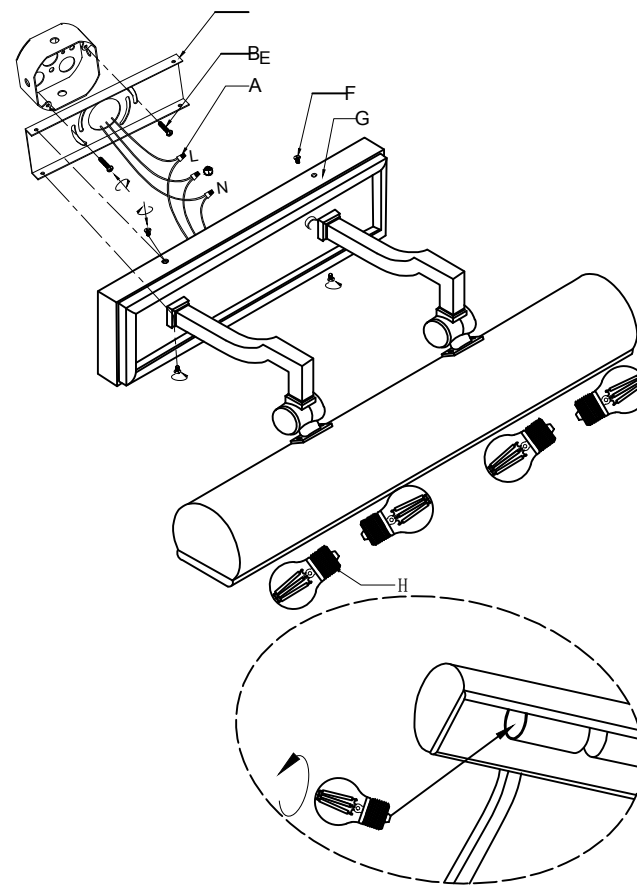
FAQ

Q:What if the bulb is not vertical when installing?

A:We can loosen the bulb to fine-tune the angle. Ensure the light bulb is vertical when being locked! So that the light bulb will not touch the inner wall of the lampshade!

STEP I Unpacking

Open the box, and take out all the accessories, you will get the following items.



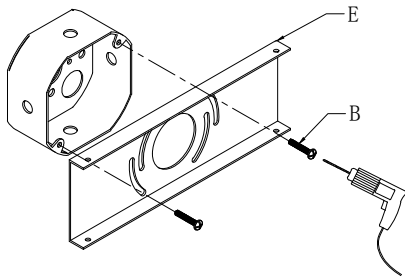
FAQ

Q:After opening the box, I found the fittings broken, what should I do?

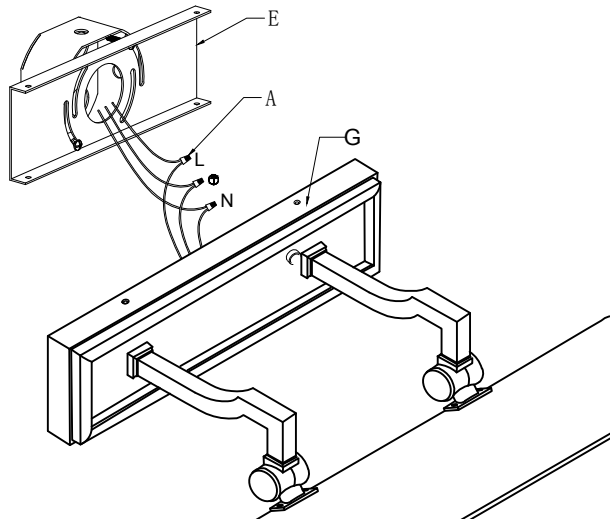
A:We have prepared spare fittings in each box, which are sufficient for your installation. If any spare accessories are broken, please contact us in time and we will send you new ones.

STEP II Wiring and Mounting

Step 1



Step 2



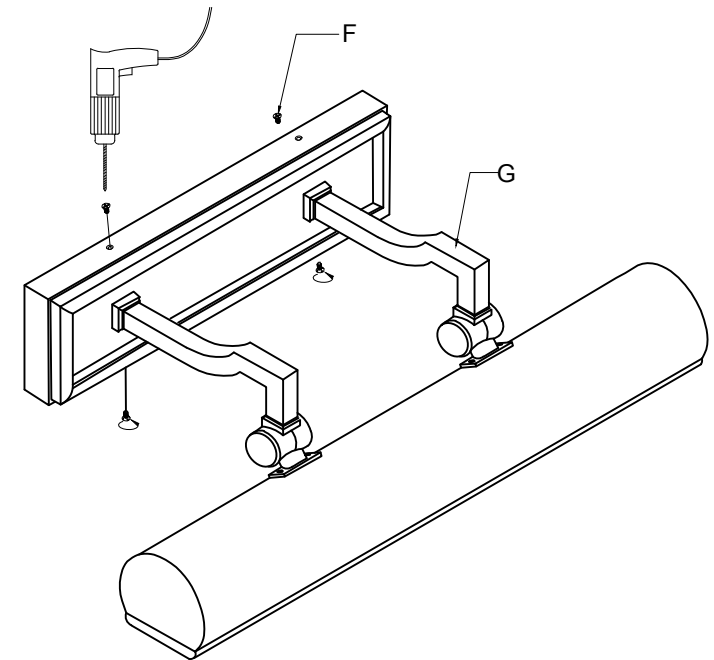
FAQ

Q:How do I differentiate between Neutral wire, Live wire and Ground wire?

A: We have distinguished markings between the N and L wires and the brass wire on the mounting bracket is the ground wire.

STEP III Mounting the Lamp

Step 3



FAQ

Q:Is the shade adjustable for angle?

A: Yes, the lampshade can be adjusted with the use of the scene to adjust the appropriate angle.