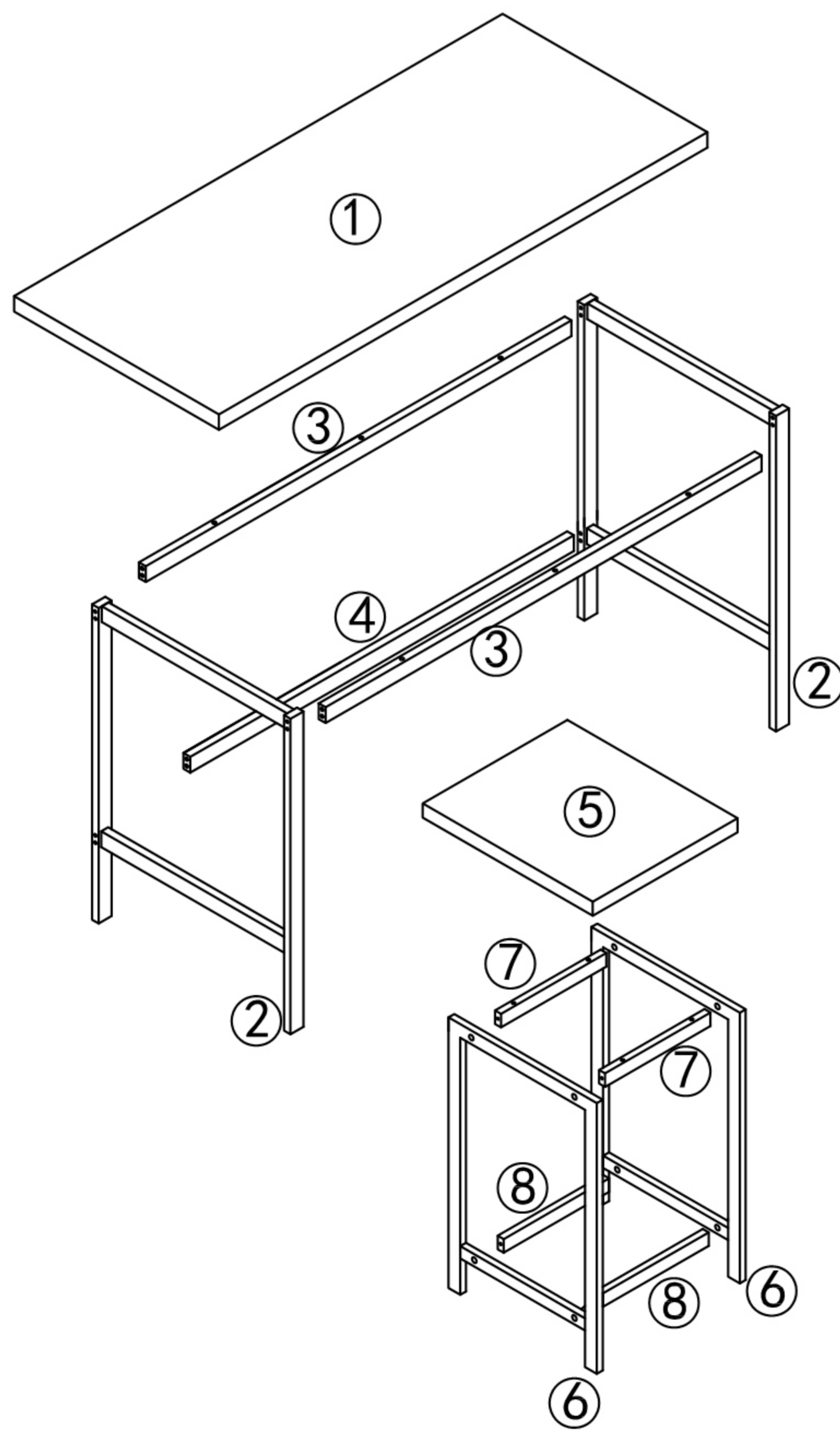
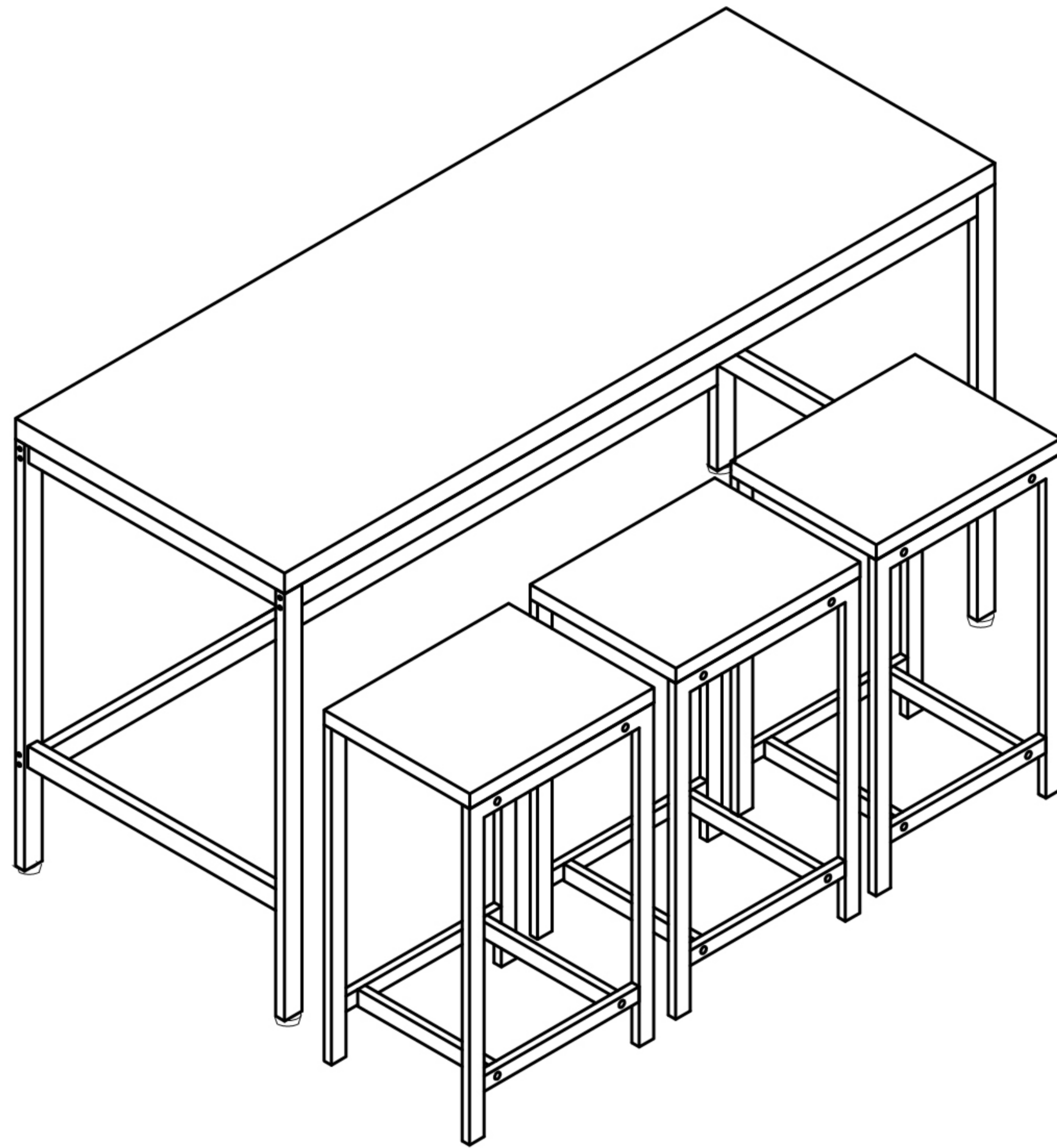
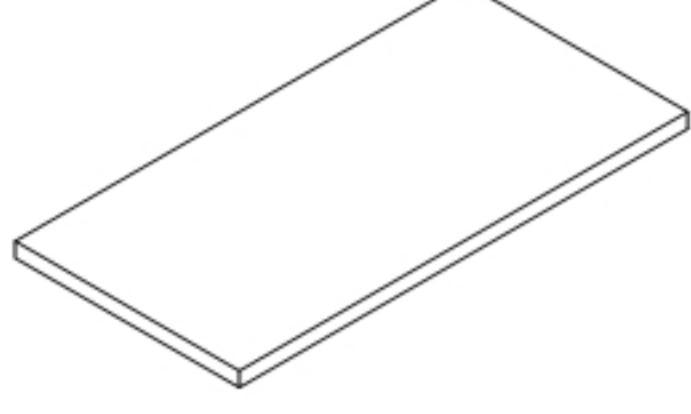
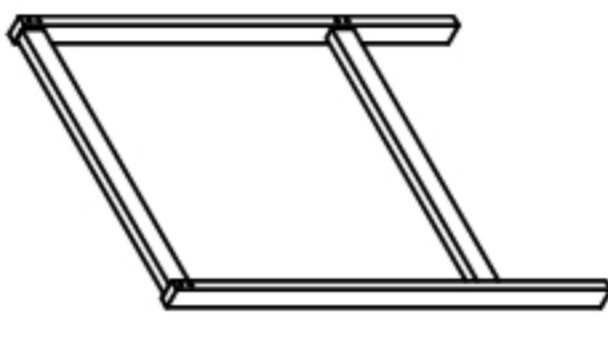
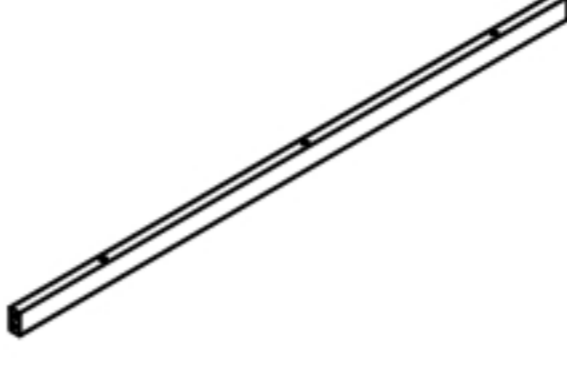
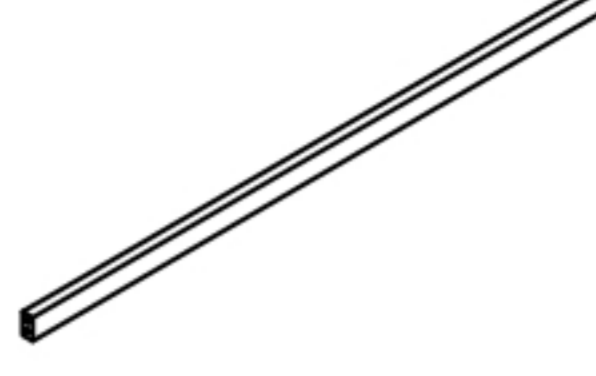
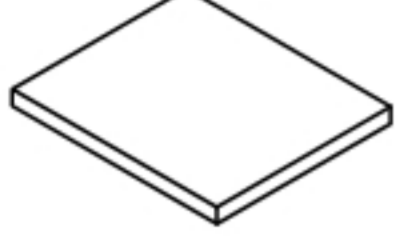
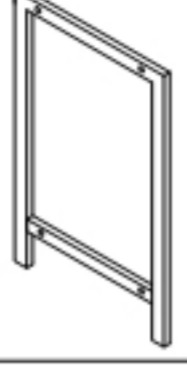








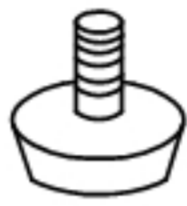

ASSEMBLY INSTRUCTIONS

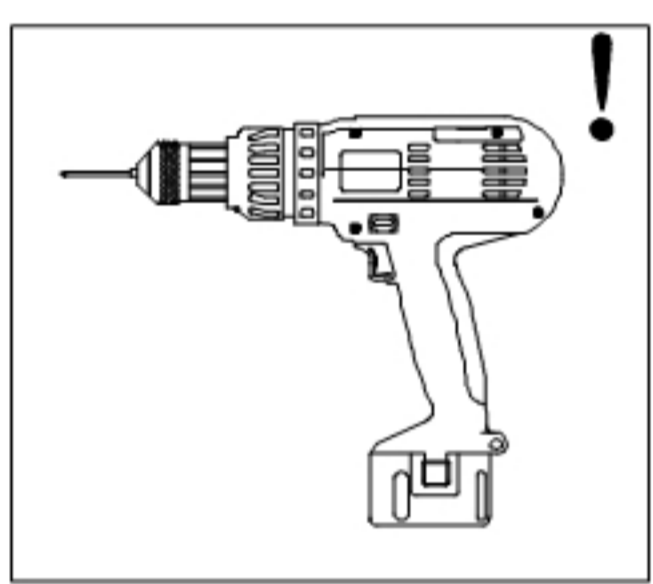


Part List

			
① x 1pc	② x2pcs	③ x2pcs	④ x1pc
			
⑤ x 3pcs	⑥ x6pcs	⑦ x 6pcs	⑧ x6 pcs

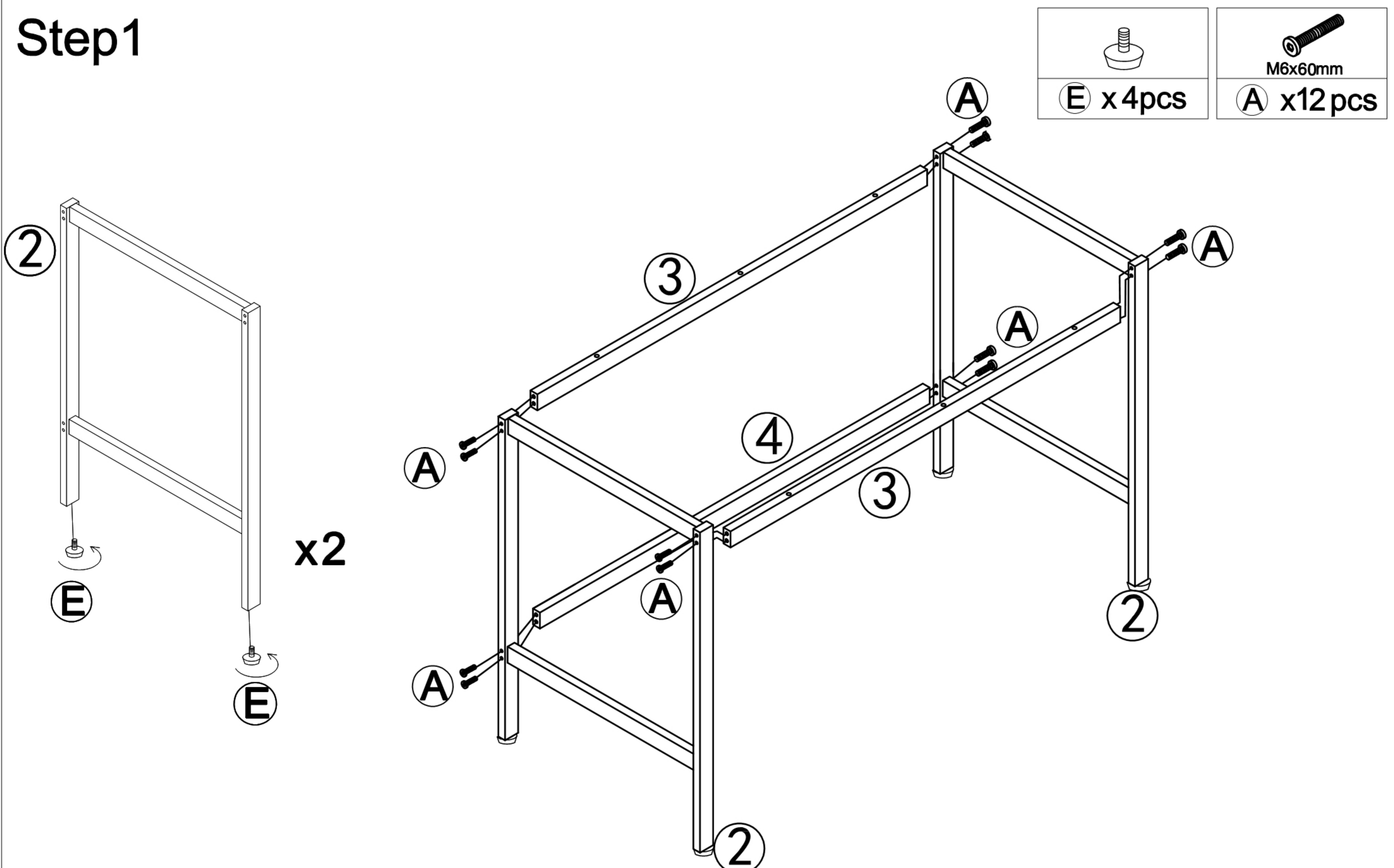
Hardware List

					
M6x60mm	M6x50mm	M6x40mm	M6x35mm		
Ⓐ x12 pcs	Ⓑ x 6pcs	Ⓒ x12pcs	Ⓓ x24pcs	Ⓔ x4pcs	Ⓕ x1pc



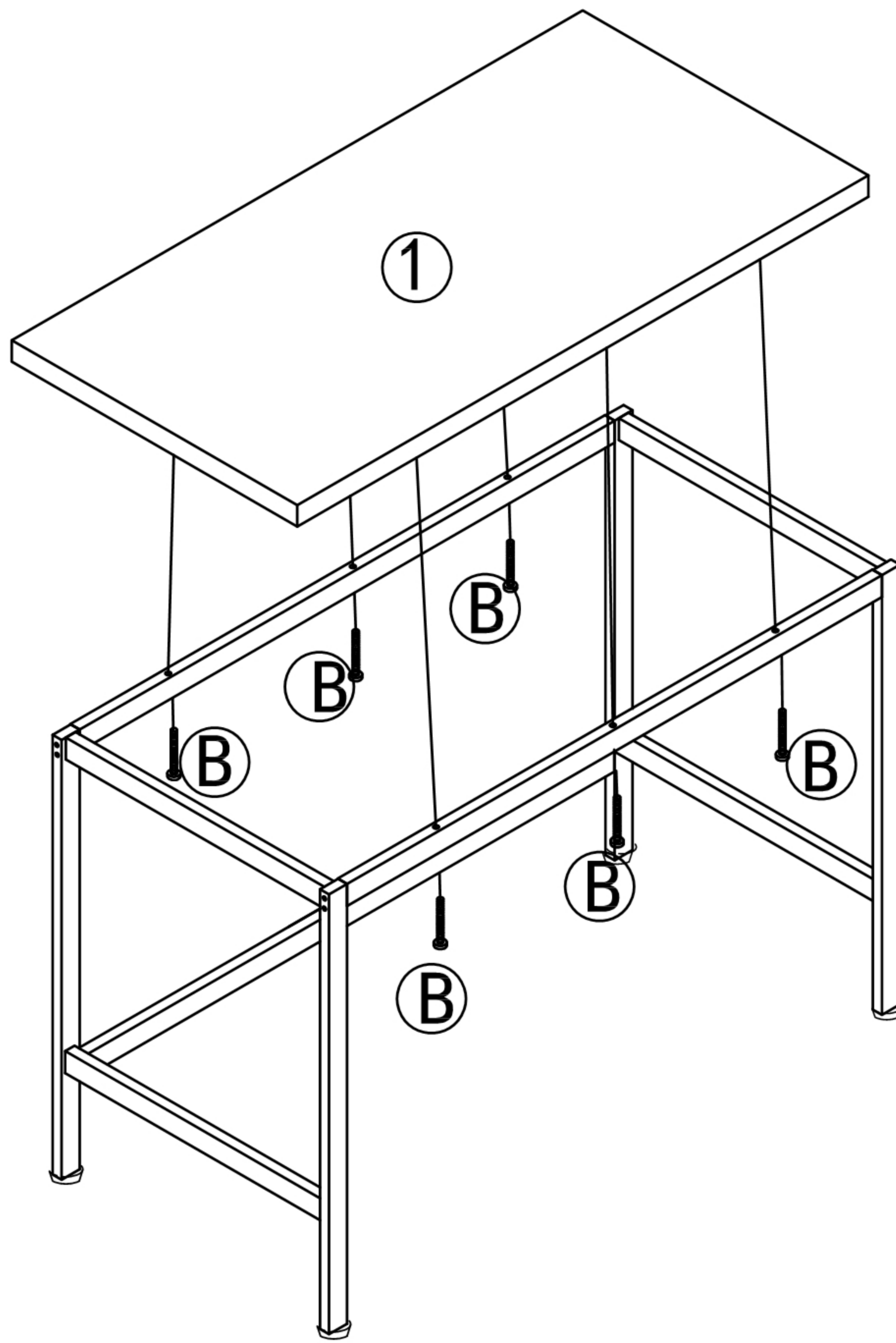
PLEASE BE CAREFUL DO NOT DAMAGE THE HOLE POSITION WHEN YOU USE POWER TOOLS!

Step 1



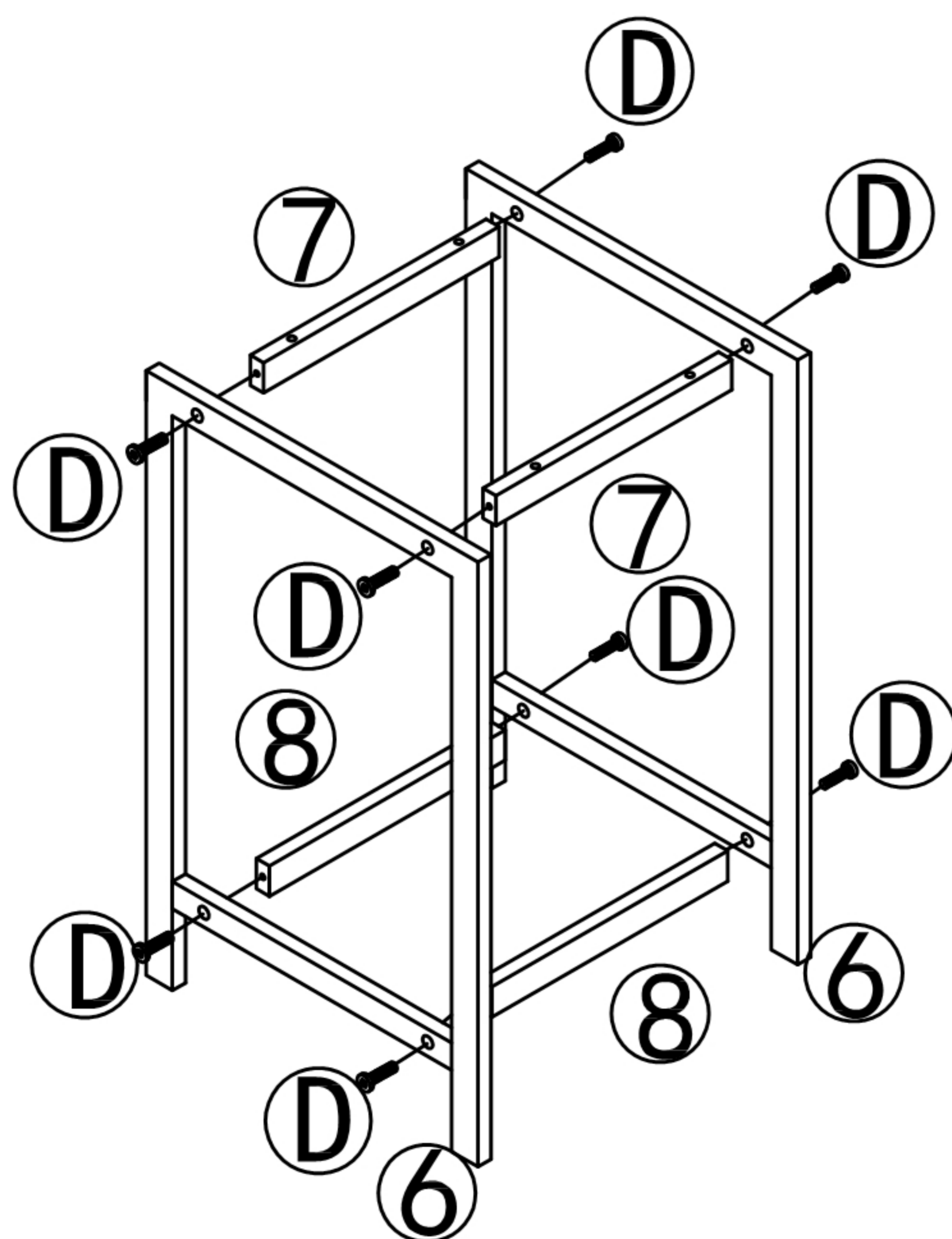
Step2


M6x50mm
B x 6pcs



Step3

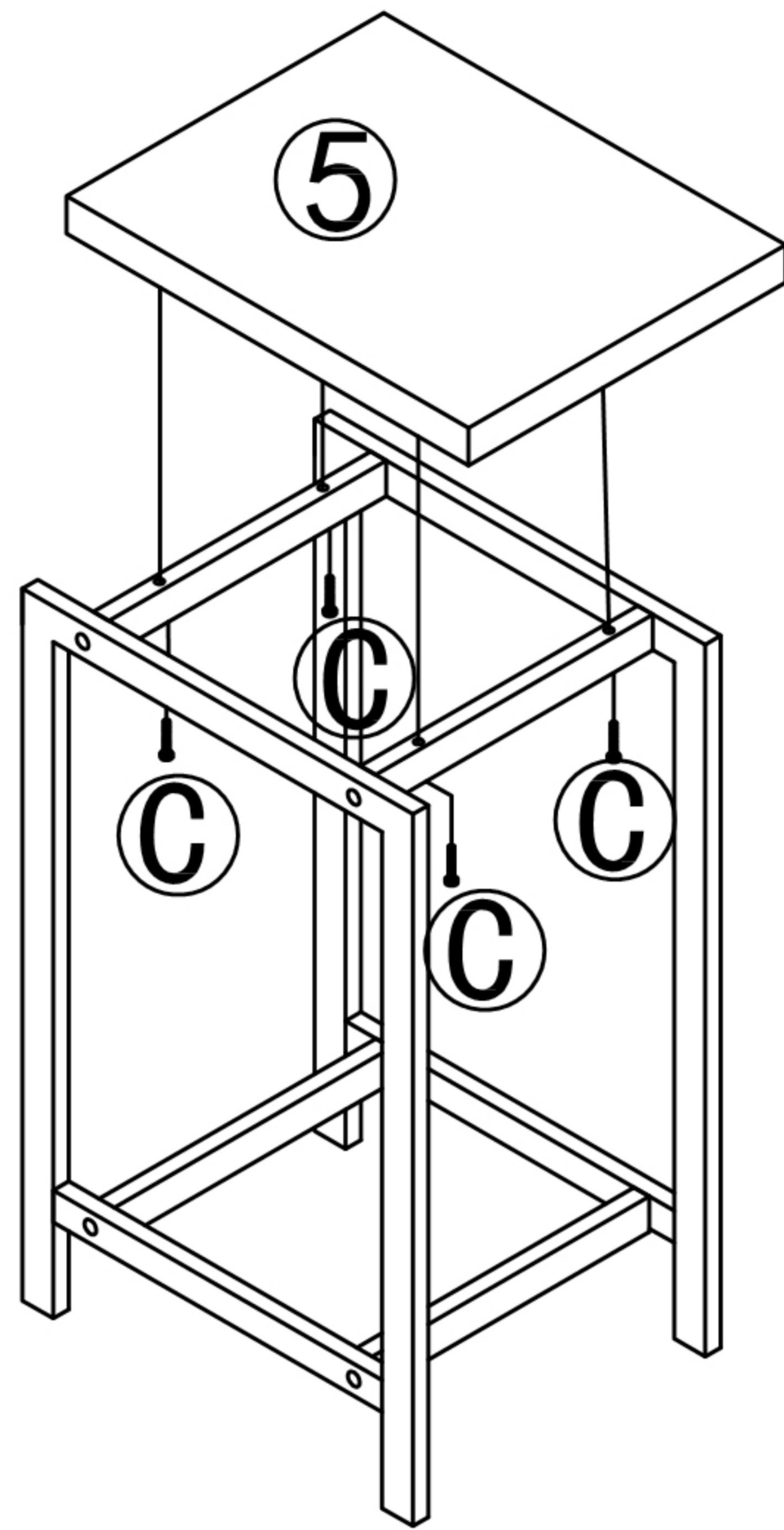

M6x35mm
D x 24PCS



X3

Step4


M6x40mm
C x12PCS



X3

Step5

