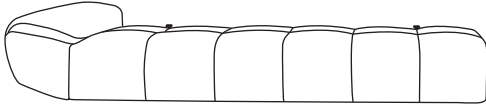
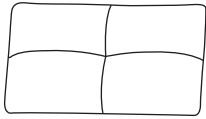
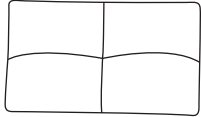


ASSEMBLY INSTRUCTION

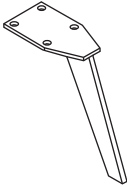

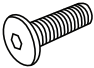


LEFT SIDE 2-SEATER WITH DUAL-POSITION BACKS FOR ADJUSTABLE SEAT DEPTH (2L)

NOTE: Do not use power tools for assembly. Power tools increase the risk of over tightening which leads to splitting or cracking the wood.

COMPONENT LIST

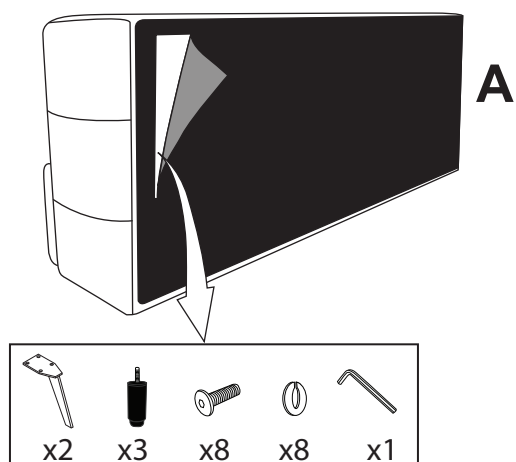
| NO. | DRAWING | QTY | DESCRIPTION |
|----------|--|-------------|-----------------------------|
| A |  | 1 PC | SEAT |
| B |  | 1 PC | LSF BACK REST |
| C |  | 1 PC | CENTER BACK REST |

HARDWARE LIST

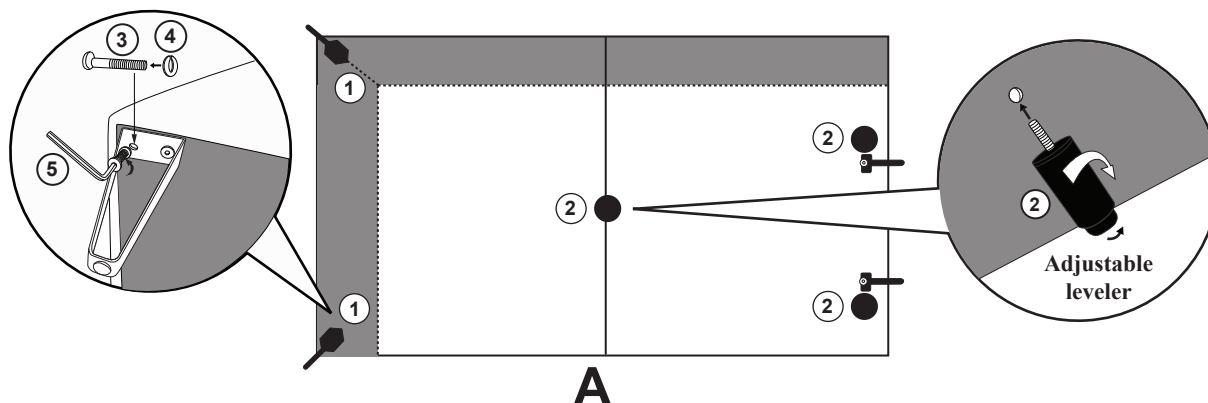
| NO. | DRAWING | QTY | DESCRIPTION |
|----------|---|--------------|---|
| 1 |  | 2 PCS | METAL LEG (178MM) |
| 2 |  | 3 PCS | METAL ADJUSTABLE LEG (177MM) |
| 3 |  | 8 PCS | BOLT (8x28MM) |
| 4 |  | 8 PCS | LOCK WASHER (16MM) |
| 5 |  | 1 PC | ALLEN KEY (80MM) |

STEP#1

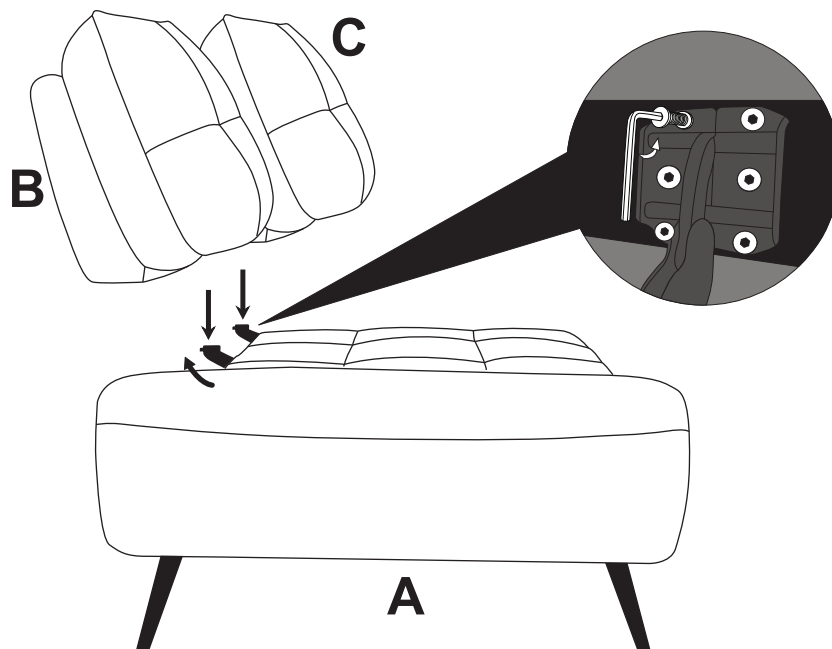
Unzip the dust woven cover underneath of the seat (A), take out hardware package for assembly.

**STEP#2**

Align and attach legs (1) to chair, insert bolts (3) and washers (4) and tighten with Allen key (5). Attach and rotate clockwise to tighten the adjustable leg (2). Adjust the adjustable leg height to be level with floor.

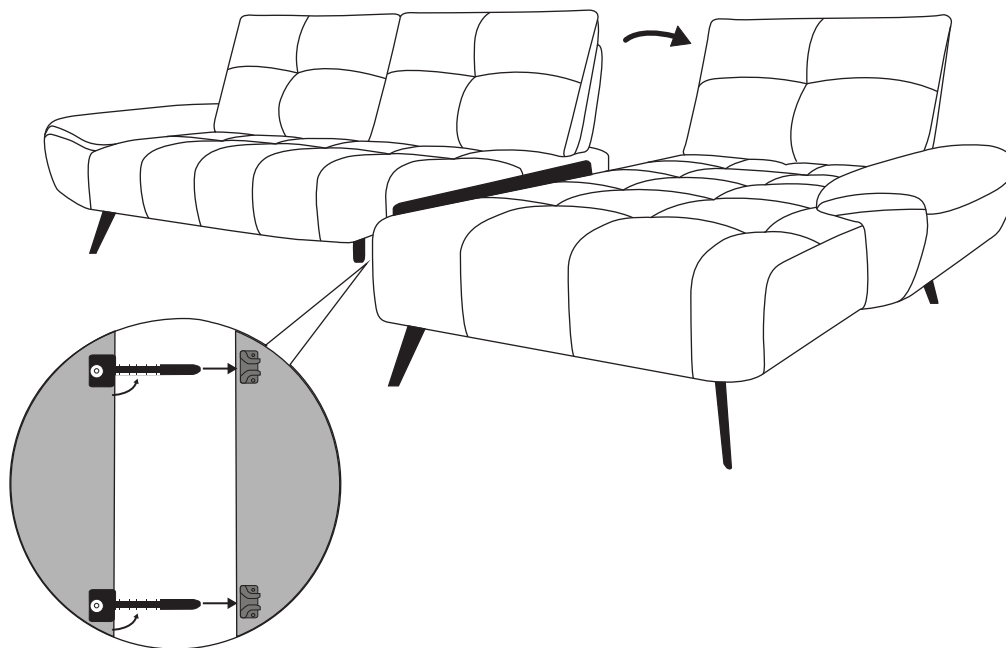
**STEP#3**

Pull up the bracket of backrest. Untighten the bolt on the bracket of LSF and Center backrest (B) & (C). Align the male connecting brackets of LSF and Center backrest (B) & (C) onto the female brackets of seat (A), and tighten the bolt.

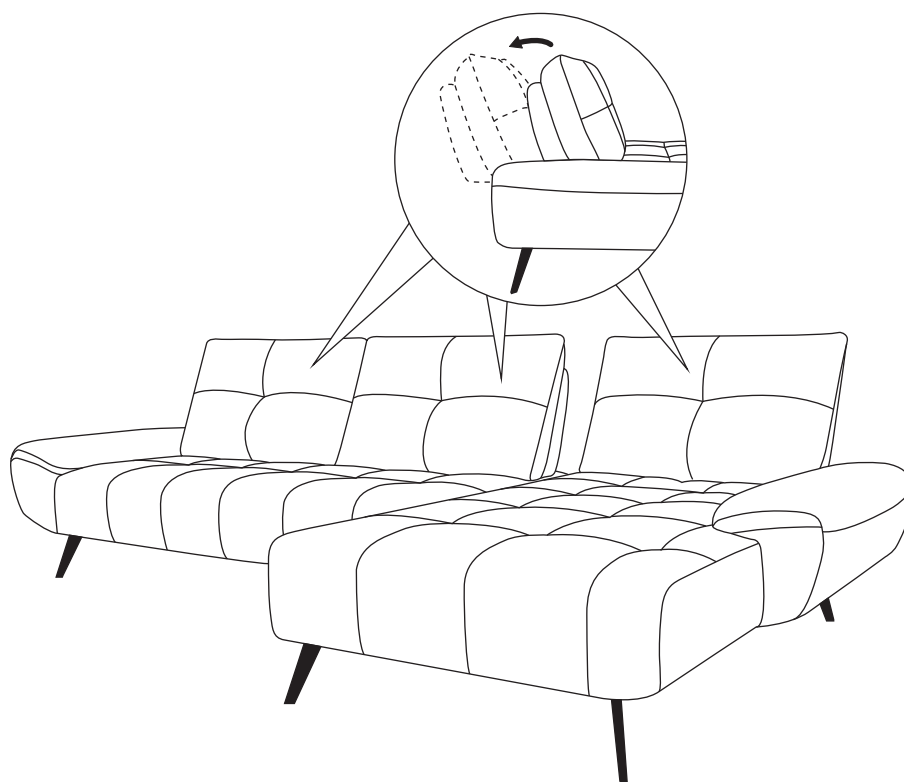


STEP#4

Align and push the connector to the end to lock in position properly.

**STEP#5**

Lift up back cushion to push back back cushion.

**CARE INSTRUCTION FOR POLYESTER:**

In order to maintain the original appearance of your polyester furniture, please follow below simple care procedure :

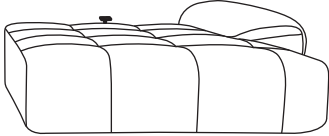
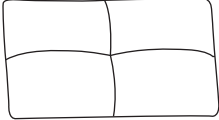
- Avoid exposing furniture directly to sunlight or heating and air conditioning outlets. Exposure to sunlight or heating and air conditioning outlets will fade/damage polyester.
- Wipe gently with a damp soft cloth to remove dust, dirt and any grime build up.
- Hardware may loosen over time. Periodically check to make sure all connections are tight. Re-tighten if necessary.

ASSEMBLY INSTRUCTION

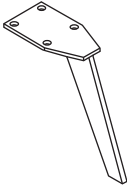

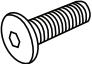


RIGHT SIDE CHAISE WITH DUAL-POSITION BACK FOR ADJUSTABLE SEAT DEPTH (RC)

NOTE: Do not use power tools for assembly. Power tools increase the risk of over tightening which leads to splitting or cracking the wood.

COMPONENT LIST

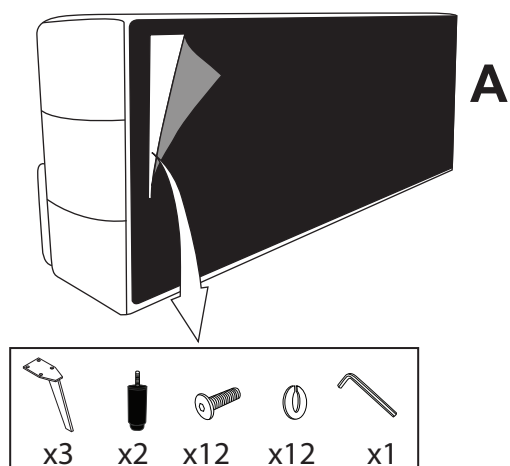
| NO. | DRAWING | QTY | DESCRIPTION |
|----------|---|-------------|------------------|
| A |  | 1 PC | SEAT |
| B |  | 1 PC | BACK REST |

HARDWARE LIST

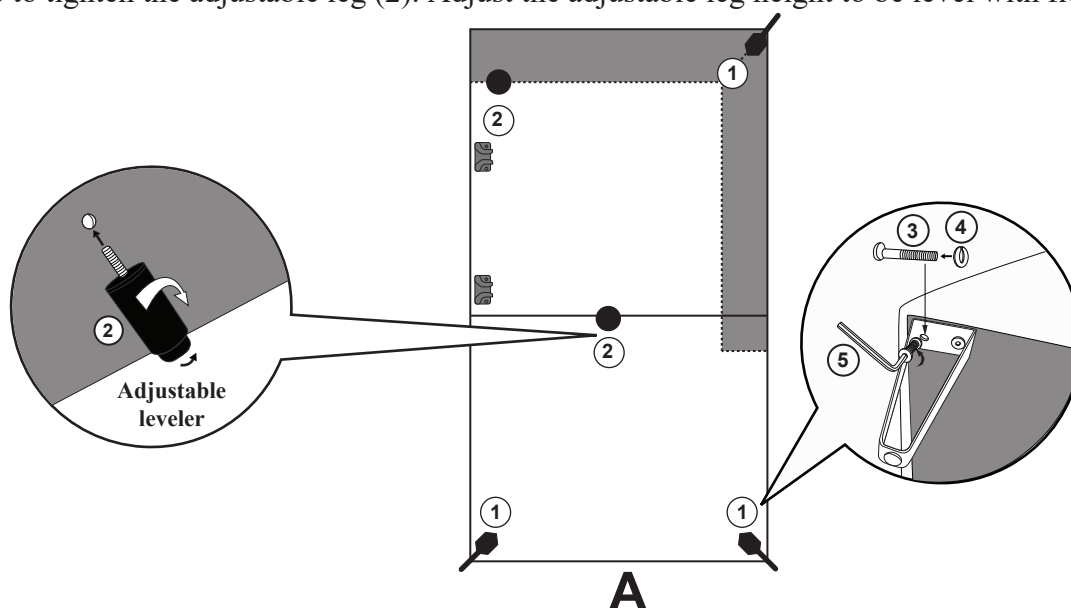
| NO. | DRAWING | QTY | DESCRIPTION |
|----------|---|---------------|---|
| 1 |  | 3 PCS | METAL LEG (178MM) |
| 2 |  | 2 PCS | METAL ADJUSTABLE LEG (177MM) |
| 3 |  | 12 PCS | BOLT (8x28MM) |
| 4 |  | 12 PCS | LOCK WASHER (16MM) |
| 5 |  | 1 PC | ALLEN KEY (80MM) |

STEP#1

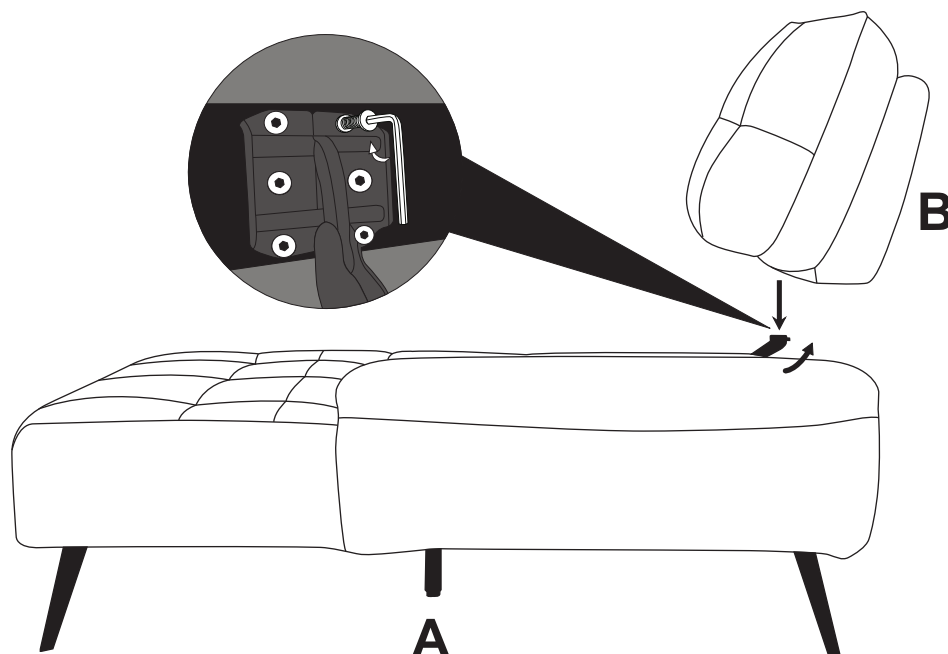
Unzip the dust woven cover underneath of the seat (A), take out hardware package for assembly.

**STEP#2**

Align and attach legs (1) to chair, insert bolts (3) and washers (4) and tighten with Allen key (5). Attach and rotate clockwise to tighten the adjustable leg (2). Adjust the adjustable leg height to be level with floor.

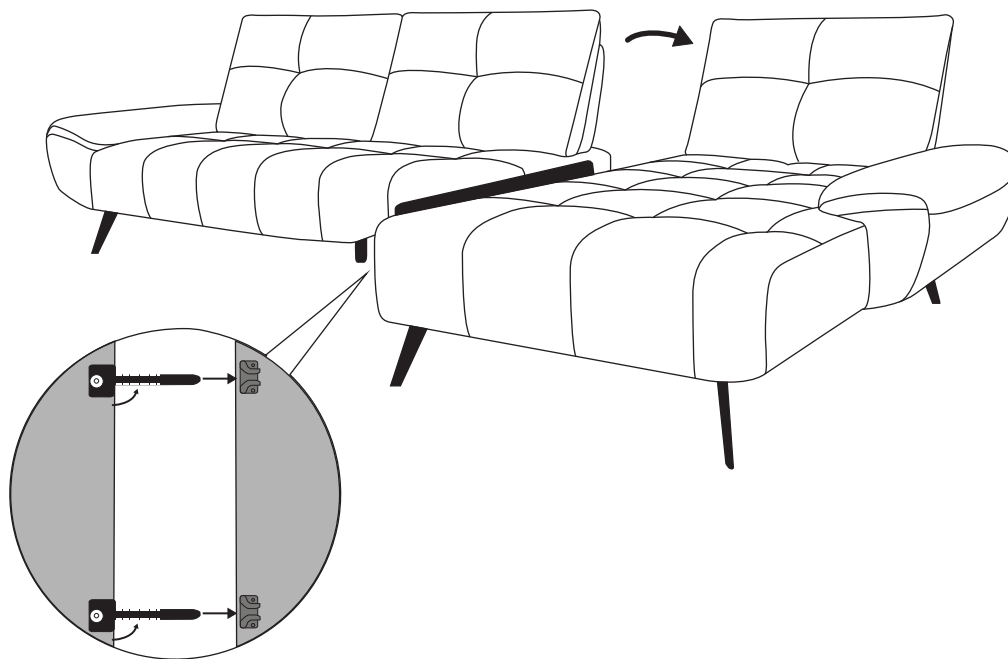
**STEP#3**

Pull up the bracket of backrest. Untighten the bolt on the bracket of RSF backrest (B). Align the male connecting brackets of RSF backrest (B) onto the female brackets of seat (A), and tighten the bolt.



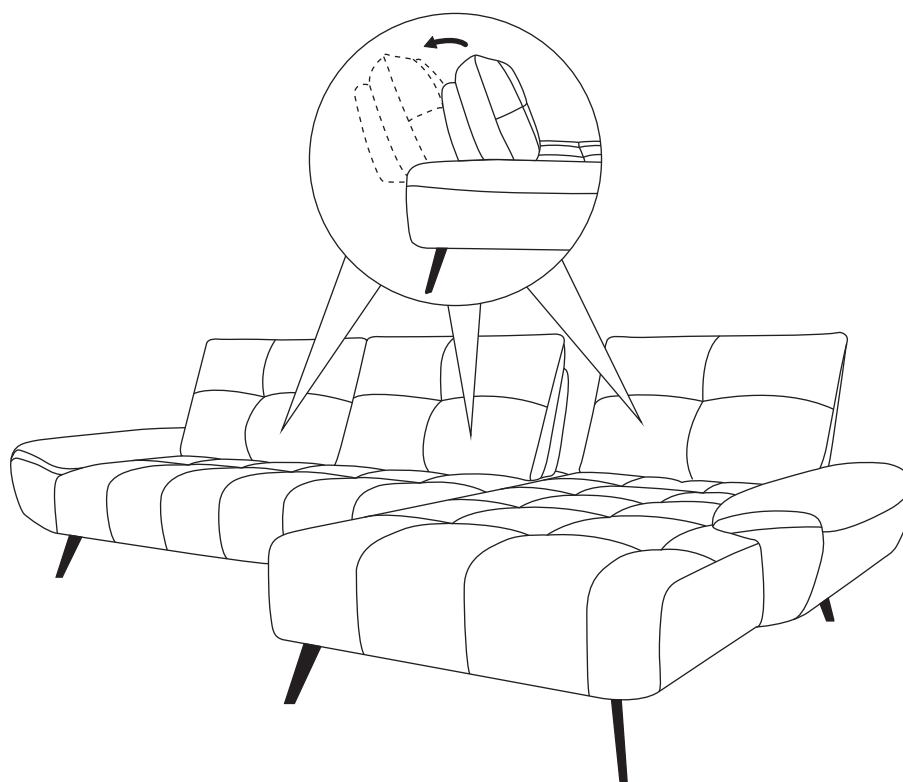
STEP#4

Align and push the connector to the end to lock in position properly.

**STEP#5**

Operating instruction.

Lift up back cushion to push back back cushion.

**CARE INSTRUCTION FOR POLYESTER:**

In order to maintain the original appearance of your polyester furniture, please follow below simple care procedure :

- Avoid exposing furniture directly to sunlight or heating and air conditioning outlets. Exposure to sunlight or heating and air conditioning outlets will fade/damage polyester.
- Wipe gently with a damp soft cloth to remove dust, dirt and any grime build up.
- Hardware may loosen over time. Periodically check to make sure all connections are tight. Re-tighten if necessary.