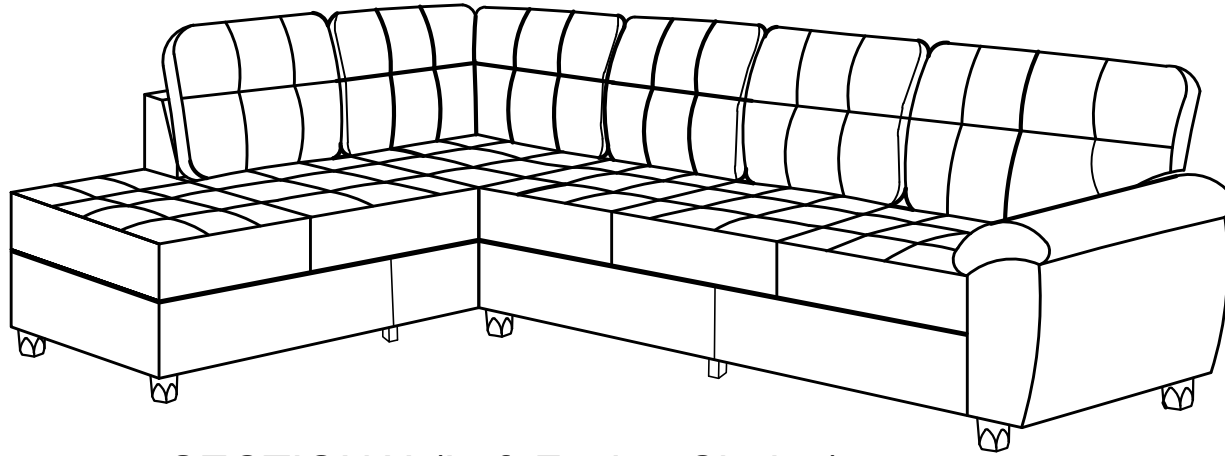
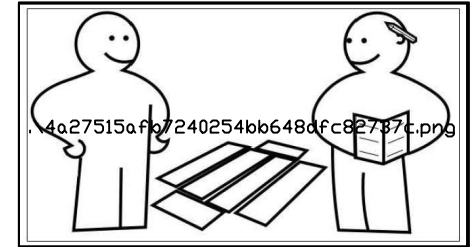


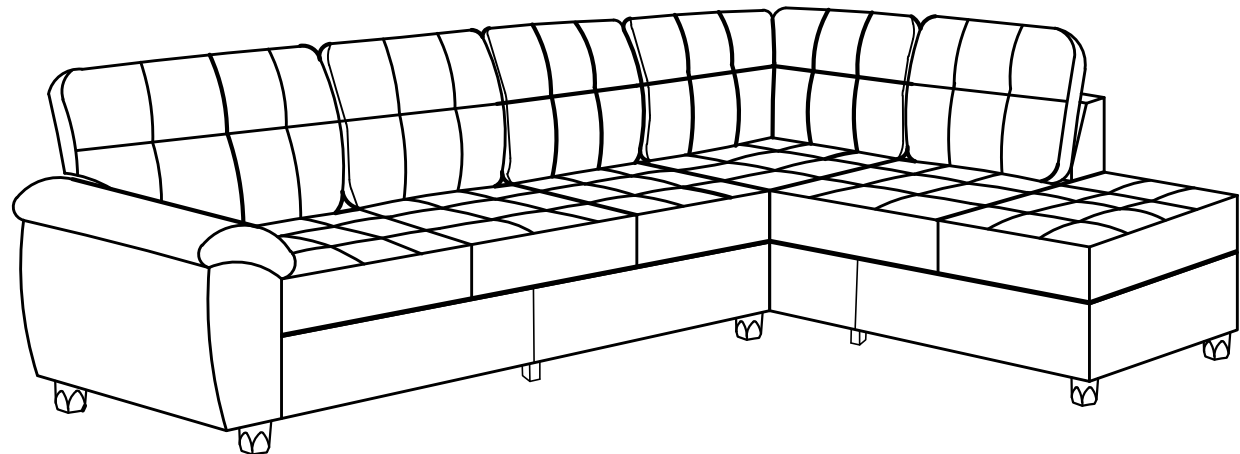
ASSEMBLY INSTRUCTION



SECTIONAL(Left Facing Chaise)



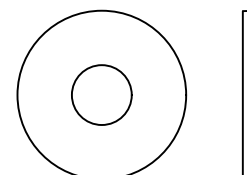
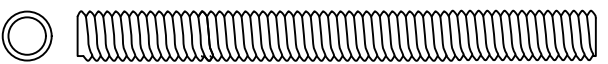

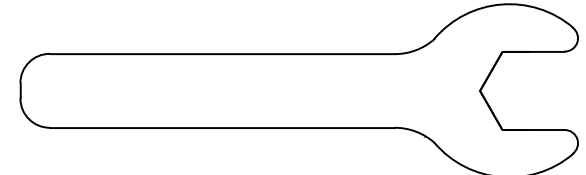
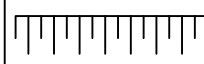


Attention:
Two people are required for
assembly and lifting unit.



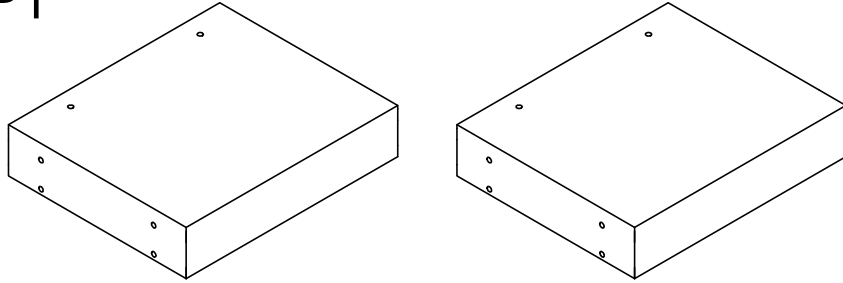
SECTIONAL(Right Facing Chaise)

HARDWARE LIST

		
A	B	C
1PC	4PCS	22PCS
Allen Key	JCBC Bolt 5/ 16 X 70mm	Flat Washer 5/ 16 x 25mm
		
D	E	F
14PCS	18PCS	1PC
Threaded Rod 5/16 x 75mm	Nut 5/16 x 12mm	Spanner
<div style="border: 1px solid black; padding: 5px; display: inline-block;"> <p style="margin: 0; font-size: 24px; font-weight: bold;">1 : 1</p>  </div>		

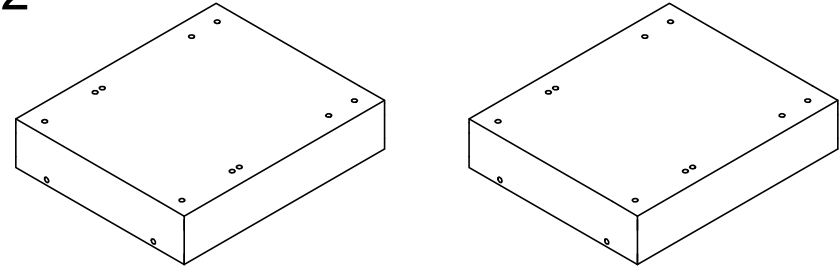
PART LIST

P1



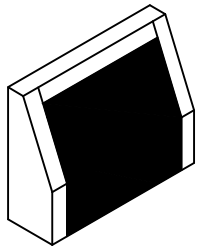
SOFA BASE - (2PCS)

P2



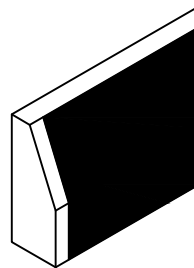
CHAISE BASE (2PCS)

P3



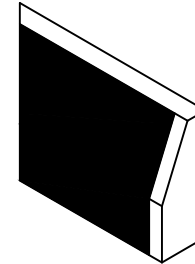
BACK REST - SHORT (1PC)

P4



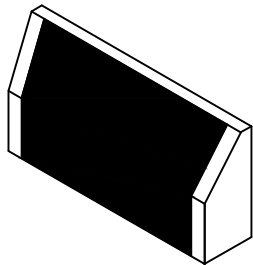
BACK REST - LEFT(1PC)

P5



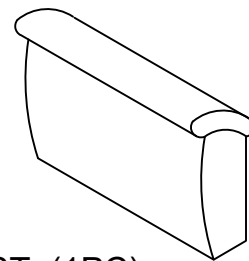
BACK REST - RIGHT(1PC)

P6



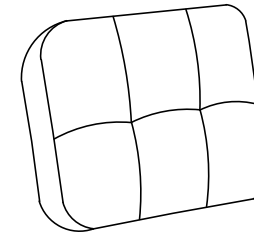
BACK REST - LONG (2PCS)

P7



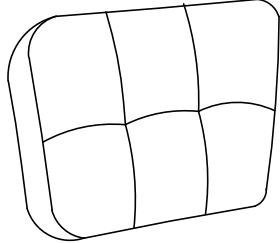
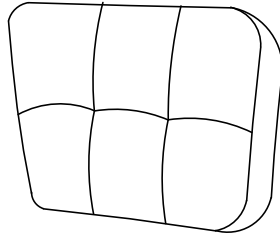
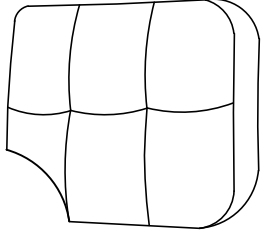
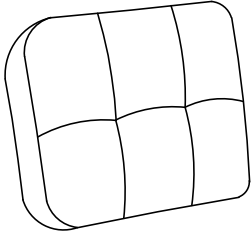
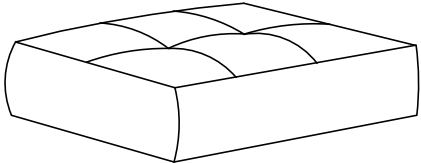
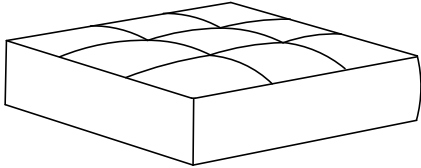
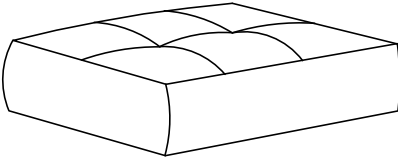
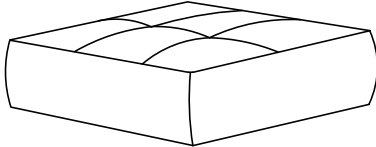
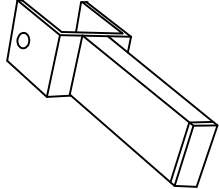
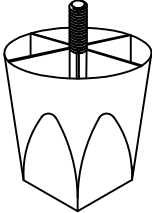
ARM REST (1PC)

P8



BACK PILLOW - BIG (2PCS)

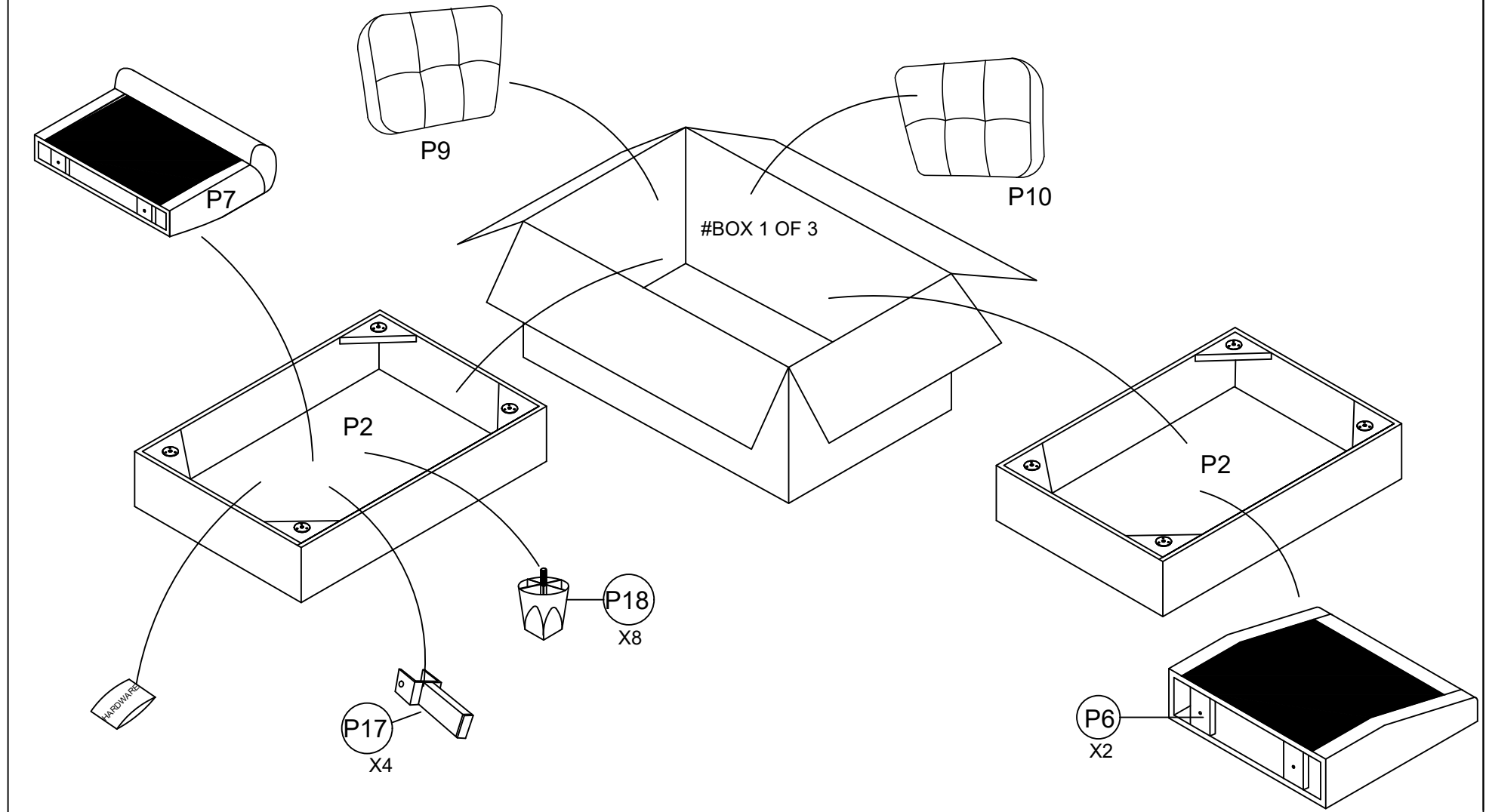
PART LIST

<p>P9</p>  <p>CHAISE PILLOW - LEFT (1PC)</p>	<p>P10</p>  <p>CHAISE PILLOW - RIGHT (1PC)</p>	<p>P11</p>  <p>BACK PILLOW - ARM (1PC)</p>	
<p>P12</p>  <p>BACK PILLOW - SMALL (1PC)</p>	<p>P13</p>  <p>CUSHION SEAT -SOFA (3PCS)</p>	<p>P14</p>  <p>CUSHION SEAT - CHAISE (1PC)</p>	
<p>P15</p>  <p>CUSHION SEAT-MIDDLE (1PC)</p>	<p>P16</p>  <p>CUSHION SEAT -CENTER (1PC)</p>	<p>P17</p>  <p>METAL LEG (4PCS)</p>	<p>P18</p>  <p>PLASTIC LEG (8PCS)</p>

ASSEMBLY INSTRUCTION

STEP 1.

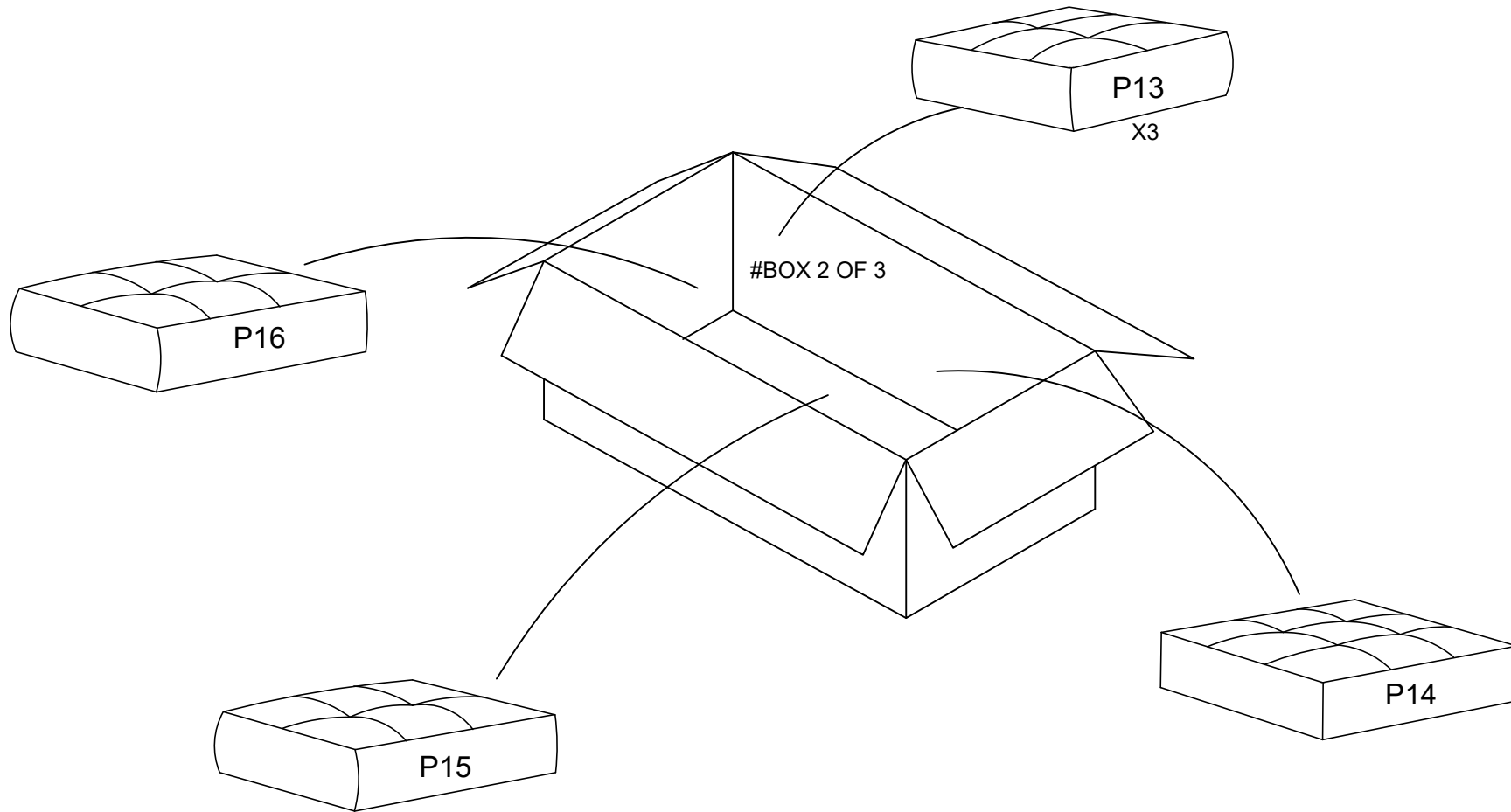
Open the cover cloth located behind the Chaise Base (P2) (2pcs) and remove all part and hardware.



ASSEMBLY INSTRUCTION

STEP 2.

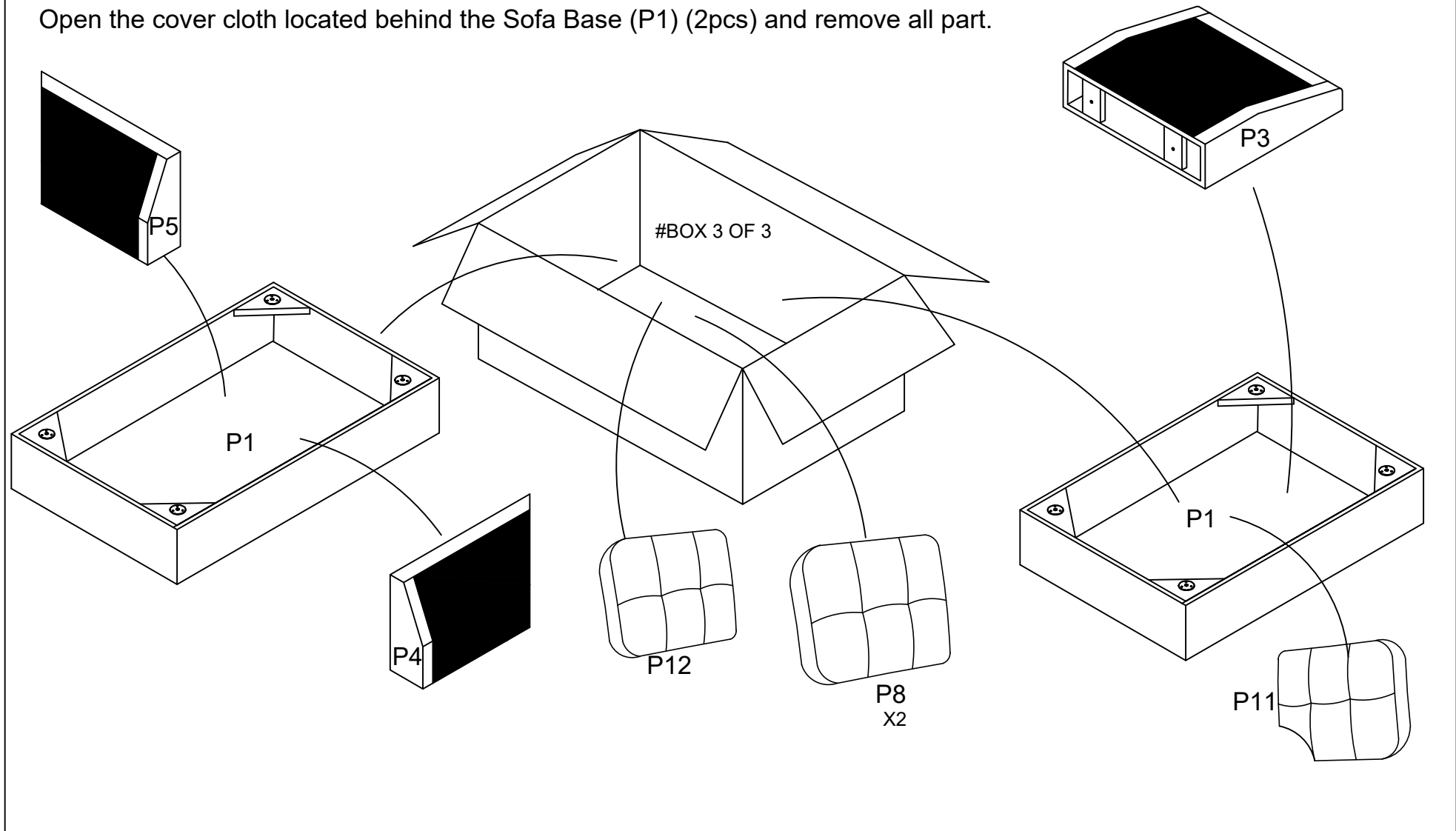
Remove all parts from box.



ASSEMBLY INSTRUCTION

STEP 3.

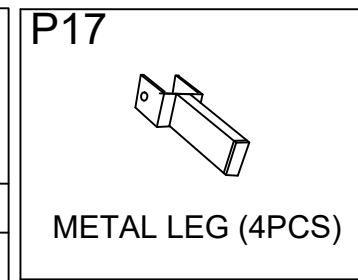
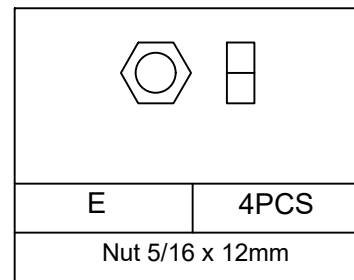
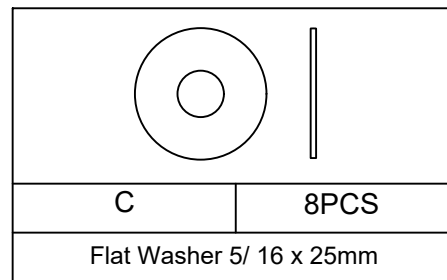
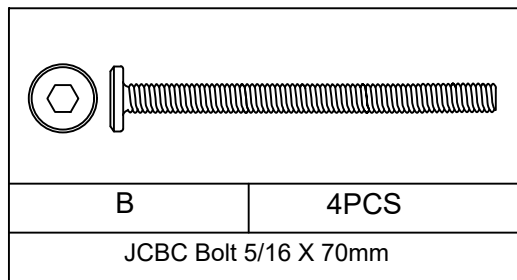
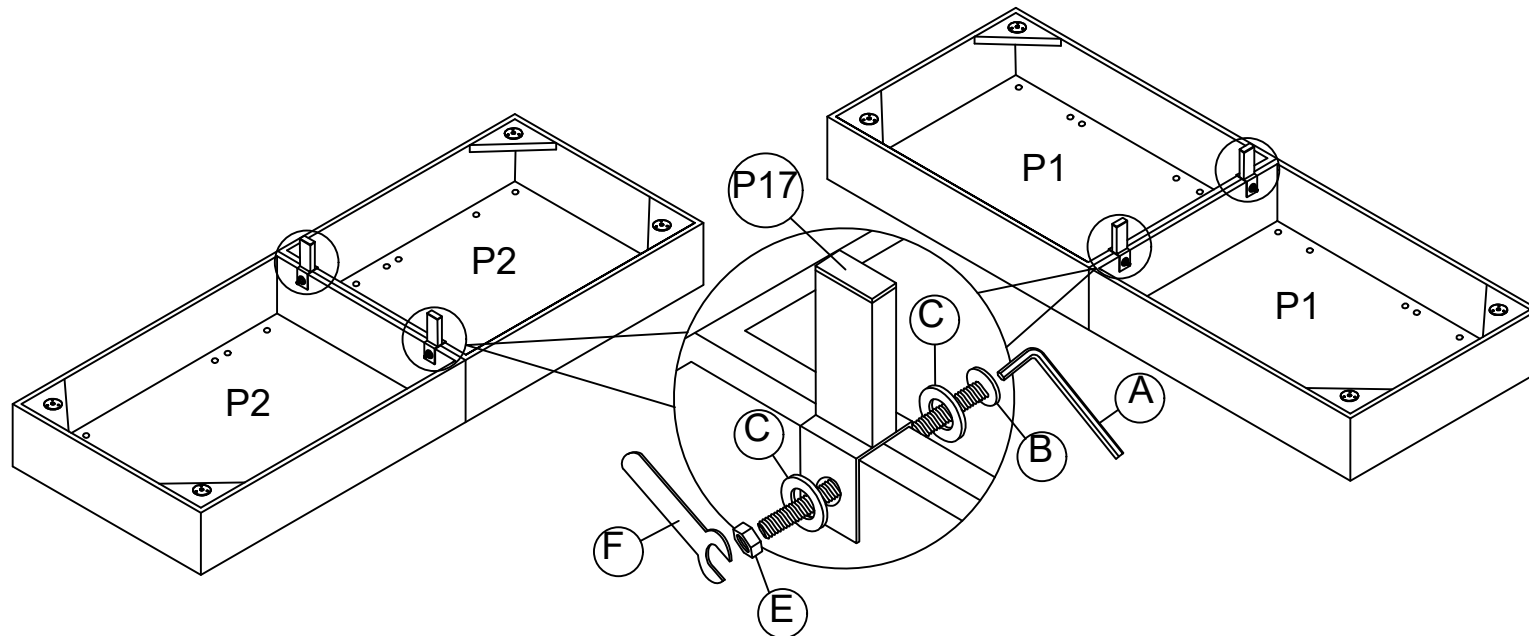
Open the cover cloth located behind the Sofa Base (P1) (2pcs) and remove all part.



ASSEMBLY INSTRUCTION

STEP 4.

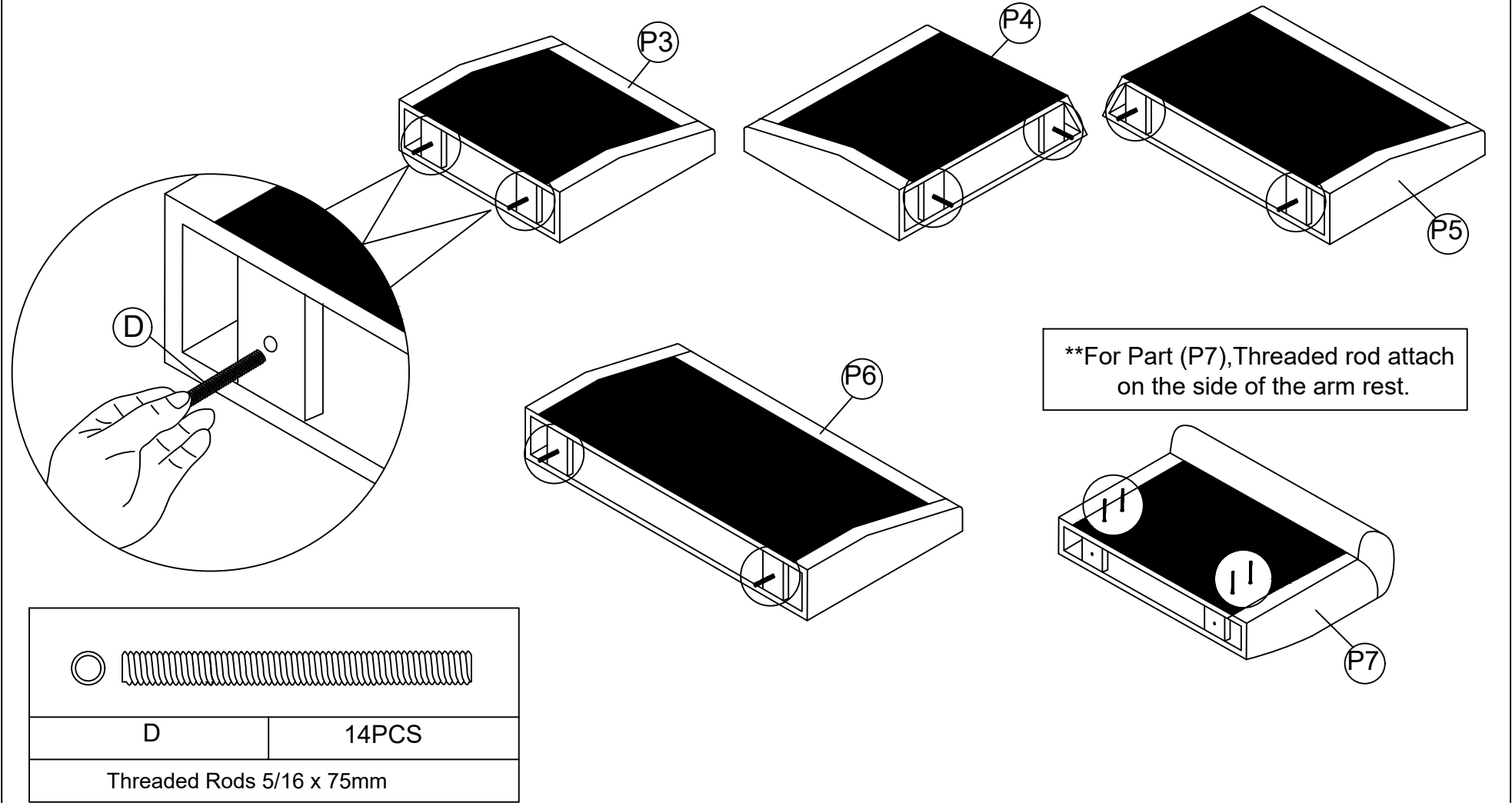
For this step lay the Sofa Base (P1) (2pcs) and Chaise Base (P2) (2pcs) Attached the Metal Leg (P17) (4pcs). Legs are to be attached using JCBC Bolt (B) (4pcs), Flat Washer (C) (8pcs), Nut (E) (4pcs), Allen Key (A) and Spanner (F) to fix. Make sure the bolts are fully tightened and secure.



ASSEMBLY INSTRUCTION

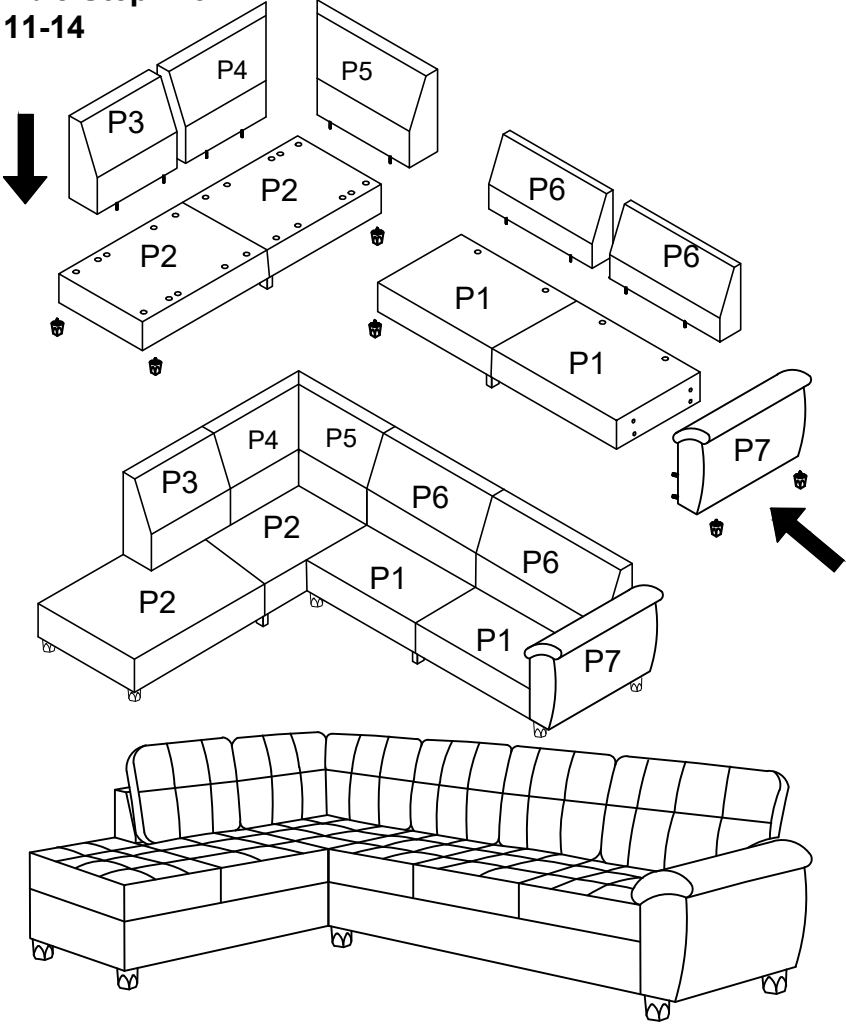
STEP 5.

Attached the Threaded Rod (D) (12pcs) to Back Rest (P3), (P4), (P5), (P6) and Arm Rest (P7).

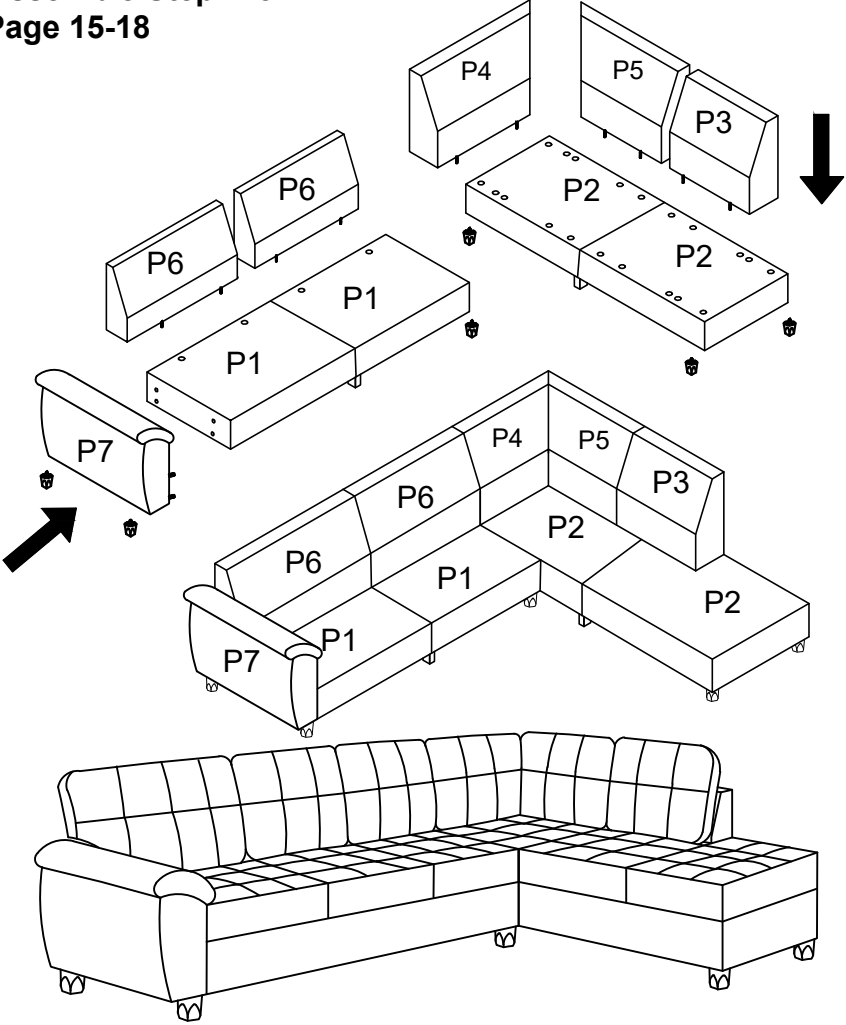


ASSEMBLY INSTRUCTION

STEP 6-9
SECTIONAL(Left Facing Chaise)
Assemble Step From
Page 11-14



STEP 6-9
SECTIONAL(Right Facing Chaise)
Assemble Step From
Page 15-18

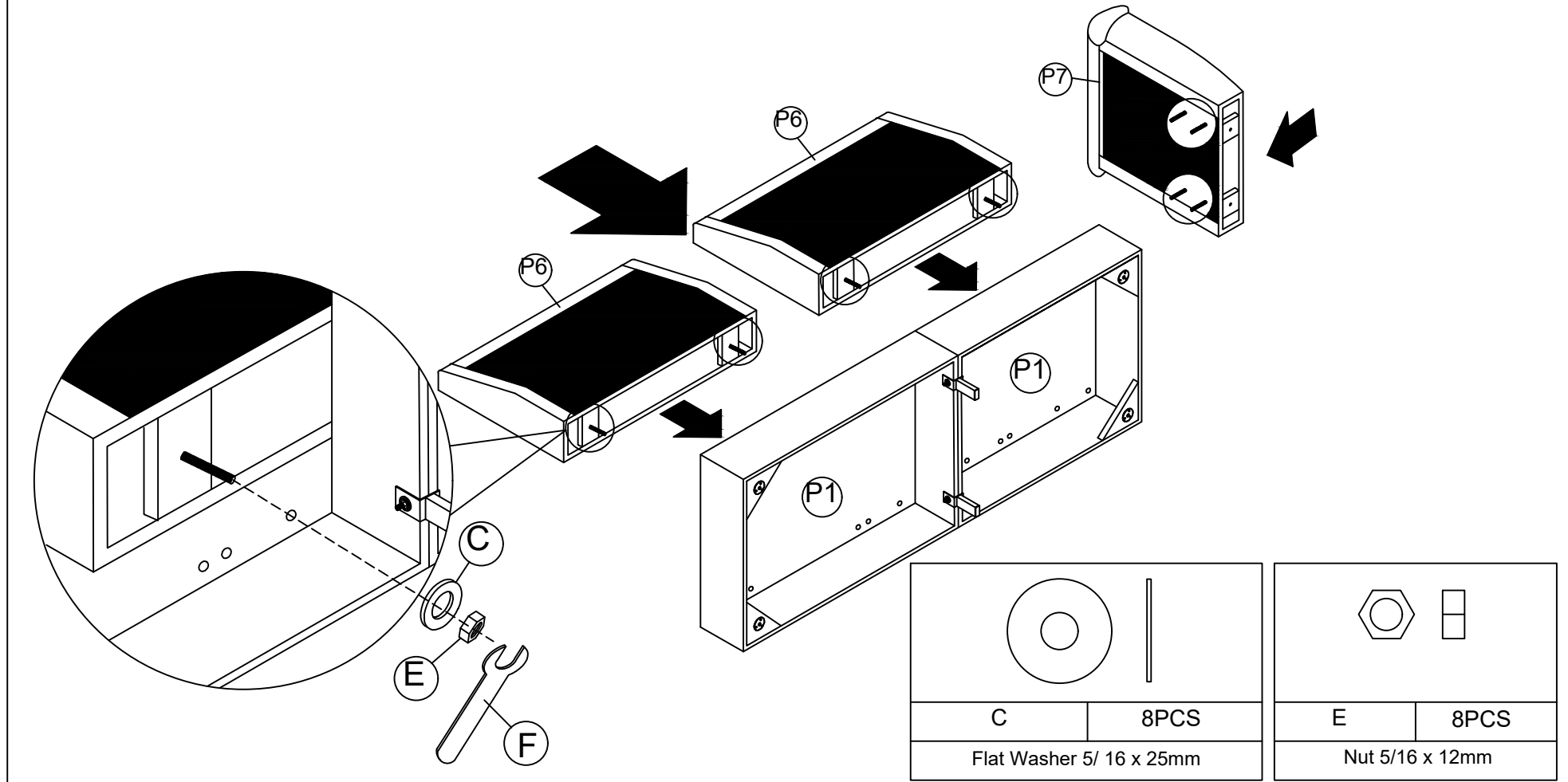


ASSEMBLY INSTRUCTION

STEP 6.

SECTIONAL(Left Facing Chaise)

Attached the Back Rest (P6)(2pcs), Arm Rest (P7)(1pc) to Sofa Base (P1) (2pcs). Use Flat Washer (C) (8pcs), Nut (E) (8pcs) and Spanner (F) to fix. Make sure the bolts are fully tightened and secure.



ASSEMBLY INSTRUCTION

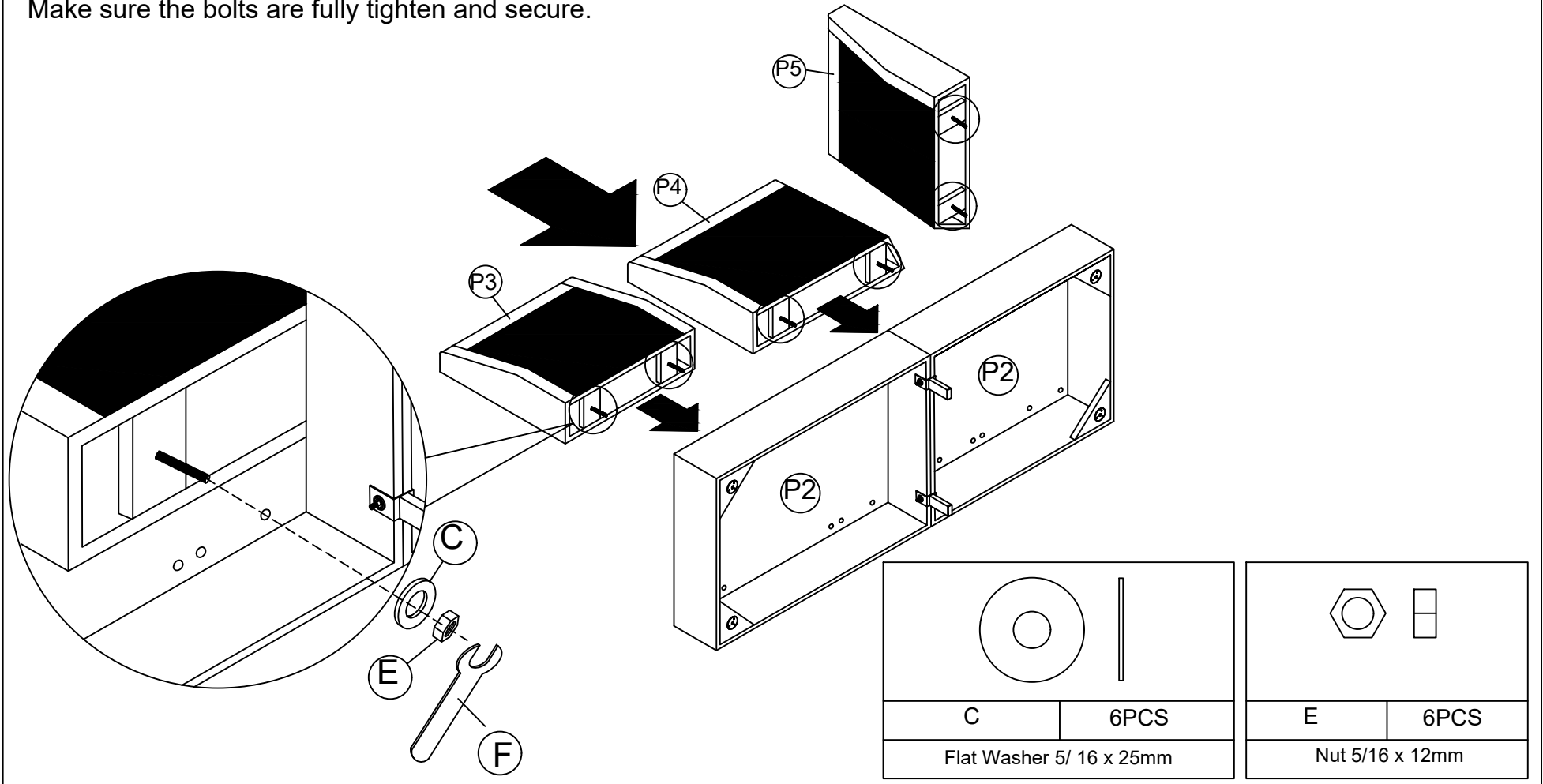
STEP 7.

SECTIONAL(Left Facing Chaise)

Attached the Back Rest (P3), Back Rest (P4), Back Rest (P5) to Chaise Base (P2) (2pcs).

Use Flat Washer(C) (6pcs), Nut(E) (6pcs) and Spanner (F) to fix.

Make sure the bolts are fully tighten and secure.



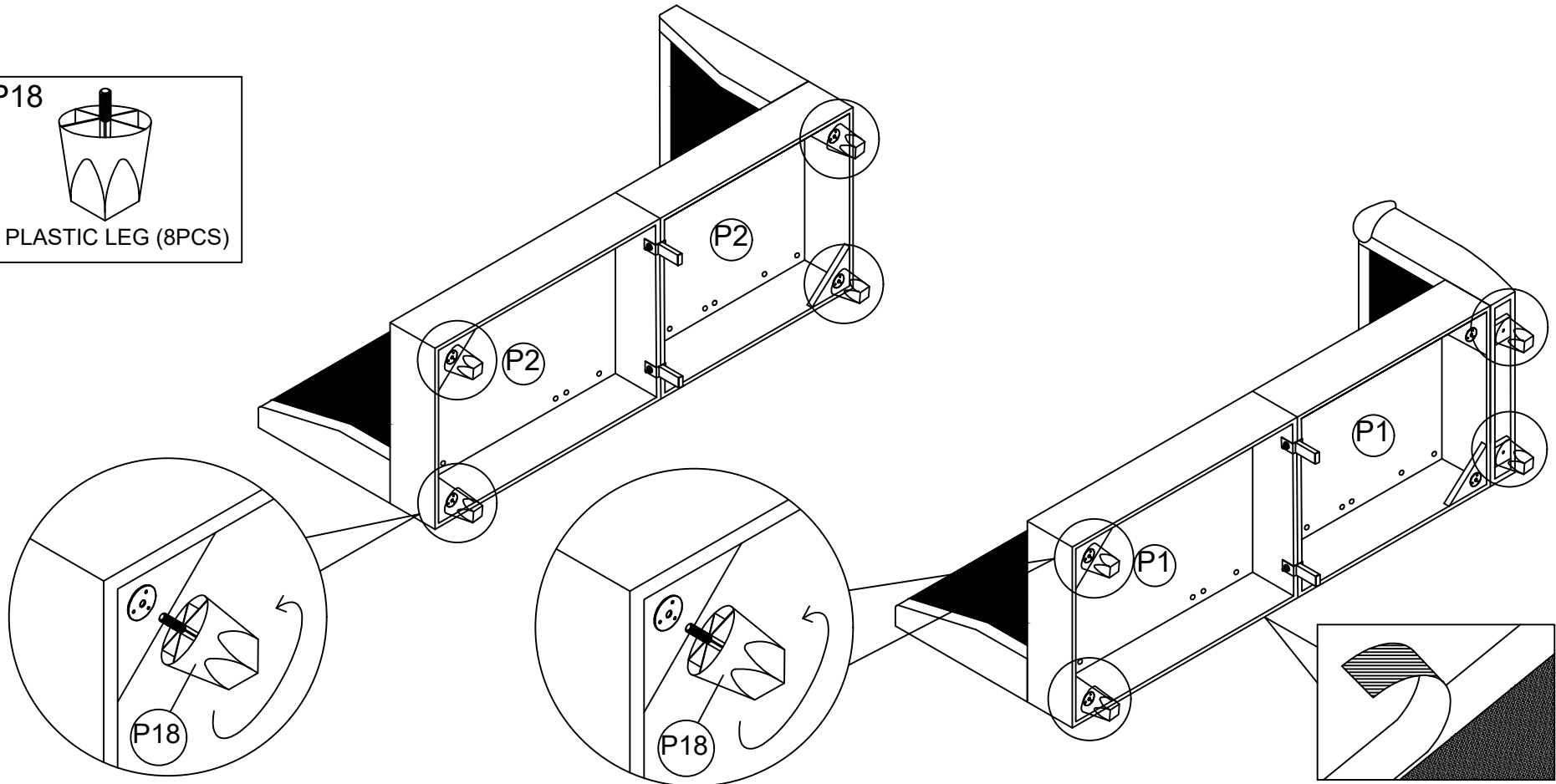
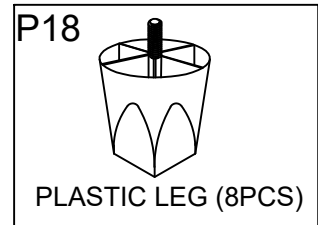
ASSEMBLY INSTRUCTION

STEP 8.

SECTIONAL(Left Facing Chaise)

Closed cover cloth with velcro.

Attached Plastic Leg (P18) (8pcs) to Sofa Base (P1) (2pcs),Chaise Base (P2) (2pcs). Legs should be tightened.



ASSEMBLY INSTRUCTION

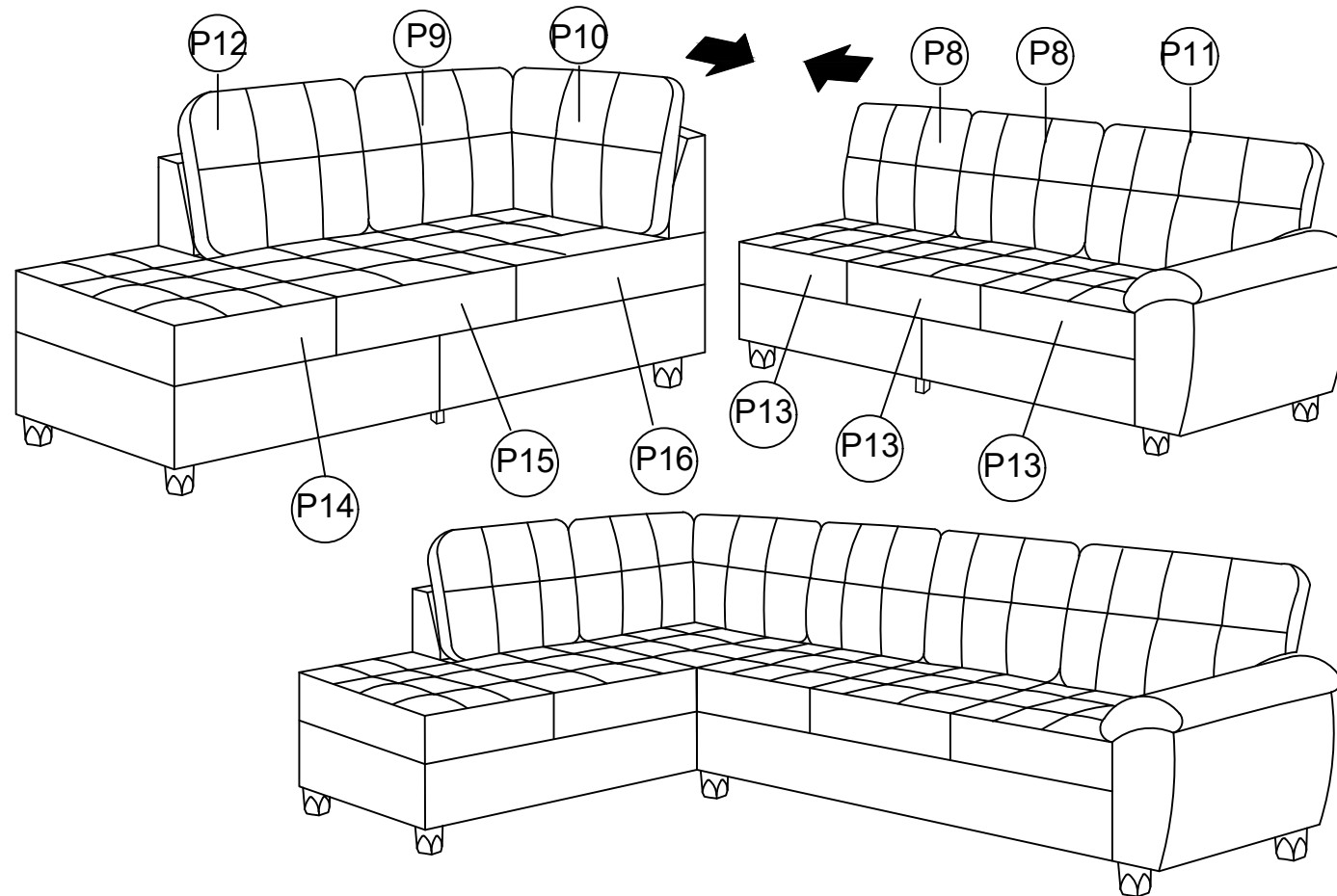
STEP 9.

SECTIONAL(Left Facing Chaise)

Attach the Cushion Seat (P13-3pcs), (P14-1pc), (P15-1pc) and (P16-1pc), to the base.

Attach the Back Pillow (P8-2pcs), (P9-1pc), (P10-1pc), (P11-1pc) and (P12-1pc) after the cushion seat.

After that, put two parts (Chaise and Sofa) together.

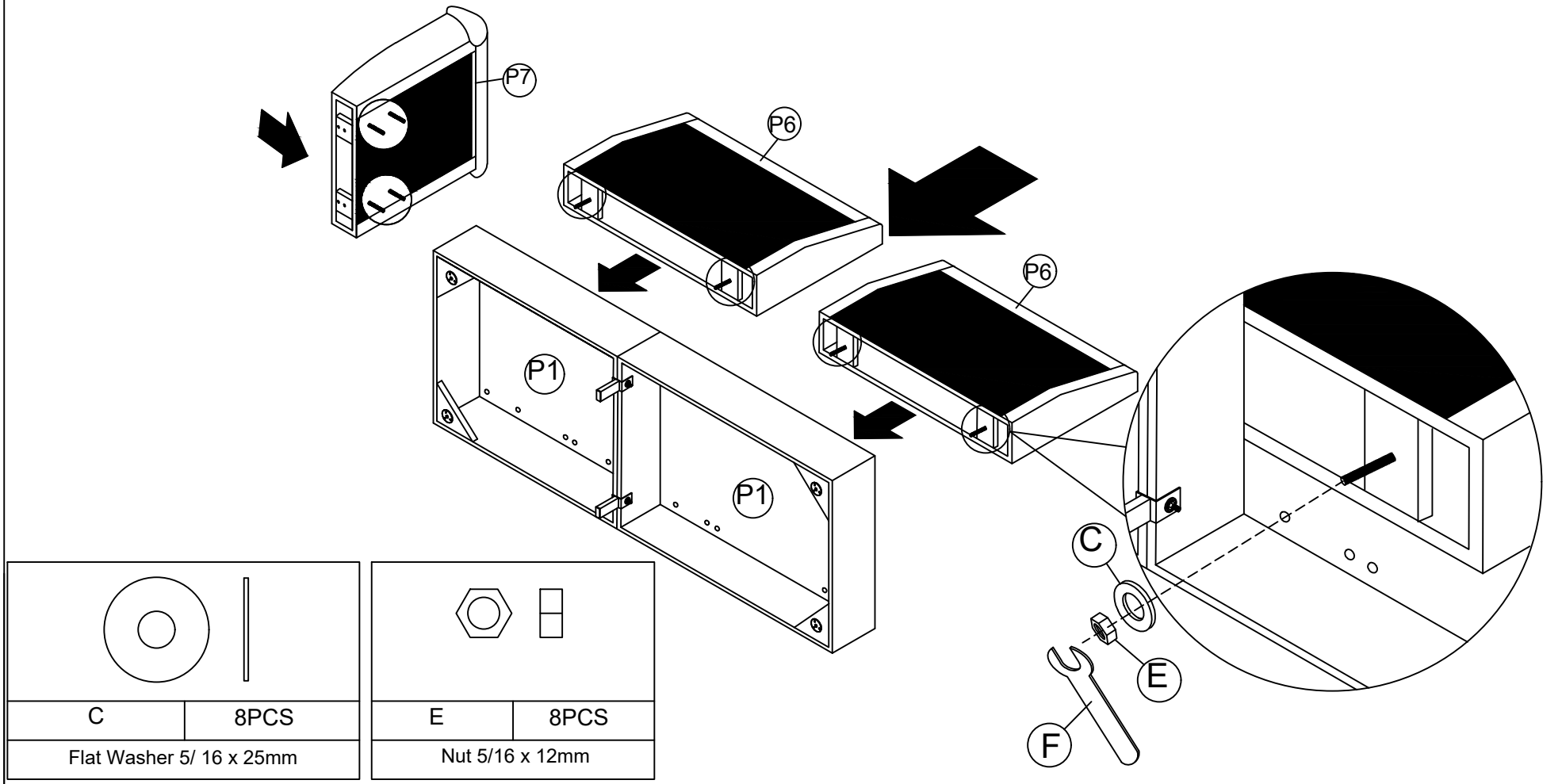


ASSEMBLY INSTRUCTION

STEP 6.

SECTIONAL(Right Facing Chaise)

Attached the Back Rest (P6) (2pcs) and Arm Rest (P7) (1pc) to Chaise Base (P1) (1pc), Chaise Base (P2) (1pc).
Use Flat Washer(C)(8pcs) Nut (E) (8pcs) and Spanner (F) to fix. Make sure the bolts are fully tightened and secure.



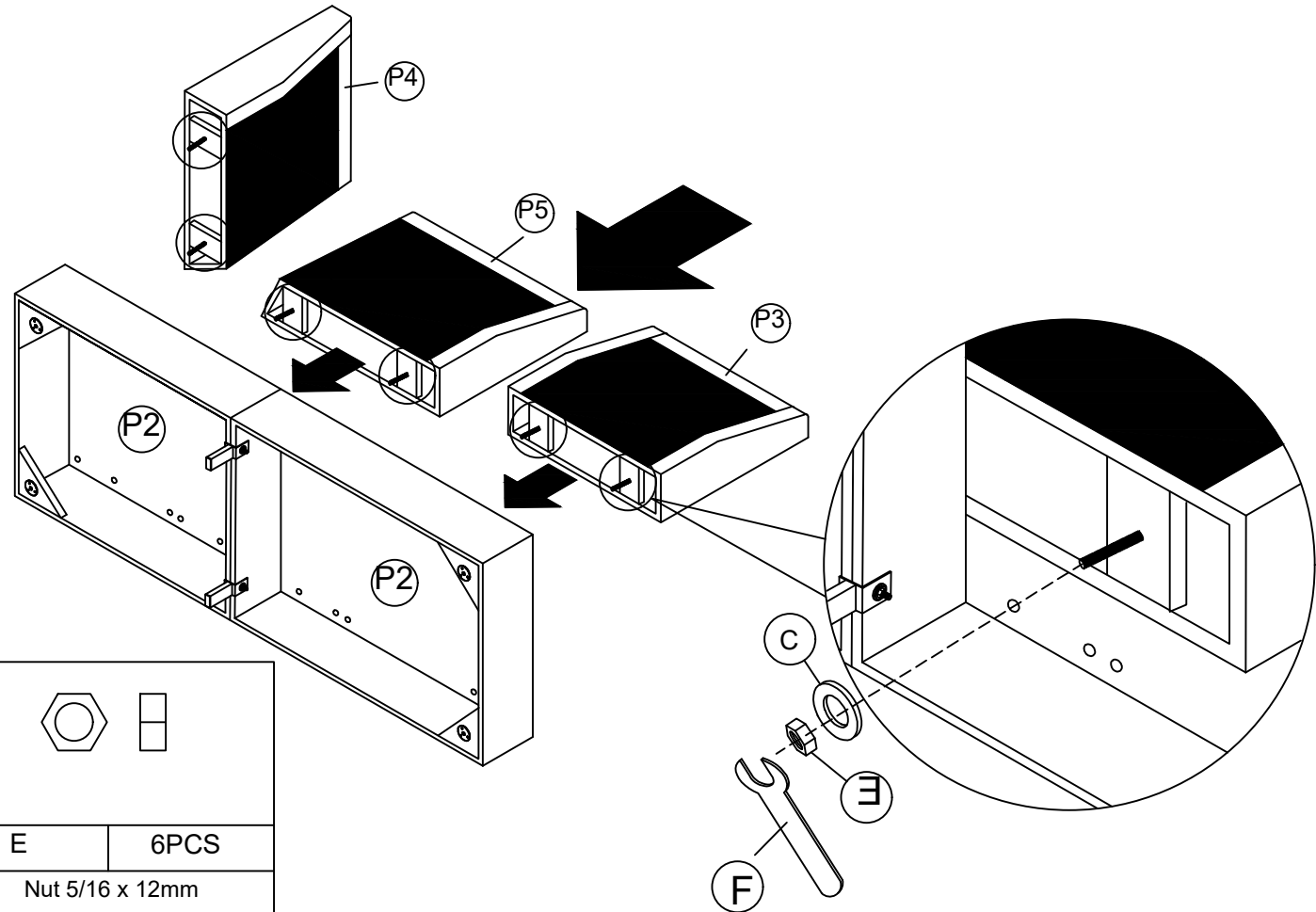
ASSEMBLY INSTRUCTION

STEP 7.

SECTIONAL(Right Facing Chaise)

Attached the Back Rest (P3-1pc), (P4-1pc), (P5-1pc) to Chaise Base (P2) (2pc).

Use Flat Washer (C) (6pcs), Nut (E) (6pcs) and Spanner (F) to fix. Make sure the bolts are fully tightened and secure.



C	6PCS
Flat Washer 5/ 16 x 25mm	

E	6PCS
Nut 5/16 x 12mm	

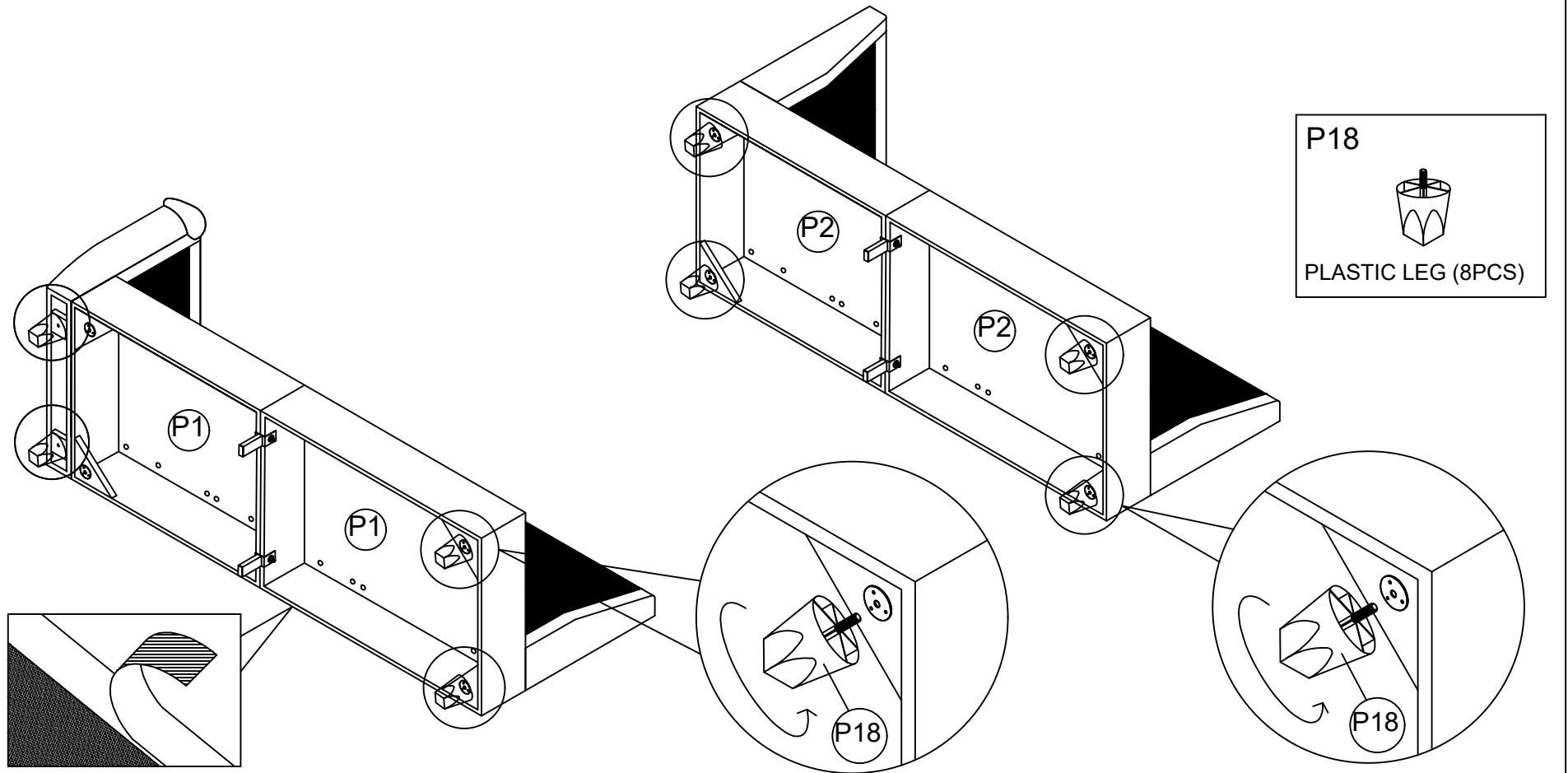
ASSEMBLY INSTRUCTION

STEP 8.

SECTIONAL(Right Facing Chaise)

Closed cover cloth with velcro.

Attached Plastic Leg (P18) (8pcs) to Sofa Base (P1) (2pcs),Chaise Base (P2) (2pcs). Legs should be tightened.



ASSEMBLY INSTRUCTION

STEP 9.

SECTIONAL(Right Facing Chaise)

Attach the Cushion Seat (P13-3pcs), (P14-1pc), (P15-1pc) and (P16-1pc) to the base.

Attach the Back Pillow (P8-2pcs), (P9-1pc), (P10-1pc), (P11-1pc) and (P12-1pc) after the cushion seat.

After that, put two parts (Chaise and Sofa) together.

