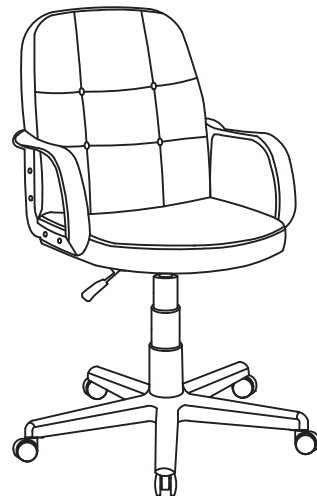


Chair

Dimension: 56.5*51.5*88-100cm

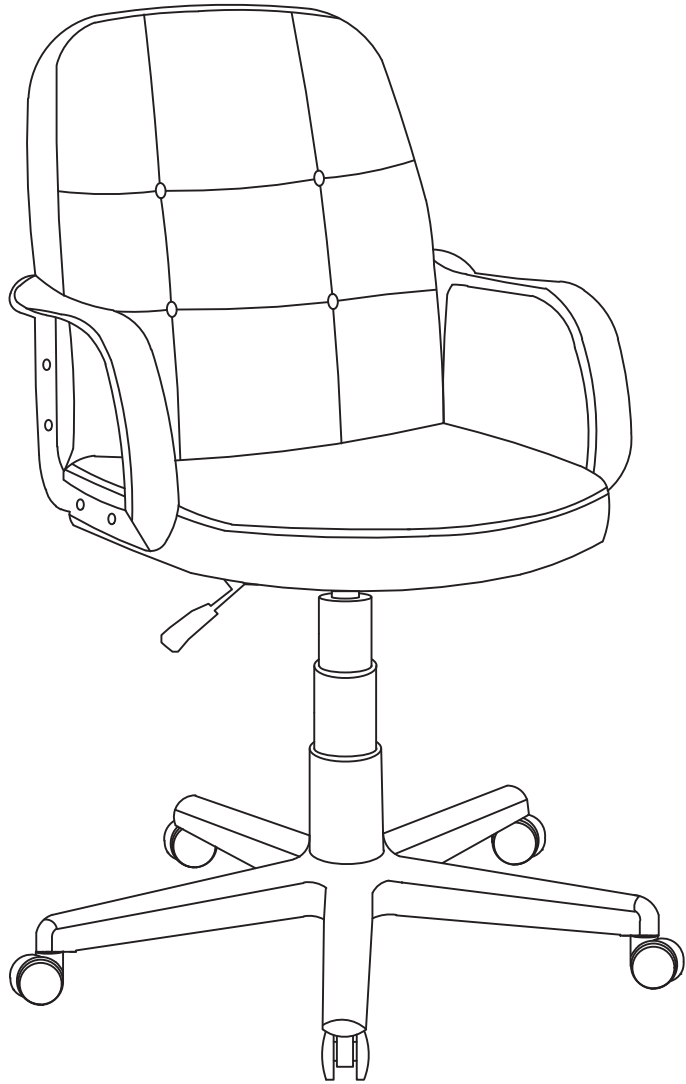
Tips!

Check all the components & screws before assembly. **Do not install in case part is miss-ing, contact us to get.**

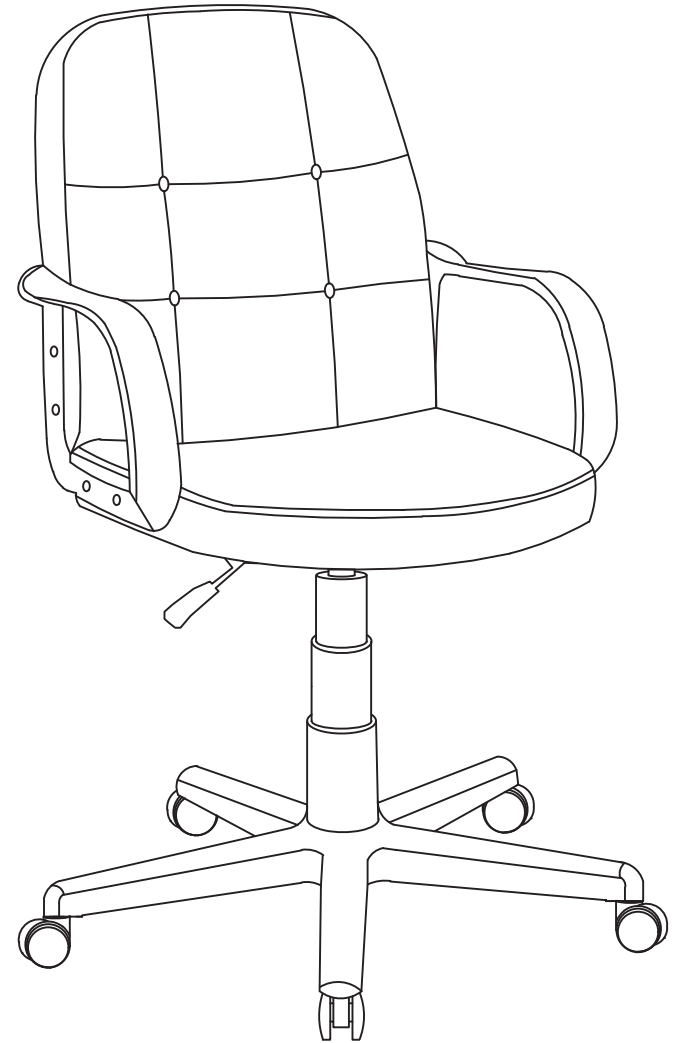


Chair



56.5*51.5*88-100cm

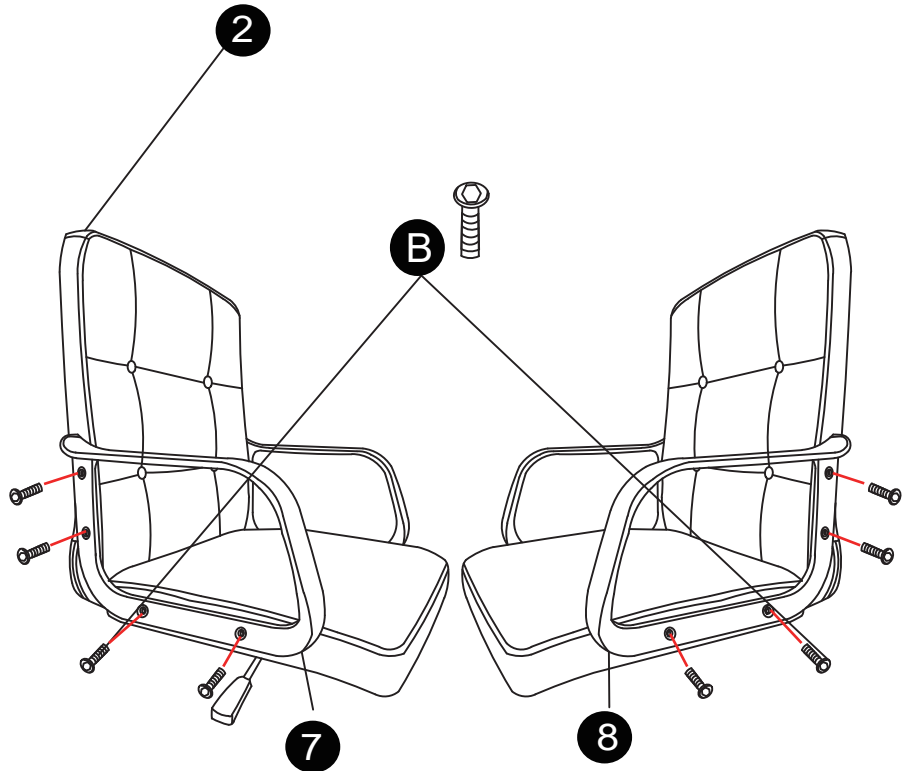



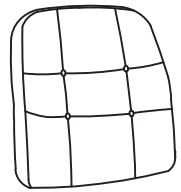
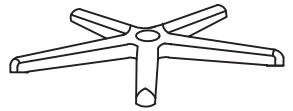
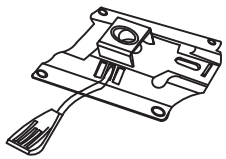
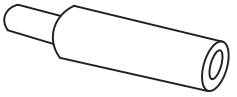
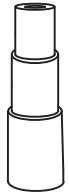
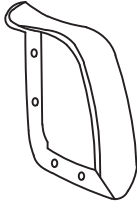
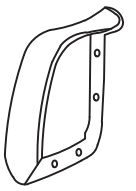

Step 5

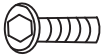

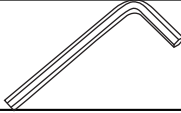


Step 4

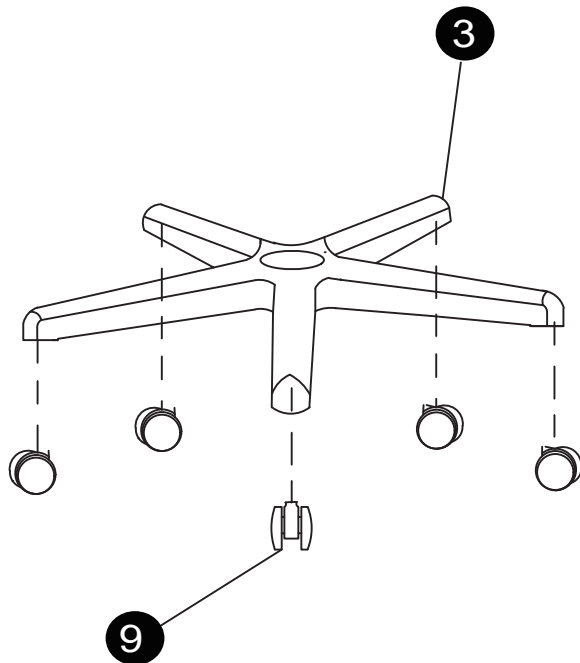
	Bx8
	Cx1



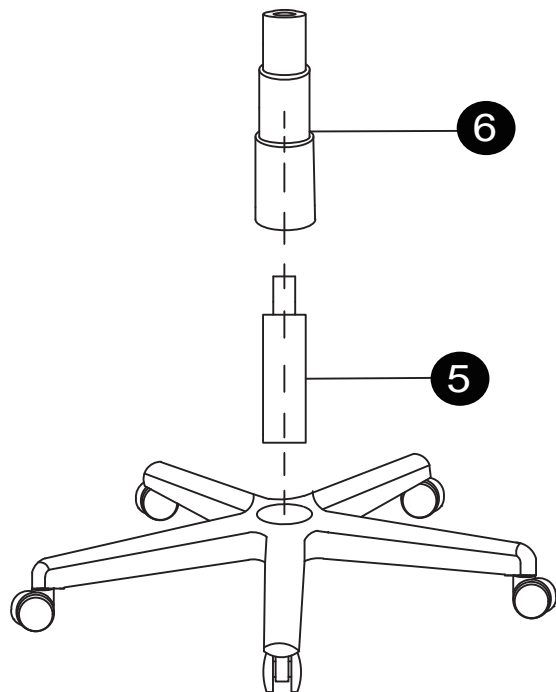
Components					
1		1pc	2		1pc
3		1pc	4		1pc
5		1pc	6		1pc
7		1pc	8		1pc
9		5pcs			

Screws & Tools					
A		6*16	4pcs	B	 6*25 8pcs
C			1pc		



Step 1



Step 2



Step 3

	Ax4
	Cx1

