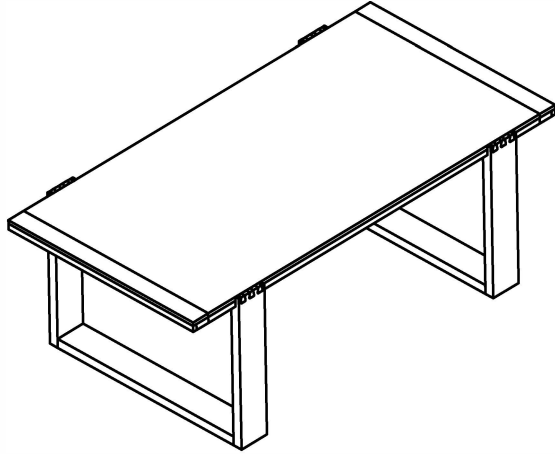


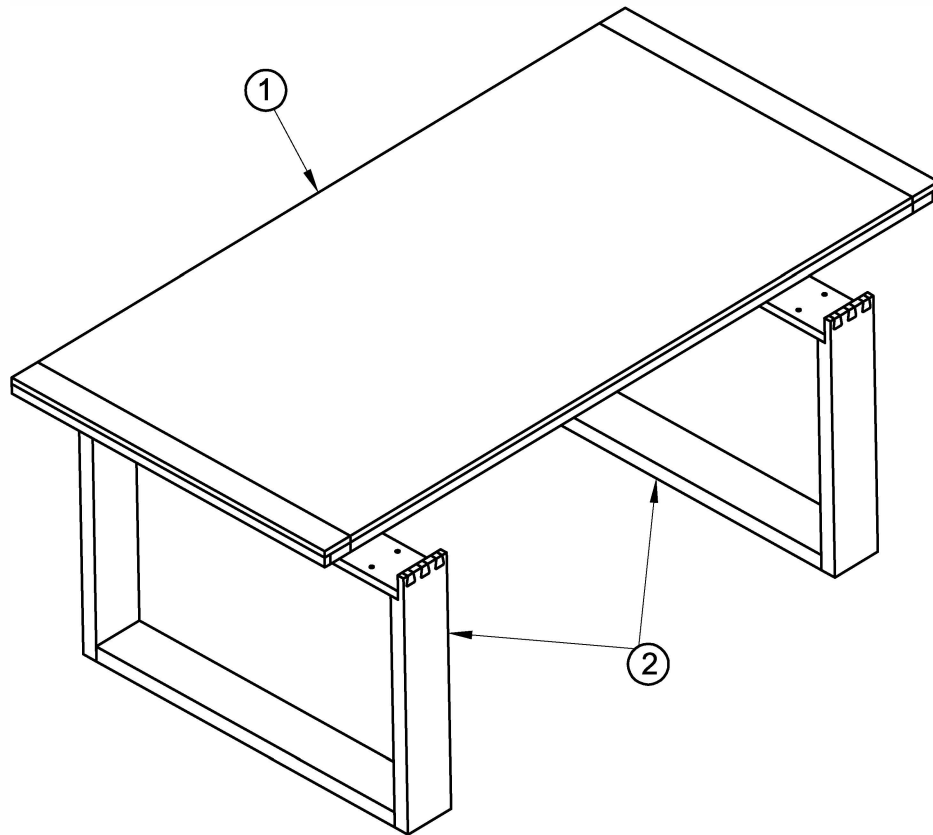
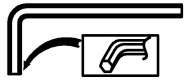
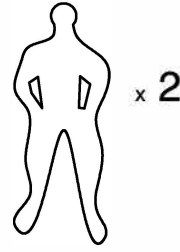
DINING TABLE



ASSEMBLY INSTRUCTIONS



20 MIN



HARDWARES LIST

(A)



12 pcs

Ø15 x M8 x 40 mm

(B)



12 pcs

1.2 x M8 x Ø12 mm

(C)



12 pcs

2 x M8 x Ø19 mm

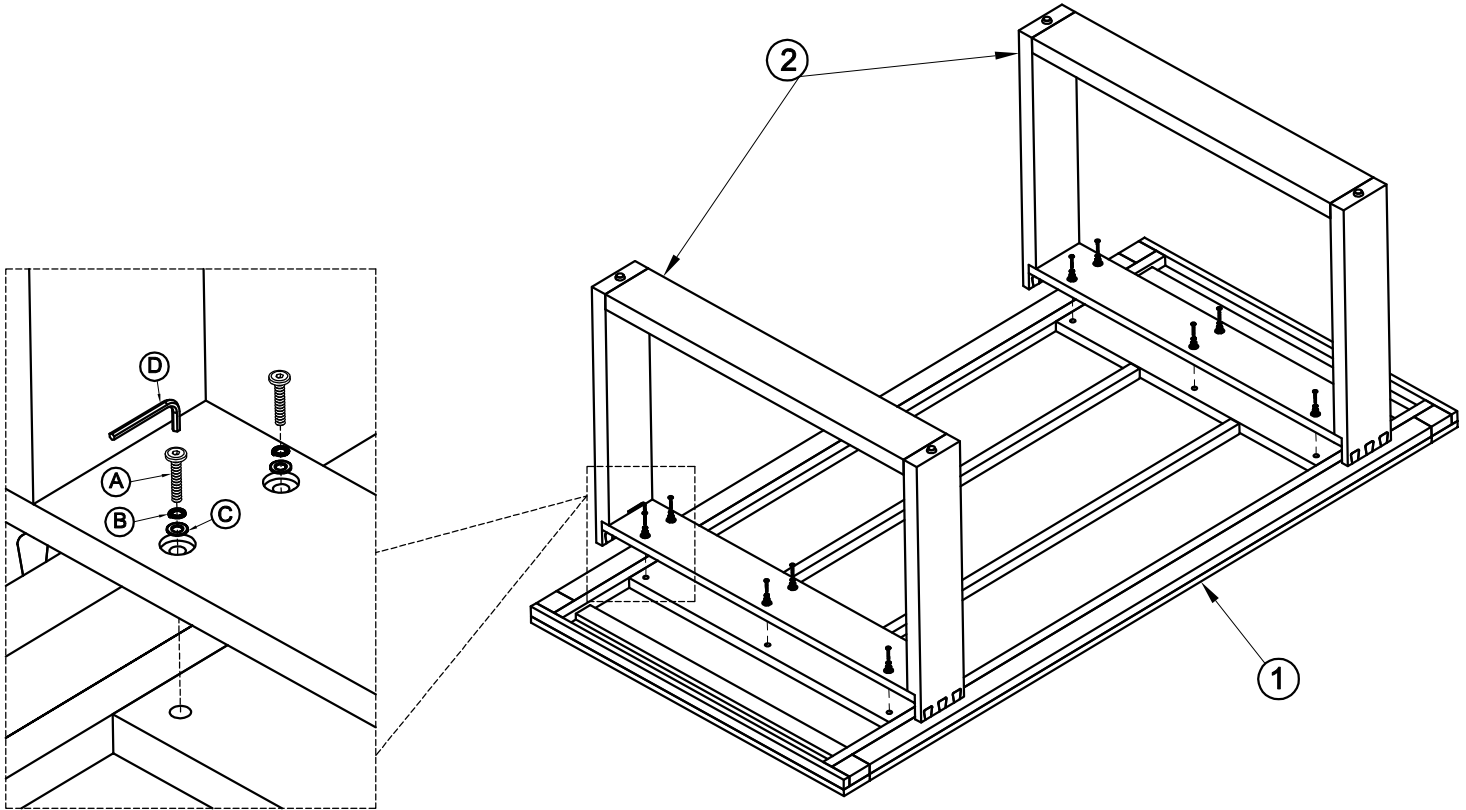
(D)

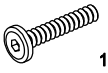





1 pc

M4 x 60 mm

Step 1



A  12 pcs Ø15 x M8 x 40 mm	B  12 pcs 1.2 x M8 x Ø12 mm	C  12 pcs 2 x M8 x Ø19 mm	D  1 pc M4 x 60 mm
---	--	--	---

COMPLETE

