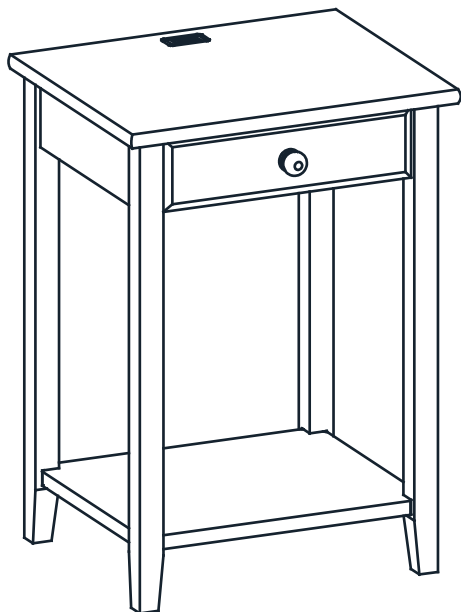


Assembly Instruction Sheet

Night Stand w/USB Port



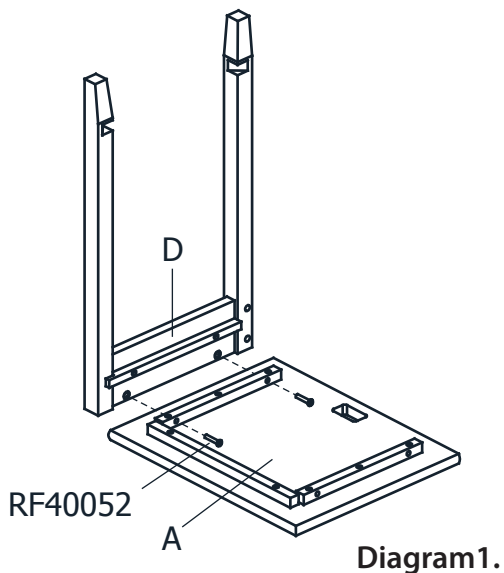
Parts List

Part	Description	
A	Table Top	1 Pc.
B	Shelf	1 Pc.
C	Left Panel	1 Pc.
D	Right Panel	1 Pc.
E	Back Panel	1 Pc.
F	Drawer Front	1 Pc.
G	Drawer Side	2 Pcs.
H	Drawer Back	1 Pc.
I	Drawer Plate	1 Pc.

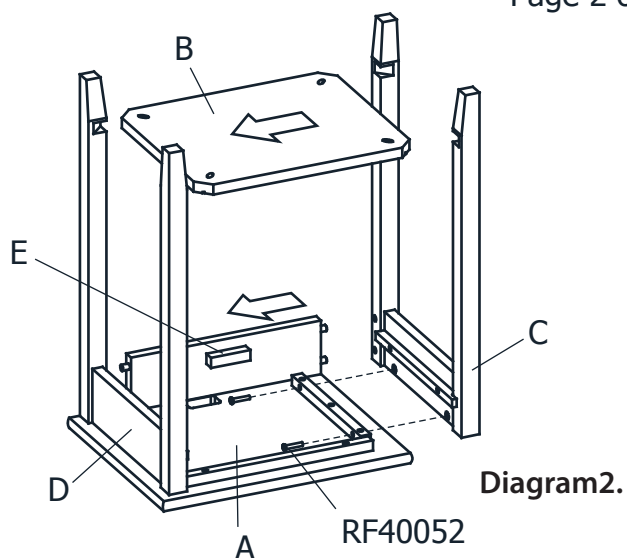
Hardware

Part	Description	
RF10019	Screw F6 x 1"	8 Pcs.
RF10002	Screw F6 x 1 1/4"	5 Pcs.
RF40052	Screw JCB M6 x 30	4 Pcs.
RF40008	Knob	1 Pc.
RF40103	Allen Key	1 Pc.

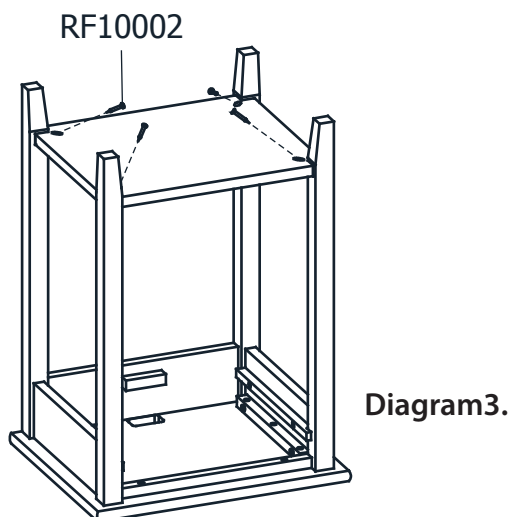
FG00705	USB Adapter	1 Set
---------	-------------	-------



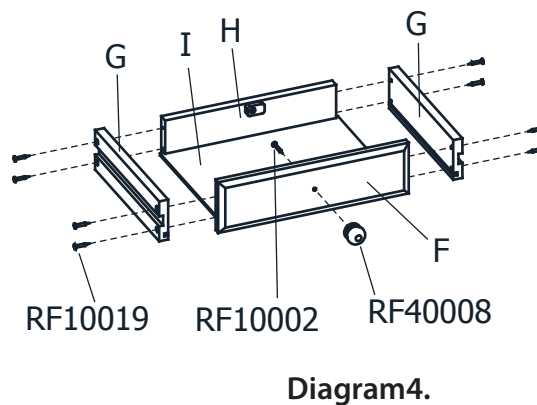
Step 1:
Attach Right Panel(D) into the Table Top(A) using 2 Screw(RF40052) as per Diag. 1.



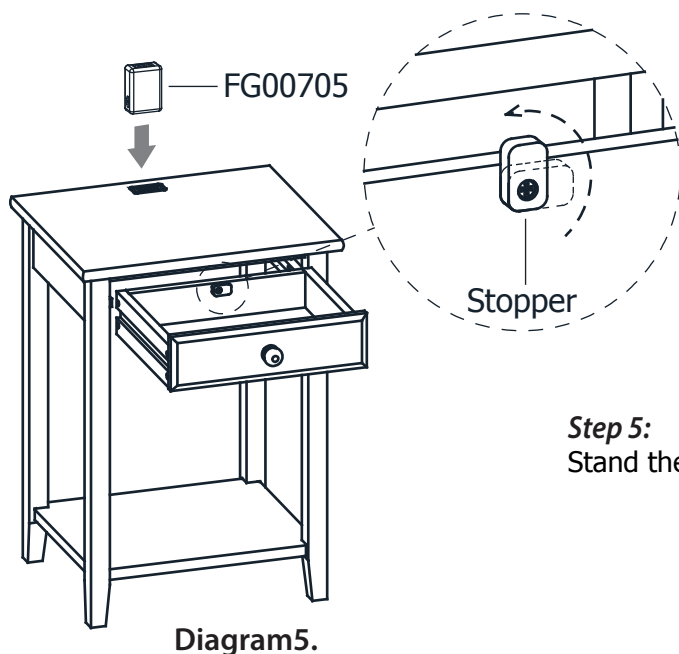
Step 2:
Attach Back Panel(E), Bottom Shelf(B) and Left Panel(C) together using 2 Screw(RF40052) as per Diag. 2.



Step 3:
Fasten Bottom Shelf(B) with 4 Screw(RF10002) as per Diag. 3.



Step 4:
- Attach Knob (RF40008) to the Drawer Front (F).
- Assemble Drawer by attaching the Drawer Front (F), Drawer Back (H), Drawer Sides (G) and Drawer Plate (I) together using 8 Screws (RF10019) as per Diag. 4.



Step 5:
Stand the unit upright and slide in drawer as per Diag. 5.