

Model
AGV-CL004

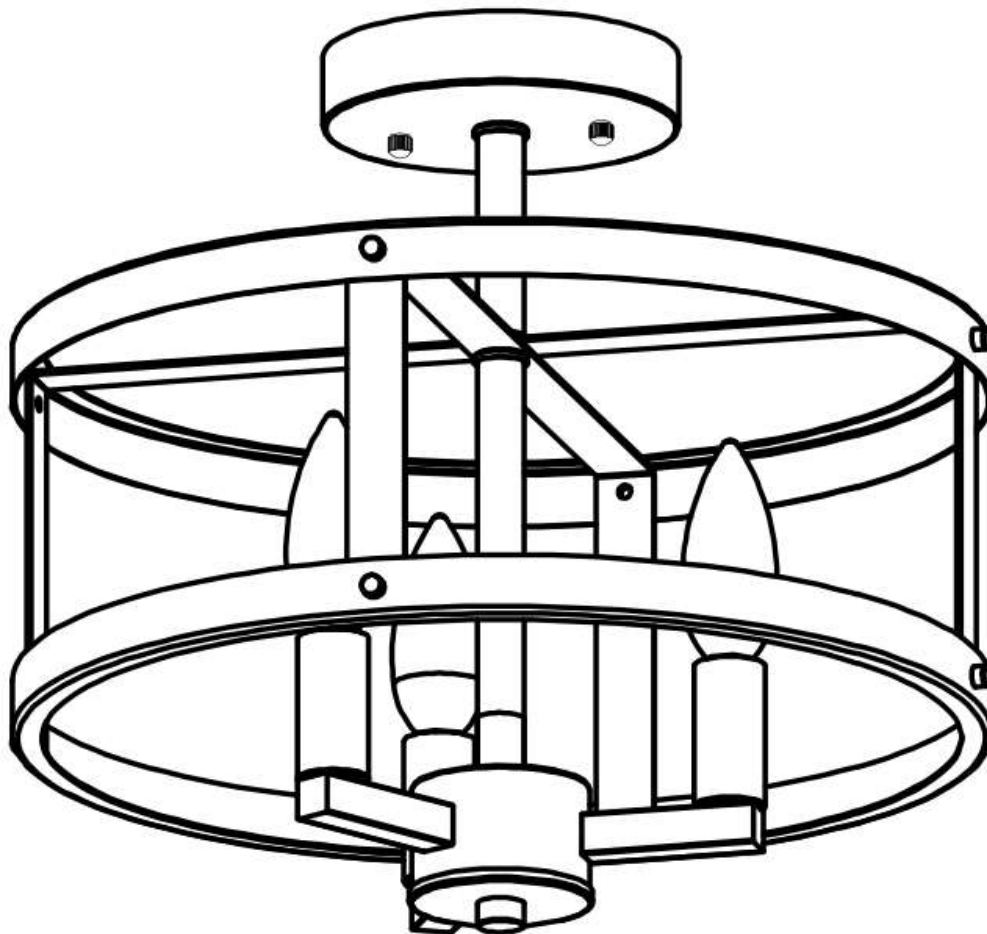


AGV Lighting™

INSTRUCTION MANUAL

IMPORTANT: READ CAREFULLY AND KEEP.

01

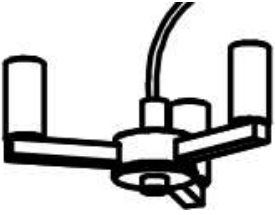



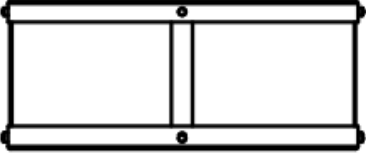



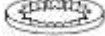







Customer service:

Service@agv-lighting.com

Made in China
Residential use only
Indoor use only

Parts List

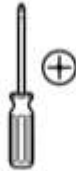
Item	Drawing	Description	Quantity
A		Lamp Base	1
B		Central Column	1
C		Tube C	1
D		Sealing Ring D	1
E		Lamp Shade	1
F		Sealing Ring F	2
G		Tube E	1
H		Canopy	1
I		Gasket	1
J		Nut	1
K		Mounting Bracket	1
L		Wire Connector	3

M		Bolt 2 (for Junction Box connection)	2
N		Knob	× 2

TOOLS REQUIRED



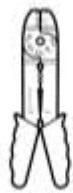
Safety goggles



Phillips screwdriver



Flathead screwdriver



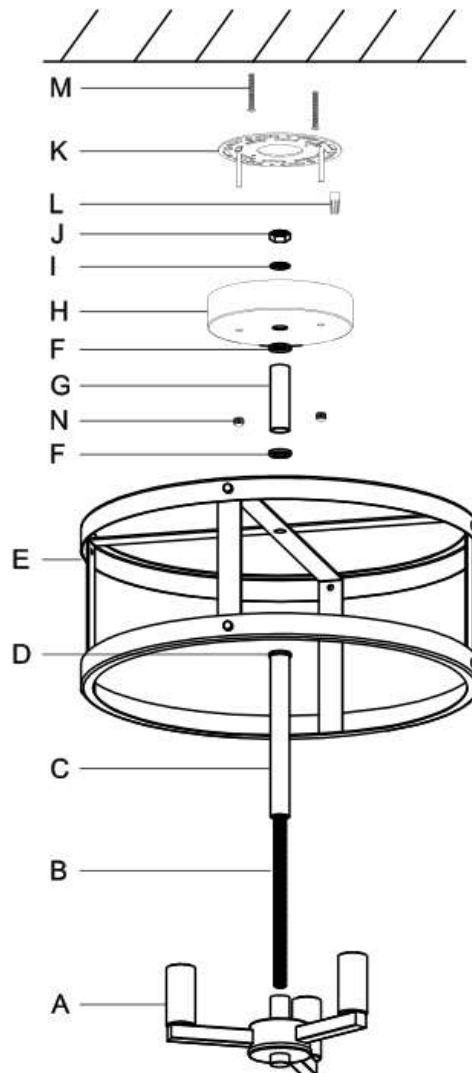
Wire strippers



Wire cutters



Ladder



IMPORTANT

This warranty applies only to the original consumer purchaser and only to products used in normal use and service. If this product is found to be defective, the manufacturer's only obligation, and your exclusive remedy, is the repair or replacement of the product at the manufacturer's discretion, provided that the product has not been damaged through misuse, abuse, accident, modifications, alterations, neglect, or mishandling.


This warranty shall not apply to any product that is found to have been improperly installed, set-up, or used in any way not in accordance with the instructions supplied with the product.

This warranty shall not apply to a failure of the product as a result of an accident, misuse, abuse, negligence, alteration, faulty installation, or any other failure not relating to faulty material or workmanship.

The manufacturer does not warrant and specifically disclaims any warranty, whether express or implied, of fitness for a particular purpose, other than the warranty contained herein. The manufacturer specifically disclaims any liability and shall not be liable for any consequential or incidental loss or damage, including but not limited to any labor / expense costs involved in the replacement or repair of said product.

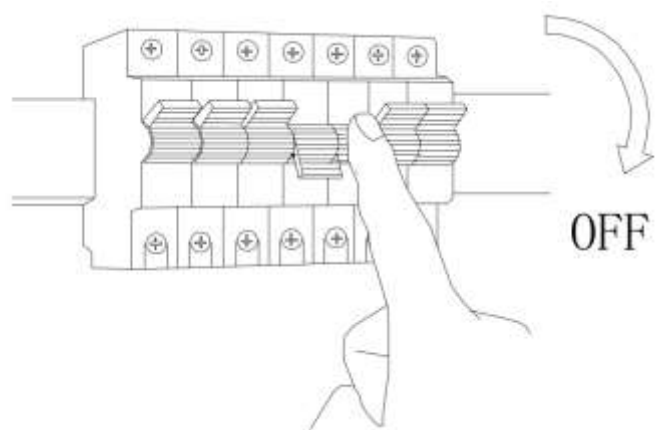
Switch off the main electrical supply from the fuse box/circuit breaker before installing the unit or doing any maintenance.

Do not use outdoor.

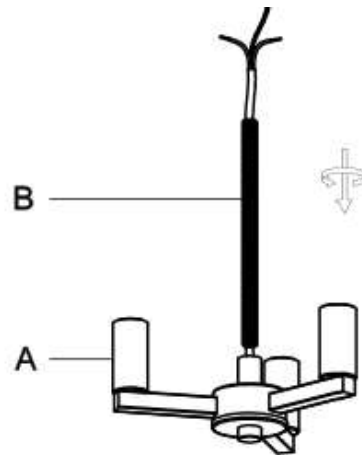
<p>WARNING:</p> <p>Risk of electrical shock.</p> <p>Turn off breaker at the panel.</p>	
---	--

INSTALLATION

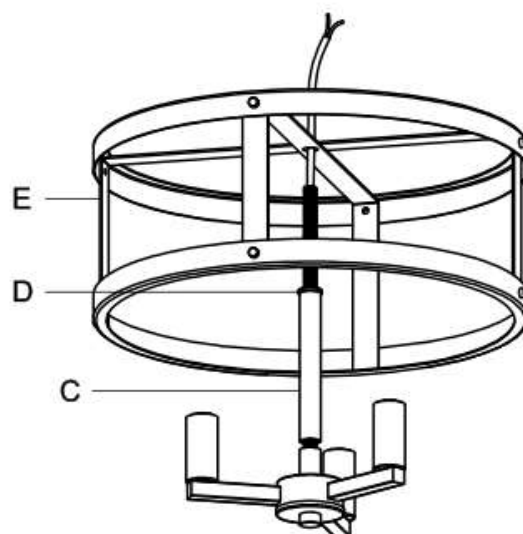
WARNING: First of all, turn off the power at the main fuse box!



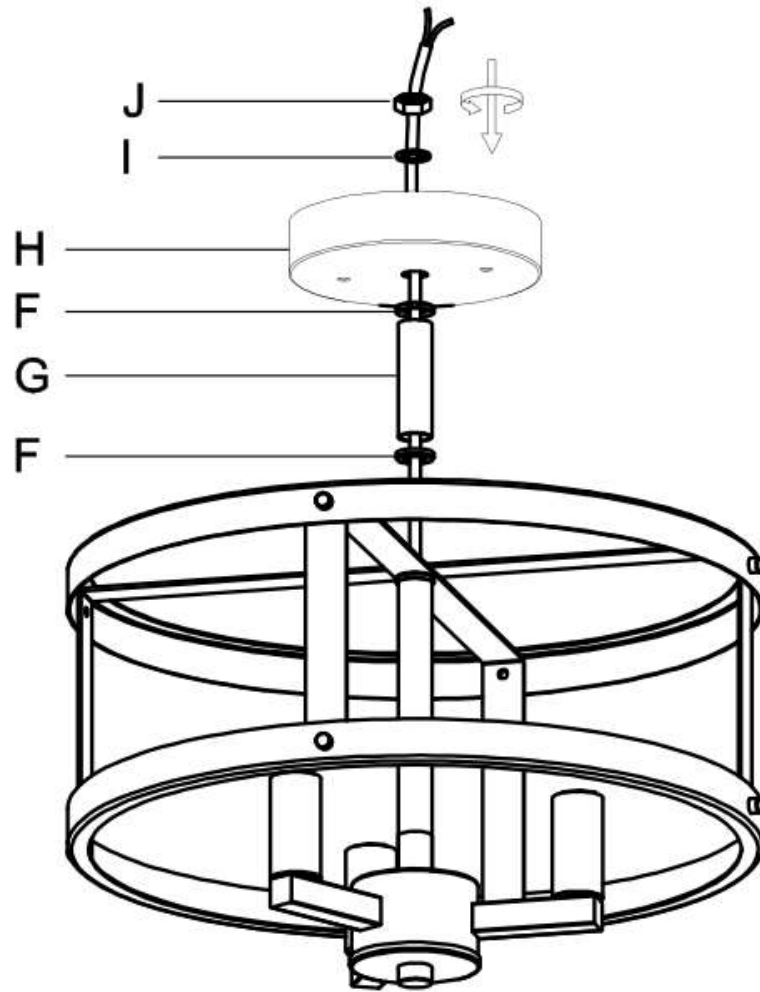
1. Thread wires (from lamp base) through the Central Column, and then screw Central Column on the lamp base.



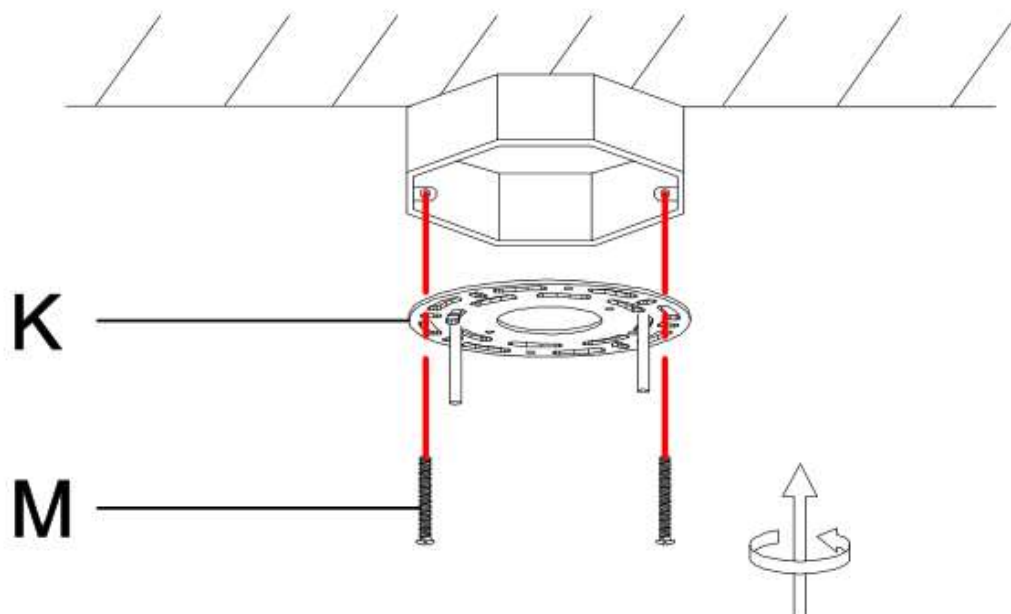
2. Install the Tube C & Sealing Ring D on the central column, and install the lampshade on the bulb base as below pic.



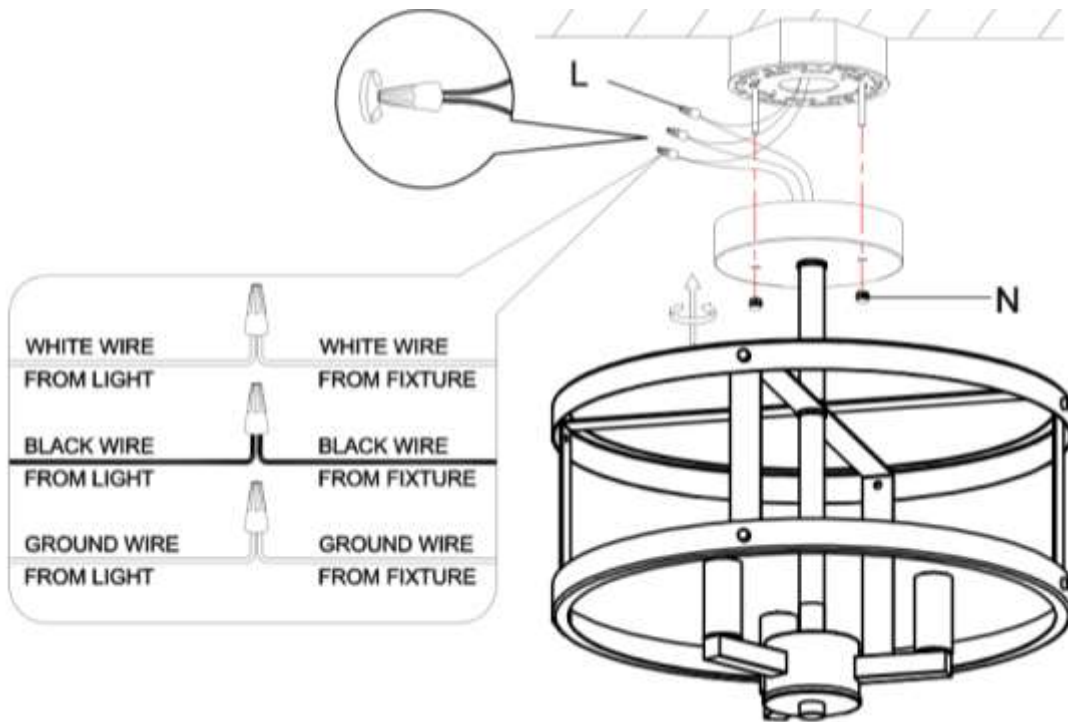
3. Thread the wires from bulb base through Sealing Ring F, Tube E, Canopy, Gasket and Nut, and then assemble them together as below pic.



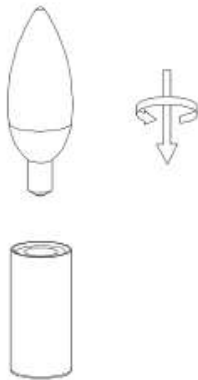
4. Remove the mounting bracket from canopy (leave the bolts on it), and then screw it to the junction box on ceiling.



5. Fix the lamp body to ceiling.
 - a) Connect the wires from ceiling to the wires from lamp with wire connectors.
 - b) Push the canopy up to ceiling, and then fix it by tightening the knobs back to canopy.



6. Screw 3 pcs of E12 bulbs on the bulb base.



Bulbs X3 (not included)

SERVICE

Contact customer service for questions, problems or missing parts.

Customer Service Email:

Service@agv-lighting.com

You can also access the **Buyer-Seller Messaging Service** for your convenience. Log into your Amazon.com account and go to Message center. You can send message to our customer service and view past communications. Send attachments to us, file types supported include plain text (.txt), PDF, images (.jpg, .gif and .png), and word documents.

For eligible return orders, go to **Your Orders** on AMAZON buyer central. Choose the order and select **Return** or **Replace** Items. Select to issue a refund or replacement. The return policy for return orders follows the AMAZON customer service policy.