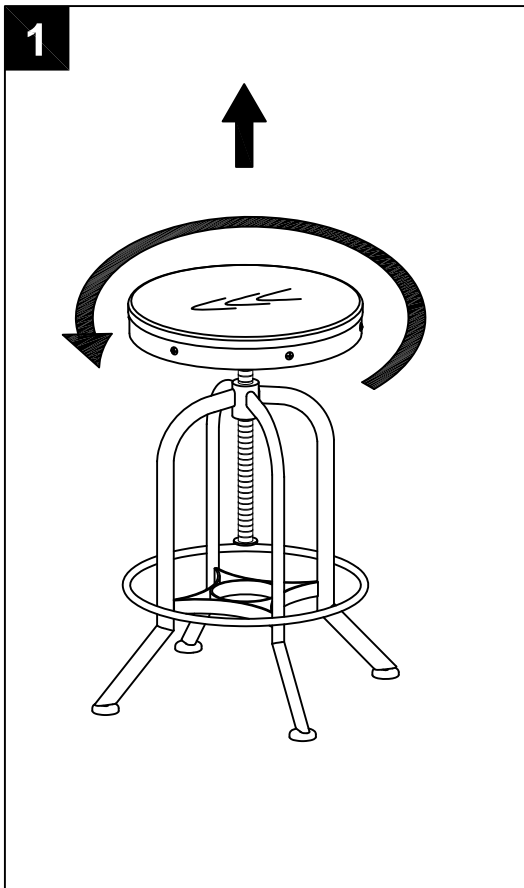


## CARE AND MAINTENANCE

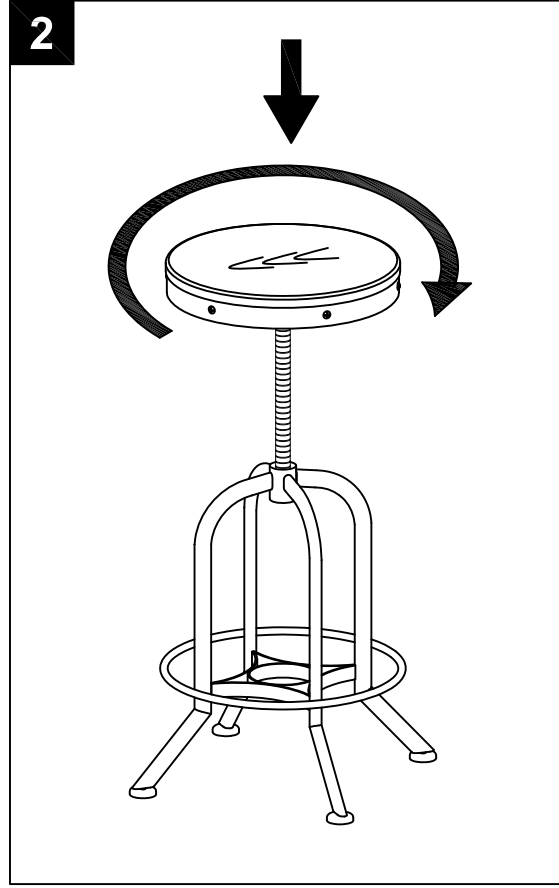
Wipe clean with a soft, dry cloth. Test the cleaning method on a hidden area before using them over the entire area.

## INSTRUCTION MANUAL



### Step 1

To lift up, turn the wooden seat counter-clockwise.



### Step 2

To lower, turn wooden seat clockwise.

Product Dimensions:  $\phi 15\text{-}3/4\text{"}$ x $24\text{"}$  to  $33\text{-}1/2\text{"}$ H

