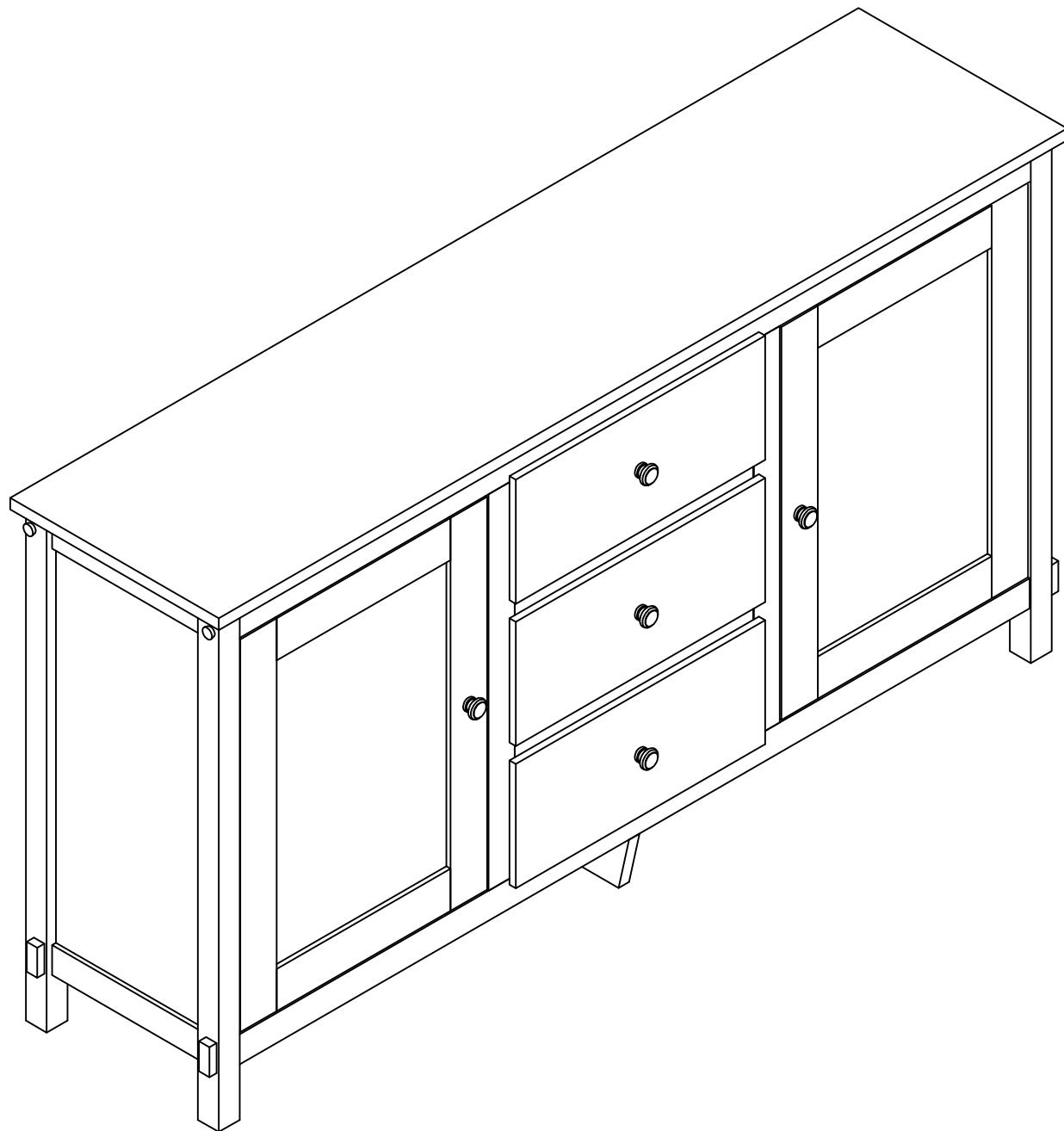
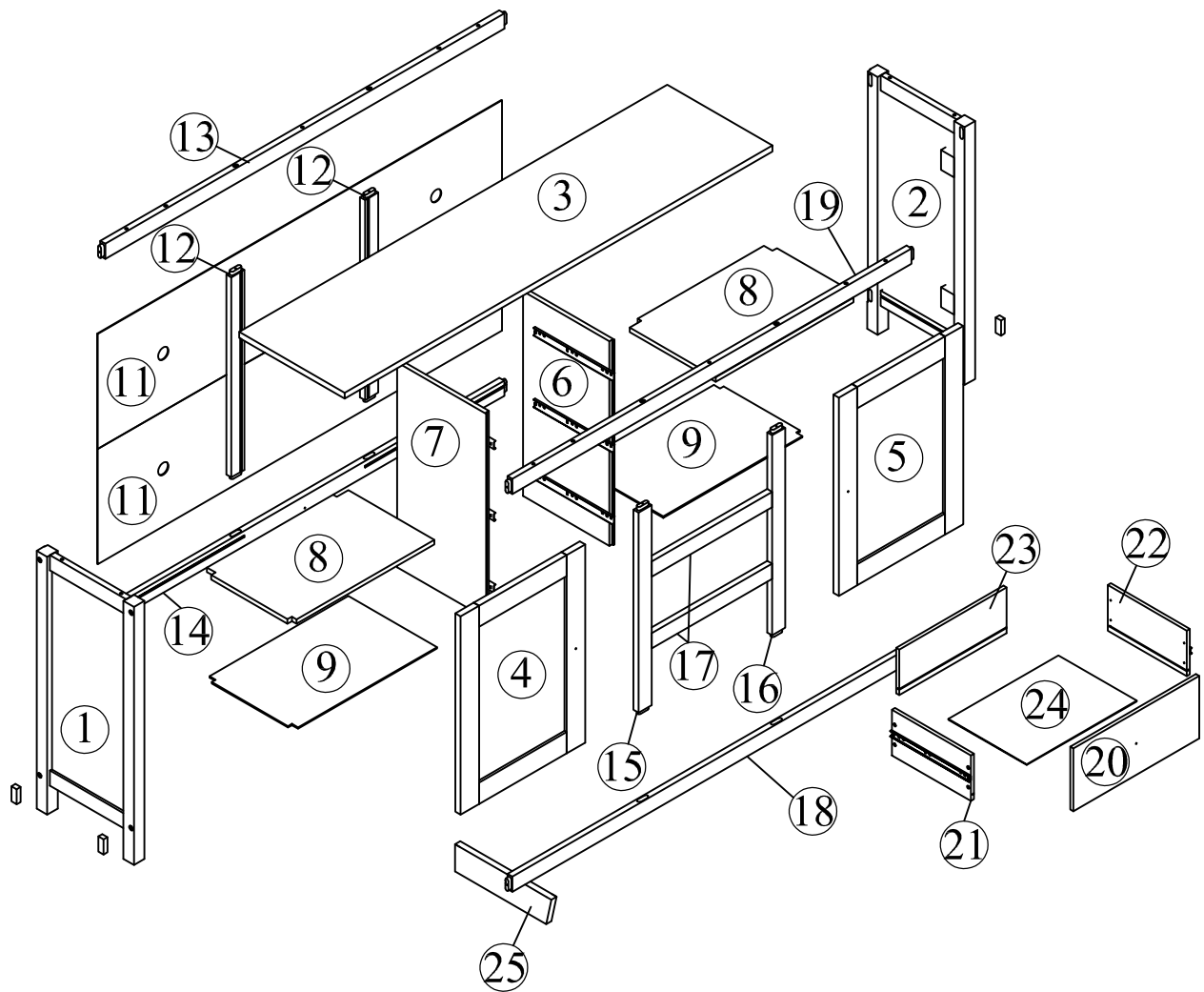


# ASSEMBLY INSTRUCTION


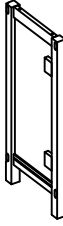
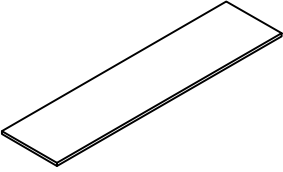
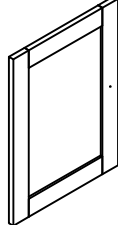
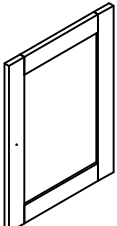

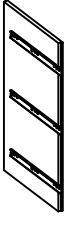
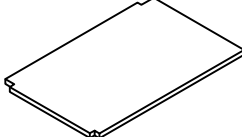
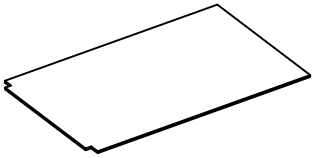
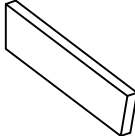
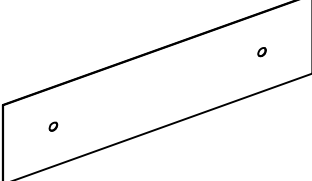
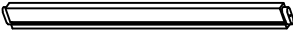
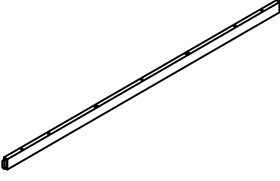
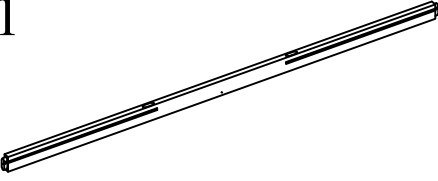
SKU CODE: WF299202



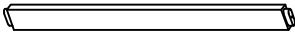
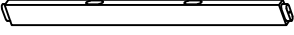

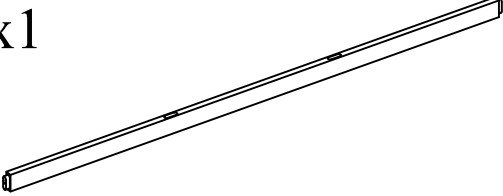
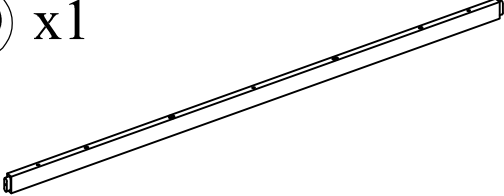
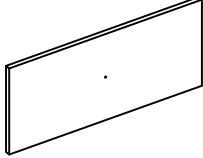
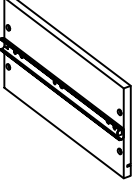
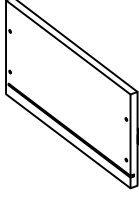
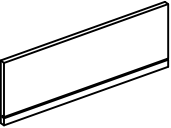
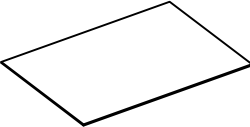
DETAIL VIEW:






















## Part List (WF299202)

<p>① x1</p>  <p><b>Left Side Cabinet</b></p>	<p>② x1</p>  <p><b>Right Side Cabinet</b></p>
<p>③ x1</p>  <p><b>Top Cabinet</b></p>	<p>④ x1</p>  <p><b>Left Door</b></p>
<p>⑤ x1</p>  <p><b>Right Door</b></p>	<p>⑥ x1</p>  <p><b>Middle Cabinet Panel</b></p>
<p>⑦ x1</p>  <p><b>Middle Cabinet Panel</b></p>	<p>⑧ x2</p>  <p><b>Shelf</b></p>
<p>⑨ x2</p>  <p><b>Bottom Cabinet</b></p>	<p>⑫ x1</p>  <p><b>Support Leg</b></p>
<p>⑪ x2</p>  <p><b>Back Cabinet</b></p>	<p>⑫ x2</p>  <p><b>Frame Cabinet</b></p>
<p>⑬ x1</p>  <p><b>Frame Cabinet</b></p>	<p>⑭ x1</p>  <p><b>Frame Cabinet</b></p>

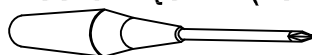
# Part List (WF299202)

<p>①⑤ x1</p>  <p>Frame Cabinet</p>	<p>①⑥ x1</p>  <p>Frame Cabinet</p>
<p>①⑦ x2</p>  <p>Frame Cabinet</p>	<p>①⑧ x1</p>  <p>Frame Cabinet</p>
<p>①⑨ x1</p>  <p>Frame Cabinet</p>	<p>②① x3</p>  <p>Front Drawer</p>
<p>②② x3</p>  <p>Left Side Drawer</p>	<p>②③ x3</p>  <p>Right Side Drawer</p>
<p>②④ x3</p>  <p>Back Side Drawer</p>	<p>②⑤ x3</p>  <p>Bottom Side Drawer</p>


## Hardware List WF299202

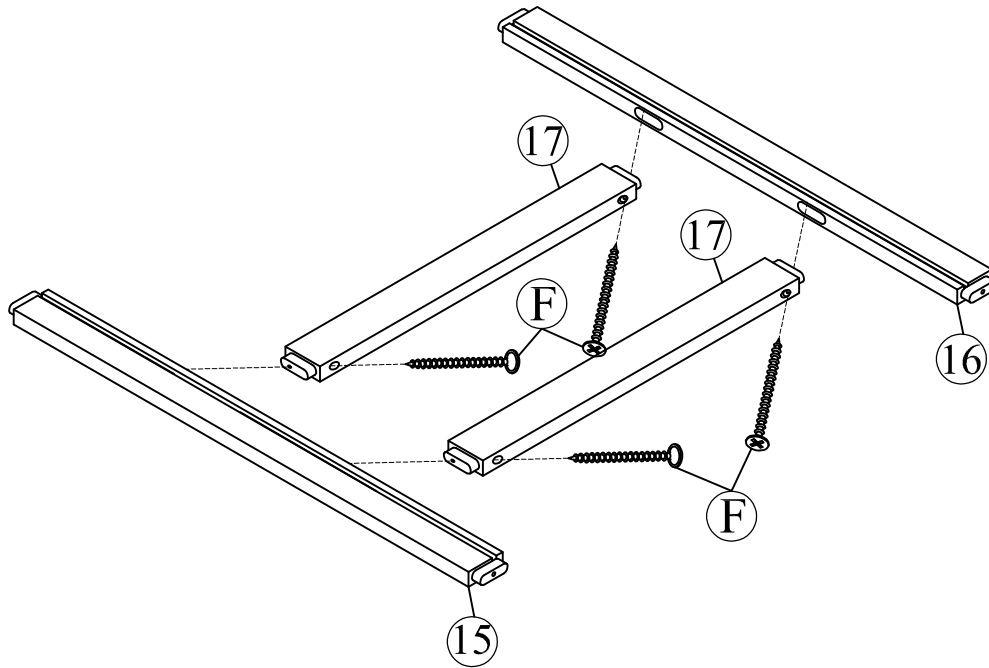
No.	OUTLOOK	DESC	QTY
(A)		Dowel Ø10*30mm	8
(B)		Screws #7*12mm	4
(C)		Screws #7*20mm	32
(D)		Round head screw #8*20mm	24
(E)		Screws #8*25mm	24
(F)		Screws #8*60mm	4
(Z)		Screws #7*15mm	16
(J)		Base L	2
(M)		Inhaler Magnet	2
(N)		Door Hinge	4
(O)		Iron round pin Ø5*20mm	8
(P)		Knob	5
(Q)		Nut wood	4
(R)		Nut wood	4
(T)		Screws Ø6.5*50mm	8
(U)		Screws Ø6.5*60mm	8
(V)		Allen key 60*22*4mm	1
(W)		Bolts 1/4"*15mm	4
(Y)		Base L	8

ASSEMBLY TOOLS REQUIRED (NOT INCLUDED)



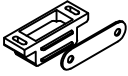



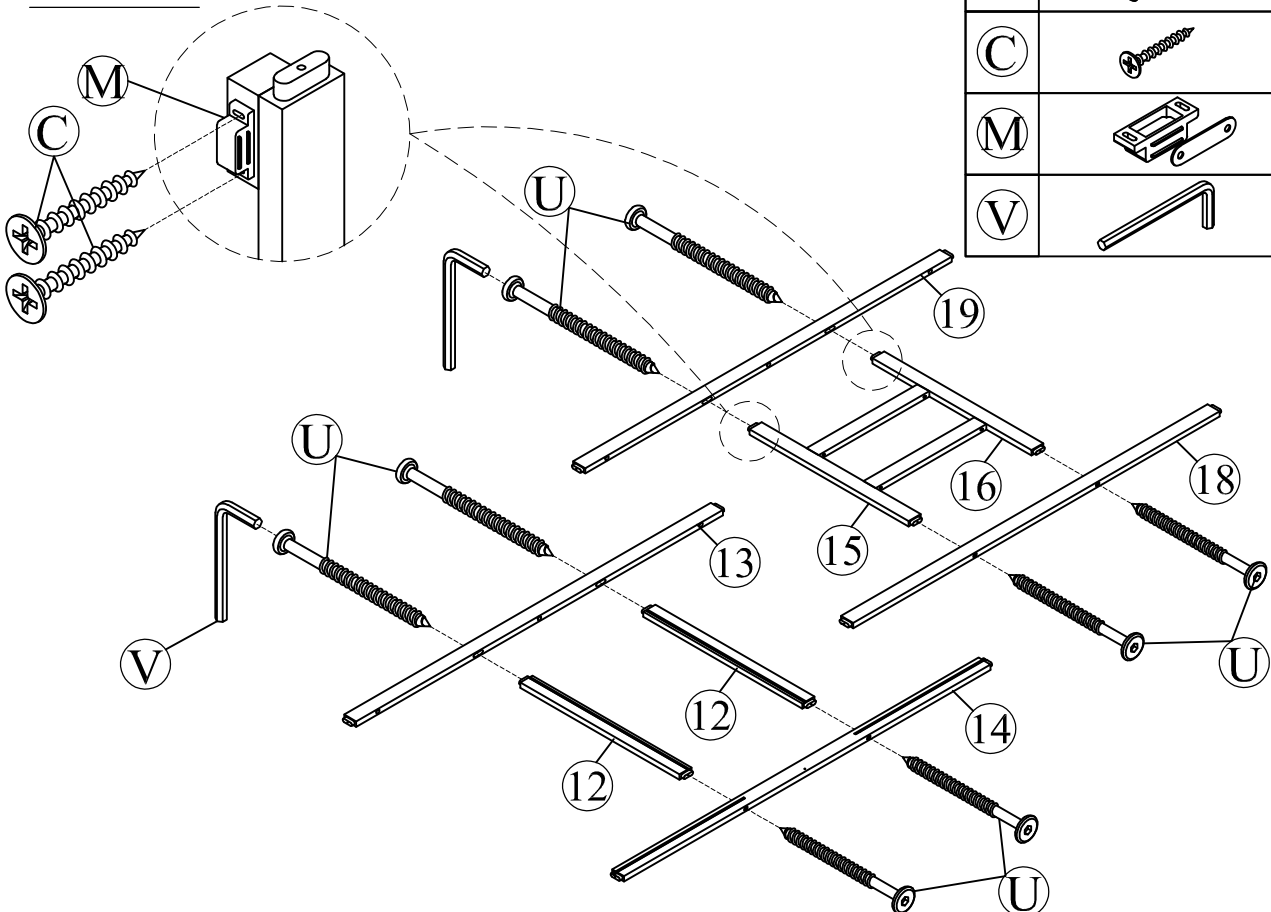
**STEP 1:**

(F)		04
-----	---	----

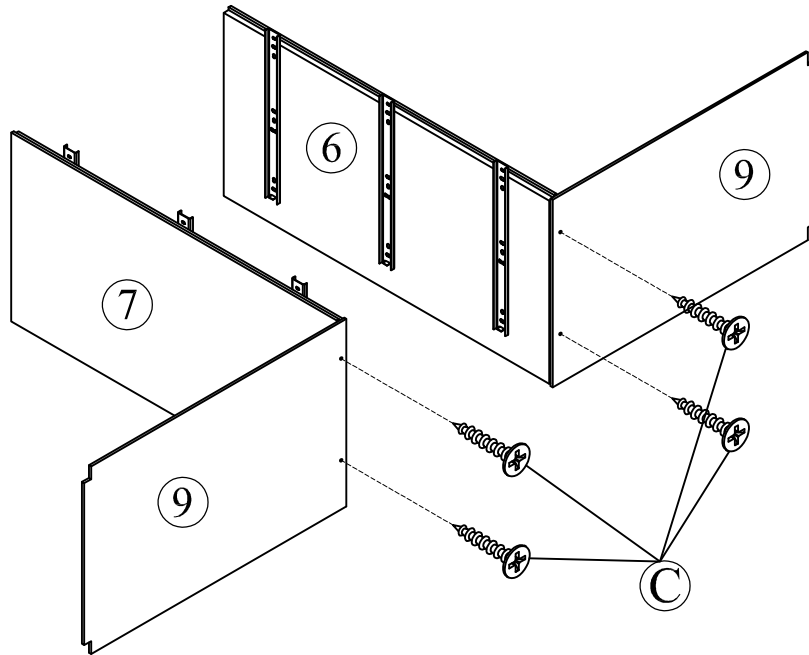


**STEP 2:**

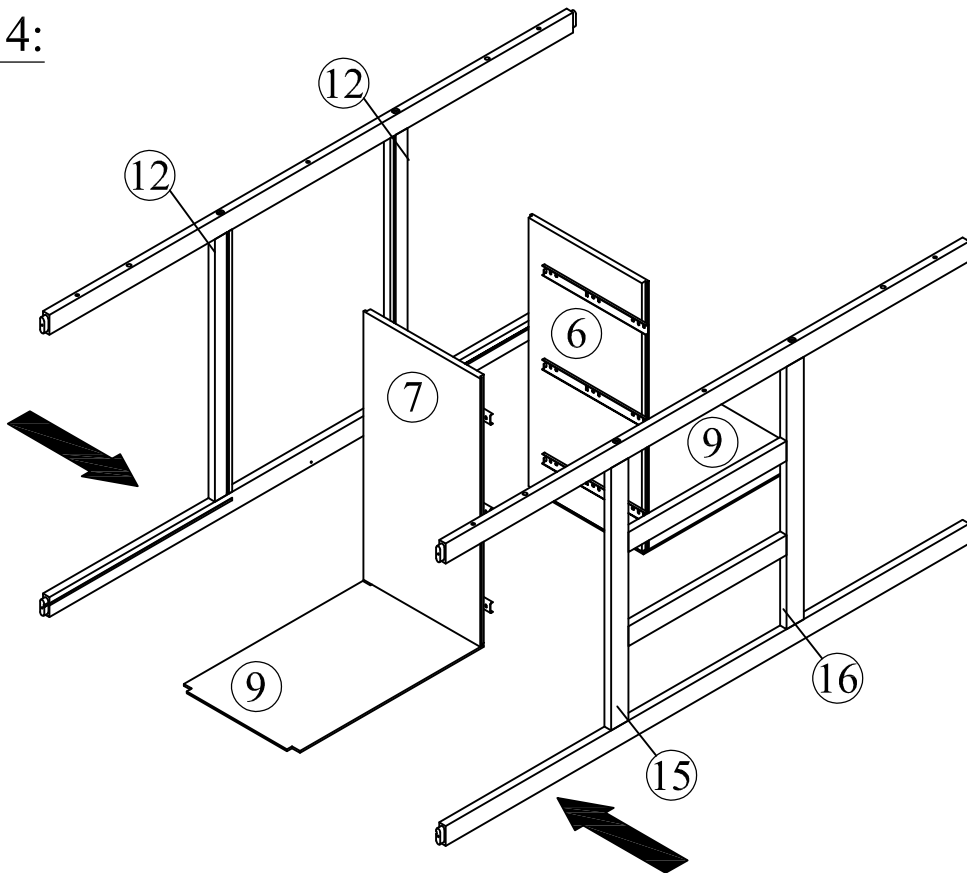
(U)		08
(C)		04
(M)		02
(V)		01



STEP 3:





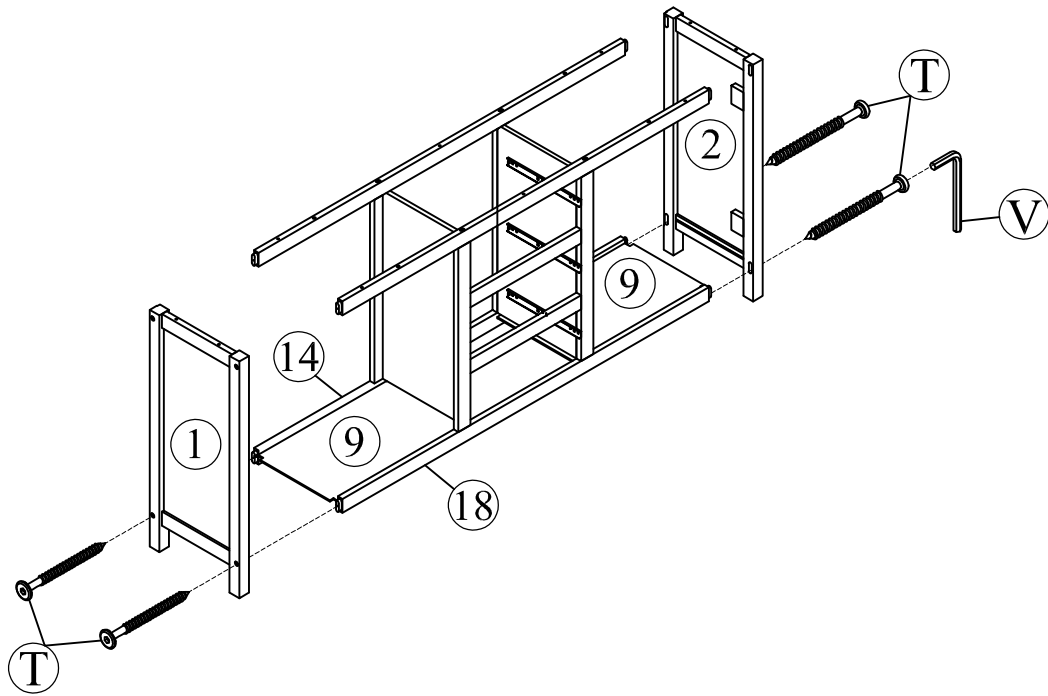
STEP 4:





Push the two assemblies in STEP 2 into the position of part 12-15-16. So that the parts fit into the pre-cut groove.

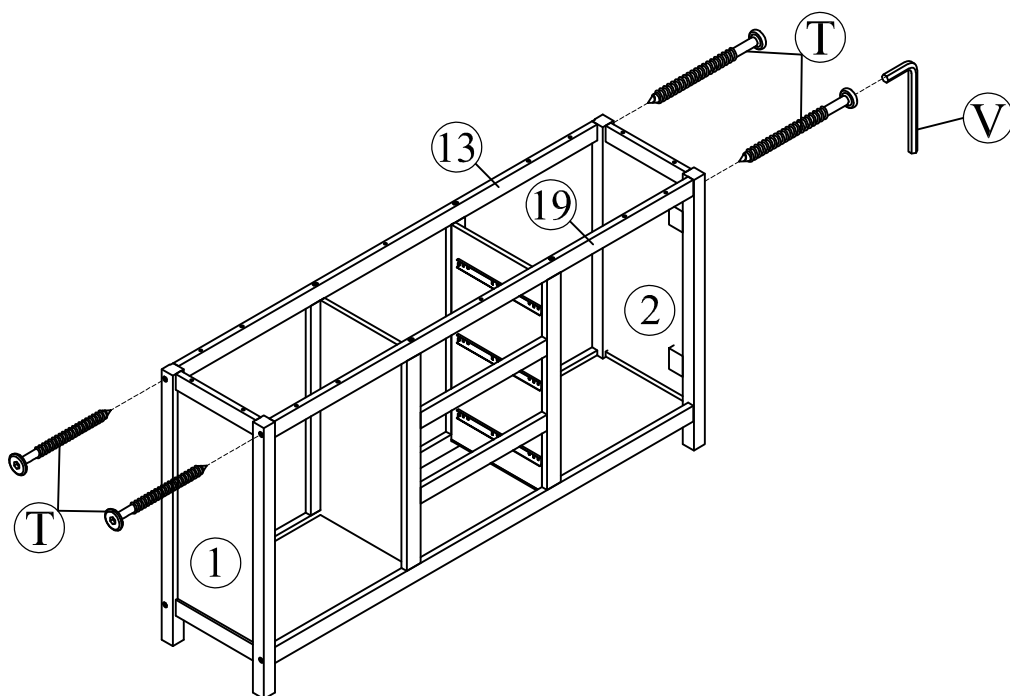
STEP 5:

(T)		04
(V)		01






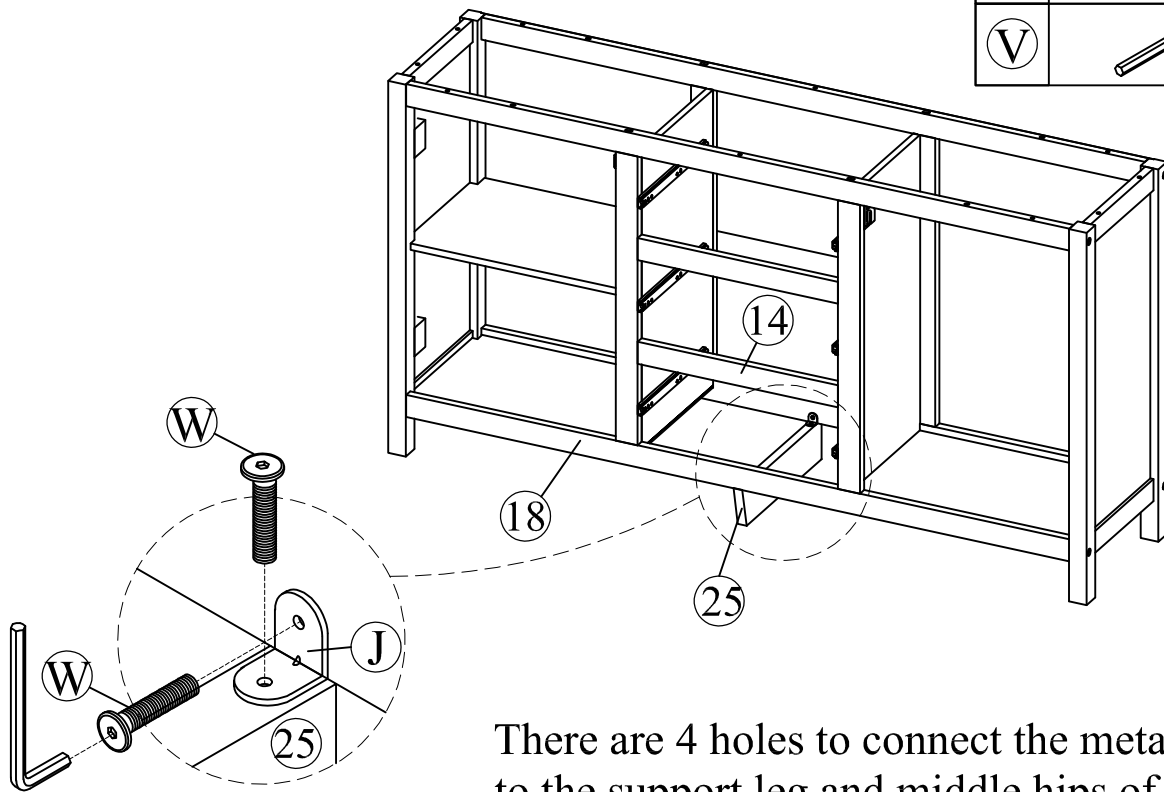
STEP 6:

(T)		04
(V)		01







**STEP 7:**

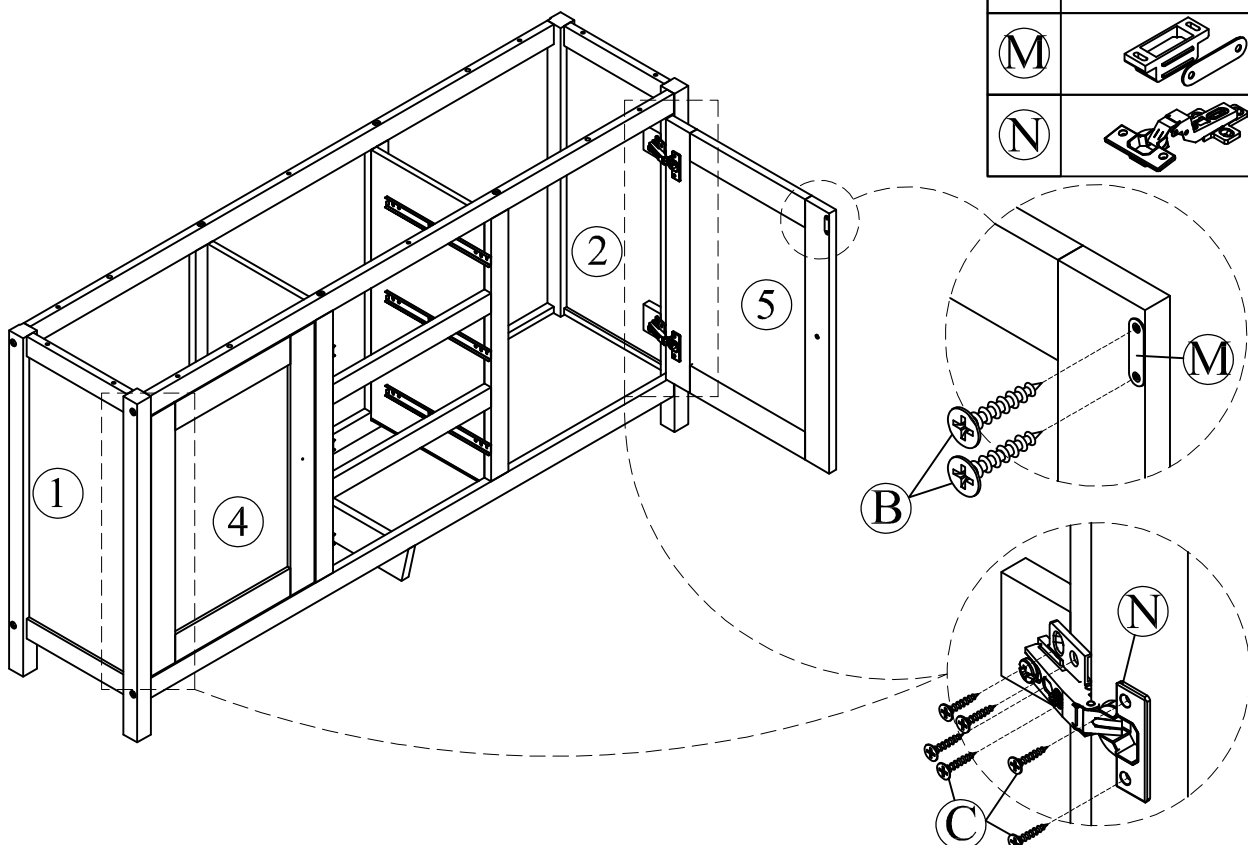
(J)		02
(W)		04
(V)		01



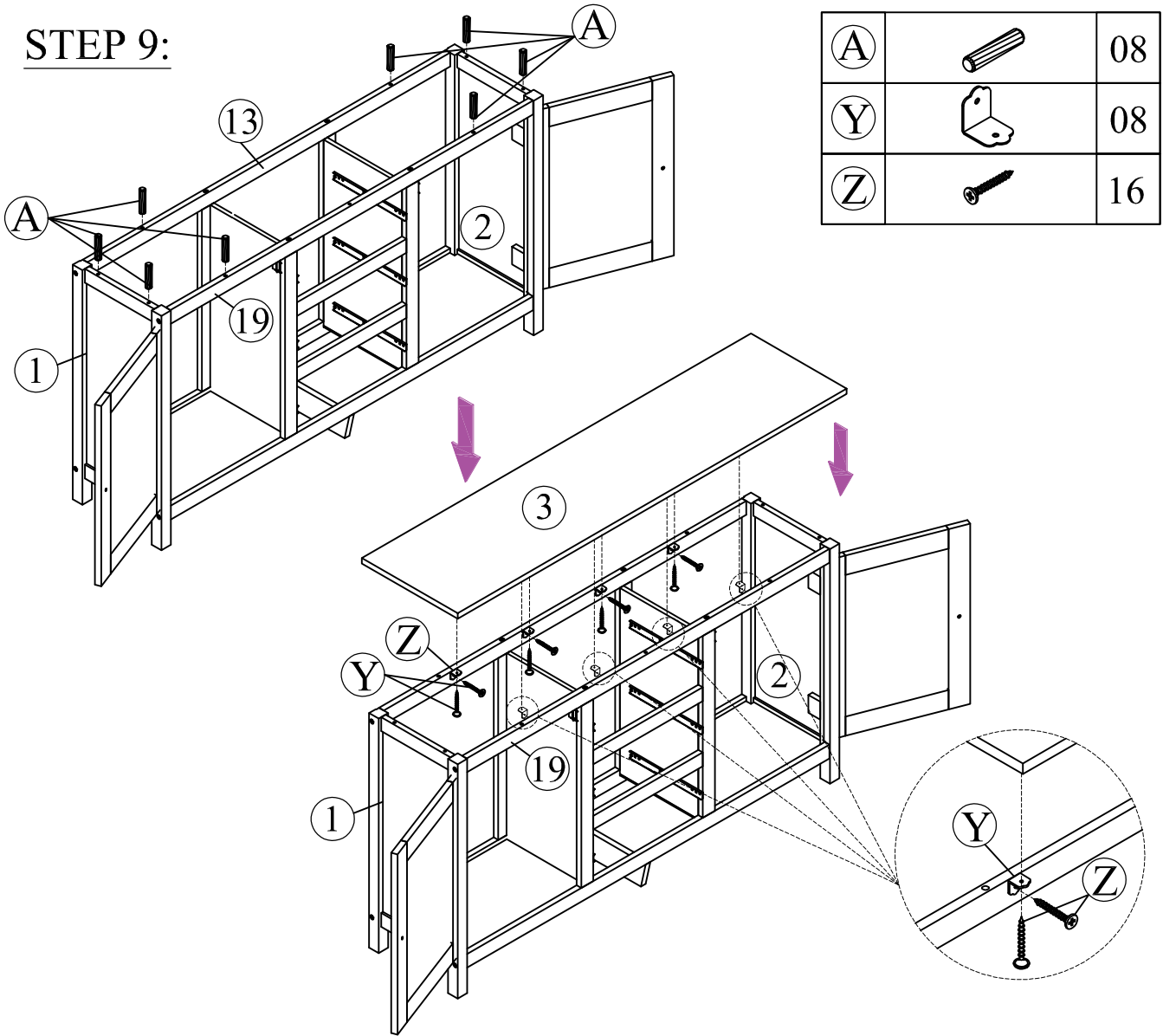
There are 4 holes to connect the metal base to the support leg and middle hips of the cabinet.

**STEP 8:**

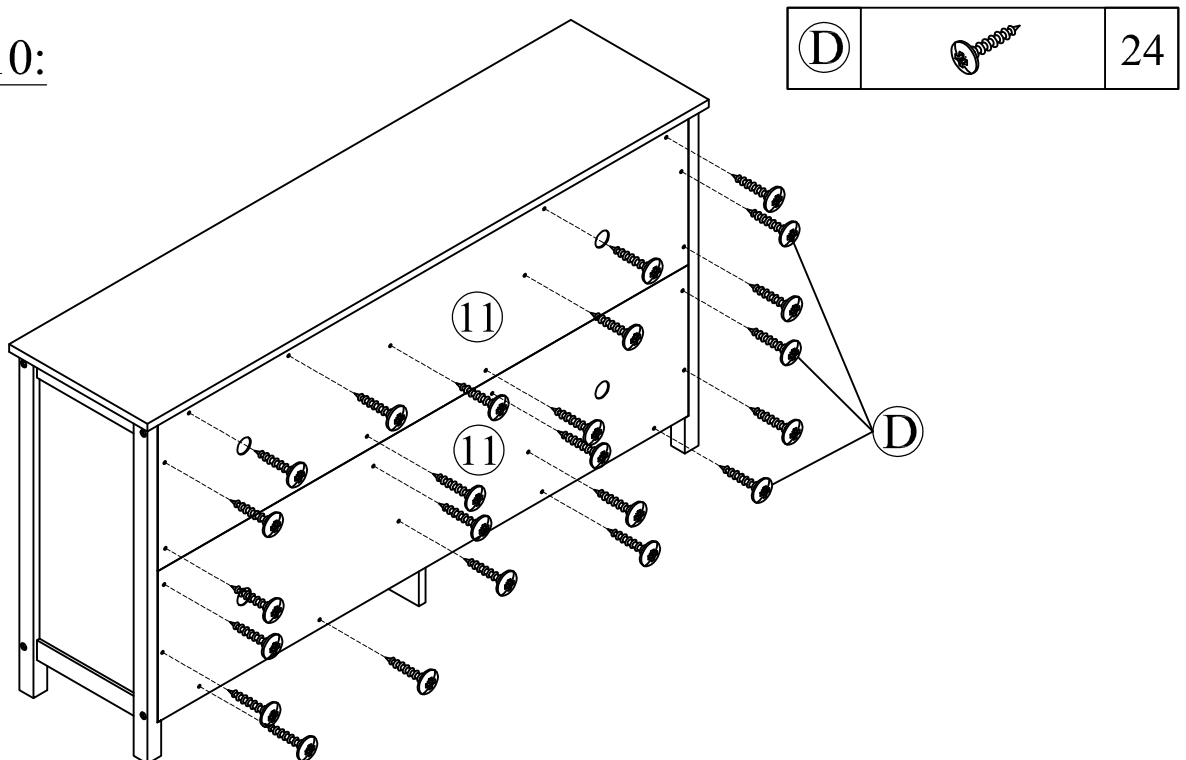
(B)		04
(C)		24
(M)		02
(N)		04




**STEP 9:**

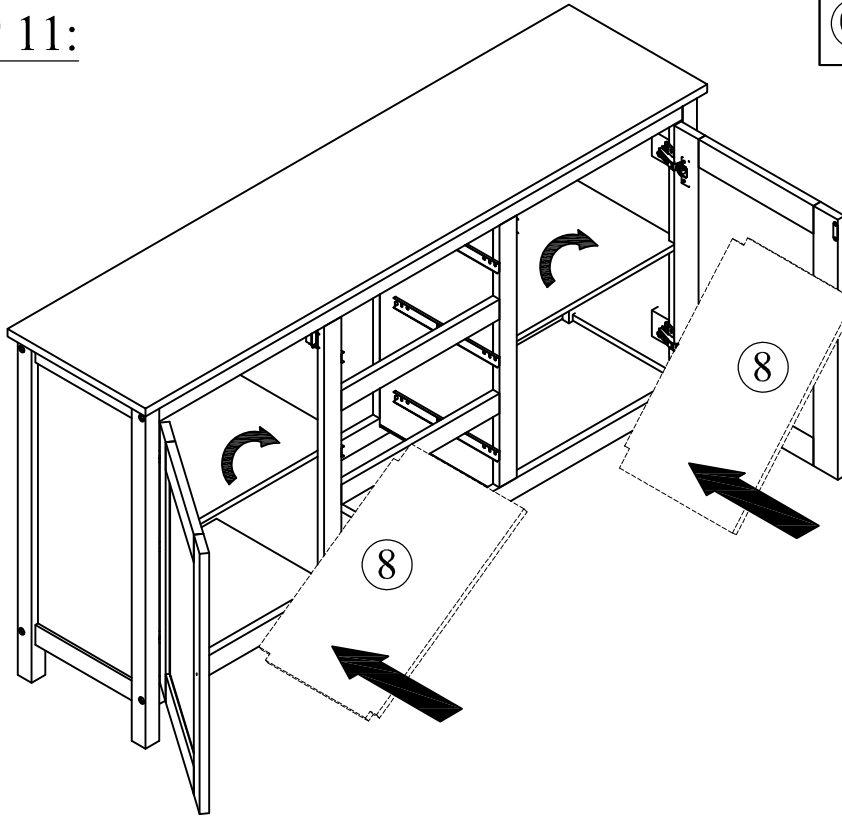


**STEP 10:**




**STEP 11:**

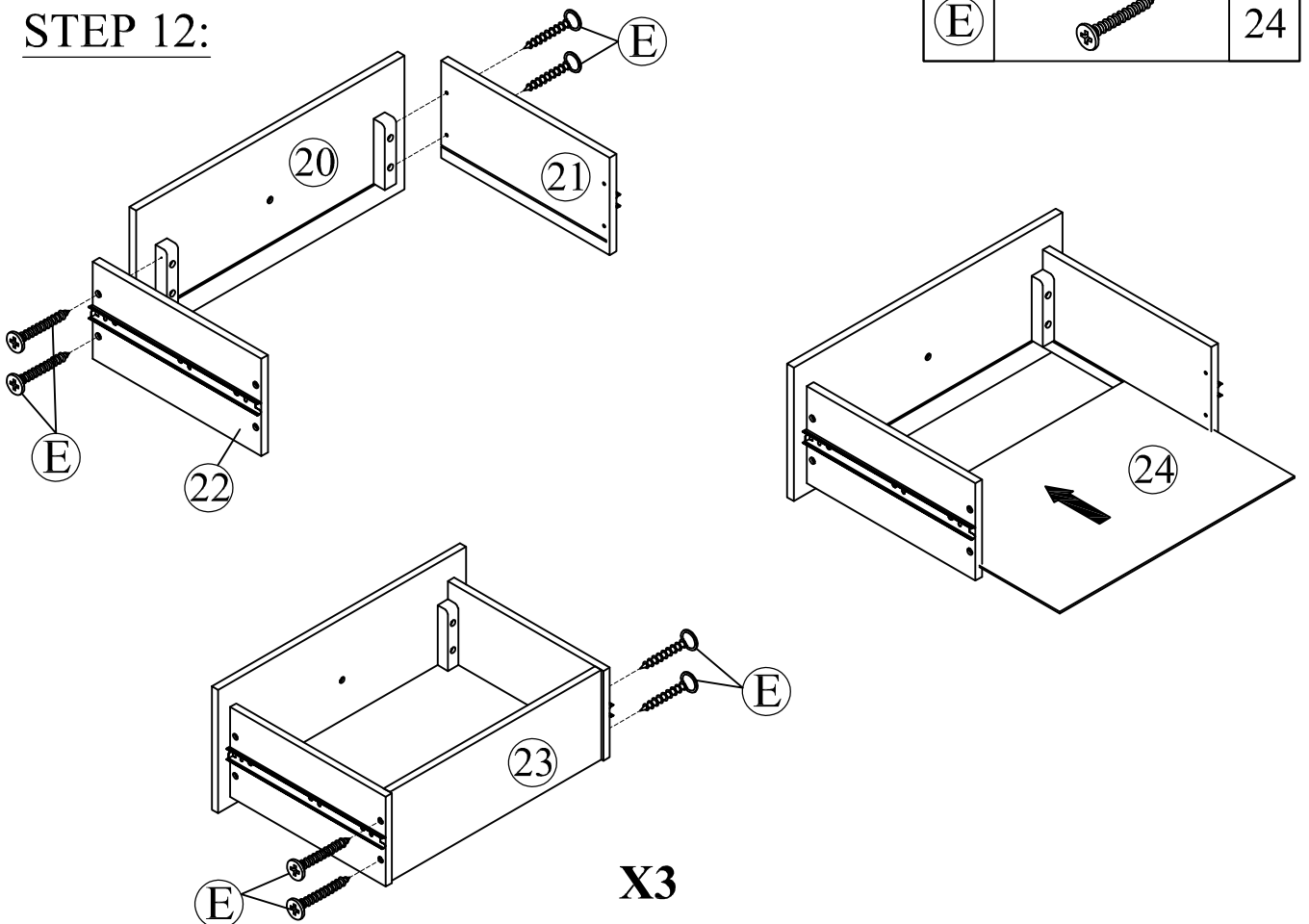
⊙		08
---	---	----



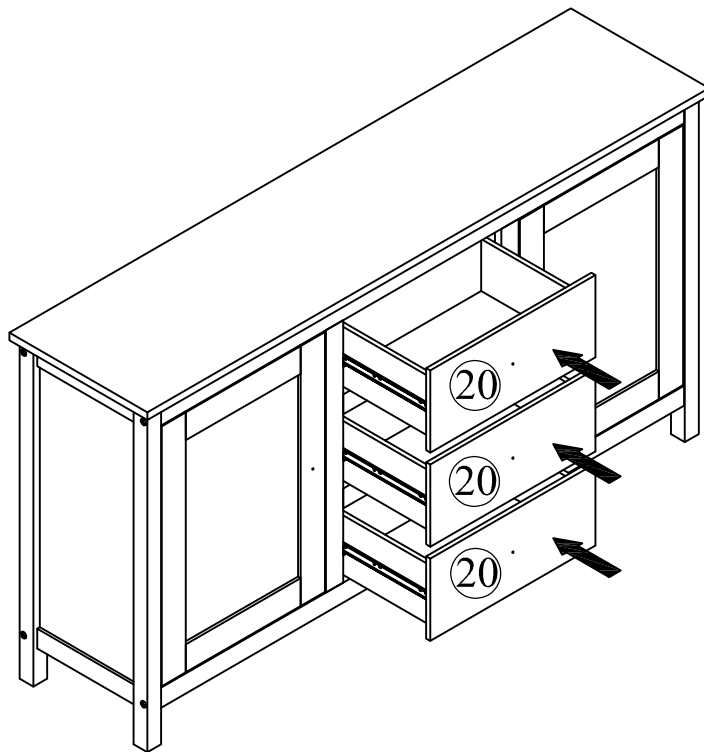
There are locating hole. Just leave the iron pin and fix the floorboard exactly as instructed (Left 4pcs, Right 4pcs)

**STEP 12:**




ⓔ		24
---	---	----

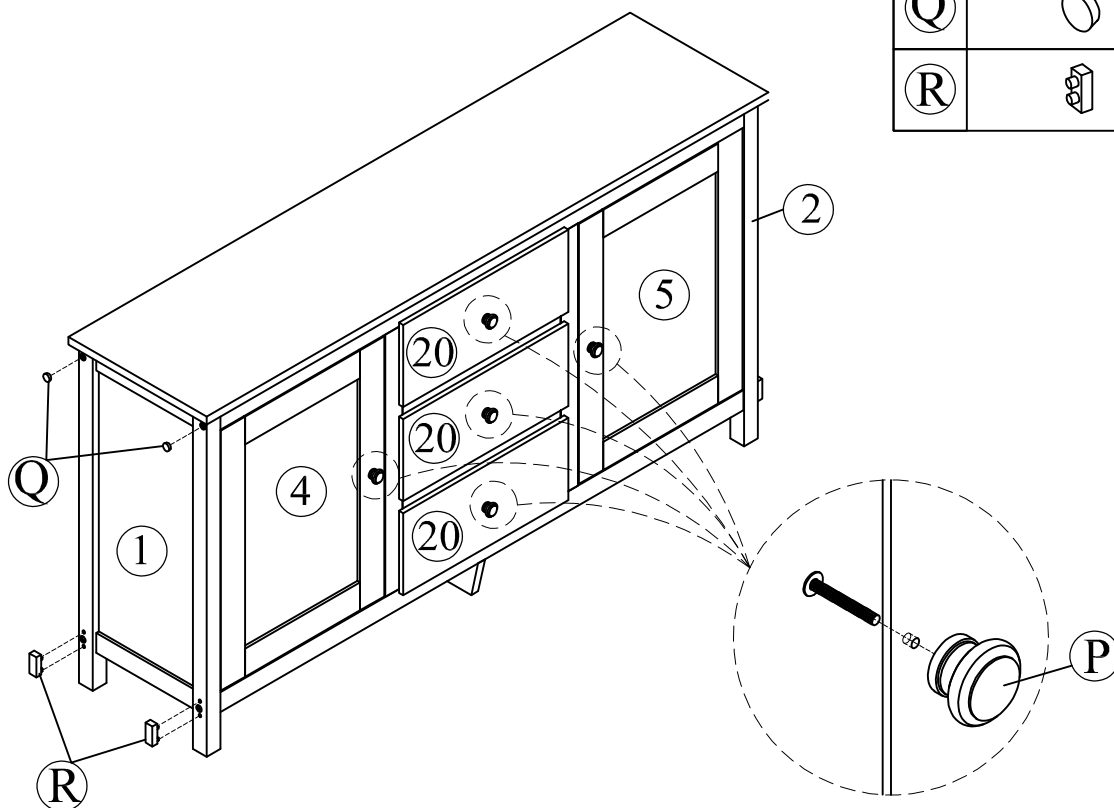


STEP 13:



STEP 14:

(P)		05
(Q)		04
(R)		04



FINAL:

