

WALKER EDISON

®

End Table

SKU# WEDDR232D4C01

SKU# WEDDR232D4MB1



For Residential Use Only

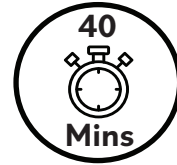
Please visit our website for the most current instructions, assembly tips, report damage, or request parts. www.walkerredison.com



Time to get started

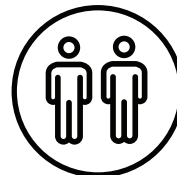
Set up a clean and soft workplace to get started and avoid damage during the assembly. It also helps to double-check you've got all the pieces and parts before diving in to assembly.

Estimated time for assembly



People recommended for assembly

Make it a team effort! Grab a friend for quicker, easier assembly.



2 People Build

Tools Needed

Grab a Phillips head screwdriver to conquer this assembly.
Phillips head screwdriver is not included.



Use power tools with caution

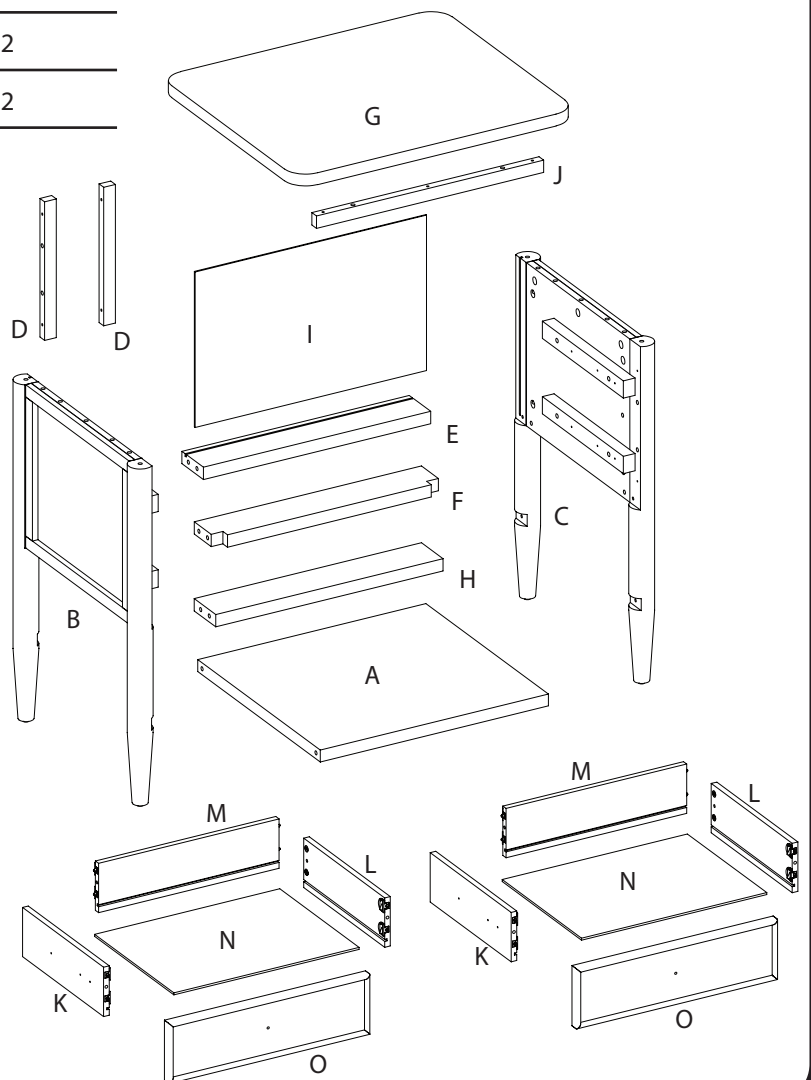
You can cause cracking or damage to the material and easily strip the hardware. If you choose to use a power tool, your product will no longer be covered under Walker Edison's warranty.





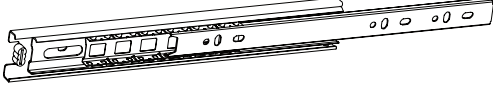
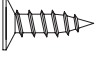
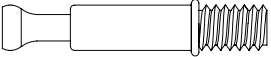
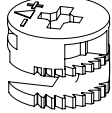


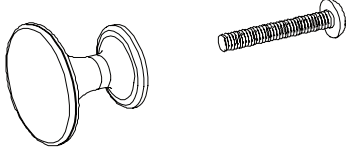
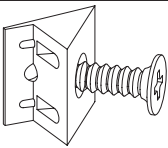
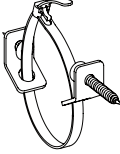
Scan to get assembly tips and help!

WE Parts List

Part Number	Description	Quantity
A	Bottom Panel	1
B	Left Panel	1
C	Right Panel	1
D	Side Surround Rail	2
E	Lower Back Rail	1
F	Middle Rail	1
G	Top Panel	1
H	Lower Front Rail	1
I	Back Panel	1
J	Top Surround Rail	1
K	Drawer Left Panel	2
L	Drawer Right Panel	2
M	Drawer Back Panel	2
N	Drawer Bottom Panel	2
O	Drawer Face Panel	2



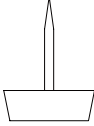
WE Hardware List

	Part	Size	Name	Quantity	Part code
AA		Ø8x30mm	Wood Dowels	20	PH-DWLNTL001
BB		Ø4x31mm	Screw	7	PH-SCRBLK014
CC			Drawer Slide 10"	4	WECHA01204
DD		Ø3.5x12mm	Screw	24	PH-SCRBLK017
EE		Ø6x34mm	Cam Bolt	16	PC-KDBZNCH34
FF			Cam Lock	16	PC-KDCZNCH11
GG		Ø30mm	Cover	24	PC-KDPXXX011
HH		Ø6x30mm	Wood Dowels	8	PH-DWLNTL002
II			Handle (With Screw)	2	PH-WEDDR232D4-II
JJ			Back Panel Bracket	8	PH-BKTBRW017
KK			Tipping Restraint Hardware	1	PH-FTRHH510

*The hardware quantities listed above are required for proper assembly.
Extra hardware pieces may be included.*

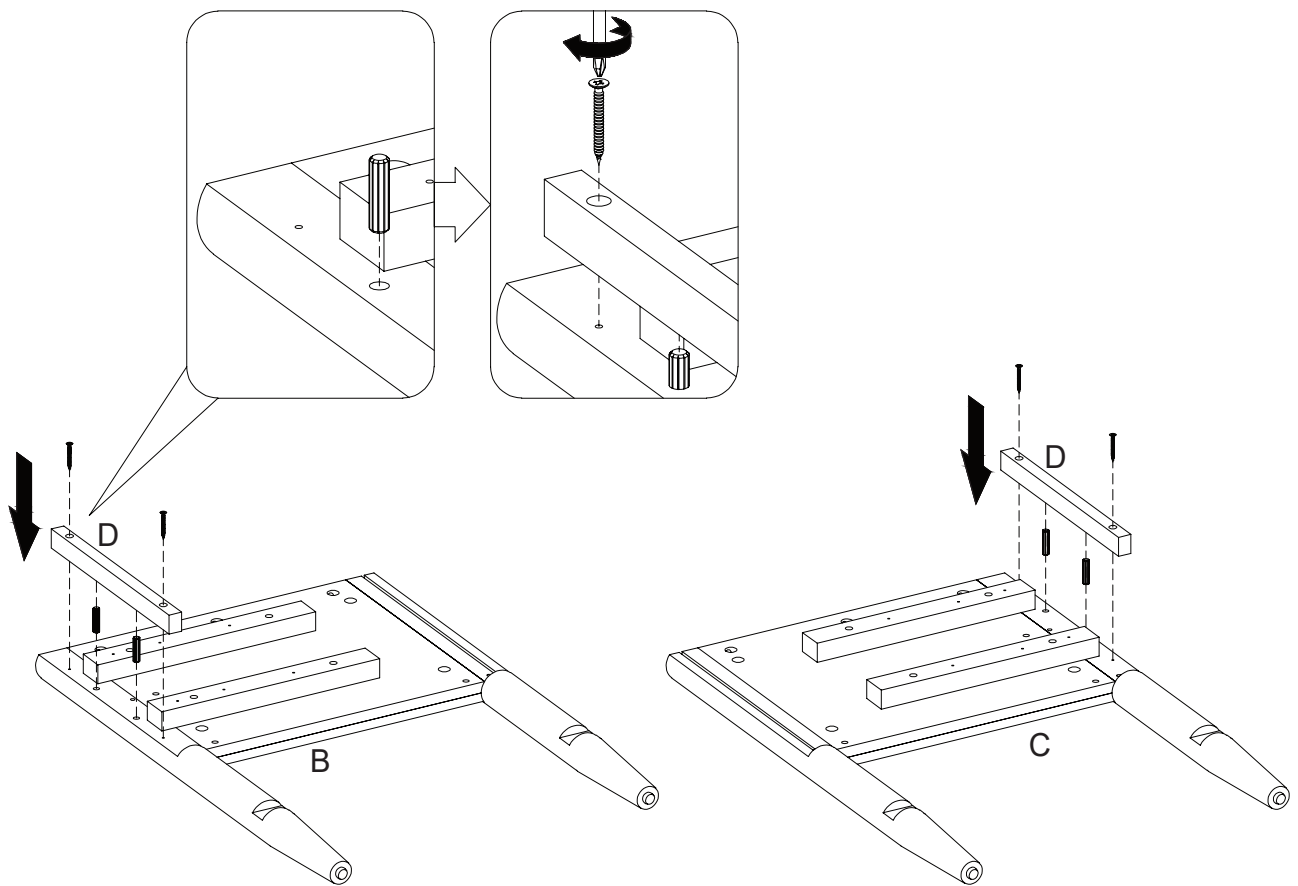


Installed Replacements Parts

	Part	Size	Name	Quantity	Part code
LL			Floor glide	4	PH-GLDWHT001

Step 1

Let's get started! First, align the wood dowels (AA) to the pre-drilled holes in left panel (B) and side surround rail (D). Secure using screws (BB) and then repeat the process with the other right panel (C) and front side support (D).



AA



[x4]

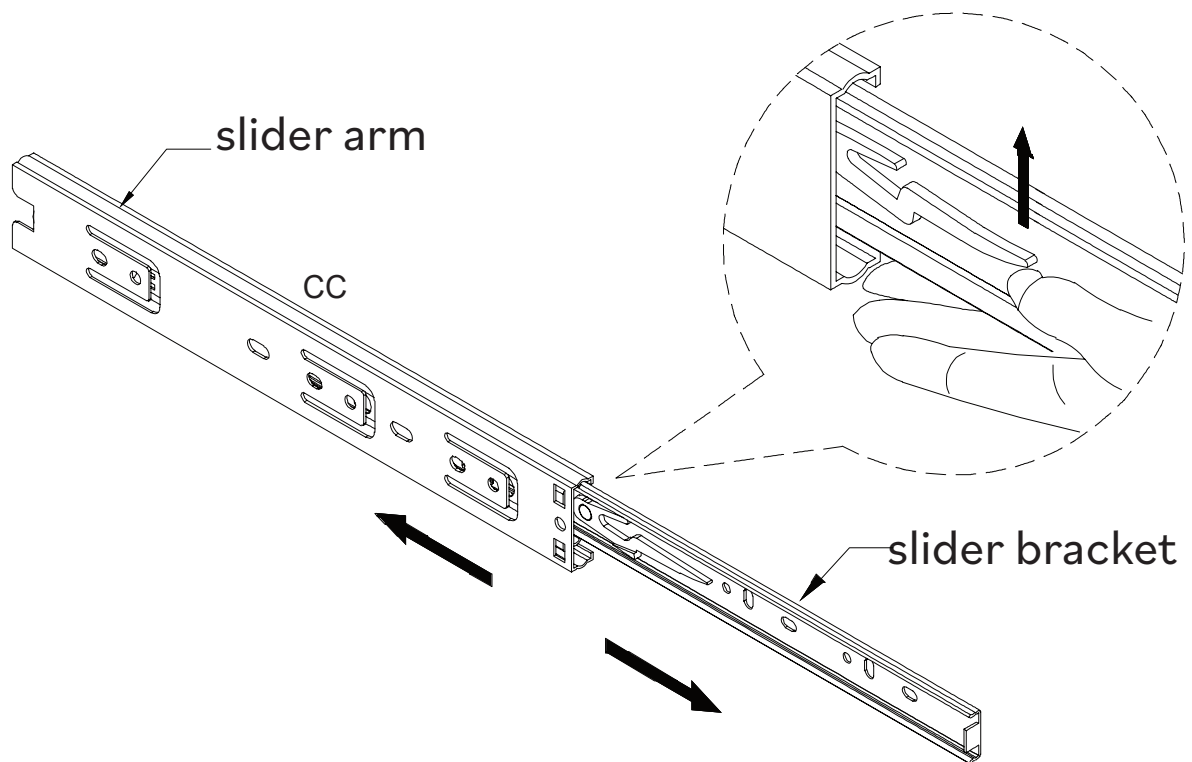
BB



[x4]

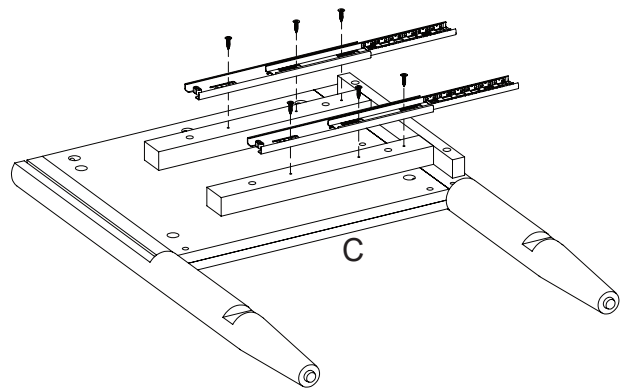
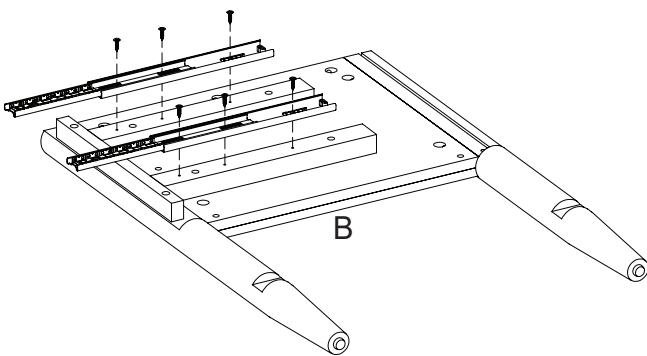
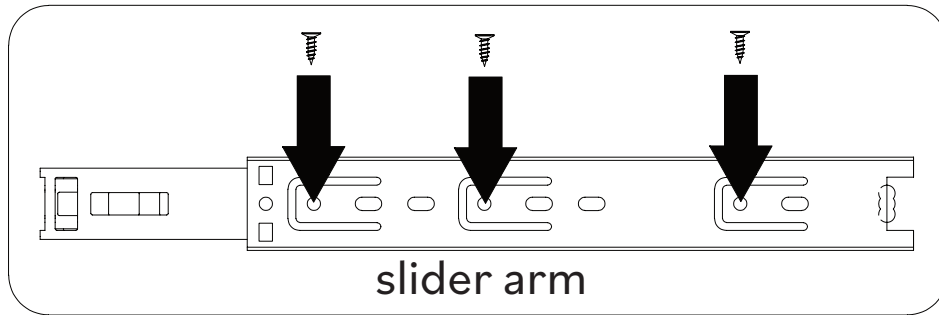
Step 2

Take the drawer slide (CC) and extend the bracket all the way forward. Press the plastic release lever on the slider arm up. Then, pull the slider bracket completely out.

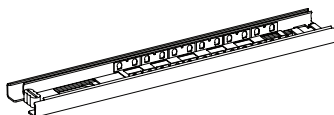


Step 3

Now, take the slider arm (CC) and align the holes in the slider arm (CC) to the pre-drilled holes in the left panel (B). Secure using screws (DD) and then repeat the process with the right panel (C).

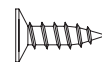


CC



[x4]

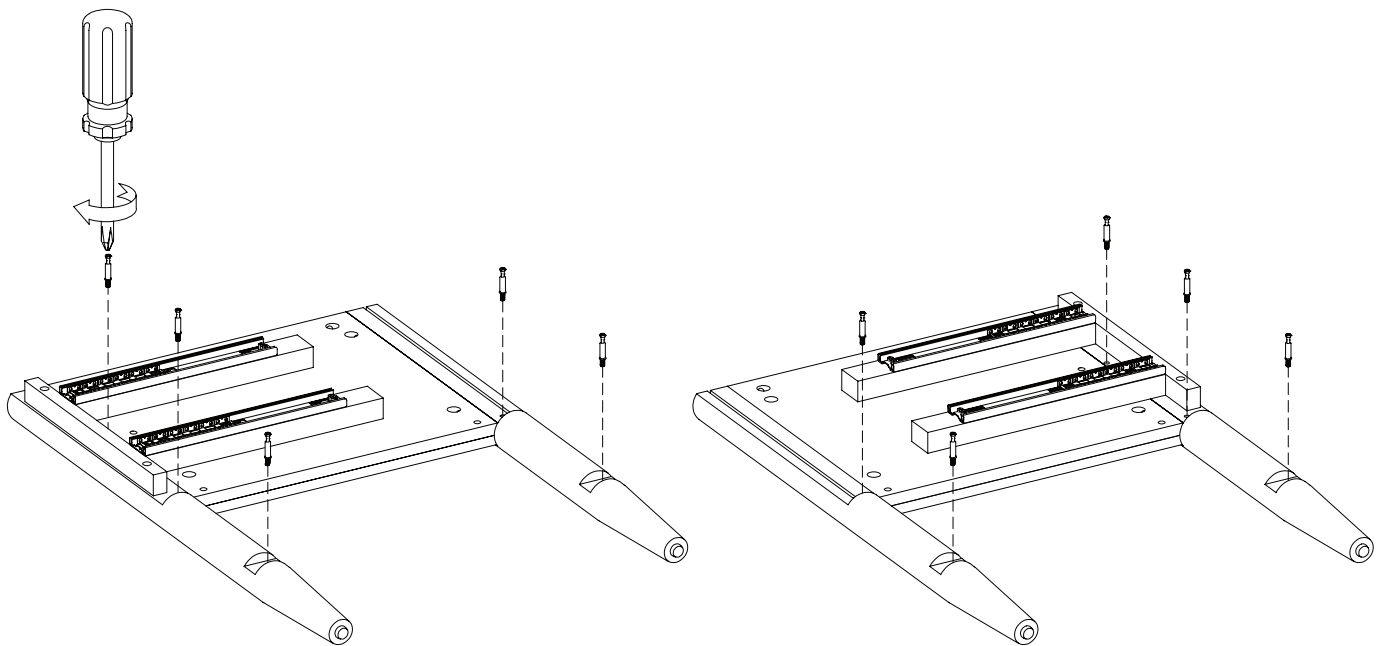
DD



[x12]

Step 4

Then, screw in the cam bolt (EE) into the pre-drilled holes in both side panels as shown in the image.



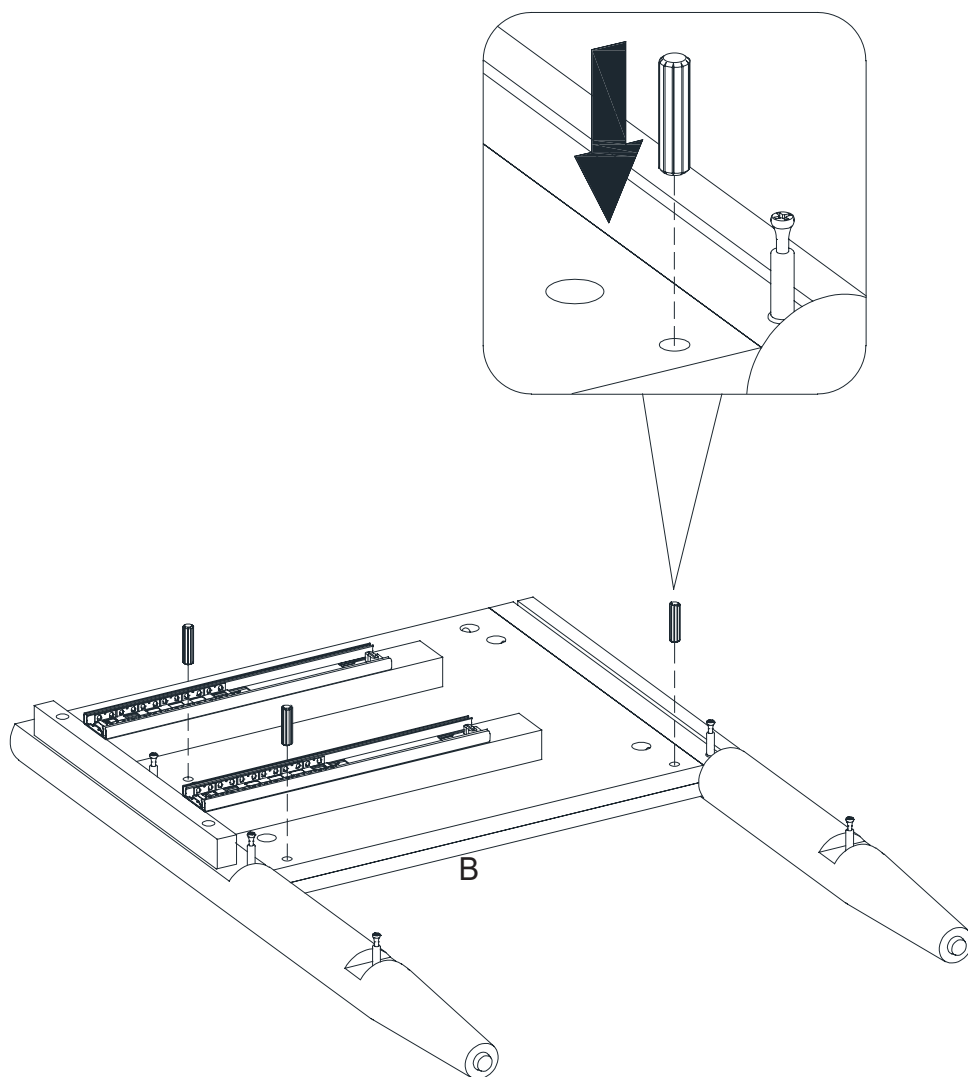
EE



[x10]

Step 5

Insert the wood dowels (AA) into the pre-drilled holes in the left panel (B).



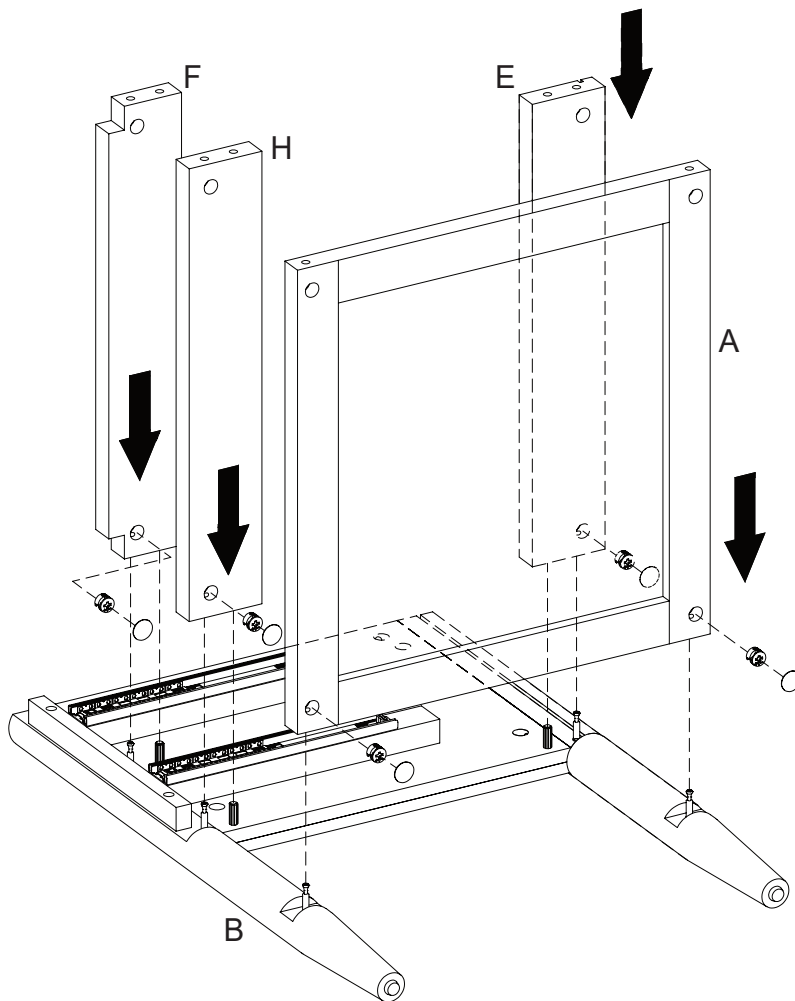
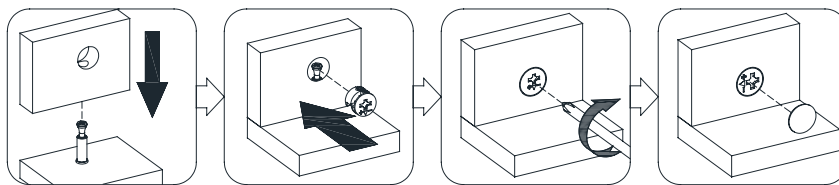
AA



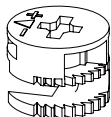
[x3]

Step 6

Align the pre-drilled holes in bottom panel (A) to the cam bolts in the left panel (B) and then insert the cam locks (FF) into place as shown. Then, place the covers (GG) over the cam locks. Then, repeat the process with the lower back rail (E), middle rail (F) and lower front rail (H).



FF



[x5]

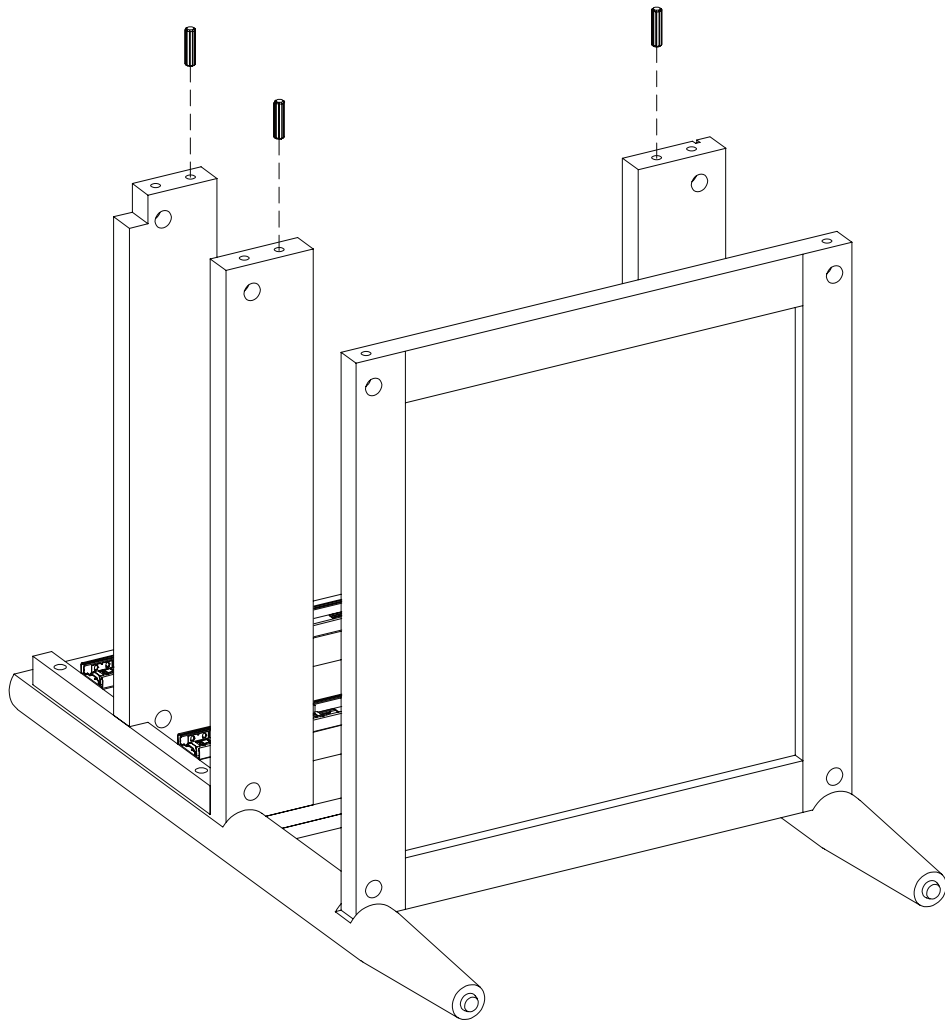
GG



[x5]

Step 7

Insert the wood dowels (AA) into the pre-drilled holes in side panels as shown in the image.



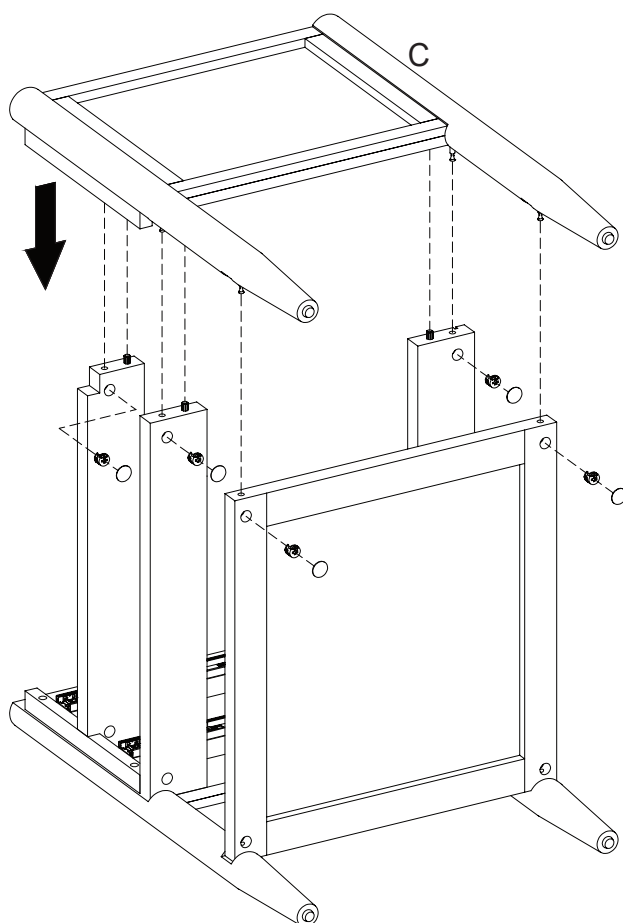
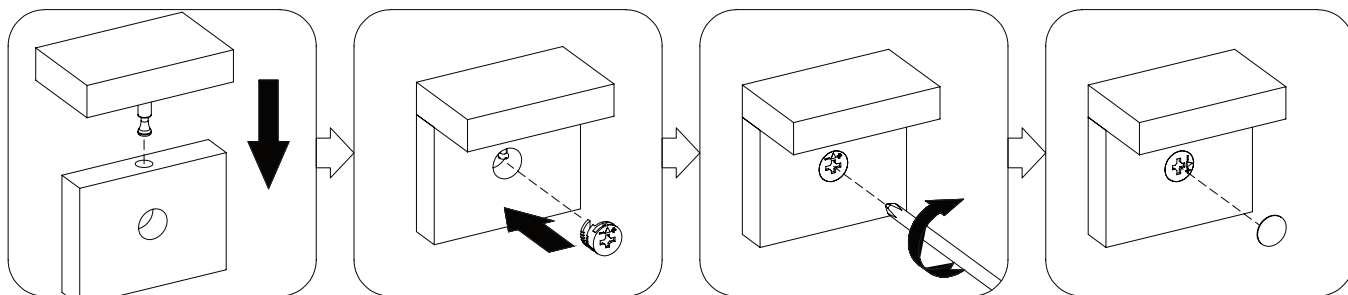
AA



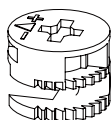
[x3]

Step 8

Attach the cam bolts in the right panel (C) to the pre-drilled holes in the assembled unit and then insert the cam locks (FF) into place as shown. Then, place the covers (GG) over the cam locks.



FF



[x5]

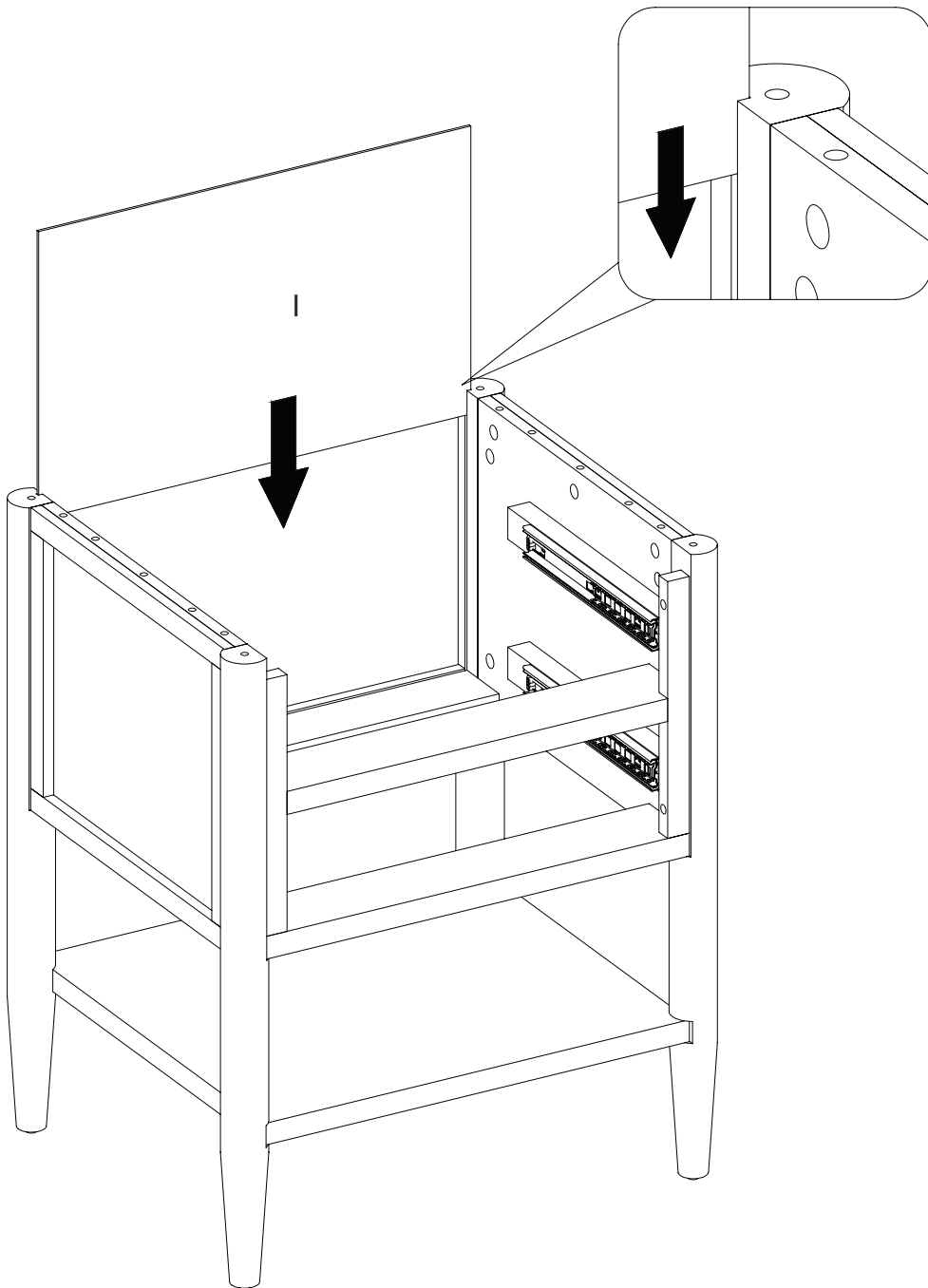
GG



[x5]

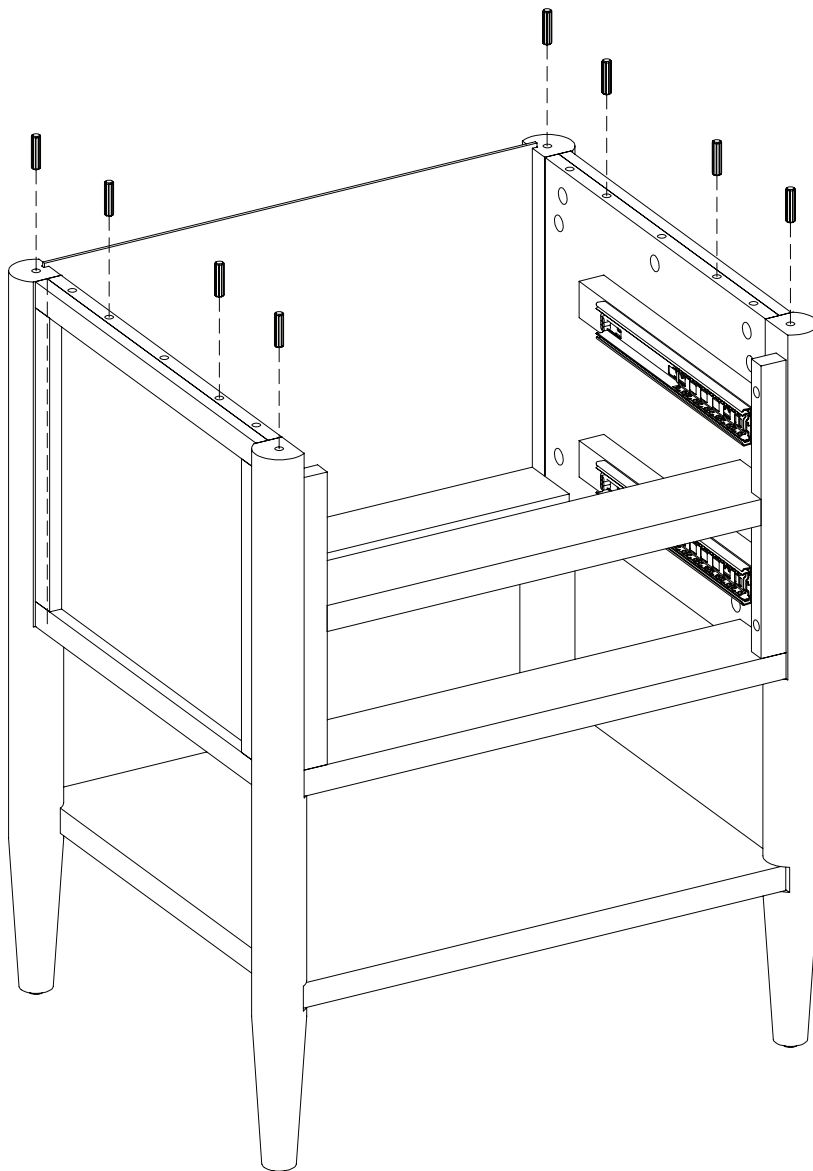
Step 9

Slide the back panel (I) down into the assembled unit.

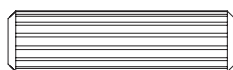


Step 10

Insert the wood dowels (AA) into the assembled unit as shown in the image.



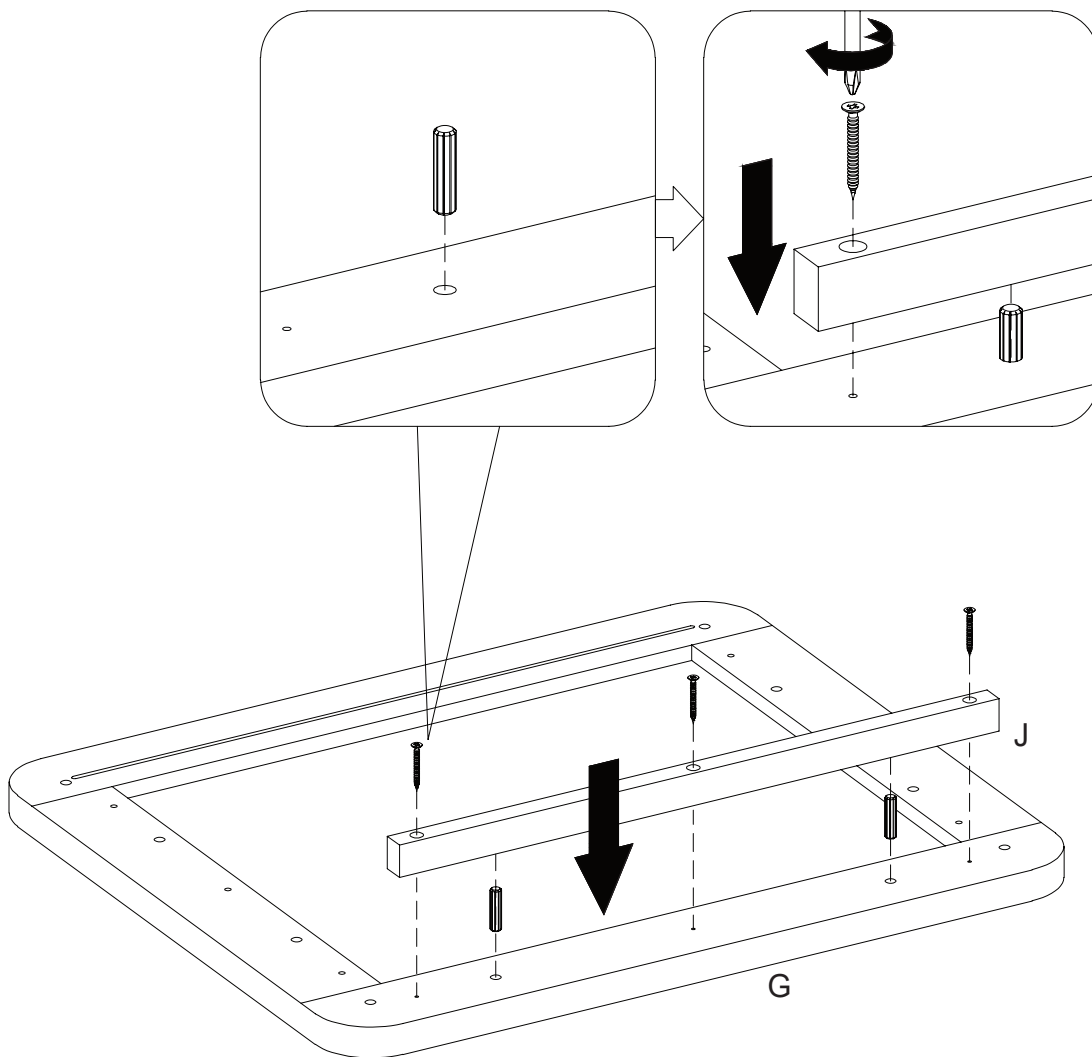
AA



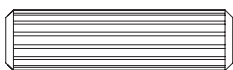
[x8]

Step 11

Align the wood dowels (AA) to the pre-drilled holes in the top surround rail (J) and top panel (G). Then, secure with the screws (BB).

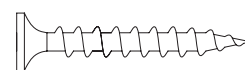


AA



[x2]

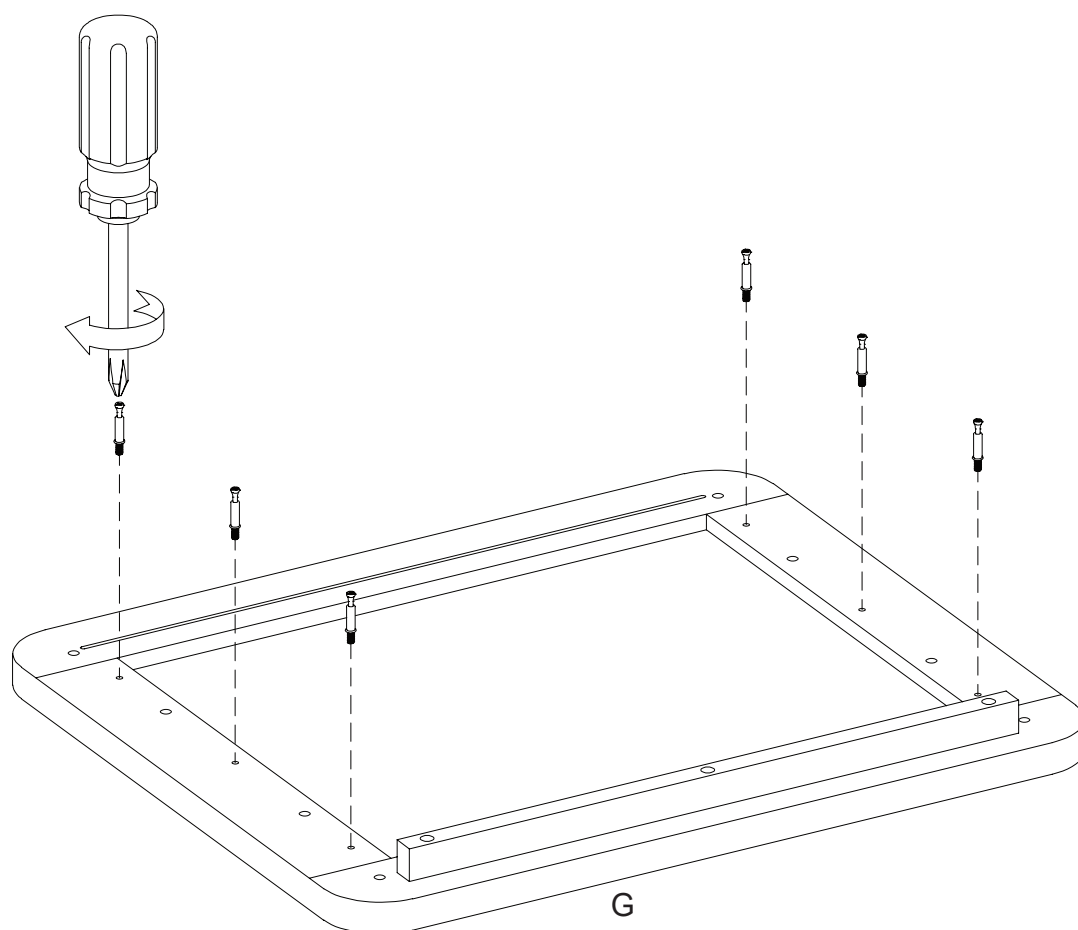
BB



[x3]

Step 12

Screw in the cam bolt (EE) into the pre-drilled holes in top panel (G).



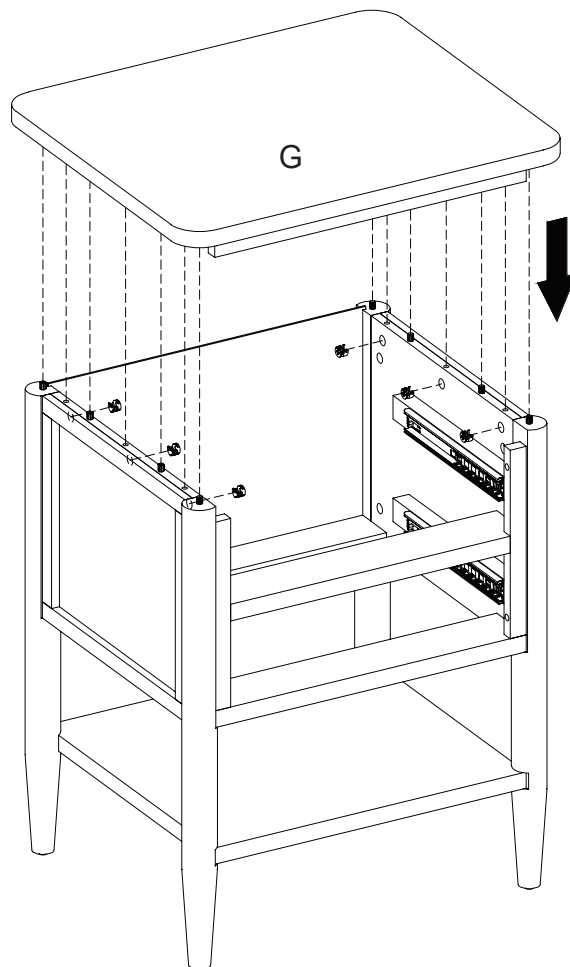
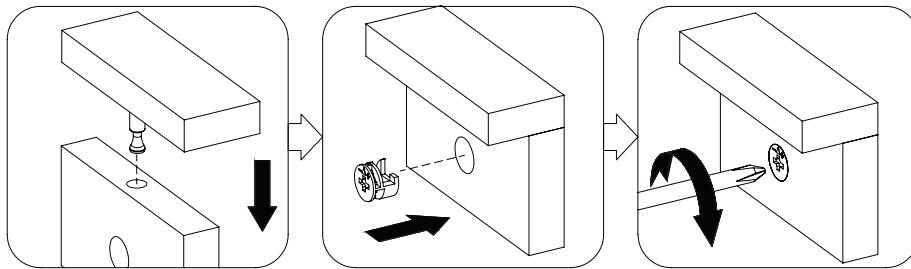
EE



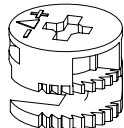
[x6]

Step 13

Attach the cam bolts in the top panel (G) to the pre-drilled holes in the assembled unit and then insert the cam locks (FF) into place as shown.



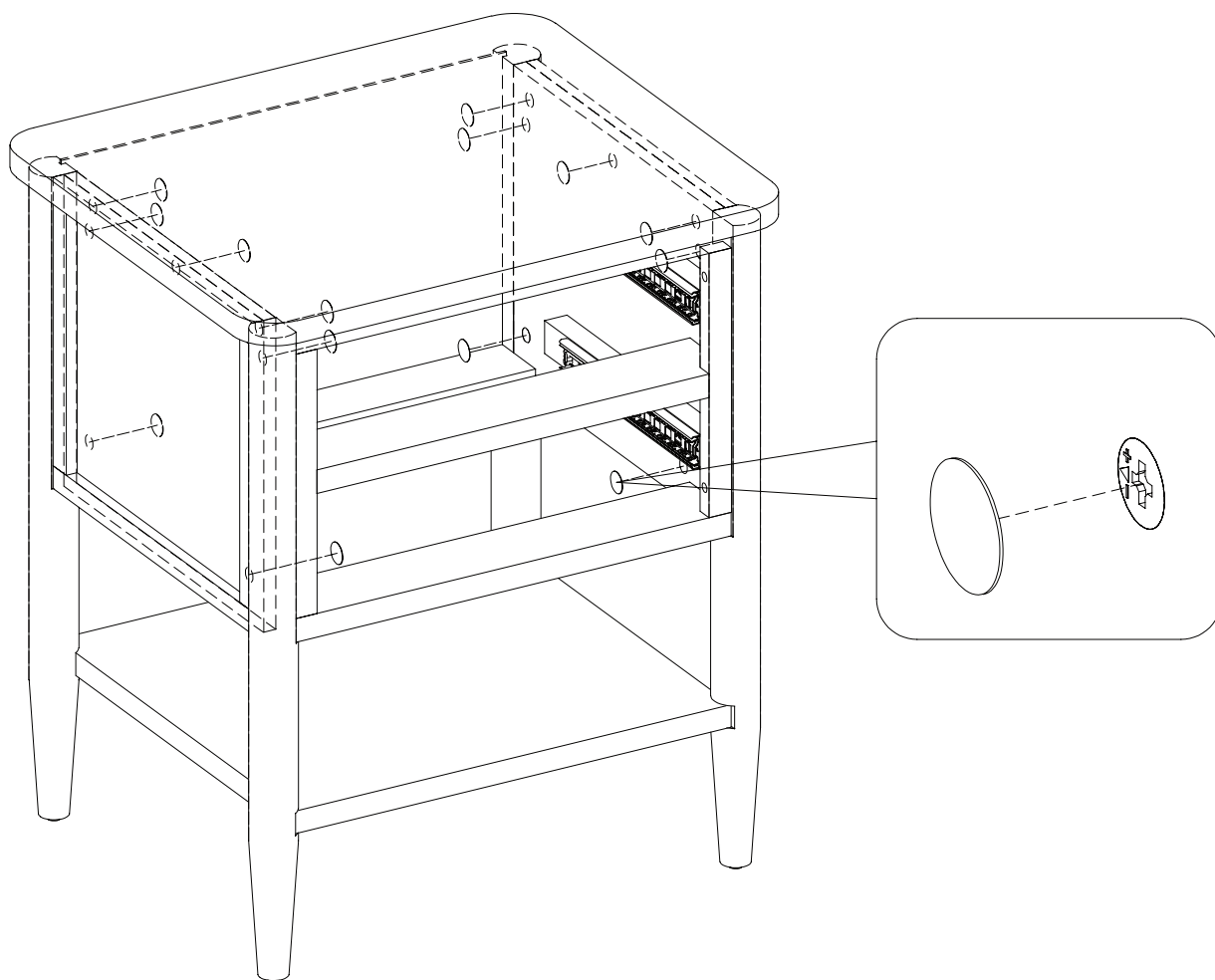
FF



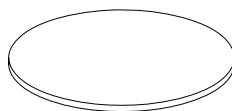
[x6]

Step 14

Place the covers (GG) over the cam locks.



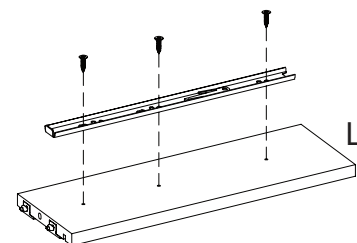
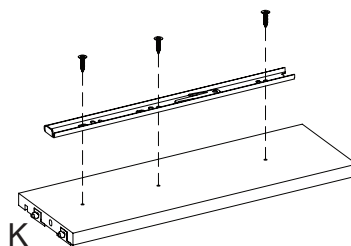
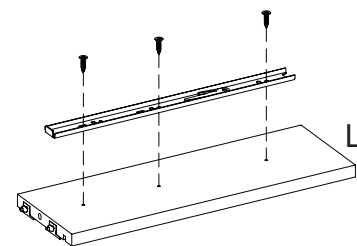
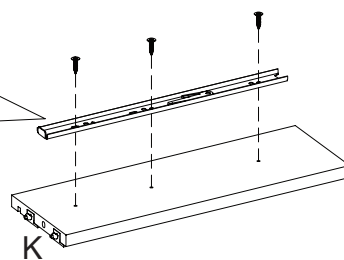
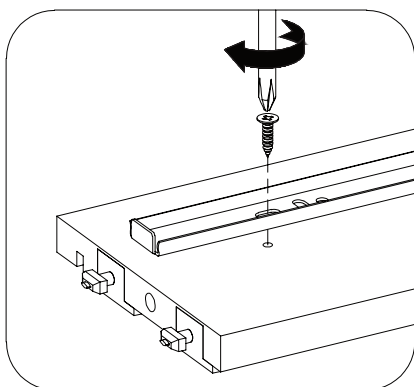
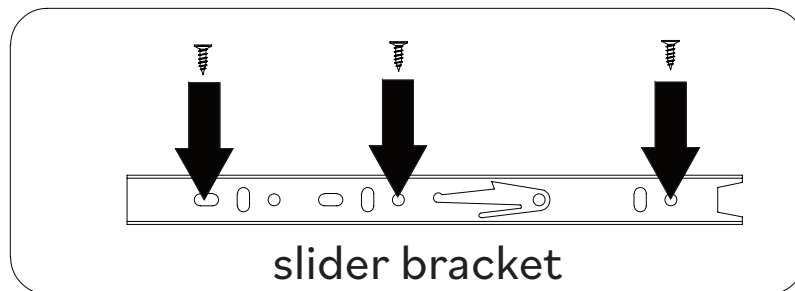
GG



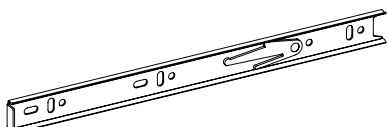
[x14]

Step 15

We're almost done! Now it's time to assemble the drawers. Attach the slider brackets (CC) into the drawer left panel (K) using screws (DD). Then repeat the same process with the drawer right panel (L).



CC



[x4]

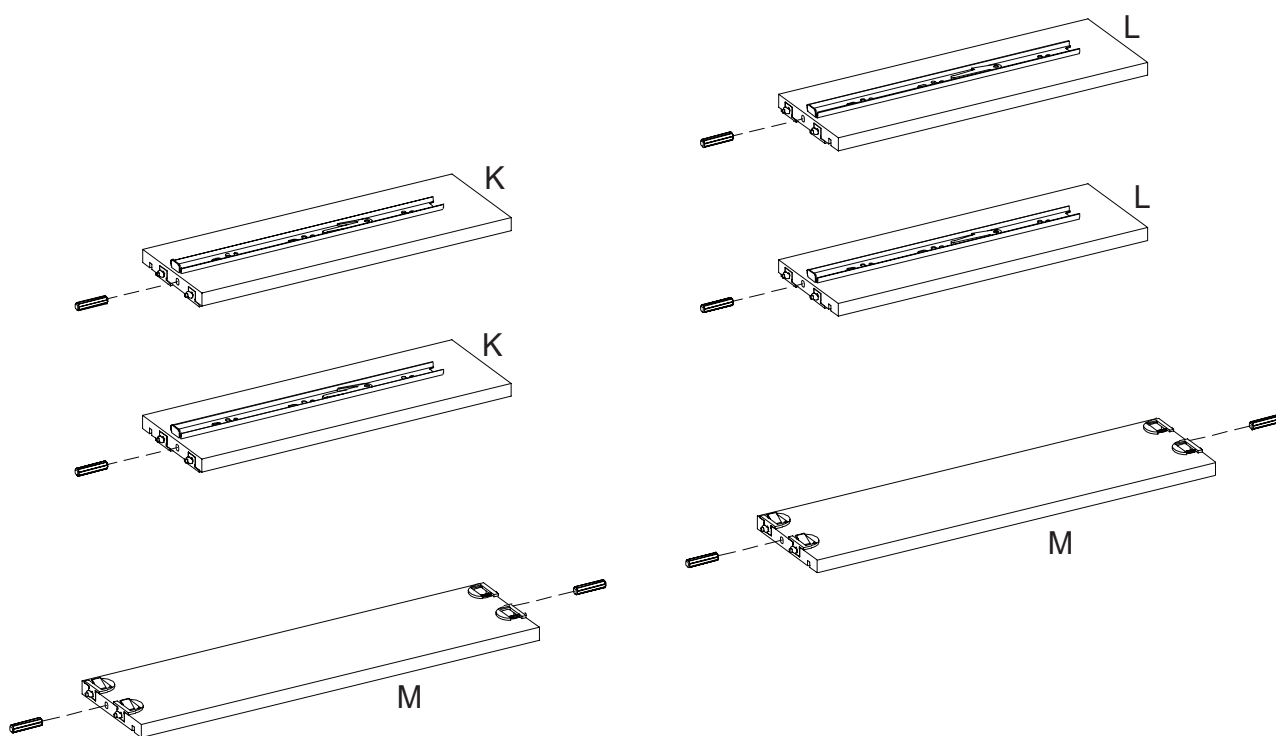
DD



[x12]

Step 16

Now, insert the wood dowels (HH) into the drawer left panel (K), the drawer right panel (L) and the drawer back panel (M).



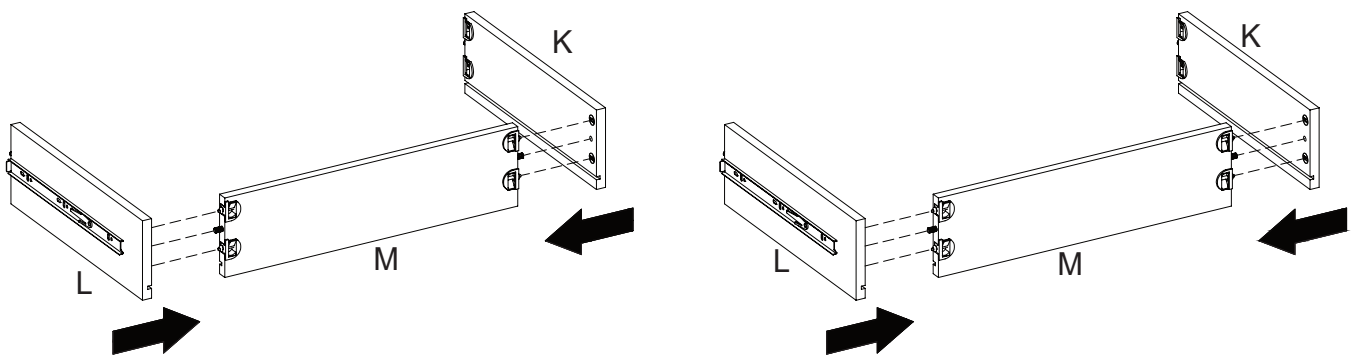
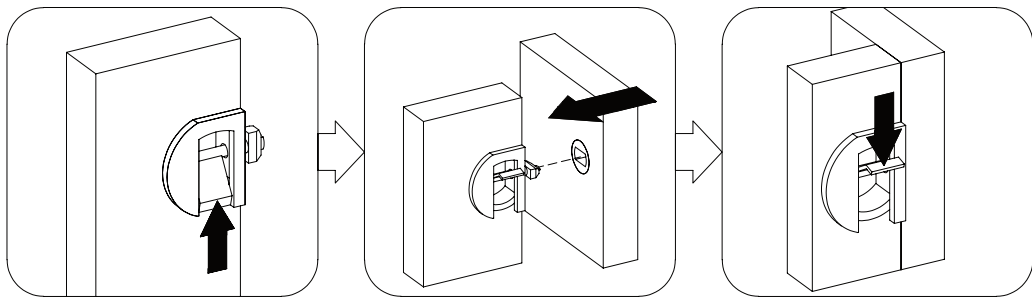
HH



[x8]

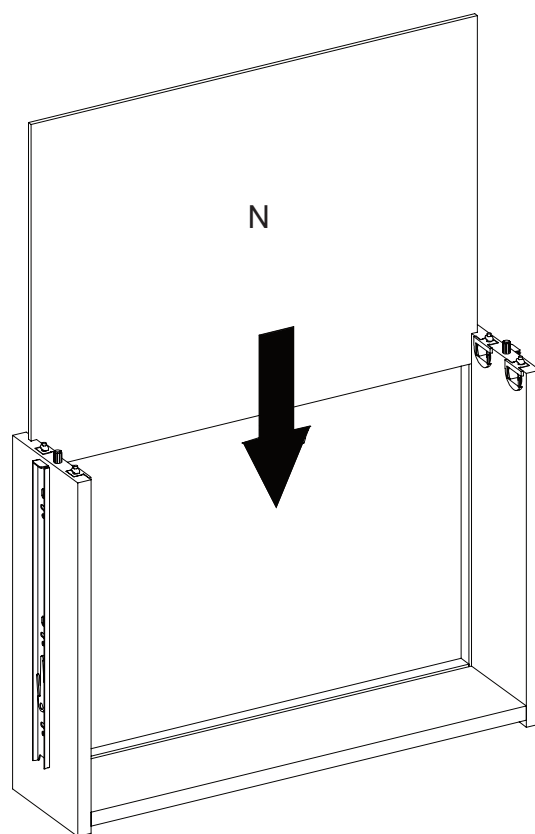
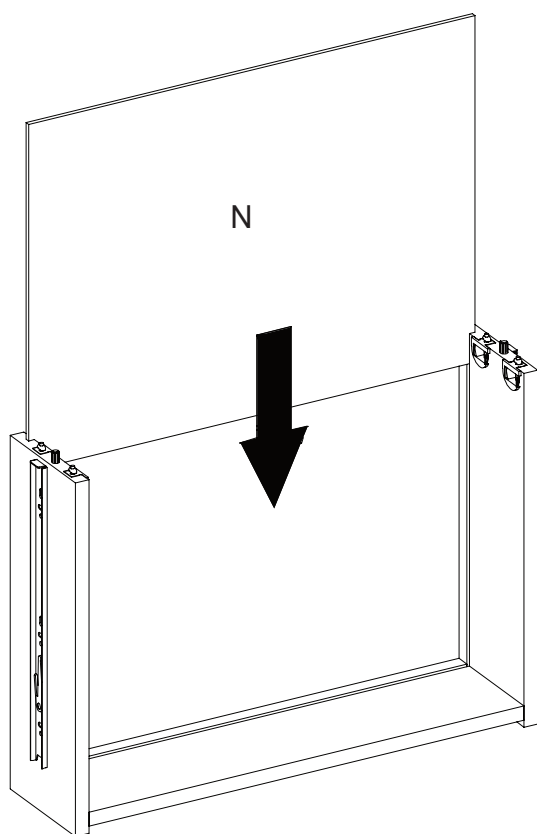
Step 17

Push up the tabs on the drawer back panel (M) before attaching the drawer right panel (L) into place. Then push the tab back down to secure it. Repeat this process with the drawer left panel (K). Good job! You assembled the first drawer. Please repeat this step for the other drawer.



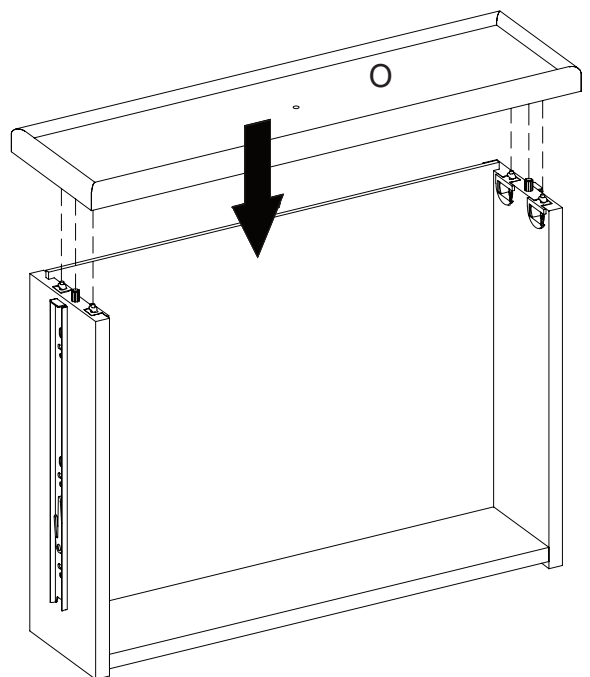
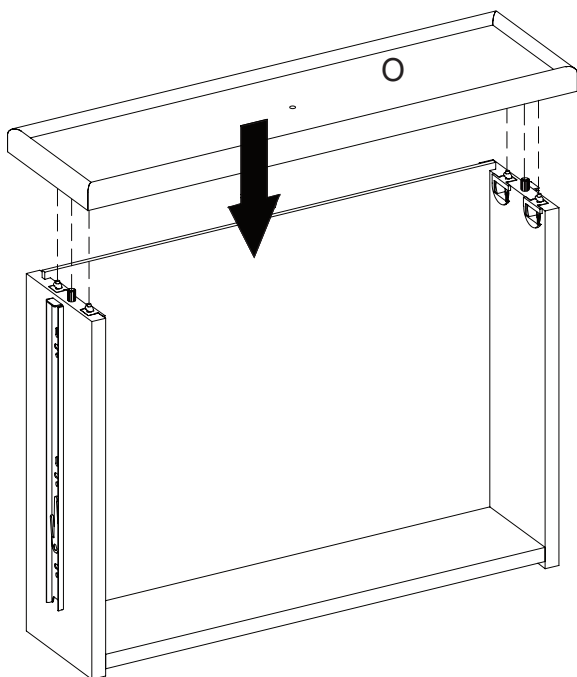
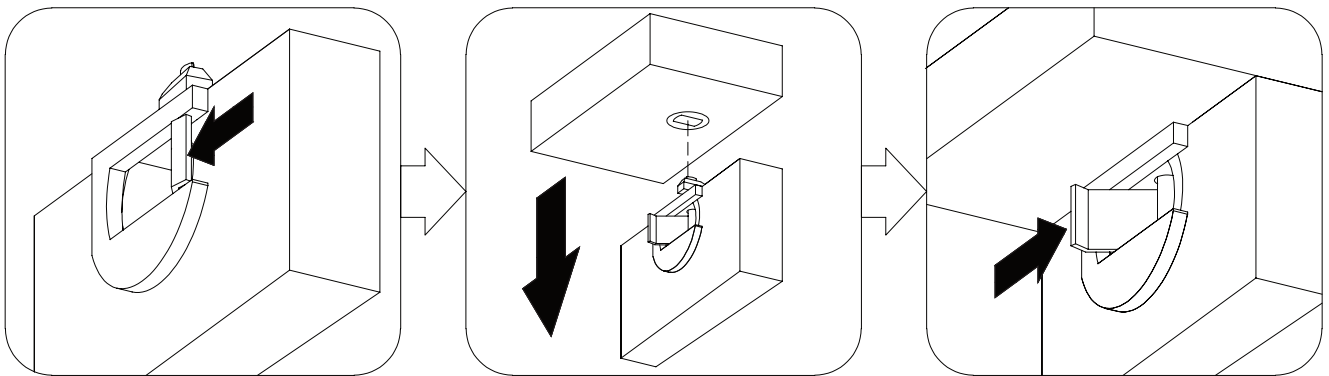
Step 18

Slide a drawer bottom panel (N) down into each of the drawers.



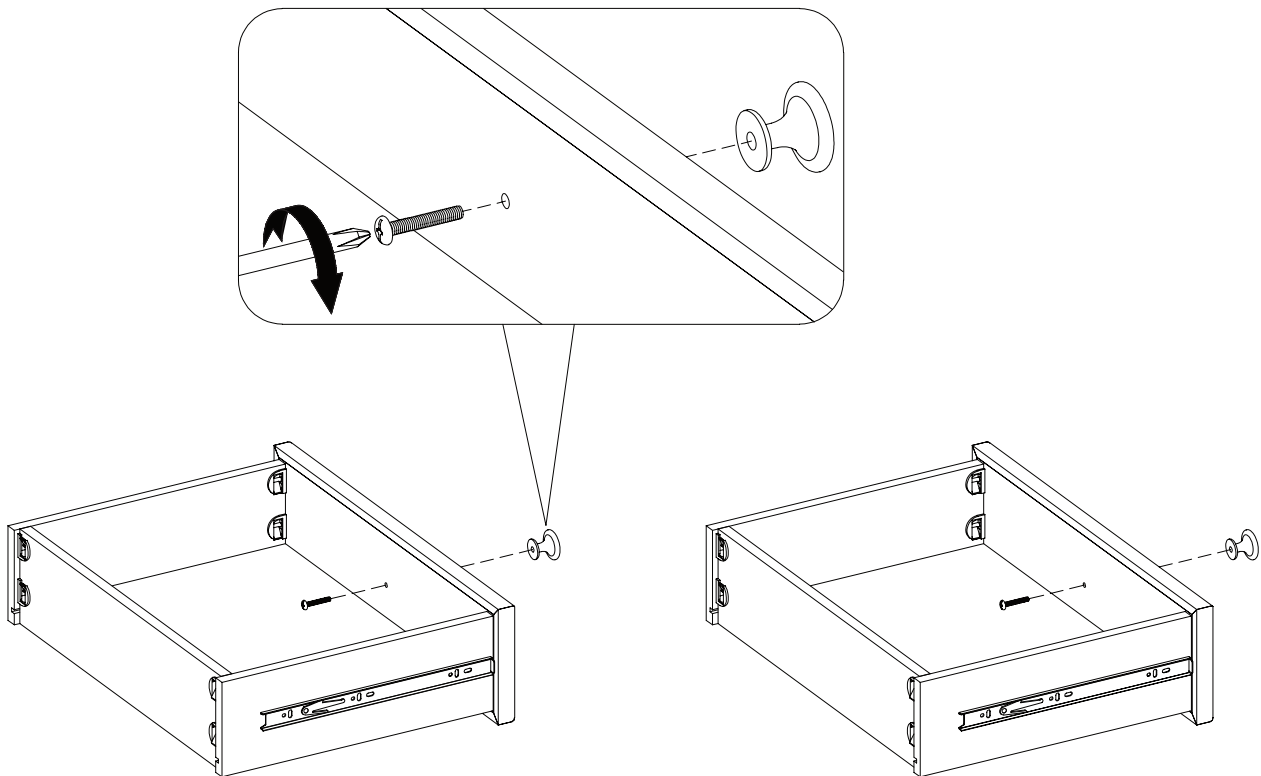
Step 19

Similar to step 17, push the tabs back before attaching the Drawer Face Panel (O) to the assembled drawer and then push the tab forward to secure it in place. Now repeat this step with the other drawer.

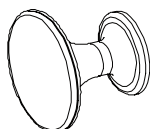


Step 20

Now let's attach the handles (II). Align the handle with the pre-drilled holes on the face drawer panel and use the screw to secure it in place. Please repeat this process with the other drawer.



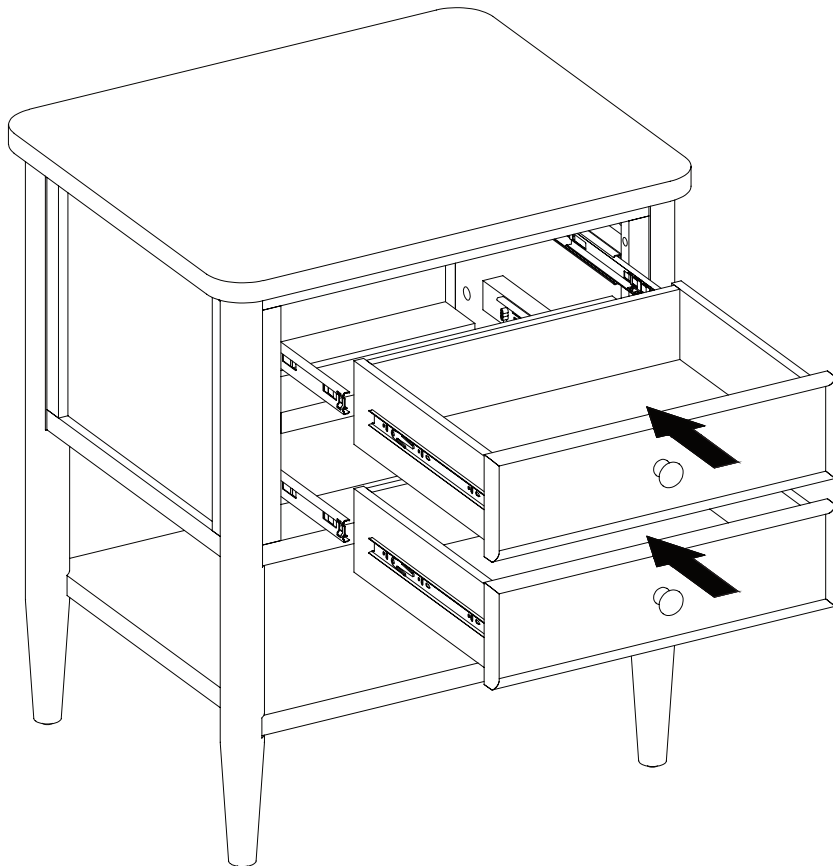
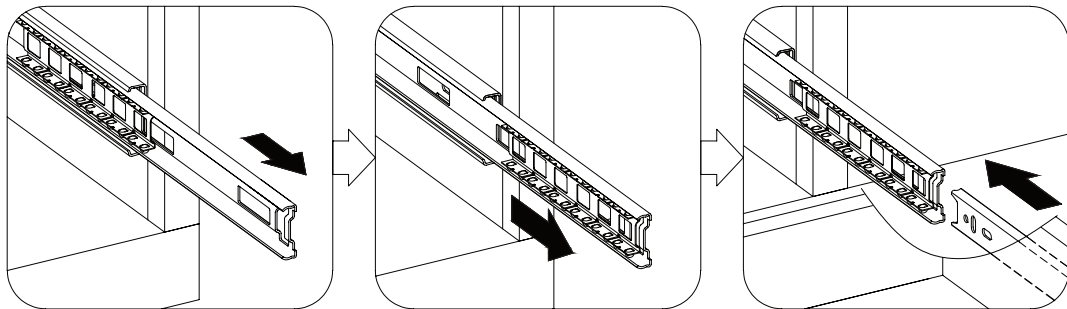
II



[x2]

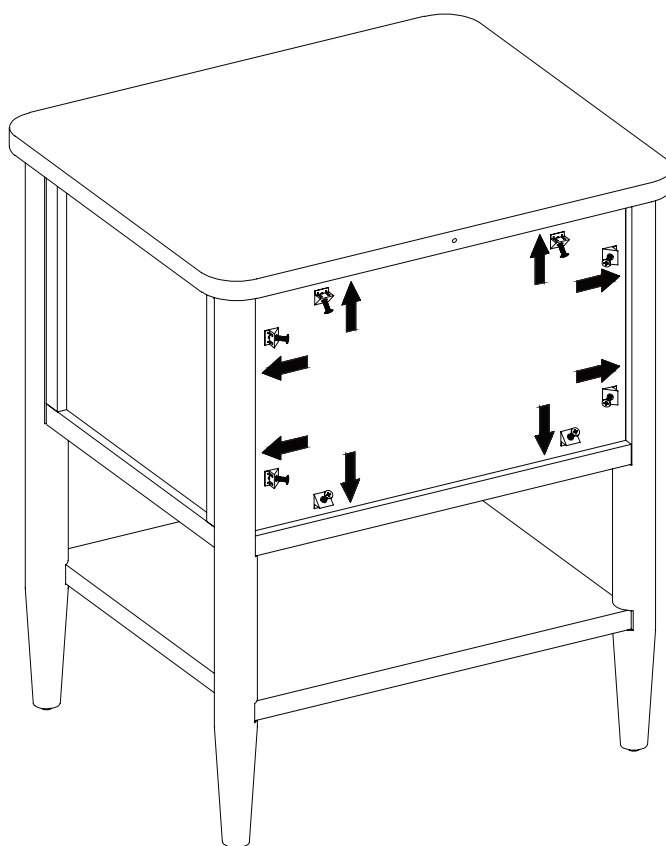
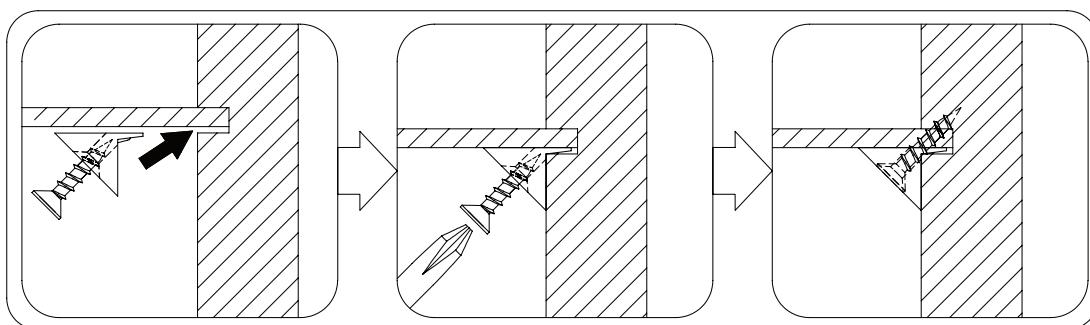
Step 21

Align the rails together as shown in the image and glide the drawers into the unit.

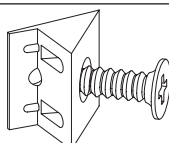


Step 22

Place the back panel bracket (JJ) between the back panels and the grooves of the assembly as shown. Fasten each back panel bracket (JJ) using pre-attached screws.



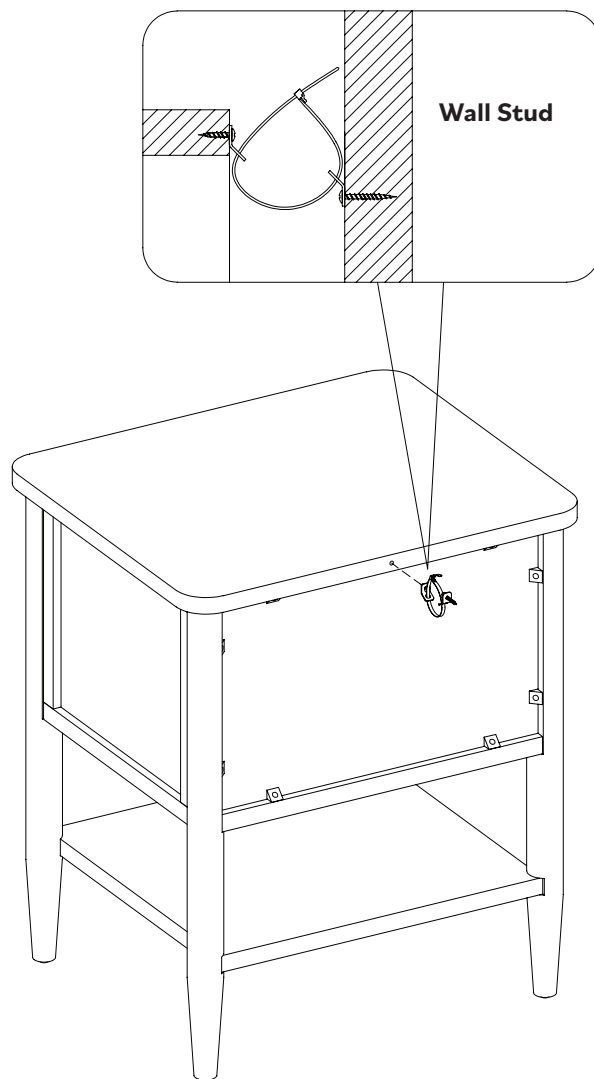
JJ



[x8]

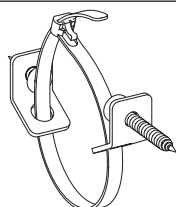
Step 23

Last step! Attach the tip-restraint hardware (KK) to the back of unit.



Warning: You must install the tip restraint hardware to help prevent any accidents or damage to the unit. We strongly recommend attaching the tip restraint hardware to a wall stud and your unit. For all other wall types, please visit your local hardware store to obtain the proper hardware.

KK



[x1]

Final Assembly



Congratulations on your new piece of furniture!

We would love to hear about it and see it.
Please leave us a review or post a picture with
#mywalkeredisonhome

Assembling furniture can be tricky sometimes.

Our customer service team, located in Utah, is here for product information, help assembling a product, or for any other customer support issue

Call us at **801-433-3008**

Email us at service@walkeredison.com

Visit our Customer Service website at walkeredison.com/pages/customer-service

We are available to help Monday -Thursday 8am-5pm, Friday 8am-3pm MST

For details on Assembly Videos, Assembly Instructions, Replacement Parts, and Customer service,

SCAN HERE

