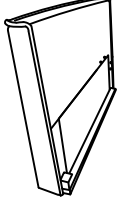
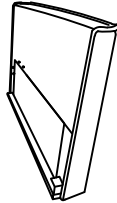
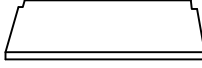
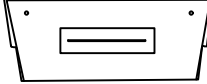
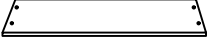
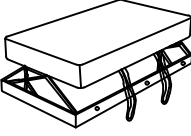
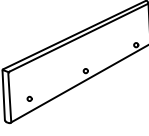
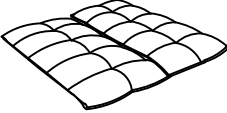
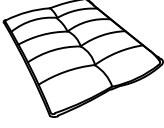

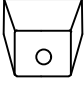
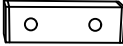
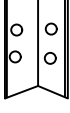

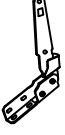




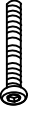
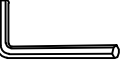




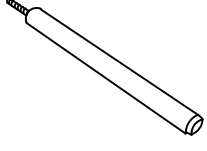
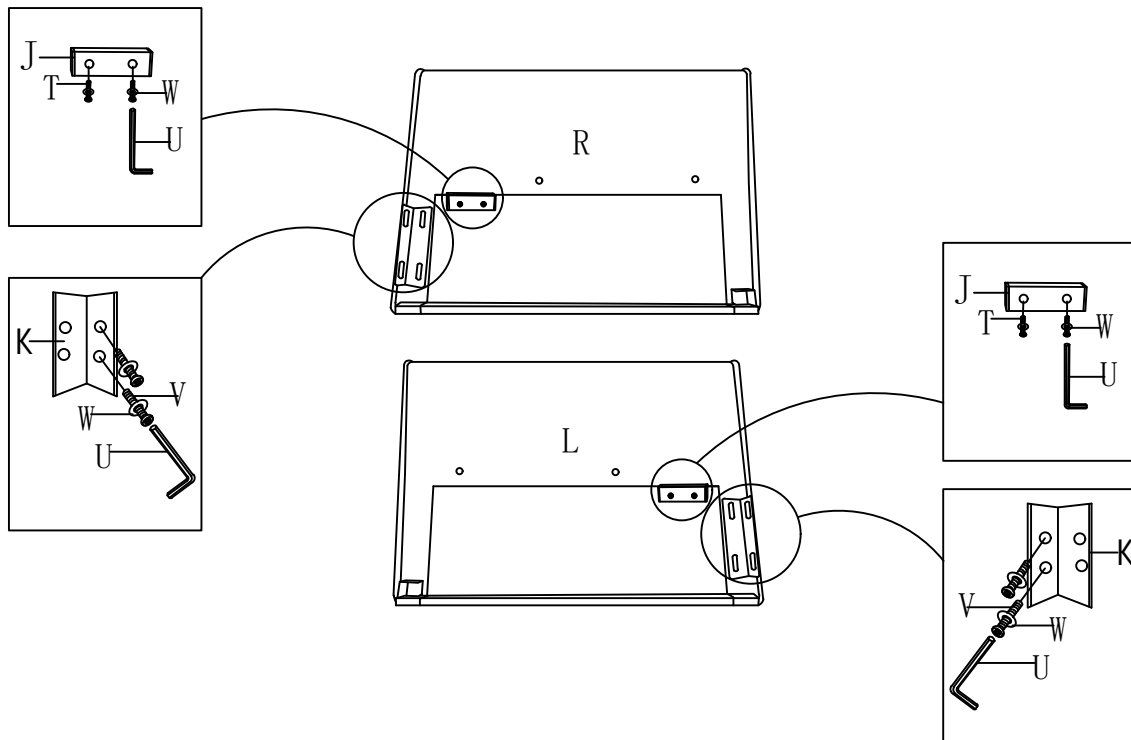


Installation & Assembly

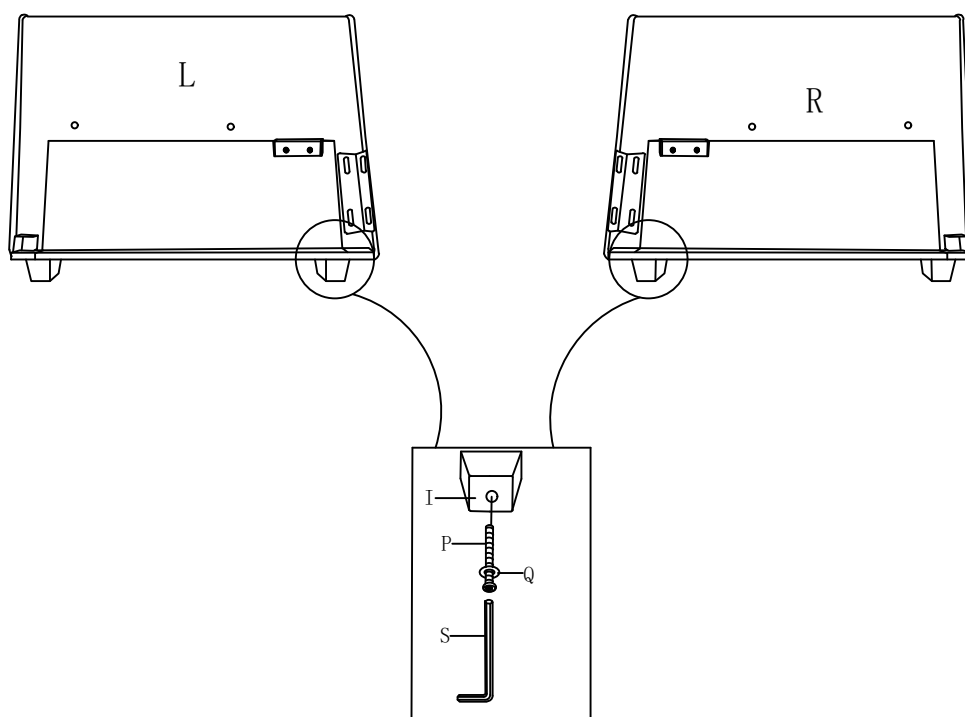
Accessories list (sitting sofa)

<p>R</p>  <p>Right armrest(1)</p>	<p>L</p>  <p>Left armrest(1)</p>	<p>A</p>  <p>Thwart(1)</p>	<p>B</p>  <p>Backrest(1)</p>	<p>C</p>  <p>Rear panel of seat frame(1)</p>	
<p>D</p>  <p>lift up sofa frame(1)</p>	<p>E</p>  <p>Front panel (1)</p>	<p>F</p>  <p>Sofa cushion (back and seat) (1)</p>	<p>G</p>  <p>Pull out bed cushion(1)</p>	<p>H</p>  <p>Pillow(2)</p>	
<p>I</p>  <p>Sofa leg(4)</p>	<p>J</p>  <p>Square hardware(2)</p>	<p>K</p>  <p>Bracket (2)</p>	<p>M</p>  <p>Roller(4)</p>	<p>N</p>  <p>Hardware hinge(1)</p>	
<p>O</p>  <p>Hardware hinge(1)</p>	<p>P</p>  <p>8*60 Screw(4)</p>	<p>Q</p>  <p>8*15 Gasket (4)</p>	<p>S</p>  <p>M5*105*55 Wrench(1)</p>	<p>T</p>  <p>6*40 Screw (7)</p>	
<p>U</p>  <p>M4*100*30 Wrench(1)</p>	<p>V</p>  <p>6*18 Screw(20)</p>	<p>W</p>  <p>6*16 Gasket (27)</p>	<p>X</p>  <p>8*100 Screw(4)</p>	<p>Y</p>  <p>8*17 Gasket (4)</p>	<p>Z</p>  <p>Backrest sofa legs(2)</p>

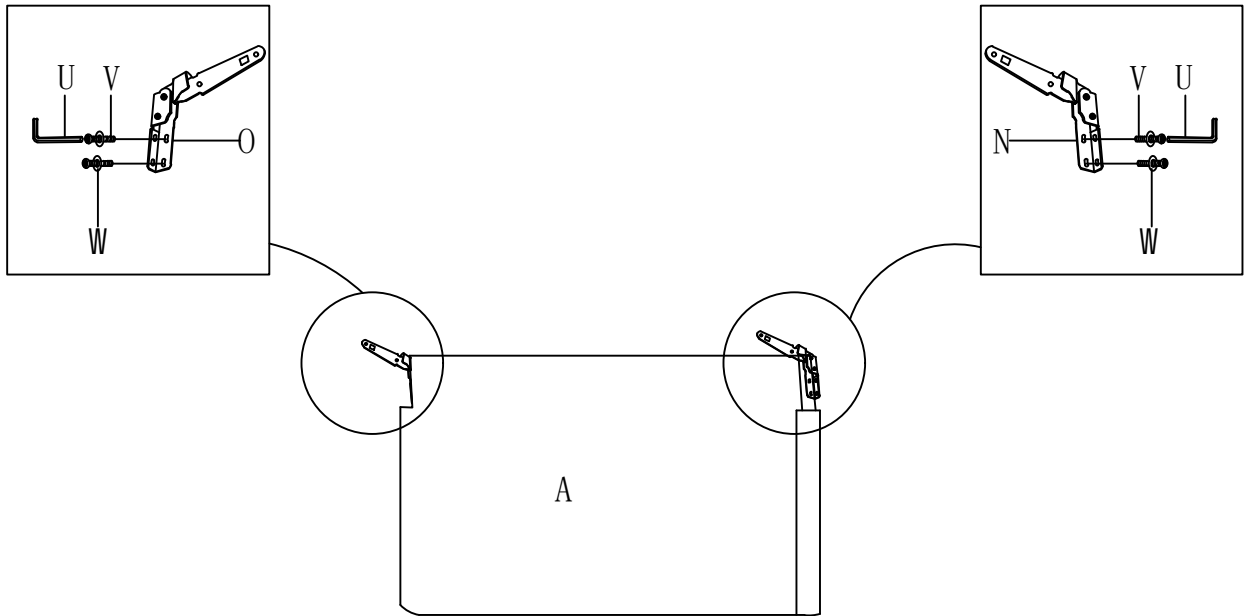
STEP1: Install hardware for handrails



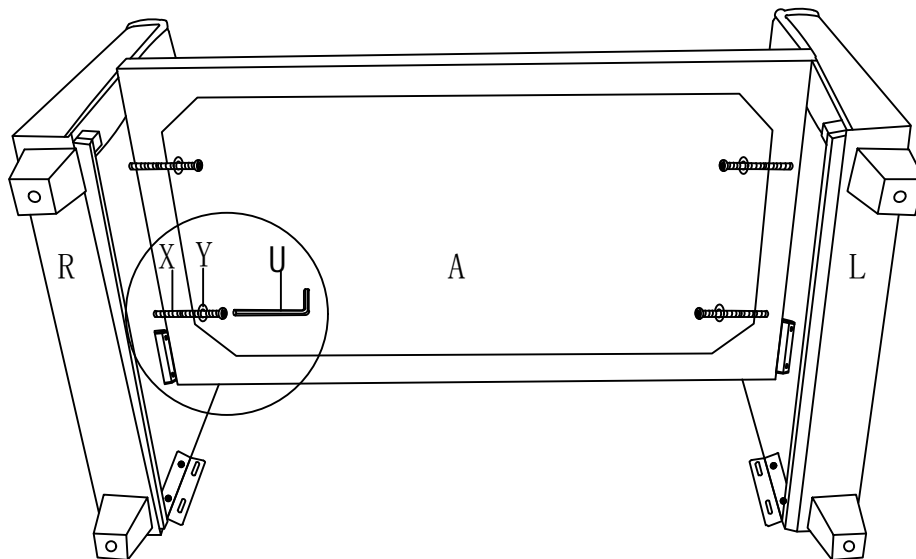
STEP2: Install the legs to the right seat armrest and left seat armrest



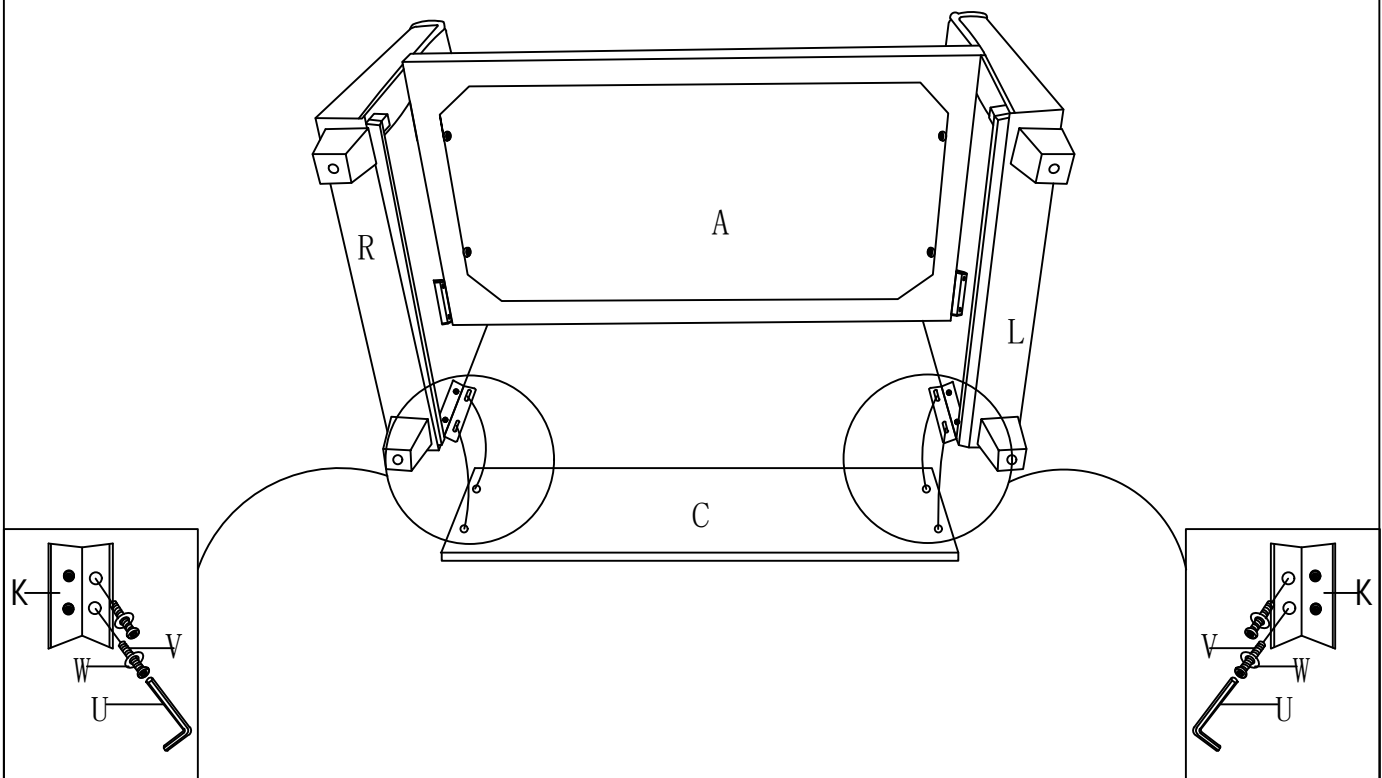
STEP3: Install the hardware hinge for the thwart



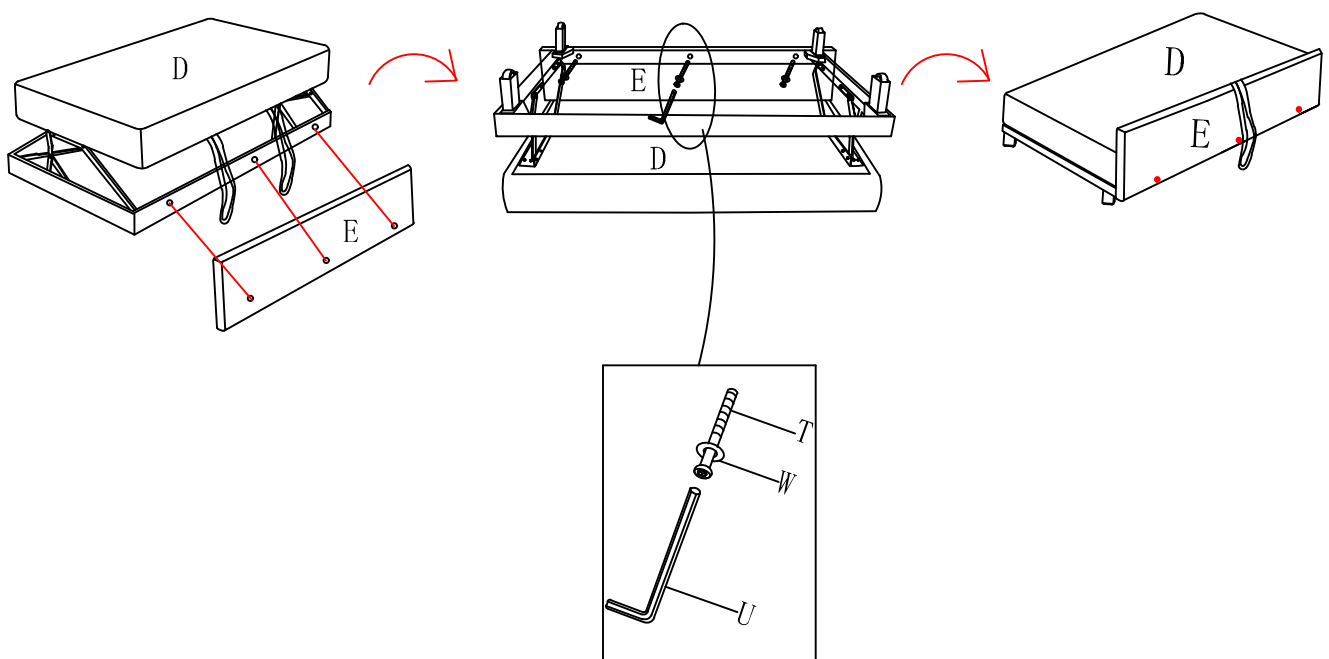
STEP4: Connect the armrest and seat panel



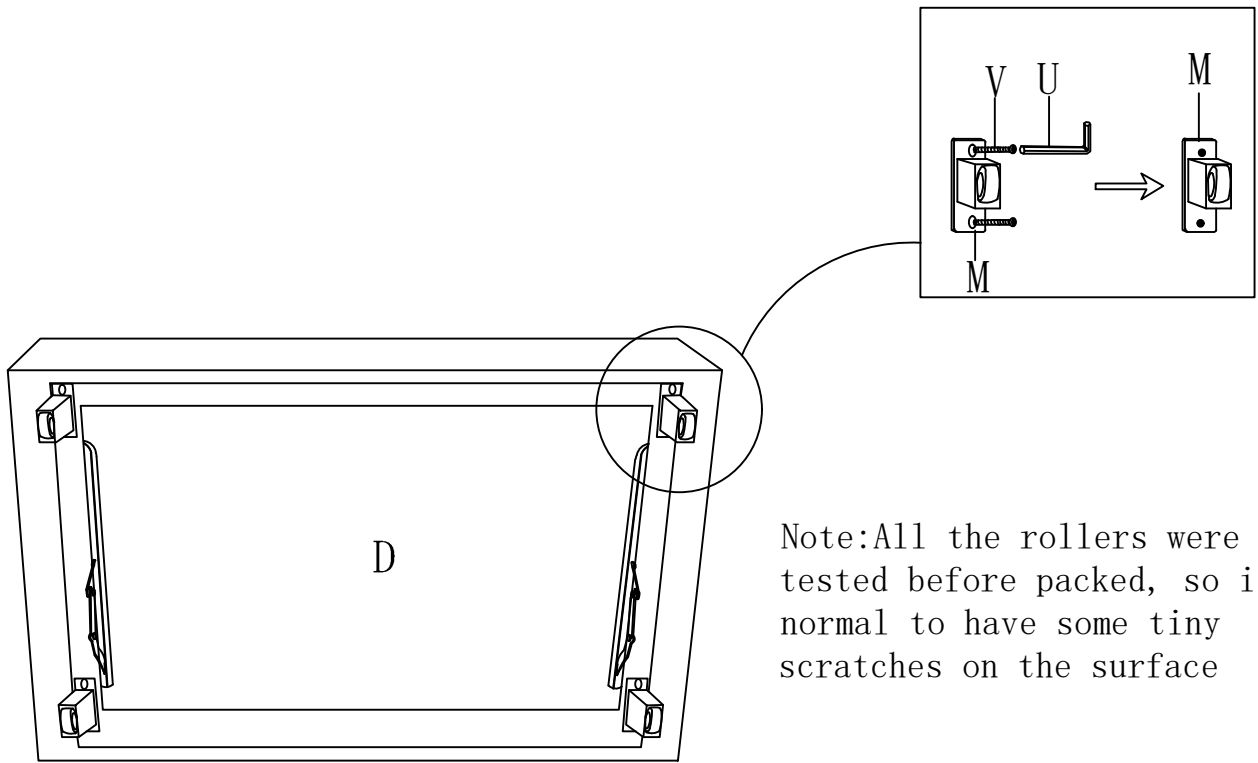
STEP5: Connect the armrest to the rear panel of the seat frame



STEP6: Turn lift up sofa frame upside down, fix head panel to by using longer screw .
Pay attention to the holes on board to ensure the right assembly

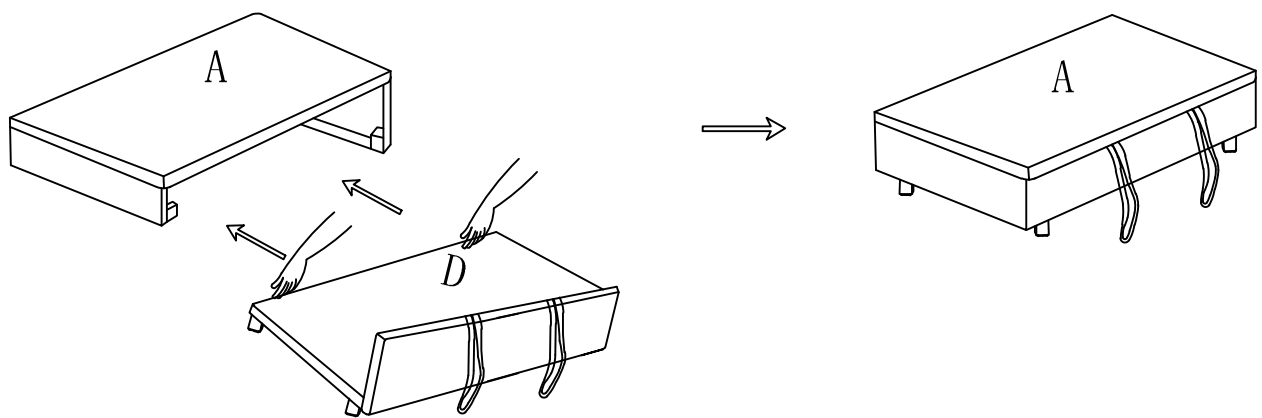


STEP7: Turn over the lift up sofa frame and install the roller

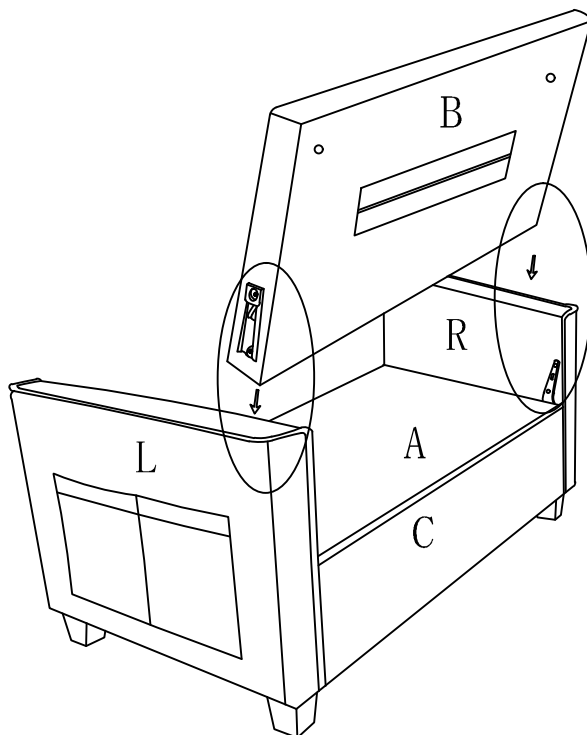


Note: All the rollers were tested before packed, so it's normal to have some tiny scratches on the surface

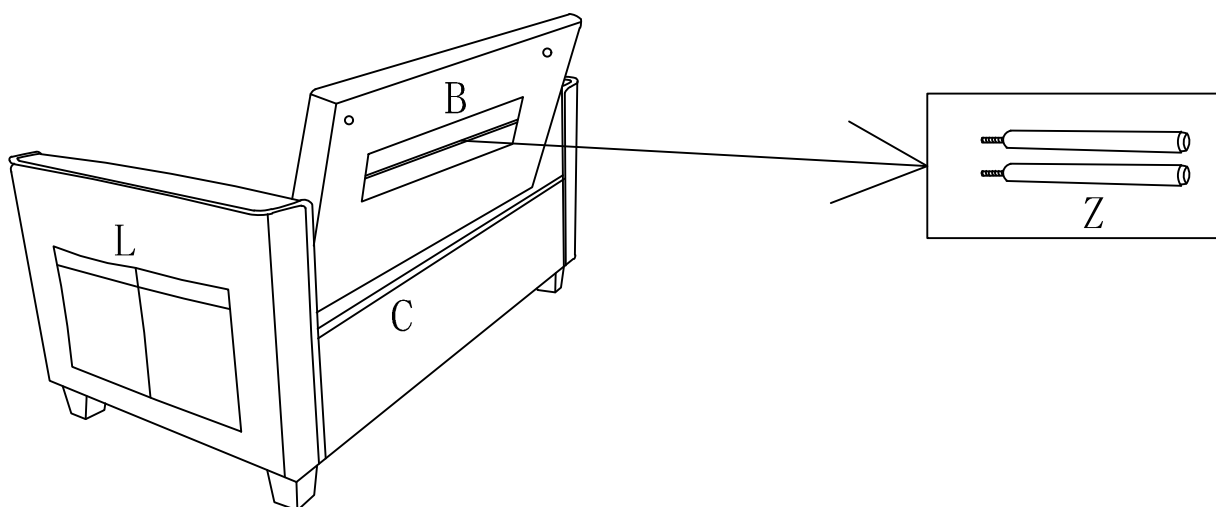
STEP8: Lift from sides and push it into the space under



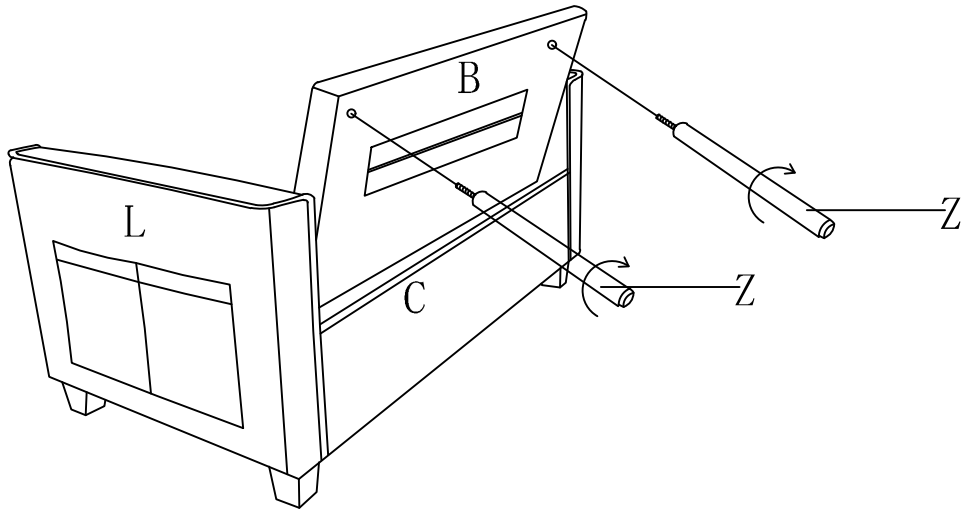
STEP9: Insert the backrest into the sofa base



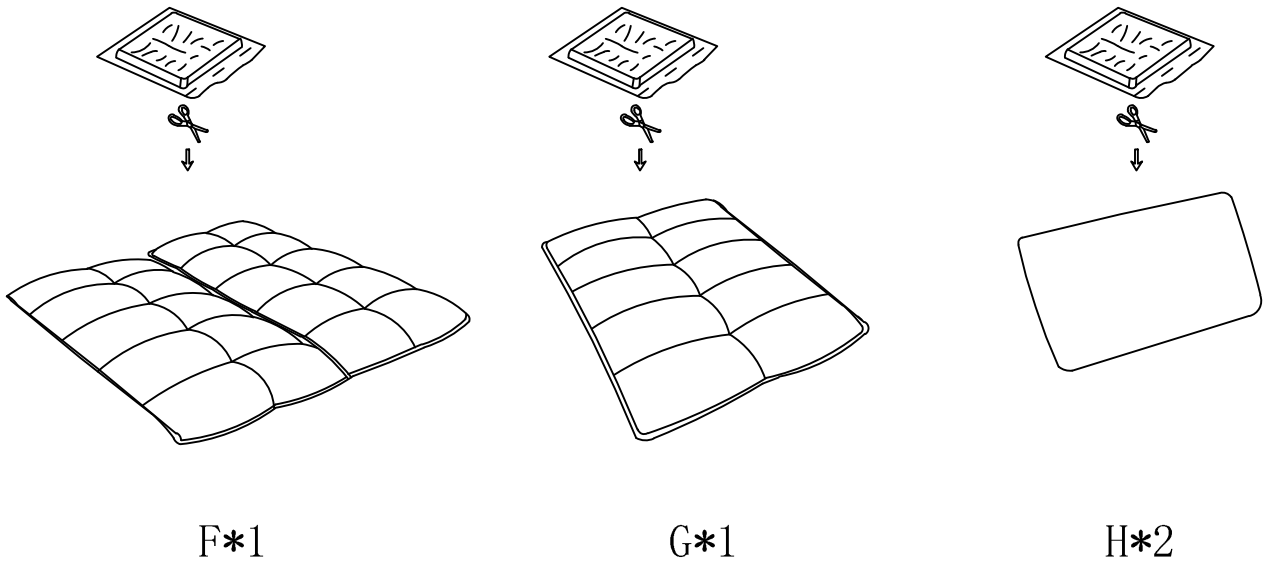
STEP10: Take out support legs from sofa back pocket as picture showed



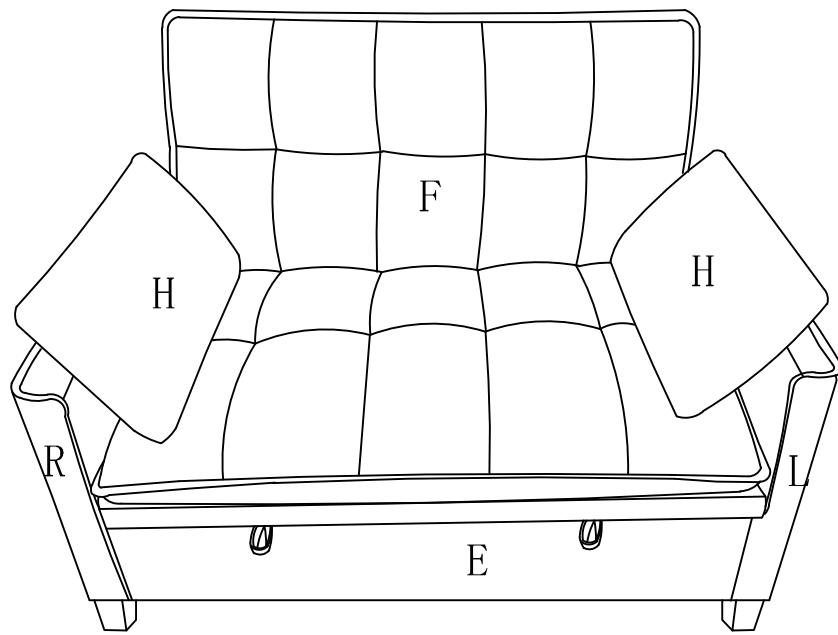
STEP11: Install the backrest sofa legs



STEP12: Cut the compression bags



STEP13: Assembly completed



STEP14: Pull out sofa bed

