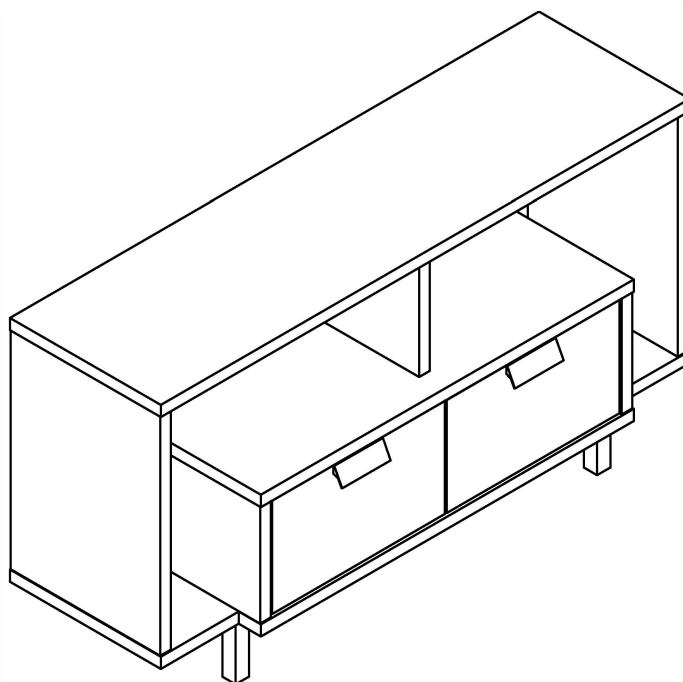


ASSEMBLY INSTRUCTIONS



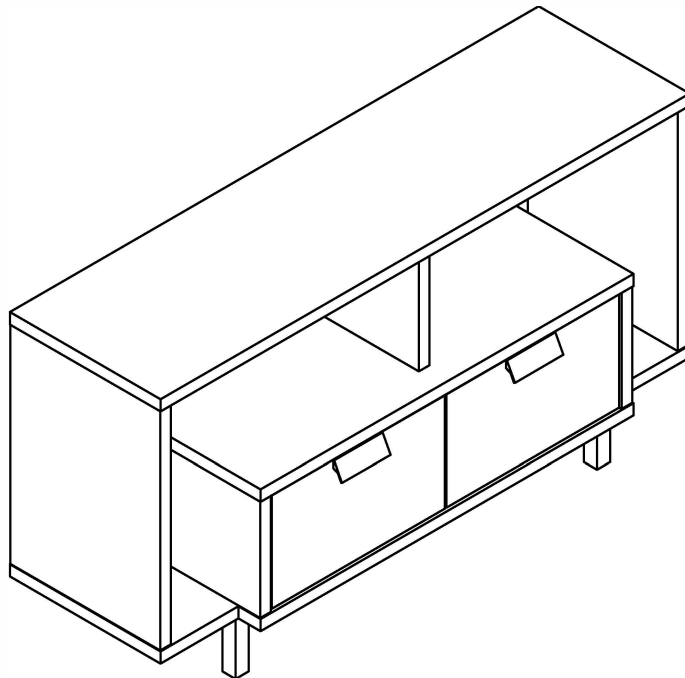
ASSEMBLY INSTRUCTIONS

PLEASE READ BEFORE ASSEMBLING!

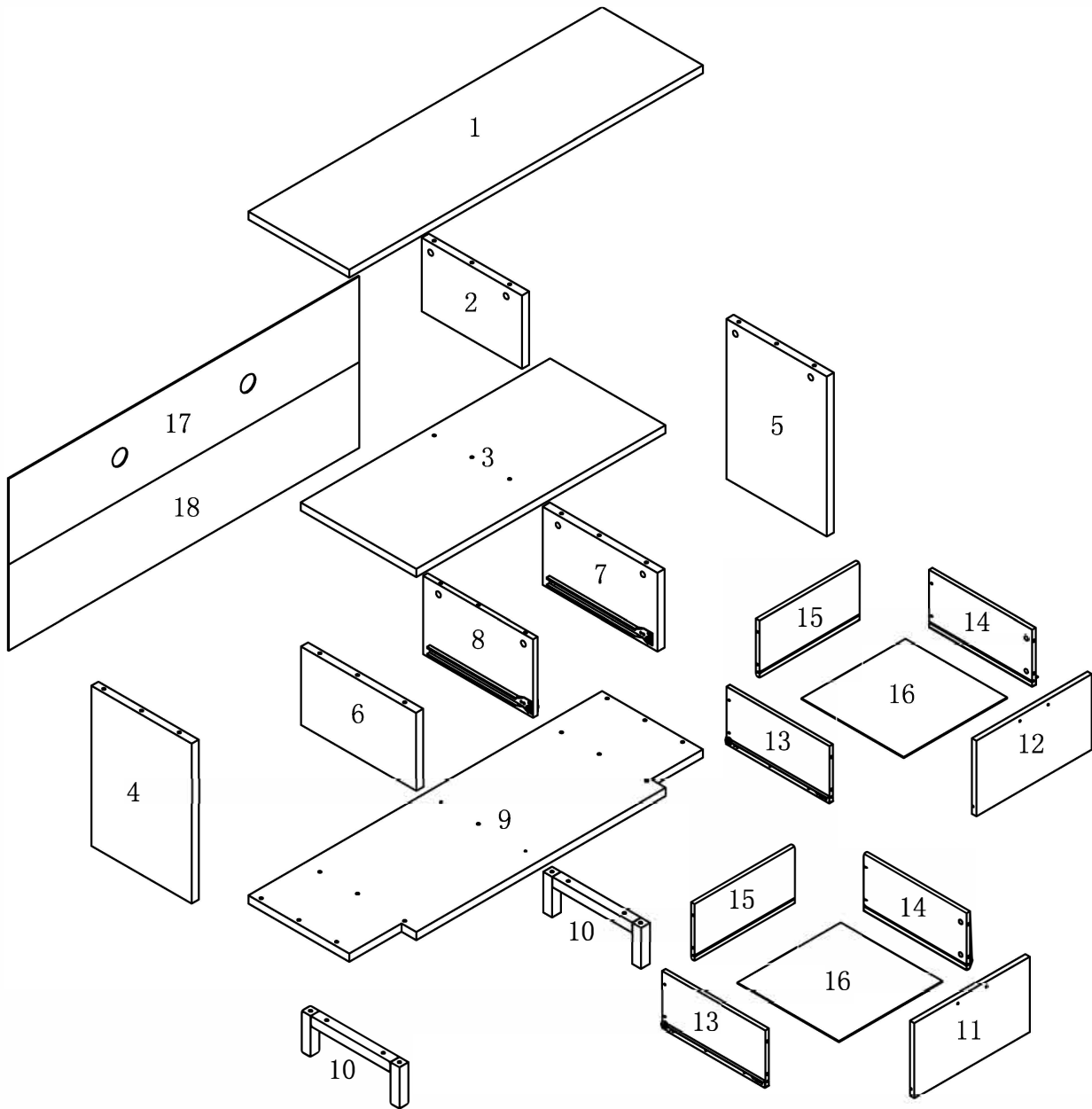
Tip #1: Make sure you've taken all the pieces and hardware out of its packaging before discarding the box.

Tip #2: Using page 2 and/or page 3 of instruction manual make sure all pieces and hardware are accounted for.

Tip #3: Read manual before assembling, it helps!











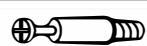








PARTS IDENTIFICATION

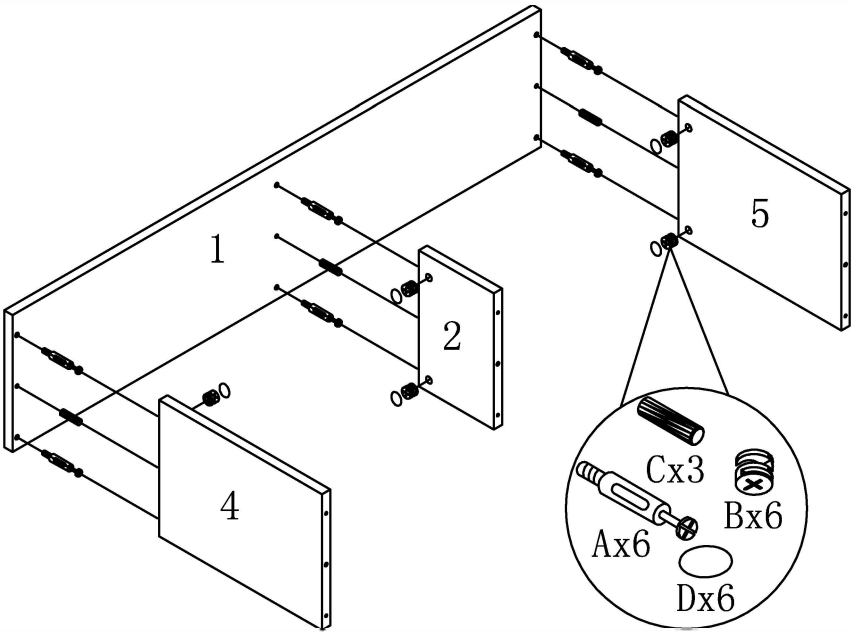


| | | | | | |
|-----|-----|------|------|------|------|
| (1) | 1pc | (8) | 1pc | (15) | 2pcs |
| (2) | 1pc | (9) | 1pc | (16) | 2pcs |
| (3) | 1pc | (10) | 2pcs | (17) | 1pc |
| (4) | 1pc | (11) | 1pc | (18) | 1pc |
| (5) | 1pc | (12) | 1pc | | |
| (6) | 1pc | (13) | 2pcs | | |
| (7) | 1pc | (14) | 2pcs | | |

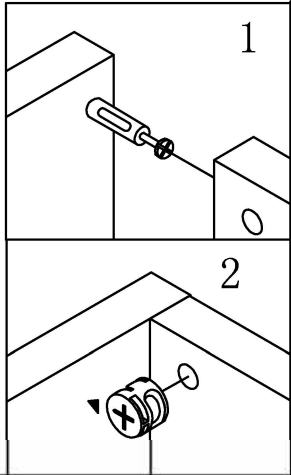
HARDWARE IDENTIFICATION

| | | | |
|---|---|--|-------|
| A |  | L29 | 12pcs |
| B |  | ø 15 | 12pcs |
| C |  | ø 8x25 | 16pcs |
| D |  | ø 22 | 6pcs |
| E |  | ø 7x48 | 10pcs |
| F |  | ø 8xø 16x2 | 14pcs |
| G |  | ø 16 | 4pcs |
| H |  | M6x40 | 4pcs |
| I |  | | 40pcs |
| J |  | ø 4x30 | 8pcs |
| K |  | L20 | 8pcs |
| L |  | ø 12 | 8pcs |
| M |  | 96# | 2pcs |
| N |  | ø 4x20 | 4pcs |
| O |  | M4 | 1pc |
| P |  | ø 4x40 | 2pcs |
| Q |  | Glue: For securing please apply to wood dowel first before inserting into panel | 1pc |

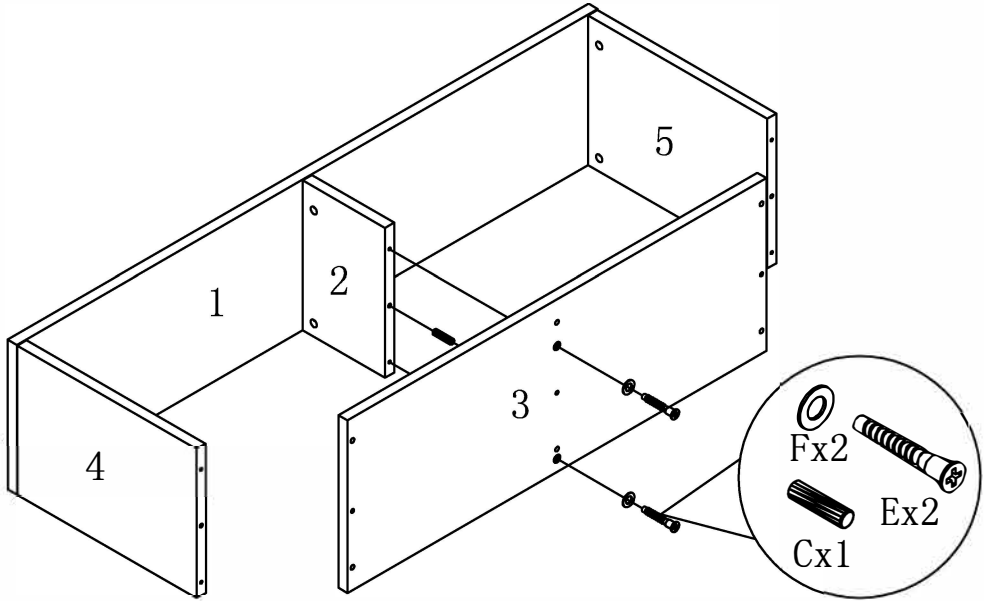
ASSEMBLY INSTRUCTIONS



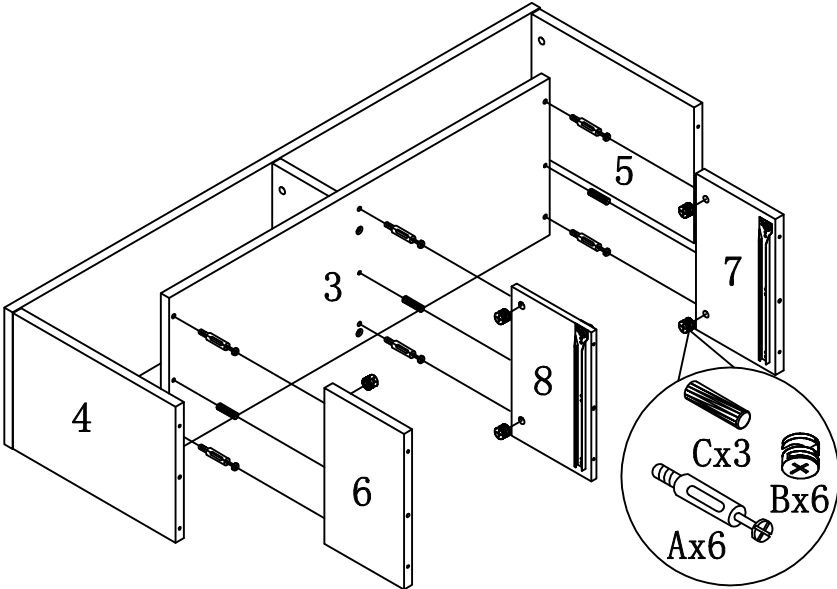
STEP 1



STEP 2

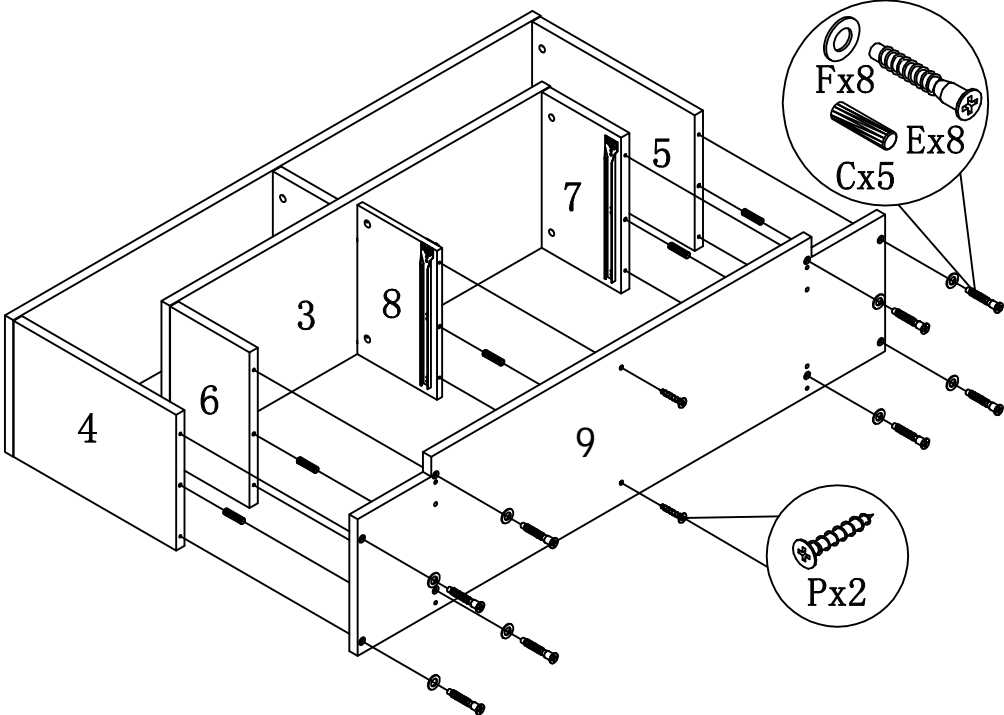


Assembly Instructions

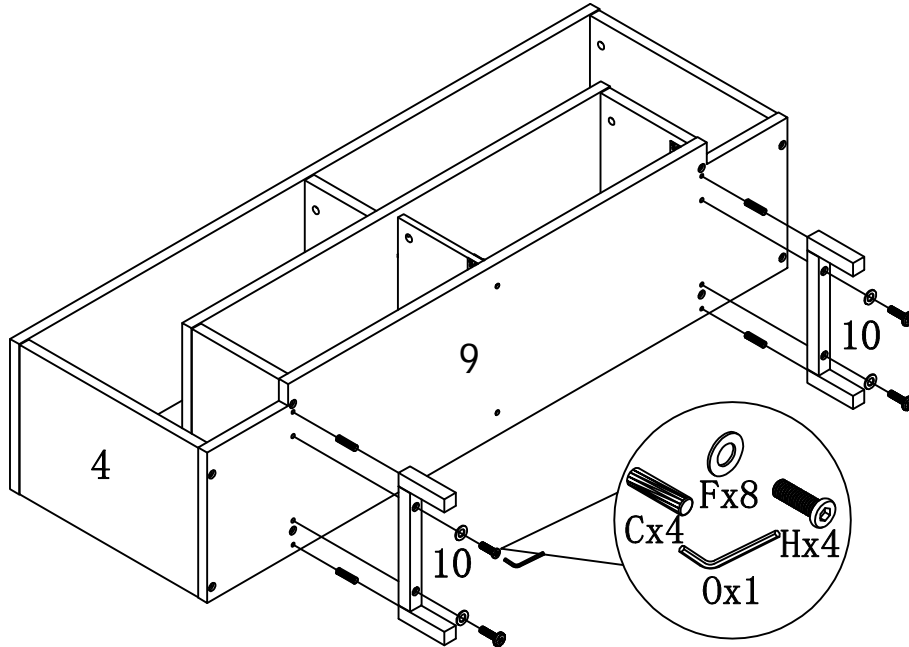


STEP3

STEP4

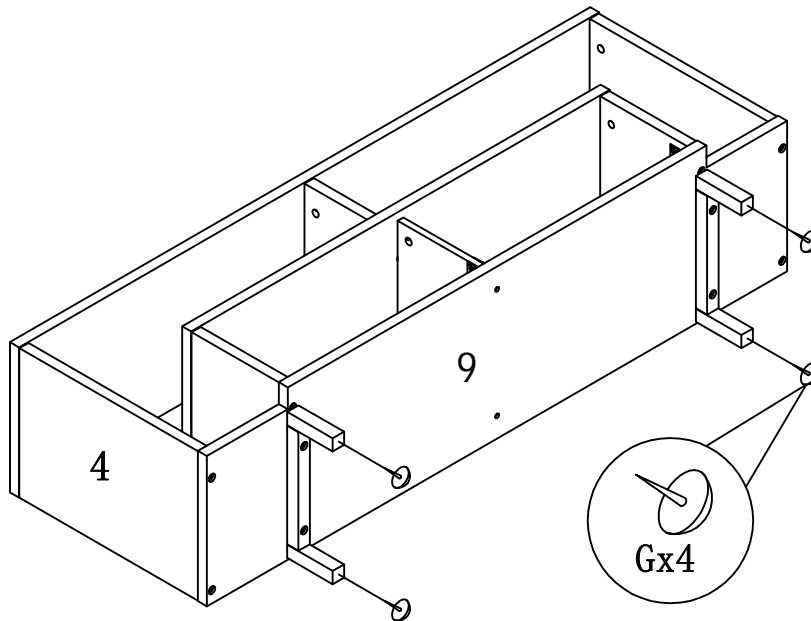


Assembly Instructions

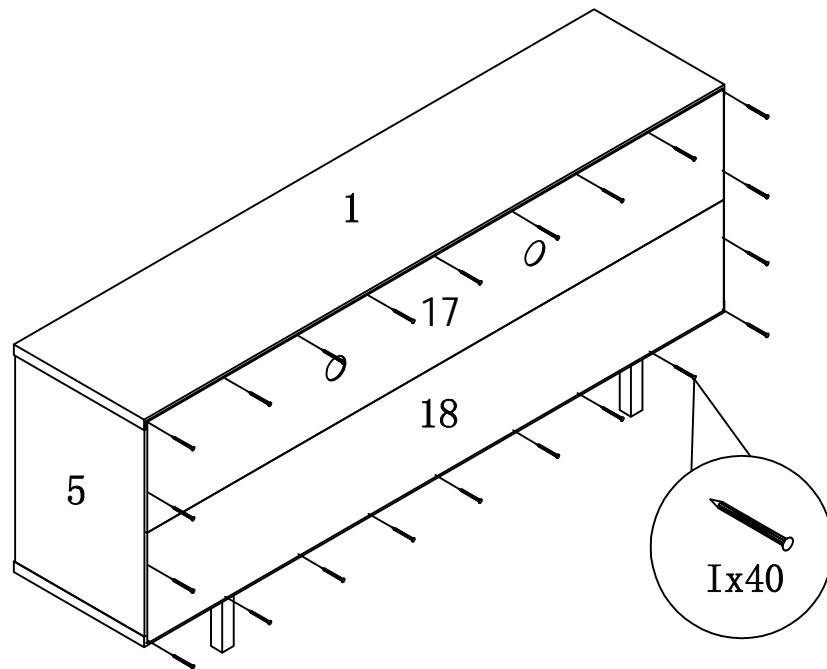


STEP5

STEP6

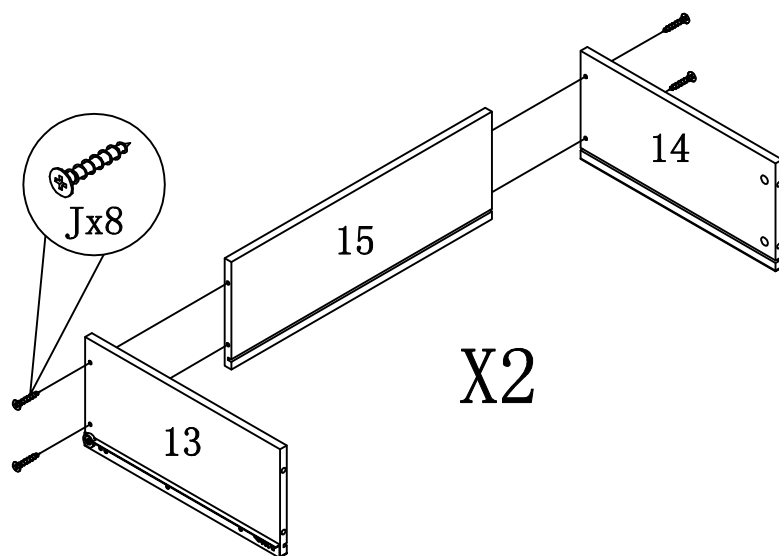


Assembly Instructions

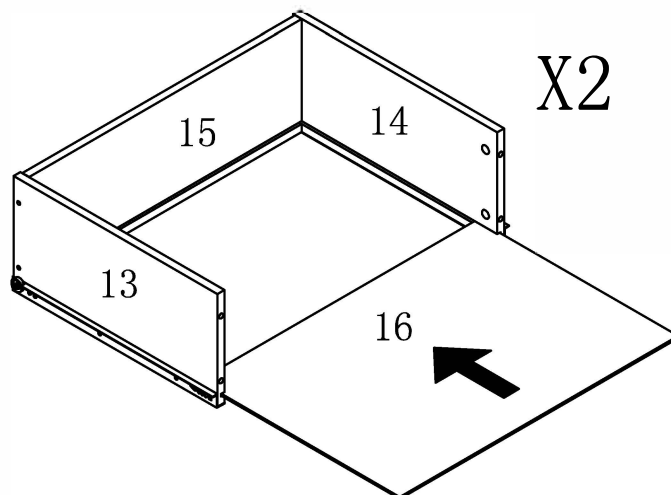


STEP 7

STEP 8

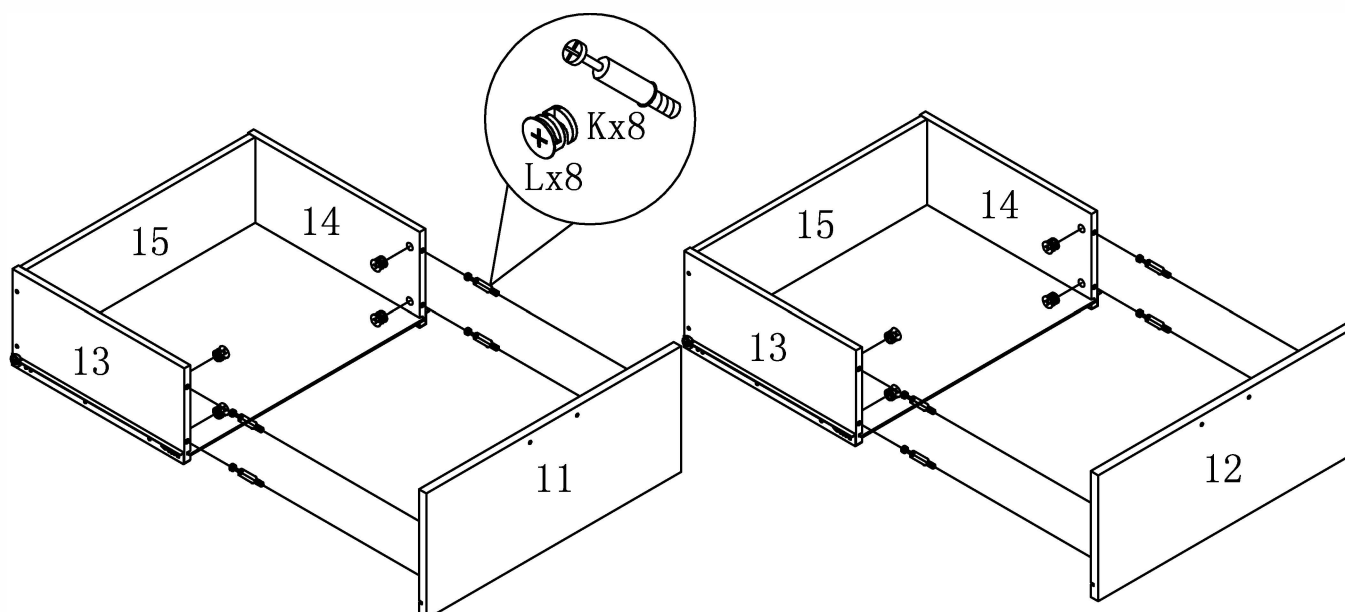


ASSEMBLY INSTRUCTIONS

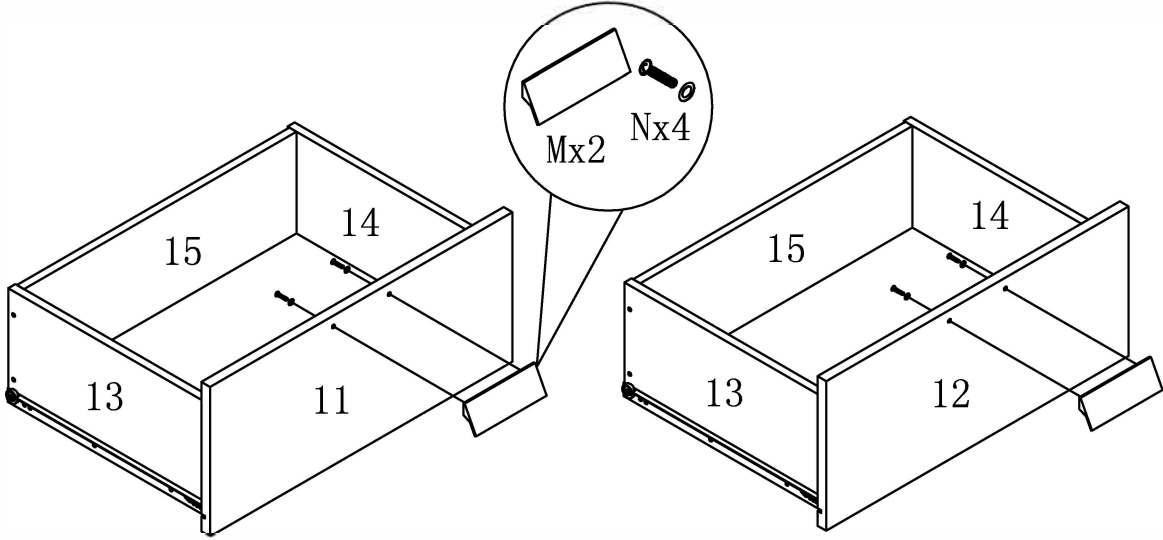


STEP9

STEP10



ASSEMBLY INSTRUCTIONS



STEP 11

STEP 12

