



Installation Instructions

Read all instructions before installing tub. MTI recommends using a professional installer for this product. Installer/product owner is responsible for complying with all state and local codes. Handle this tub with extreme caution. Dropping this product, even from several inches, may cause cracking and permanent damage. Rubber gripped gloves may make it easier to handle the ESS bath.

This tub is made of resin and natural minerals and may have minor variations in color and surface texture throughout the tub. This is normal and part of the unique, handcrafted beauty for products made from natural minerals such as MTI's Engineered SculptureStone®. Please see 'Care & Cleaning Instructions' on page 11.

BEFORE INSTALLING:

Inspect tub thoroughly.

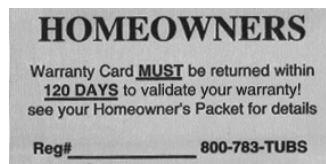
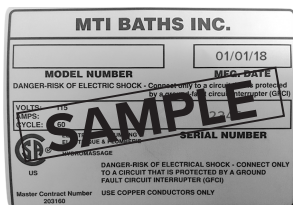
- Damage from shipping or delivery must be reported to carrier immediately. **Do not install damaged tub. MTI is not responsible for damage occurring during transit.**
- Factory defect must be reported to factory before tub is installed. Defects or damage claimed after installation will be excluded from warranty.
- Ensure location is structurally sound, flat and level. See individual specification sheets for weights and water capacity.
- Water test the tub on a flat and level surface. Report any leaks or drainage issues prior to installation.
- If tub is equipped with an air system, perform a system test using provided cables to ensure all components are operating optimally prior to installation.

Please note: Blemishes, air holes or casting marks on the underside of the bath are not considered defects and do not affect the performance or quality of the bath.

Always protect the tub from construction damage by using a protective cover. Damage, including chips and scratches incurred at the jobsite are excluded from warranty, but may be repaired by a qualified technician at the owner's expense. Do not stand in the tub or store materials in the tub during construction. Tubs are intended for indoor use. Tubs are warranted for indoor installation in a climate controlled environment only.

Never leave a full or filling bath unattended.

WARRANTY CARDS & CSA LABELS:



IMPORTANT: Locate and note your serial number on the cover of this manual for any future service needs.



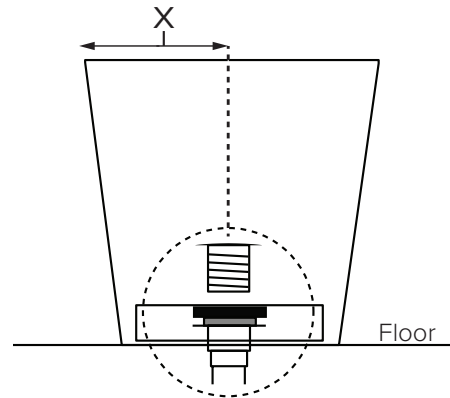
Drain Rough-In Dimensions for Freestanding Tubs with Integral Overflow

MTI Boutique freestanding tubs may be installed with the overflow positioned in the rear or the front of the tub, however, rough-in dimensions provided below are from center of drain to the top outside edge as shown on the product specification sheet. See product specs for line drawing of each tub model.

MODEL NO.	MEASUREMENT X		
131, 131A.....	10 1/2"	217	14"
140	16 3/16"	218	9"
161, 161A.....	9 1/4"	219	7 1/2"
162,162A.....	10 1/4"	220, 220C	6 1/2"
185	8 1/4"	221	7"
189	8"	222	6 3/4"
193	8 1/2"	223	8 1/2"
194,	7 1/4"	227	7 7/8"
195	8"	228	6 1/8"
196	8 1/2"	228T.....	6 1/2"
197	7 1/4"	230	8 1/2"
198	8"	231	8 1/2"
199	14"	233	7 1/2"
200.....	8"	234	7 1/2"
211.....	10"	235	7 3/4"
		236	7 1/2"
		240	8"
		242	10"
		243	8 1/2"
		244	8 1/2"
		245, 245C	6 1/4"
		246	8 1/4"
		247	8 1/4"
		248	8"
		249	8"
		253*.....	25"
		259	32"
		260.....	10"
		262.....	8"
		273	8"

The toe tap drain kit for these tub models includes a straight PVC fitting for weld adhesive connection to the drain pipe directly underneath the tub drain. A 6" brass tailpiece is available, sold separately. When installing to brass, use the provided brass nut in lieu of the PVC fitting to secure the assembly to the threaded drain body.¹

Distance from the bottom of the drain to the finished floor will vary with each tub model. Be sure to measure this distance before trimming rough-in pipe. Weight of the the tub should not rest on the drain; damage may result.¹



*Rough-in dimensions provided are from center of drain to the top outside edge as shown on the product specification sheet. See product specifications for drain and overflow orientation and additional product dimensions.

¹MTI does not warrant leaks or damages associated with improper drain installation and will not be responsible for any costs related to improper installation. If you need assistance, please call the MTI Service Department at 800.783.8827.



Installation Instructions

Freestanding Tubs with Integral Overflow

The integral overflow tubs by MTI Baths require only the waste to be installed. The P-trap will be located directly below the drain. See rough-in chart by model in this manual or the tub specification sheet at mtibaths.com. The tub comes equipped with a toe tap drain and PVC drain fitting.

ⓘ **MTI Recommends using clear 100% silicone sealant. Do Not use plumber's putty.**

With Subfloor Access

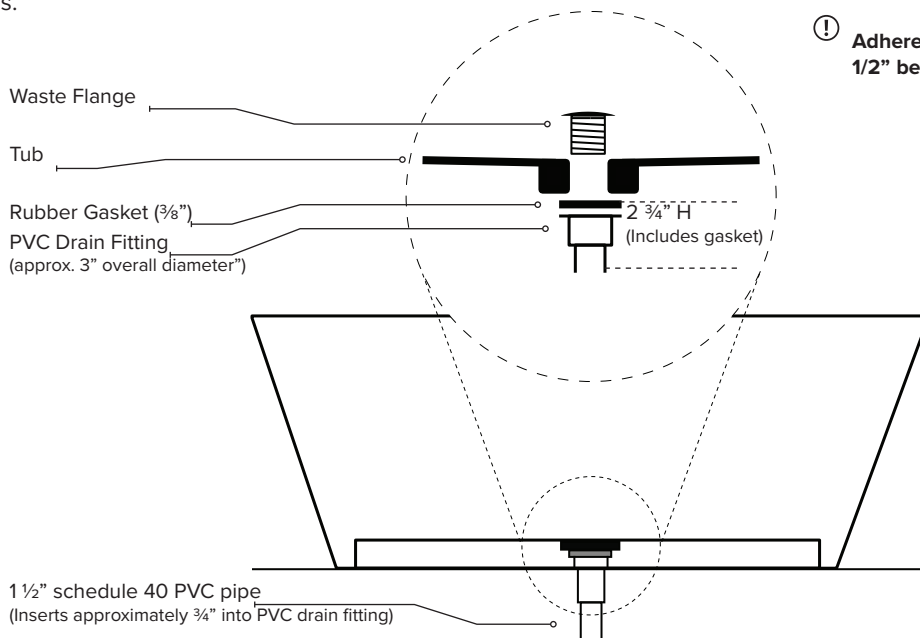
1. Install drain assembly on tub using clear silicone under metal waste flange and on both sides of the gray rubber gasket on underside of the tub. MTI recommends using a small amount of clear silicone on the female threads of the PVC drain fitting to act as a thread sealant. Tighten until it seats, plus one half turn.

Do not overtighten and do not exceed 7ft-lbs maximum. Product damage will occur. ¹

2. Adhere tub to the finished floor using 1/2" bead of clear silicone. Make sure that tub is precisely located where desired and that the hole in the floor for the waste pipe aligns with the tub drain. Immediately wipe off any excess silicone that may be on the floor or exterior of the tub.
3. Finish drain installation from below.
4. Allow time for adhesives to cure and water test for leaks. Many products are ready to test in as little as 30 minutes. Please refer to product label(s) for details.

Without Subfloor Access

1. Stub out drain and P-trap with 1 1/2 schedule 40 PVC pipe at least 1" above finished floor. Because the height will vary slightly from tub to tub, box out around the pipe to allow trimming this pipe below grade upon installing the MTI supplied fitting. The fitting is approximately 3" in diameter.
2. Determine gap between underside of tub (at drain) and the floor. Shorten 1 1/2 inch pipe to allow for the overall height of the the supplied PVC drain fitting and gasket above the finished floor. Dry fit drain fitting to pipe to insure proper height is achieved before setting the tub. **The weight of the tub must not rest on the drain pipe.**
3. Glue fitting to pipe using PVC cement and adhere the rubber gasket to the top of flange with clear silicone.
4. Apply another bead of silicone on top of gasket and a small amount of silicone in the top threads of PVC drain fitting to act as a thread sealant.
5. Adhere tub to the finished floor using 1/2" bead of clear silicone. Make sure that the drain hole, gasket and flange align so that the waste flange can be threaded in from inside the tub. Immediately wipe off any excess silicone that may be on the floor or exterior of the tub.
6. Place a small bead of silicone under the metal waste flange and thread into PVC drain fitting from inside the tub. Tighten until it seats plus one quarter turn.
7. Allow time for silicone and water test for leaks. Many products are ready to test in as little as 30 minutes. Please refer to product label for details.



ⓘ **Adhere tub to the floor with at least 1/2" bead of silicone.**



Installation Instructions – Elena With Cradle

This tub with cradle is designed to install upon finished floor and features an integral overflow, requiring only the waste to be installed. The P-trap will be located directly below the drain. Use actual tub to determine final rough-in location. Instructions below assume subfloor access to solder finished brass tailpiece to your waste pipe. Use of a quick connect drain kit eliminates the need for soldering. When using a quick connect drain, follow the instructions below to install the cradle and toe tap drain assembly, then use quick connect drain instructions for final installation.

! MTI Recommends using clear 100% silicone sealant. Do Not use plumber's putty.



NOTICE: floor protecting silicone or rubber covers for furniture feet may be used with cradle for additional floor protection. Item not supplied by MTI Baths.

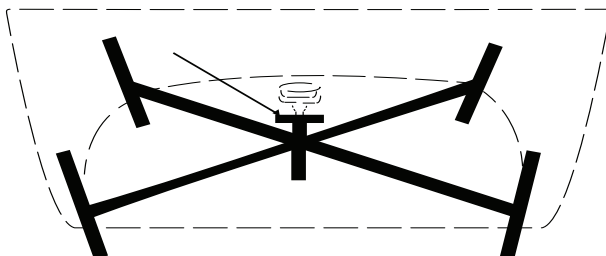
Using furniture feet covers may increase slip potential of cradle with tub. Be sure to adhere furniture feet to floor using clear silicone.

INSTALLATION INSTRUCTIONS

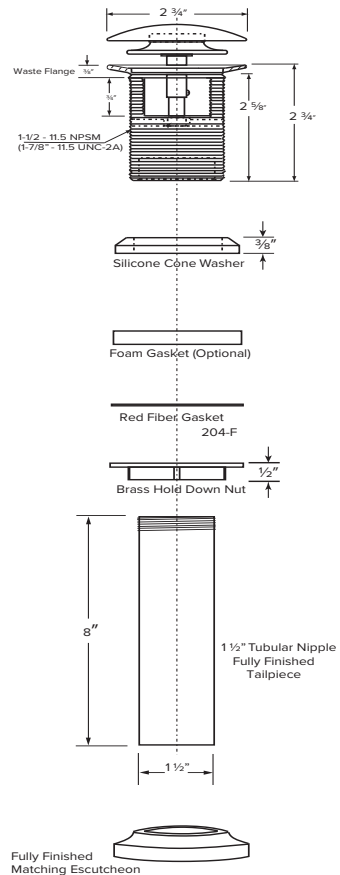
1. Ensure tub installation location is structurally sound, flat and level.
2. Install P-trap with rough-in waste pipe situated directly below planned location of tub drain.
3. Dry fit to ensure proper alignment and mark cradle location. Make sure that the tub drain is aligned with roughed-in waste pipe, then mark location of all 5 feet of the tub cradle before removing tub and cradle.
4. Apply silicone adhesive under each of the 5 legs of the cradle and align each leg with previously marked locations. Wipe off excess adhesive. Allow cure time and install drain kit onto tub before setting tub back into the cradle.

IMPORTANT: Secure protective cloth around top portion of cradle legs before setting tub into cradle!

5. Install toe tap drain on tub using clear silicone under the waste flange and on both sides of the silicone gasket on underside of the tub. Tighten brass hold-down nut until it seats, plus one quarter turn. Thread decorative tail piece into the threaded waste. Allow curing time and water test for leaks. Many products are ready to test in as little as 30 minutes. Please refer to product label for details.
6. Slip on and temporarily secure matching escutcheon to tailpiece before lowering tub back onto cradle. Ensure that tailpiece is aligned with hole in the floor for waste line.
7. From below floor, solder tailpiece to 1.5" brass waste pipe, making sure to protect surrounding materials.



TOE TAP DRAIN WITH INTEGRATED OVERFLOW AND THREADED BRASS DECORATIVE TAILPIECE



¹MTI does not warrant leaks associated with improper drain installation and will not be responsible for any costs related to improper installation. If you need assistance, please call the MTI Service Department at 800.783.8827.

Installation Instructions – Alcove Tubs

Due to the handcrafted nature of this product, all printed specifications have a $\pm 1/2$ " tolerance and are subject to change at any time. Take all final installation dimensions from your tub before constructing the stud wall.

This tub is ready for installation on a flat, level subfloor. Additional bedding compound is not required. Be sure to test both floor and tub for level prior to installing. To secure the tub to the floor and wall stringers, apply at least $1/2$ " bead of silicone to all contact surfaces on the bottom of the the tub, integrated skirt and/or end panels, and under the tub rim.

IMPORTANT:

Apply at least a 1/2" bead of silicone to all contact surfaces.

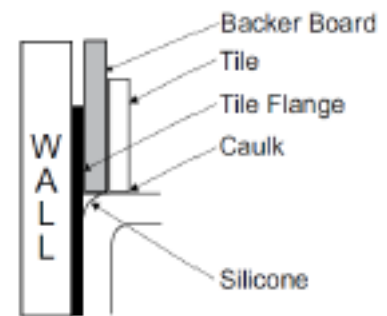
Determine the final height of your stringers by measuring the tub from the underside of the rim to the floor. Mark a level line on the stud walls using the measurement determined above. Attach a 2x2 or similar to the studs, aligning the top of your stringers to this line. All mounting surfaces must be at the proper height.



The ABS tile flange is chemically bonded to the tub at the factory. This facilitates installation and provides a watertight seal on any sides specified.

IMPORTANT: THE TILE FLANGE IS NOT DESIGNED TO SUPPORT THE WEIGHT OF THE TUB!

Make sure the tub is level from front to back and side to side. Screw through the flange into the studs. No pre-drilling is necessary. **Seal / fill the void between the tile flange and the tub with clear silicone.**





Installation Instructions – Airbath

If your bath came equipped with an air system, there are several considerations and important installation procedures to follow. To maintain optimal performance and easy operation, the following conditions must be met.

Electrical installation instructions

See Important Safety Information on page 1 of this manual and Electrical Specifications below. This circuit must be connected to a supply that is protected by a ground fault circuit interrupter (GFCI). Such a GFCI should be provided by the installer and accessible for testing on a routine basis.

Testing The GFCI:

Push the **TEST** button. The GFCI should interrupt power.
Push the **RESET** button. Power should be restored.

WARNING: If the GFCI fails to operate in this manner, there is a ground current flowing, indicating the possibility of electric shock. DO NOT use this unit. Disconnect the unit and have the problem corrected by a qualified service representative before using.

Every MTI air blower is supplied with a 29” grounded cord and NEMA plug to be plugged into a grounded receptacle*. **Do not remove this plug.** If a wall mount switch is desired to control use of the unit, the switch should control the receptacle. **Under no circumstance should you alter the provided supply cord.**

Before servicing unit, shut off all electrical outlets as more than one outlet may be energized.

*Air blowers do not require a bonding conductor.

Electrical Specifications

Air Blower 9.5 AMP

System components supplied with MTI tubs intended for installation within the U.S. & Canada are limited to 110V. Check your order details when installing outside of these territories.

Airbath Installation Instructions

Read all installation instructions before beginning install.

The blower and check valve must be remotely located within 8’ of the tub (*See Illustration A on the page 9*). A common location is a closet or cabinet. The check valve must be 2” above the height of the top of the tub rim and can be mounted to the framing or wall with pipe hanger, pipe clamp, metal straps or wire ties. MTI SculptureStone airbaths come with a remote control and optional keypad.

Blower Installation

- Installation location of the blower must be properly ventilated to keep it from overheating and climate controlled to avoid the impact of cold ambient air on the performance of the blower and guard against humidity that can be corrosive to the electronics.
- 14” x 16” access must be provided for future servicing.
- The blower requires approximately 2ft³ of space and 1” x 4” vent for proper circulation. Do not use insulation within 8” of the blower, and never wrap insulation around the blower as this will cause the equipment to fail.
- Secure blower using wood screws through the mounting feet.
- Within 2 ft. of the blower, there must be a GFCI electrical outlet on a 110 VAC that is the recommended size for the air system. The GFCI outlet must be accessible for future servicing.

Note: MTI does not recommend locating the blower more than 8’ from the tub to prevent heat loss from the blower to the tub. 1” schedule 40 PVC pipe and pipe insulation may be used to help retain the warmth of air from the blower.

Installation Instructions – Airbath

If your bath came equipped with an air system, there are several considerations and important installation procedures to follow. To maintain optimal performance and easy operation, the following conditions must be met.

Check Valve And Airline Installation

- The remote check valve **MUST** be mounted at least 2" above the top rim of the tub. Use 1" PVC flexible pipe or rigid schedule 40 to connect the remote check valve to the manifold (factory installed underneath the tub) or to the grey air hose at the manifold. Connect the check valve to the blower using the grey hose. Make sure ring clamps are secure on both end of the grey hose(s).
- **NOTE:** Depending on remote check valve location and site conditions, the air hose that is attached to the manifold can remain within the pedestal or run under the floor to connect to the roughed in airline in the floor, or exit the tub through the side of the pedestal base for an above-the-floor airline installation. When running grey hose under the floor, use a heat resistant adhesive to secure connection from hose to pipe and use care not to crush or restrict the airflow in the line in any way.

IMPORTANT: Side exit from the pedesal would require onsite drilling through the pedestal and should only be considered when there is no subfloor access to run the airline. MTI does not recommend an above-the-floor airline, unless the tub and outlet in pedestal are very close the wall or the airline can be concealed with nearby or surrounding cabinetry. Onsite modification to the pedestal is performed at the risk of the installer. MTI does not pre-drill the pedestal base for side exit (**Photo A**).

Water Sensor, Remote Control & Keypad Installation

- The water sensor wire, factory installed to posts under the tub on either side of the tub drain (**Photo B**), will connect to a port on the side of the blower (*See Illustration A on next page*). Do not attempt to remove the sensor wires from the tub. To extend this wire, splice in 18 gauge, low voltage wire. Be sure to save the two pin connector to allow connection to the blower.
- Use the 12" ethernet cable to connect the radio receiver module to the blower. (*See Illustration B on next page*). The keypad comes synchronized to the blower from the factory. Synchronization instructions are provided with the remote control.
- The keypad is optional and can be mounted convenient to the bather or in an inconspicuous location to use as a secondary option for system control. Use the 6' ethernet cable to connect the keypad to the secondary jack on the radio receiver module (*See Illustration B on next page*).

Test

- Plug the blower into the outlet and test for operation. After the airbath is turned off and water drains from the tub, the LED light on the keypad will flash continuously, indicating the purge cycle is activated.
- **NOTE:** All air baths are equipped with an automatic drying cycle. Approximately 7 minutes after the bath is drained, the blower will turn on for 1-2 minutes. This drying cycle cannot be cancelled. Any attempt to cancel this cycle resets the countdown timer. When the purge cycle is complete, the LED light will cease flashing.

PHOTO A

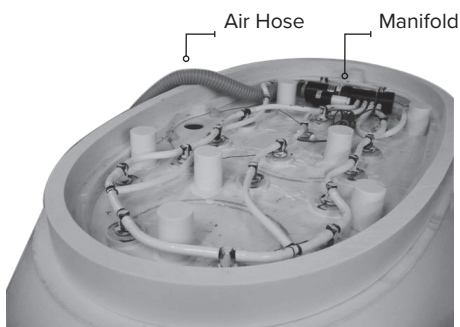
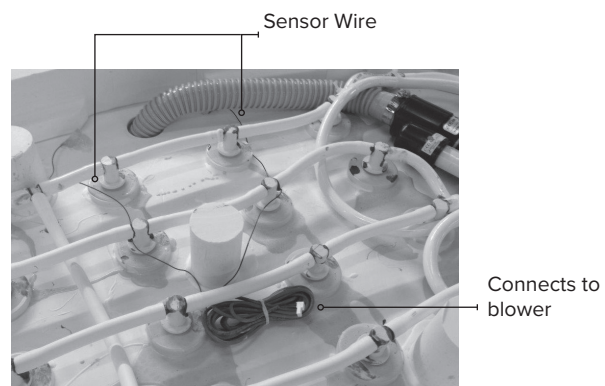


PHOTO B





Installation Instructions – Airbath

The following illustrations are referenced in the instructions on page 8.

Illustration A

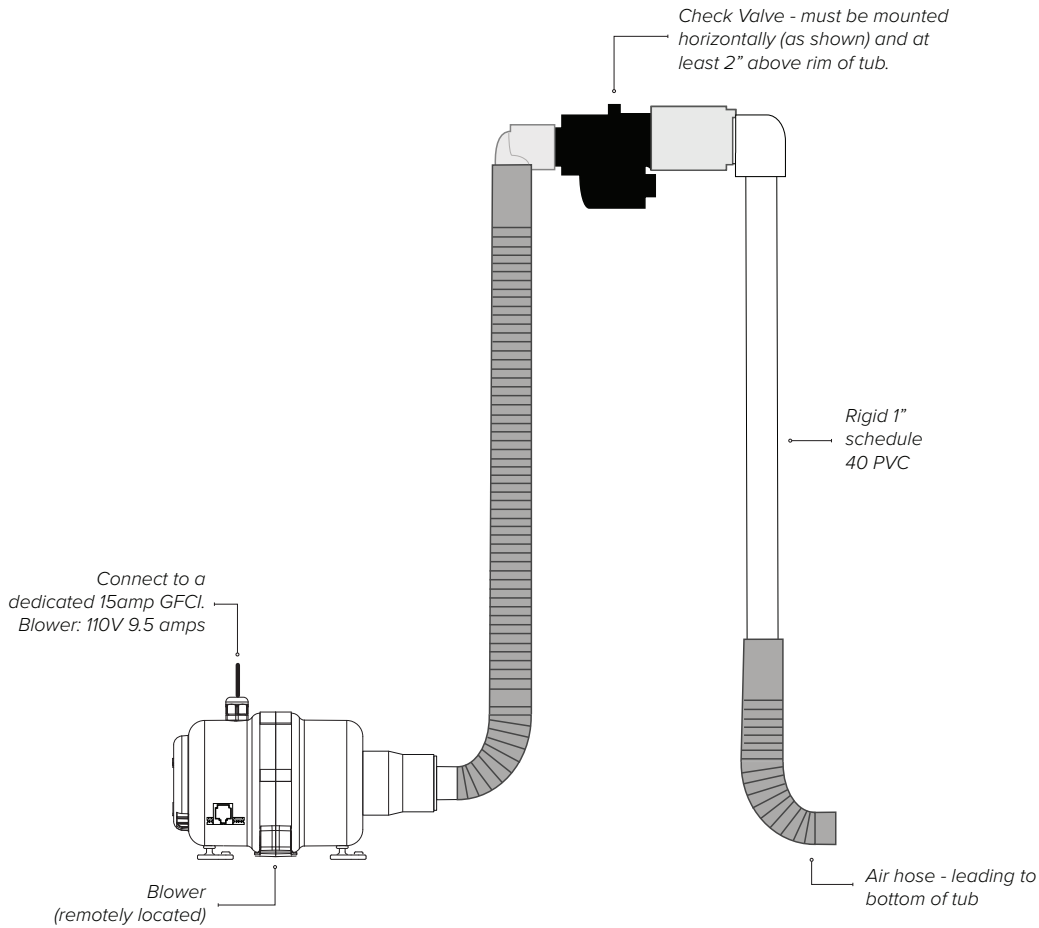
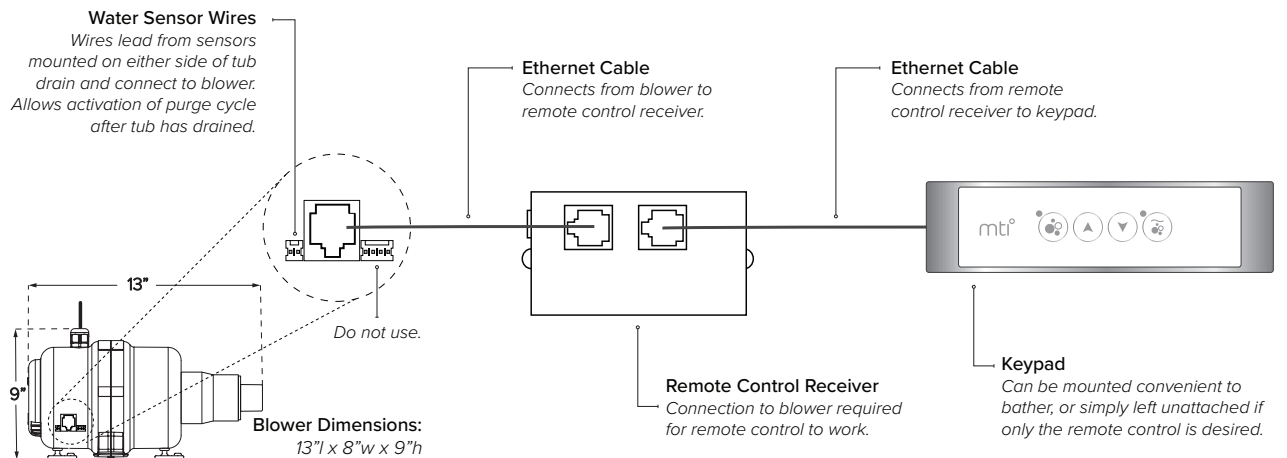
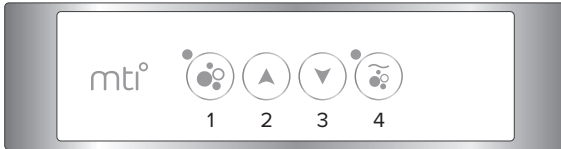


Illustration B



Operation Instructions – Airbath Keypad and Remote

Note: Numbered instructions depict buttons in photo as seen from left to right on keypad or top to bottom on remote control.



Airbath Keypad

FUNCTIONS:



1. ON/OFF

1st Press: The blower starts. LED light on.
2nd Press: The blower stops. LED light off.



2. BLOWER SPEED INCREASE

Press & hold to increase the blower speed. Release pressure at the desired speed.
Note: The blower initially starts at 30% speed.



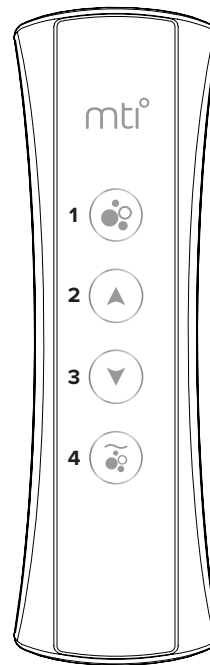
3. BLOWER SPEED DECREASE

Press & hold to decrease the blower speed. Release pressure at the desired speed.



4. SPA MODES

1st Press (Wave): Speed will vary gradually from maximum to minimum. LED light on.
2nd Press (Pulse): Speed will go directly to minimum and then straight back to maximum. LED light will flash.
3rd Press (Steady): Returns to maximum speed (100%). LED light turns off. To decrease speed press "decrease" arrow down.



Airbath Remote Control

Note: Blower automatically stops after 20 minutes.

STANDARD DRYING CYCLE WITH WATER DETECTORS:

The system is equipped with two sensors on the floor of the bath near the drain. Every time water is introduced to the bath and drained, either by showering, bathing or cleaning, the sensors will activate the drying cycle. The cycle will start approximately 7 minutes after the bath is drained and run for 1-2 minutes. The drying cycle will activate even when the air system has not been turned on. The blower LED blinks (on keypad only) during the drying cycle countdown. This countdown cannot be cancelled. Any attempt to cancel this cycle only resets the countdown timer.

OPERATIONAL VIDEOS:

Please visit mtibaths.com