

24 HOURS
RESPONSE

support@ovios-furniture.com

Assembly Instruction

Patio Seating Set 2PCS

Warranty

One year limited warranty is offered from the date of purchase and covers manufacturing defects in material and workmanship of rattan/wicker, cushions and glasses. Our warranty doesn't cover damage caused by accidents or unreasonable use.

This limited warranty only applies to the original purchaser of the product and is not transferable. When making a claim you will need the original receipt as proof of purchase.



Customer Service

Ovios is committed to providing exceptional customer service and quality products. If you have any questions or need to order a replacement part for a product, please email support@ovios-furniture.com, we will help you resolve the issue as soon as possible.



DO NOT RETURN TO THE STORE!

If parts are missing or damaged, we will gladly ship your replacement parts free of charge.

Customer service contact information below:

 Facebook: **Ovios Furniture**

 Ins: **ovios.cn**

 E-mail: **support@ovios-furniture.com**



For more information, please visit our websites: www.ovios-home.com

Or google our store "Ovios furniture"



CUSTOMER SERVICE CARD

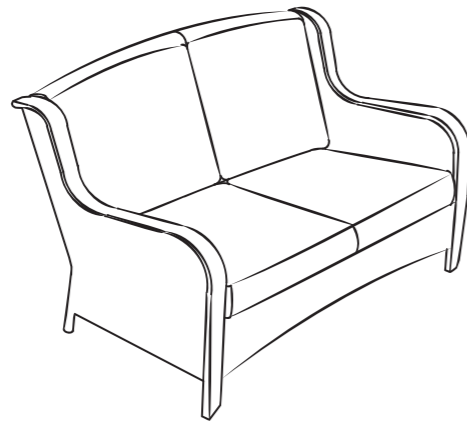
Brand Family

Ovios XIZZI Allwex HOOOWOOO SOAO.S

Assembly Instruction

Advice:

1. Power tools are suggested to be used during installation.
2. More than one person may be required to assemble this product.
3. The best advice is not tightening up any screws until the whole piece is assembled. If having difficulty aligning holes, loosen the screws already installed and readjust the armrest.
4. To avoid mess-up or mismatch, please use the hardware of each box to install the furniture in the same box.



Loveseat



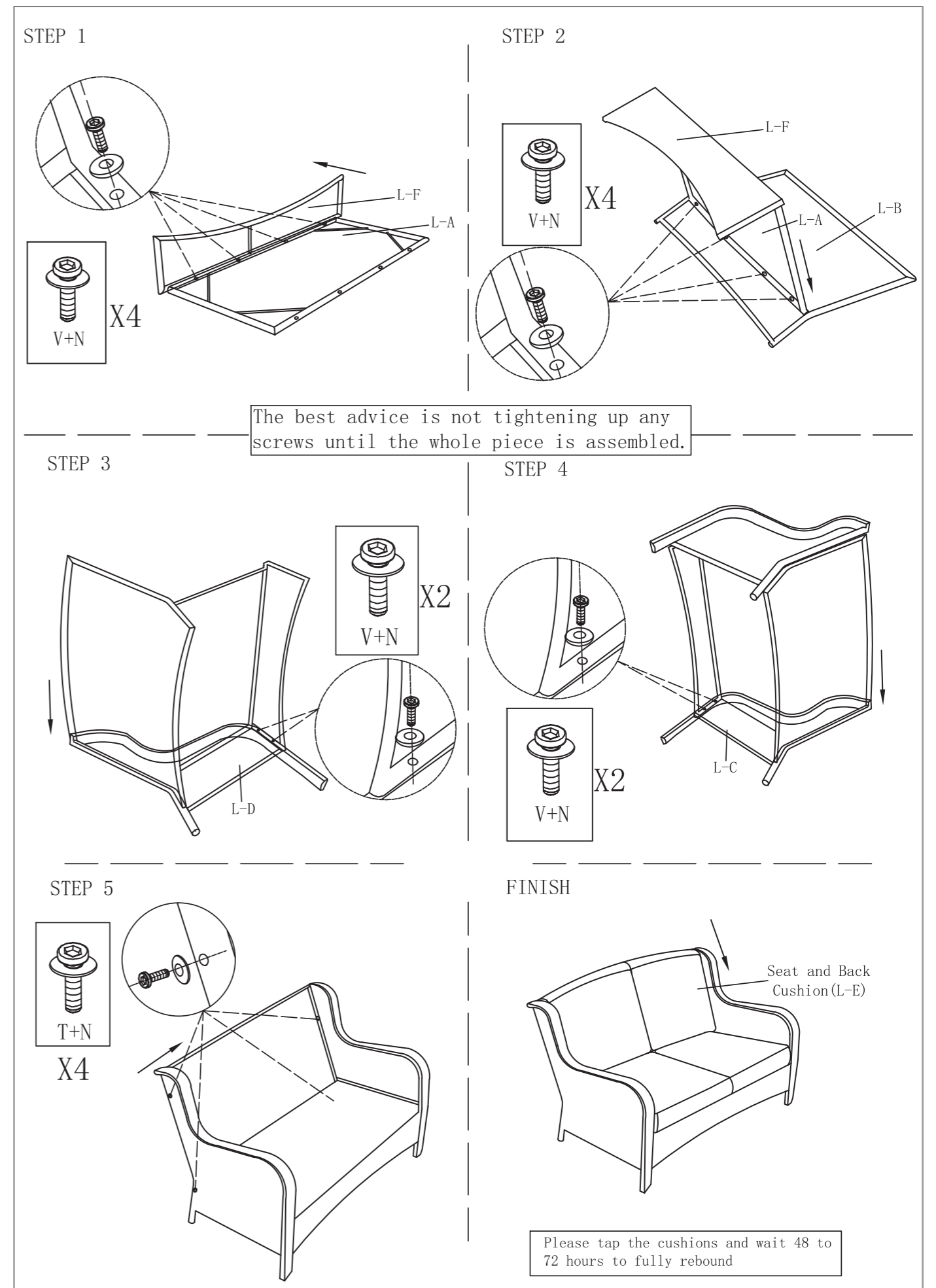
Parts List

Part Number	Picture	Description	QTY	Part Number	Picture	Description	QTY
L-A		Sofa Seat	1	N		Washer (M6)	16
L-B		Sofa Back	1	V		Screw (M6*35)	12
L-C		Right Arm	1	T		Screw (M6*45)	4
L-D		Left Arm	1	L		Allen Key	1
L-E		Seat and Back Cushion	2	L-F		Front Panel	1

NOTE

1. Vacuum compressed cushion and cover.
2. Pat the inner cushion and wait 5–7 days for rebounding, then put it into the cover.
3. Tidy up the cushion cover, then use it comfortably.

NOTE: Please keep the zipper from being stuck by the strings or inner bag.



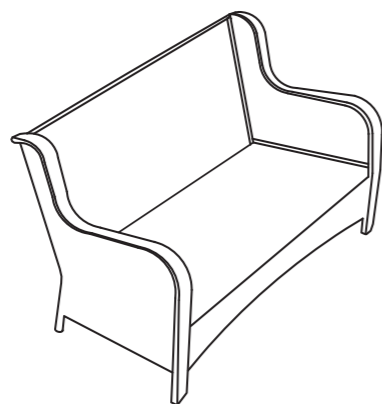
The best advice is not tightening up any screws until the whole piece is assembled.

Please tap the cushions and wait 48 to 72 hours to fully rebound

Assembly Instruction

Advice:

1. Power tools are suggested to be used during installation.
2. More than one person may be required to assemble this product.
3. The best advice is not tightening up any screws until the whole piece is assembled. If having difficulty aligning holes, loosen the screws already installed and readjust the armrest.
4. To avoid mess-up or mismatch, please use the hardware of each box to install the furniture in the same box.



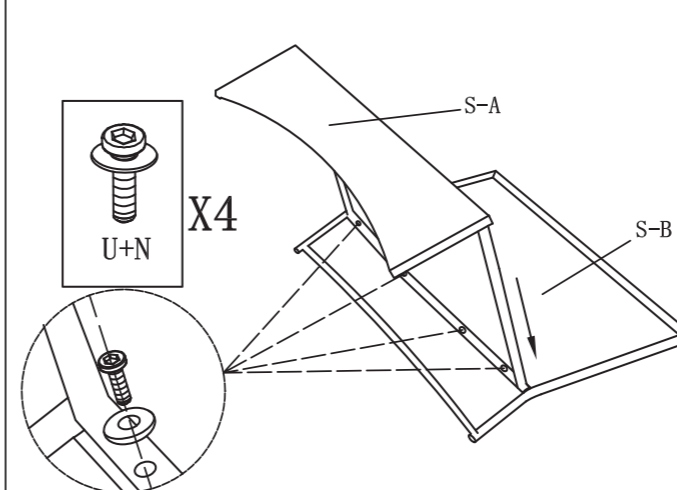
3-Seat Sofa



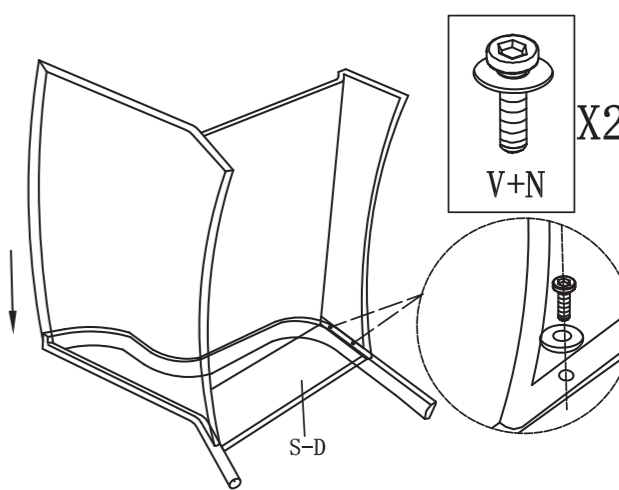
Parts List

Part Number	Picture	Description	QTY	Part Number	Picture	Description	QTY
S-A		Sofa Seat	1	N		Washer (M6)	12
S-B		Sofa Back	1	V		Screw (M6*35)	4
S-C		Right Arm	1	U		Screw (M6*40)	4
S-D		Left Arm	1	T		Screw (M6*45)	4
S-E		Seat and Back Cushion	3	L		Allen Key	1

STEP 1

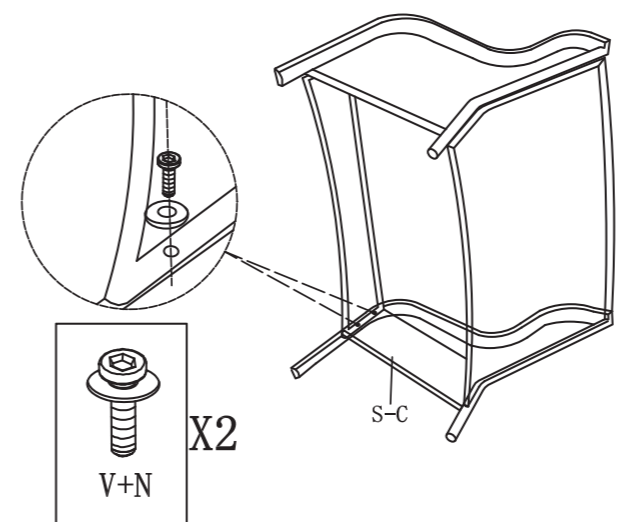


STEP 2

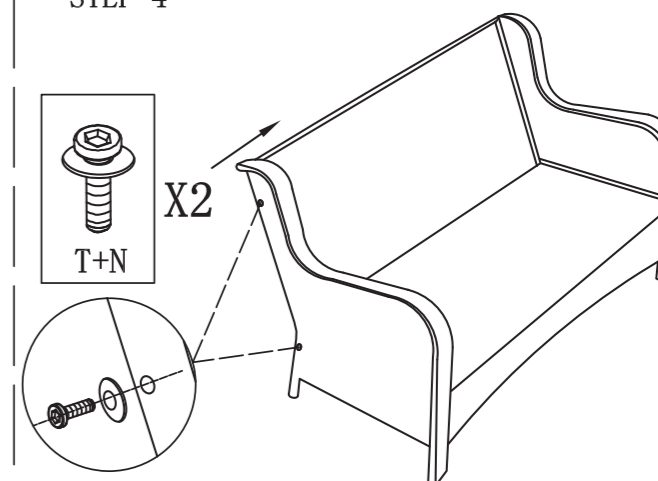


The best advice is not tightening up any screws until the whole piece is assembled.

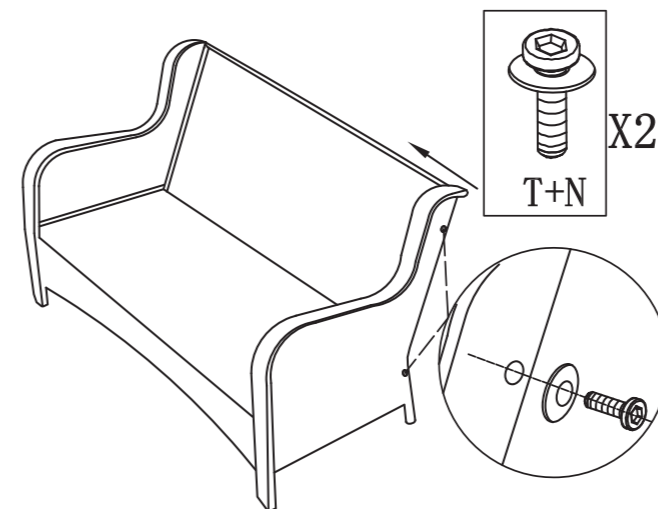
STEP 3



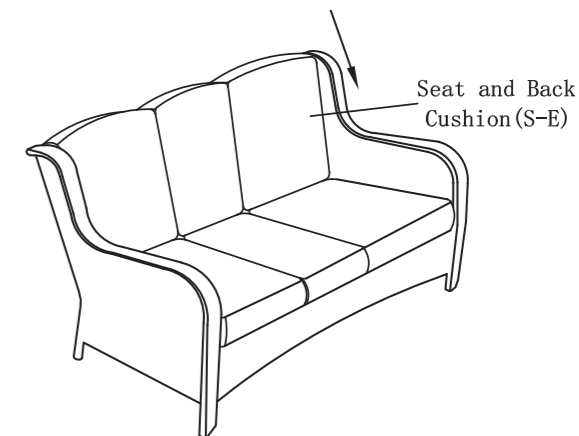
STEP 4



STEP 5



FINISH



Please tap the cushions and wait 48 to 72 hours to fully rebound