

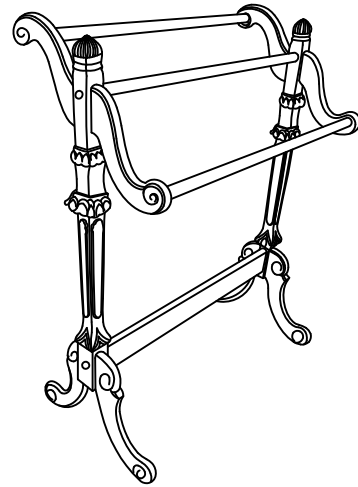


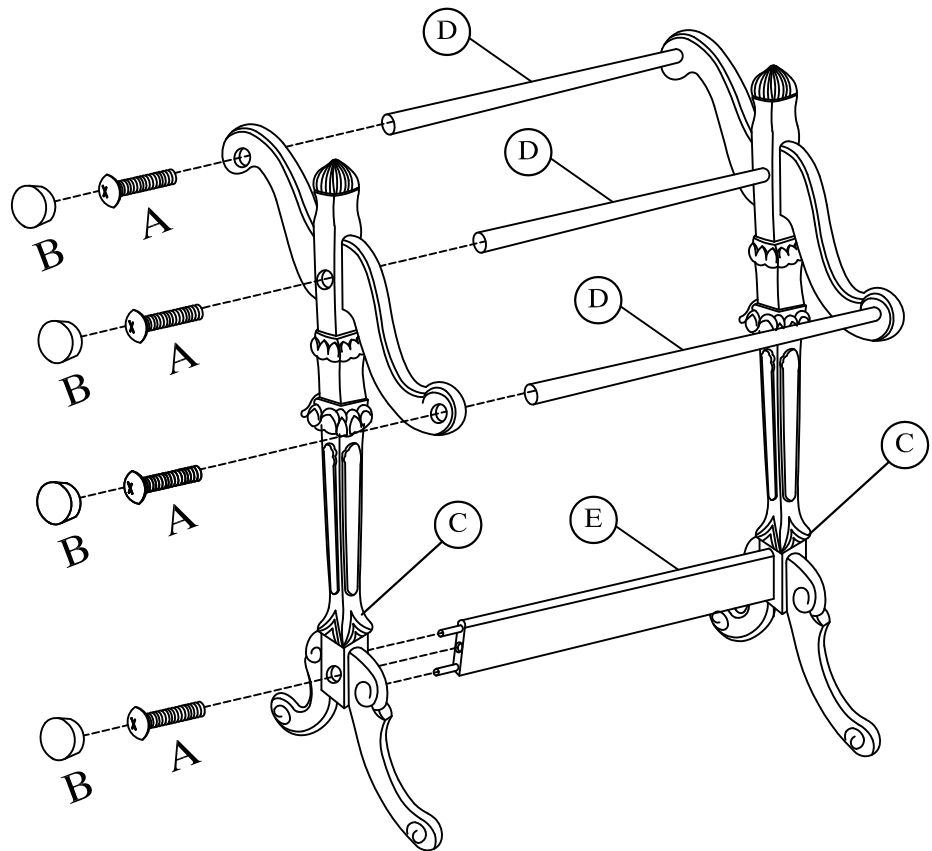
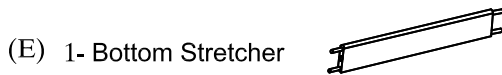
Assembly Instructions

PACKAGED

- (A)  8-Bolts dia 1/4"*1-1/2"L
- (B)  8- Wood Buttons



Read all instructions before starting assembly.



(*Caution:DO NOT OVERTIGHTEN

In any correspondence regarding this product, please include the complete identification number located on the underside of the product.

We hope this Blanket Stand will be a useful and decorative addition to your home for years to come.