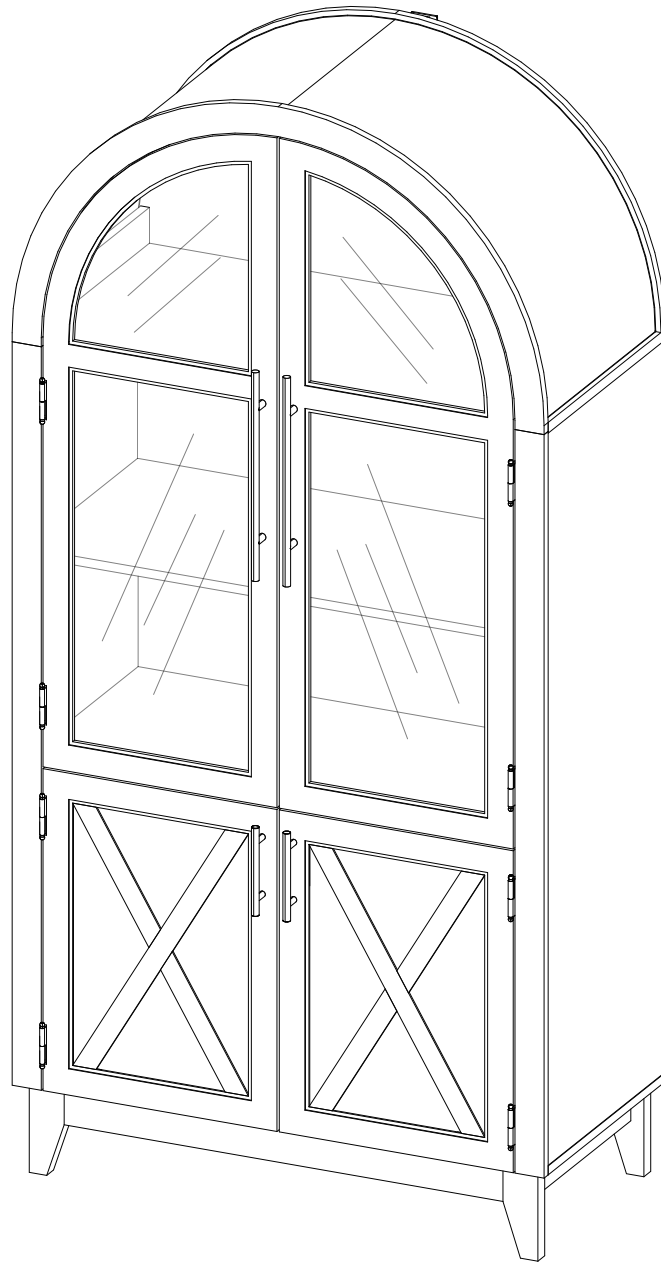


Assembly Instruction

Decorate your home, Brighten wonderful life



Notes:

1. ASSEMBLY PREPARATION AND TIPS FOR ASSEMBLY

- 1). Remove all packaging materials, staples and packing straps from the carton.
- 2). Refer to Parts List and Hardware List, and ensure parts and hardware are correct before assembly.
Contact customer service for missing parts.
- 3). Place all wooden parts on a clean, flat and soft surface (e.g. carpet or rug) to prevent scratch and damage to parts.
- 4). Allow ample room for assembly and assemble the product near where the product will be placed.
- 5). During assembly, do not over-tighten any fittings as this may cause damage.
- 6). Always place the product on a flat, level surface.

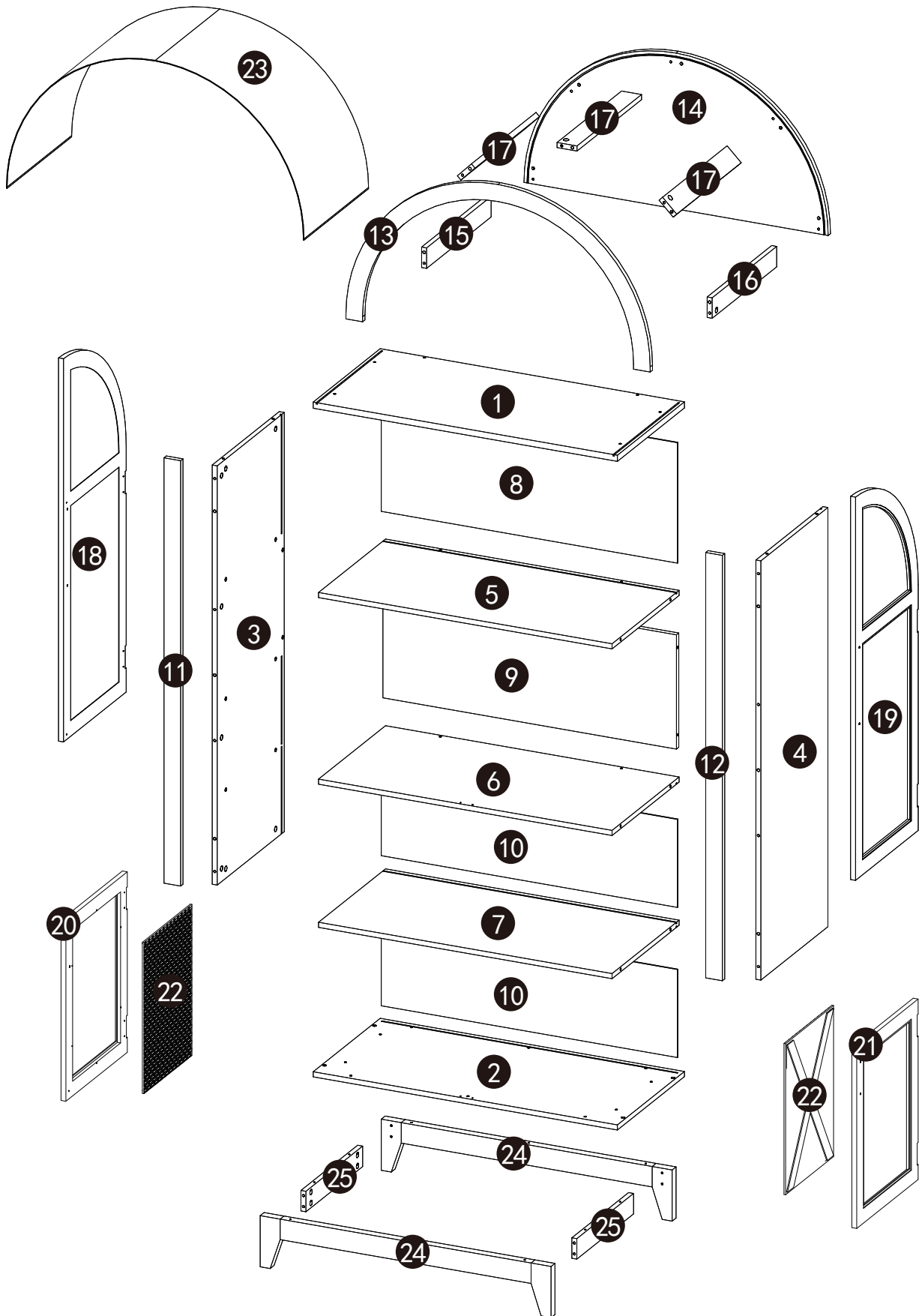
2. CARE AND MAINTENANCE

- 1). KEEP ALL HARDWARE PARTS OUT OF REACH OF CHILDREN.
- 2). Wipe clean with a soft, dry cloth; avoid the use of harsh chemicals or household cleaners as they may damage the exterior finish of the furniture.
- 3). Hardware may loosen over time. Periodically, check that all connections are tight; re-tighten as necessary.

3. TIPS TO PROTECT & CARE FOR YOUR FURNITURE

- 1). Avoid placing your furniture in direct sunlight, as sunlight causes fading.
- 2). Use a protective pad when writing on the furniture surface.
- 3). Use cutting boards and trivets for food preparation in order to avoid damaging the top for the unit.

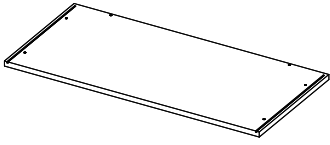
Plate number



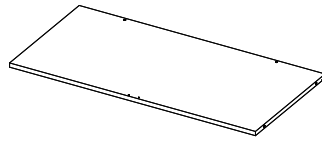
PARTS LIST

Unit: (mm)

1 x1 PC



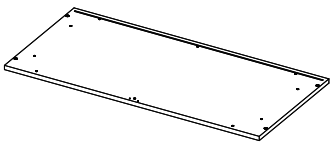
6 x1 PC



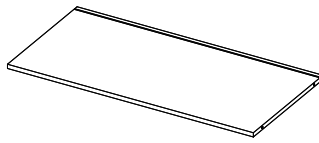
11 x1 PC



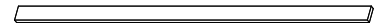
2 x1 PC



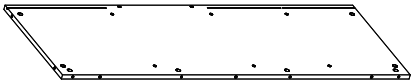
7 x1 PC



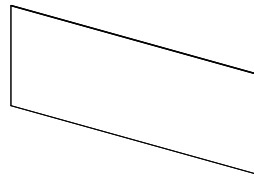
12 x1 PC



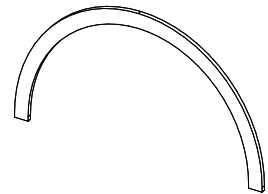
3 x1 PC



8 x1 PC



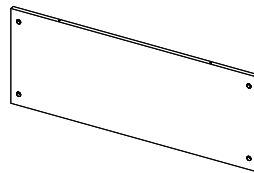
13 x1 PC



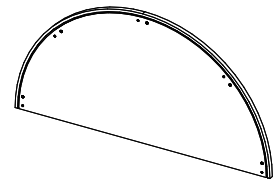
4 x1 PC



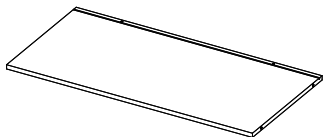
9 x1 PC



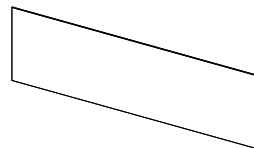
14 x1 PC



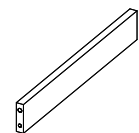
5 x1 PC



10 x2 PC



15 x1 PC

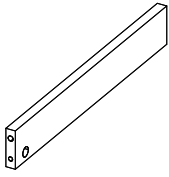


PARTS LIST

Unit: (mm)

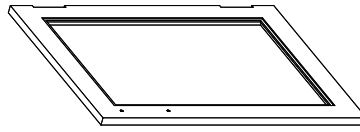
16

x1 PC



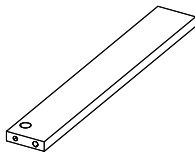
21

x1 PC



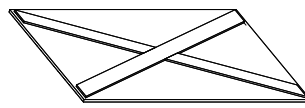
17

x3 PC



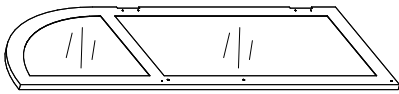
22

x2 PC



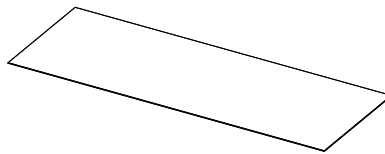
18

x1 PC



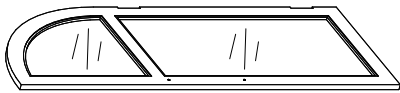
23

x1 PC



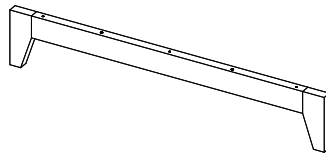
19

x1 PC



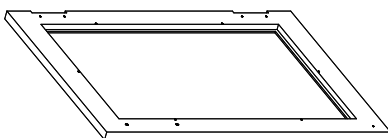
24

x2 PC



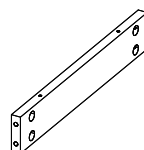
20

x1 PC



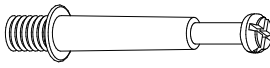



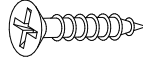
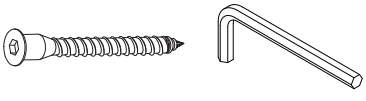
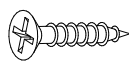
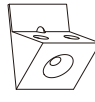
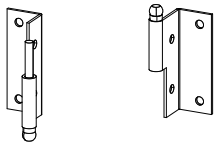
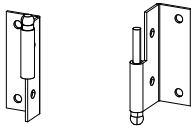

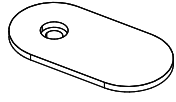

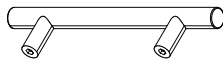
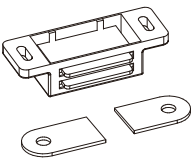
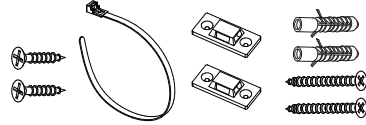
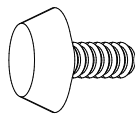
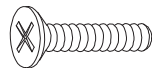
25

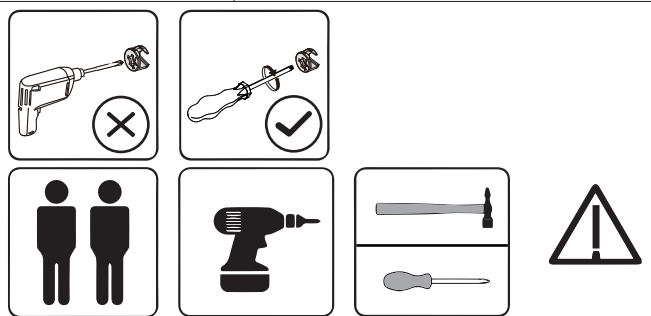
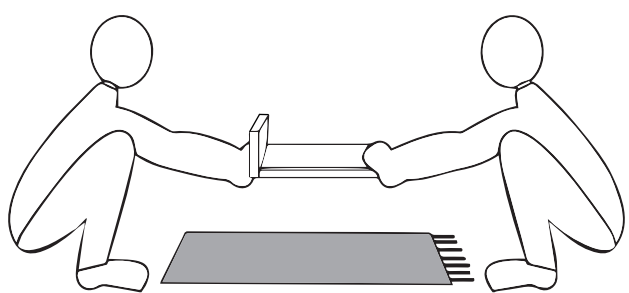
x2 PC



ACCESSORIES LIST

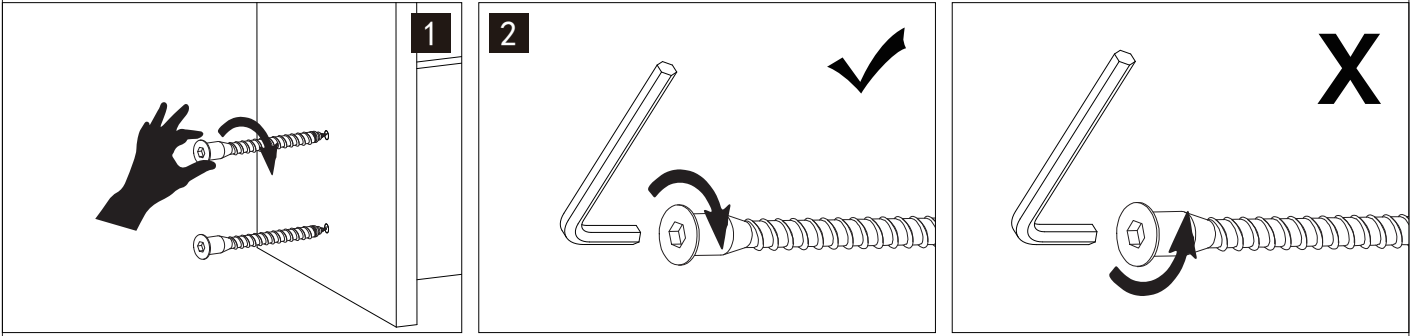
Unit: (mm)

<p>A x37 PC</p>  <p>6x35</p>	<p>B x45 PC</p>  <p>15x10</p>	<p>C x8 PC</p>  <p>6x40</p>
<p>D x22 PC</p>  <p>8x40</p>	<p>E x64 PC</p>  <p>M3.5x14</p>	<p>F x25 PC / X1 PC</p>  <p>M5x40 / #3</p>
<p>G x42 PC</p>  <p>M3x14</p>	<p>H x18 PC</p> 	<p>J x4 PC</p>  <p>Hinge</p>
<p>K x4 PC</p>  <p>Hinge</p>	<p>L x38 PC</p>  <p>21mm</p>	<p>M x12 PC</p> 
<p>N x2 PC</p> 	<p>O x2 PC</p> 	<p>P x3 PC</p> 
<p>Q x1</p> 	<p>R x4 PC</p> 	<p>S x8 PC</p>  <p>M4x22</p>

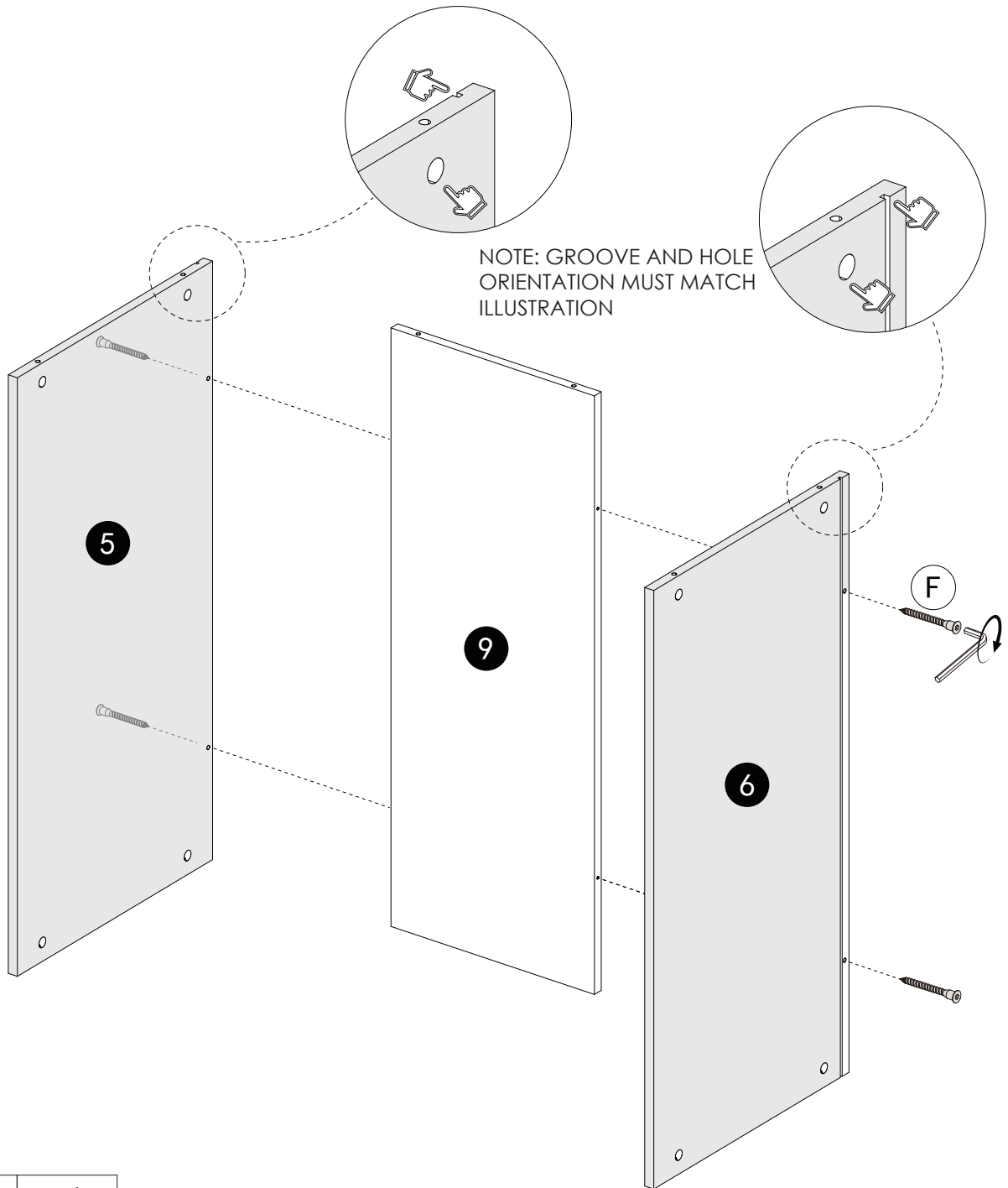


INSTALLATION INSTRUCTION

STEP 1



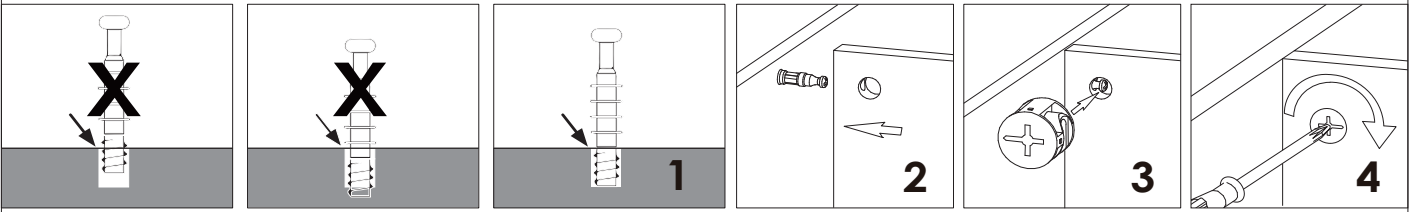
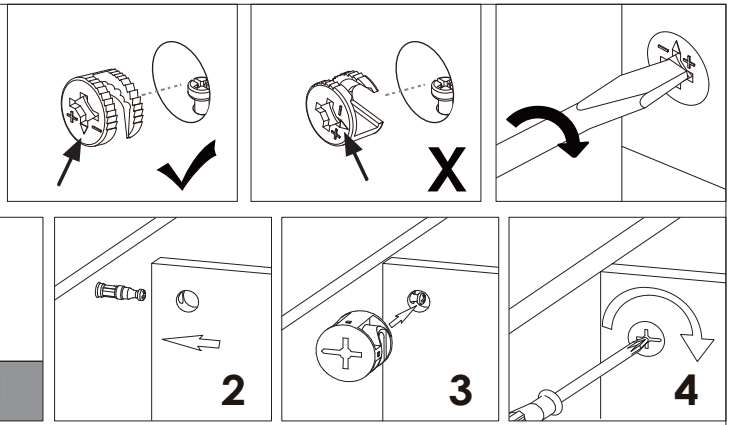
Install board 9 between boards 5 and 6 using threaded rod F.



F  x4

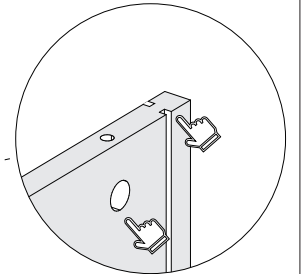
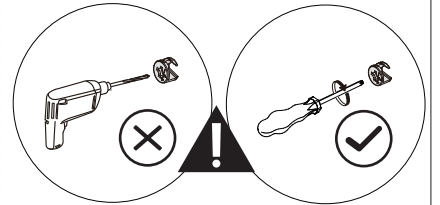
STEP 2

Installation method of three in one rod and buckle

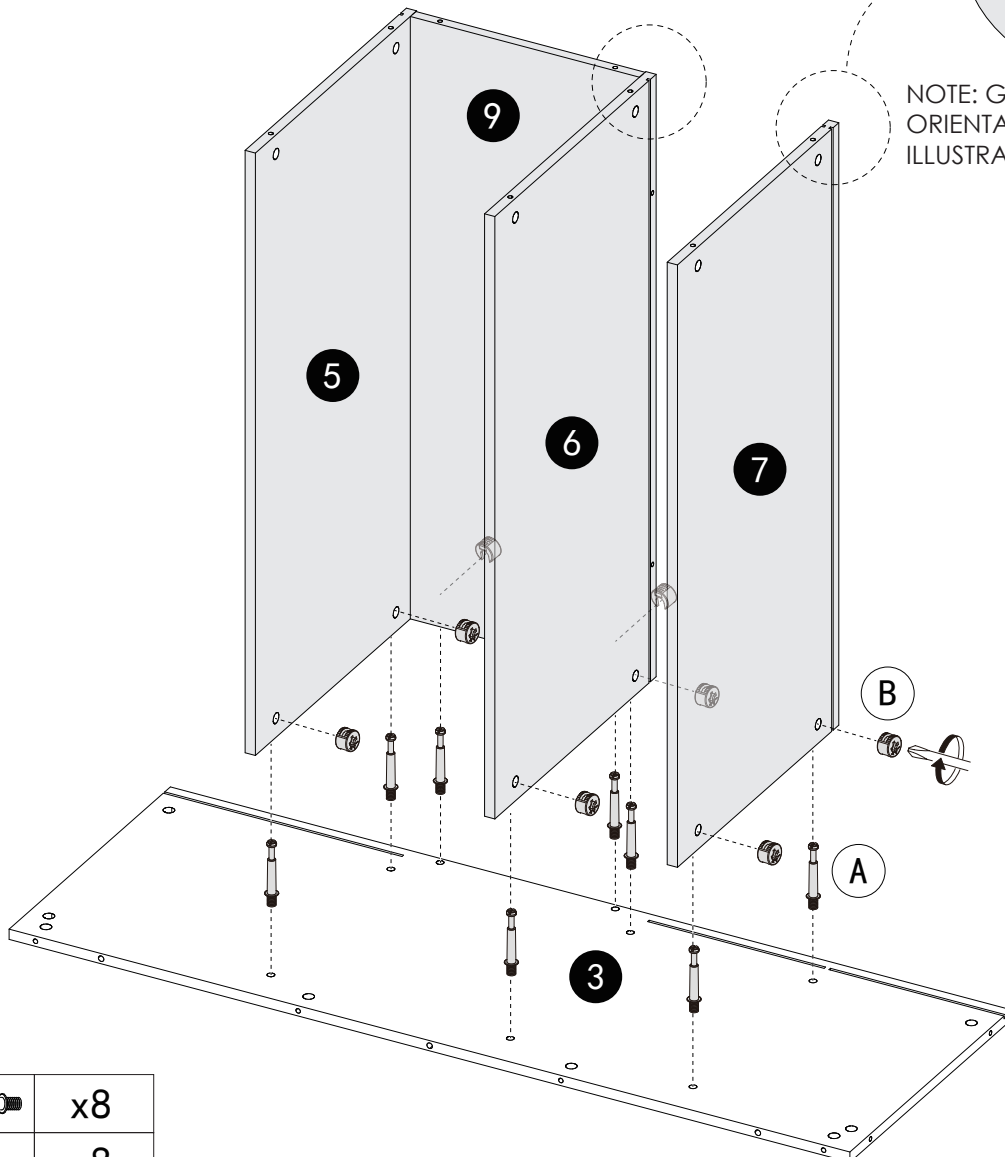


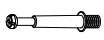

1. Install 3-in-1 Dowel A onto Panel 3.

2. Mount Panels 5, 6, 7, and 9 onto Panel 3 and lock tight with 3-in-1 Latch B.



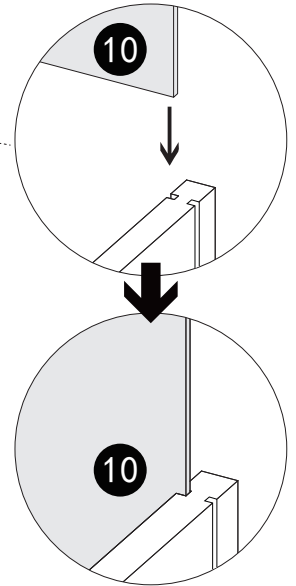
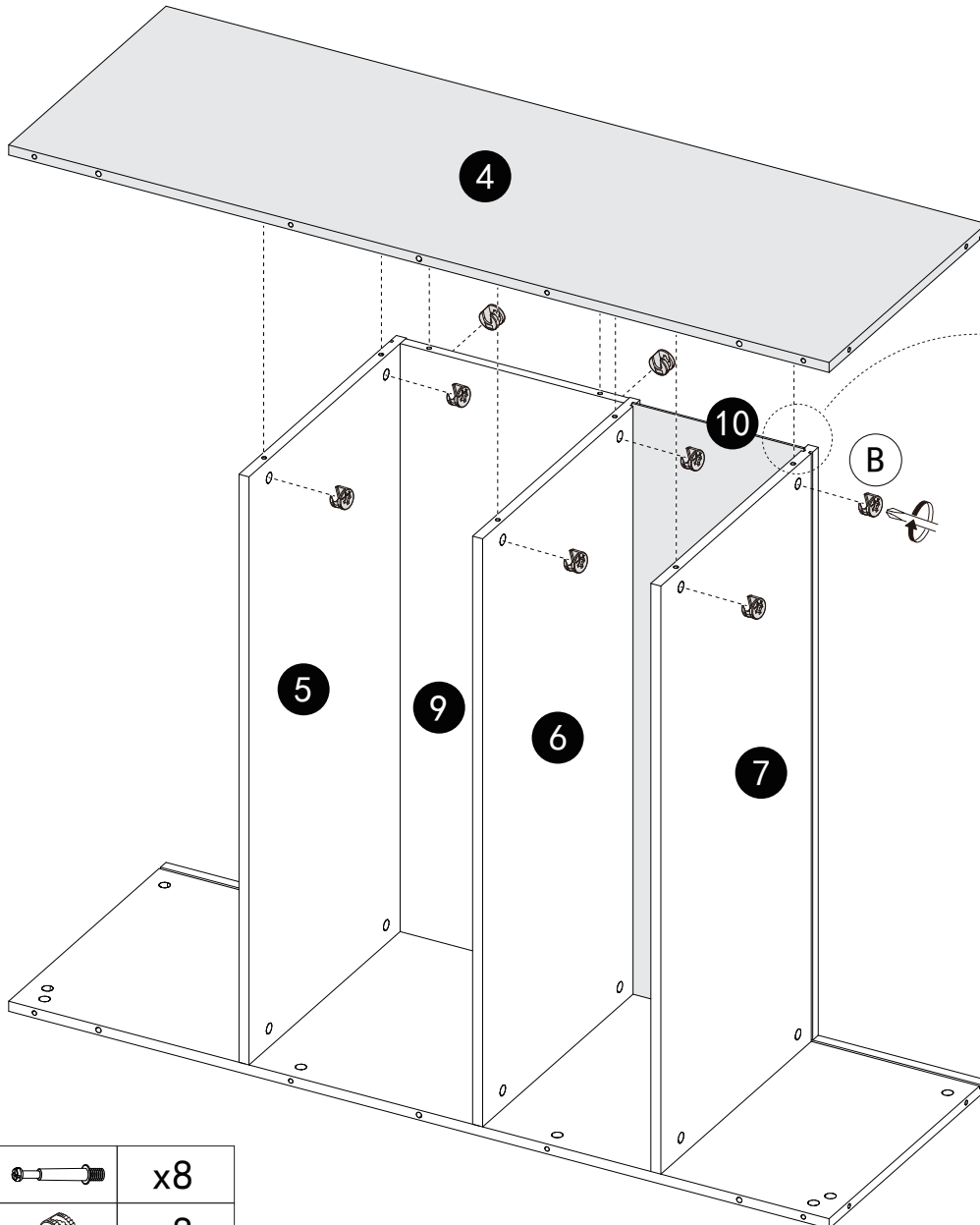
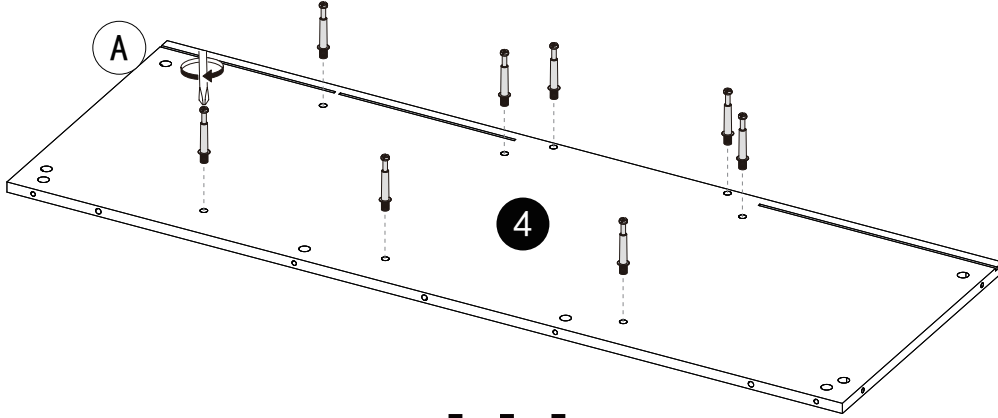
NOTE: GROOVE AND HOLE ORIENTATION MUST MATCH ILLUSTRATION

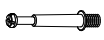



A		x8
B		x8

STEP 3

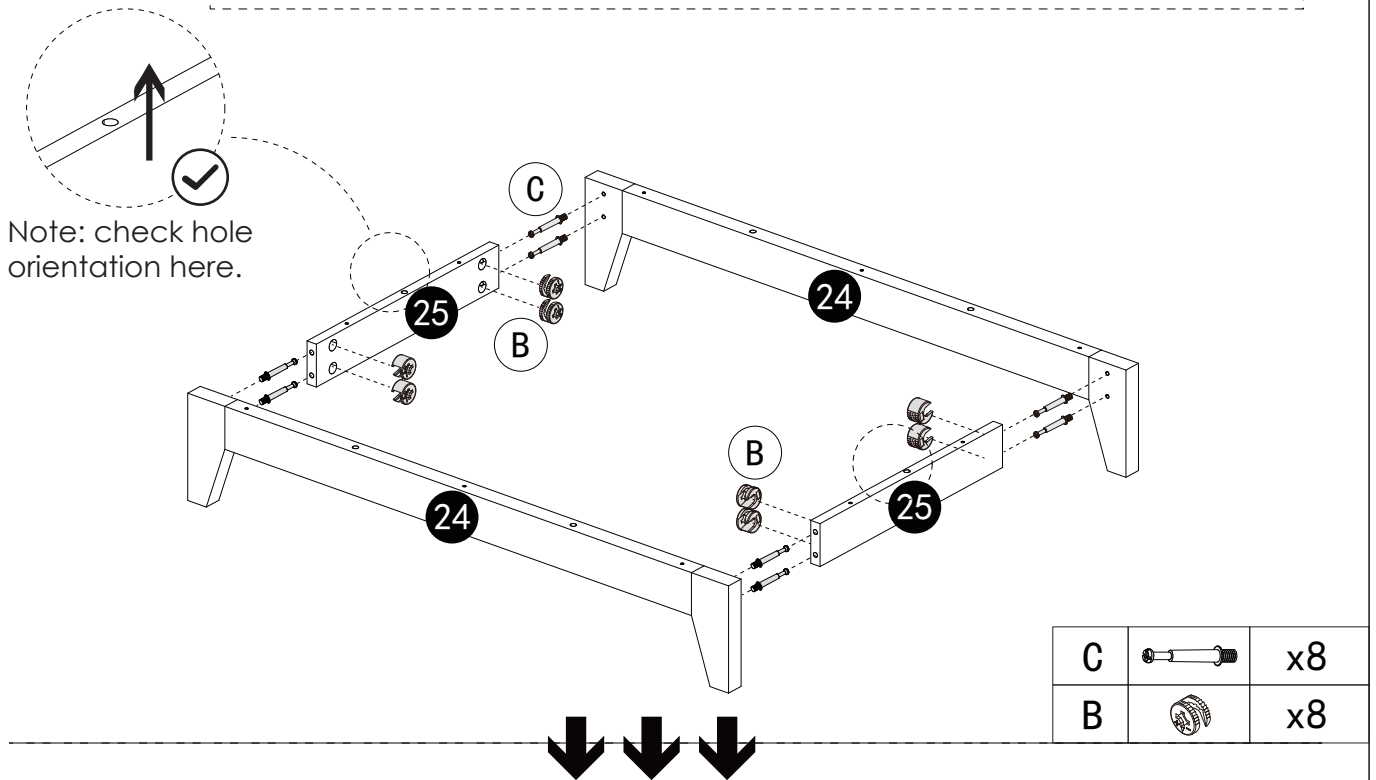
1. Install 3-in-1 Dowel A onto Panel 4.
2. Slide Thin Back Panel 10 into the slot.
3. Mount board 4 onto boards 5, 6, 7, and 9, and secure with 3-in-1 latch.



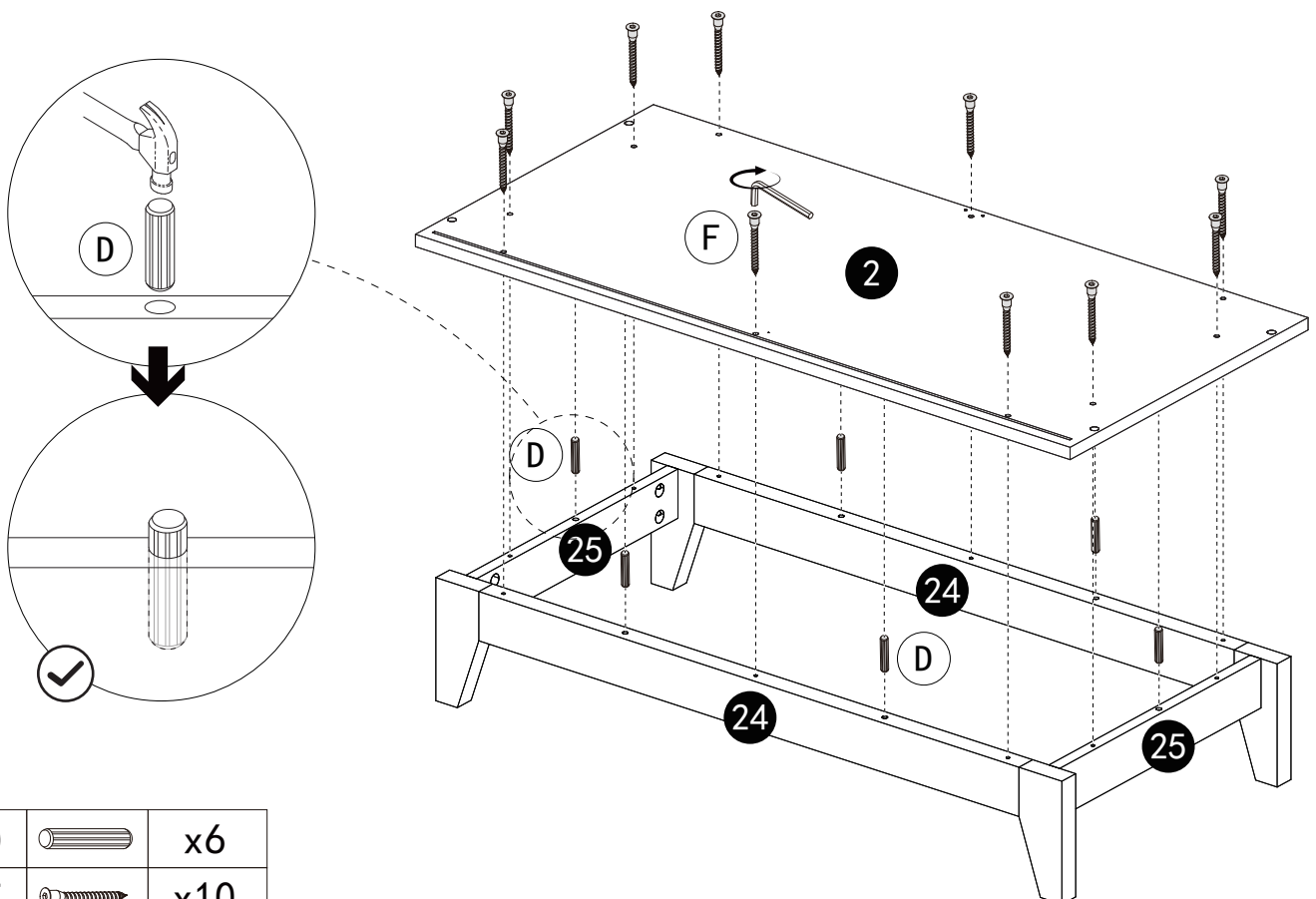
A		x8
B		x8

STEP 4

1. Install the 2-in-1 Dowel C onto Board 24.
2. Connect two Board 25 panels between Board 24 panels and secure with 3-in-1 Latch B.

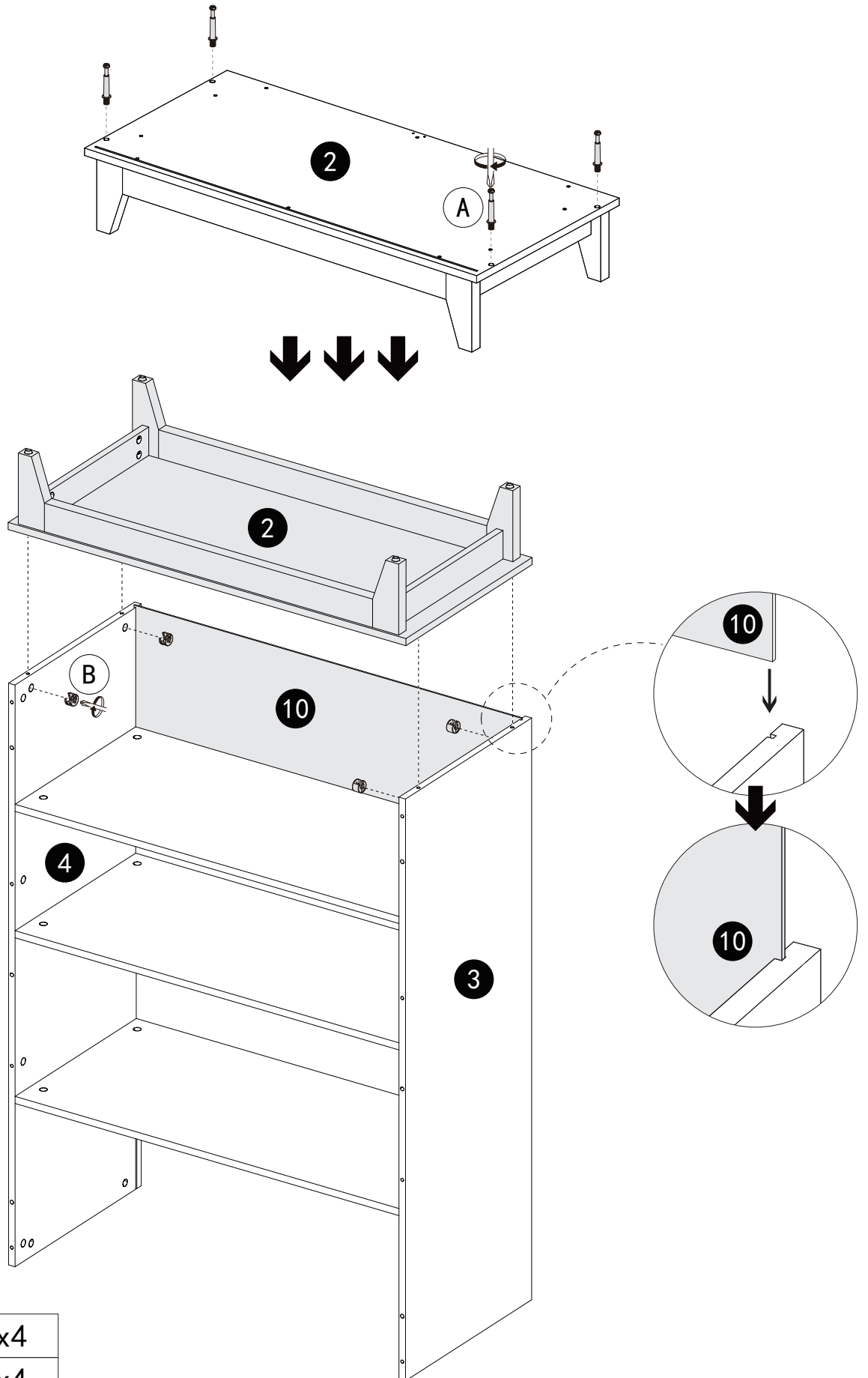


1. Install Wooden Dowel D onto Boards 24 and 25.
2. then thread through Board 2 to connect.



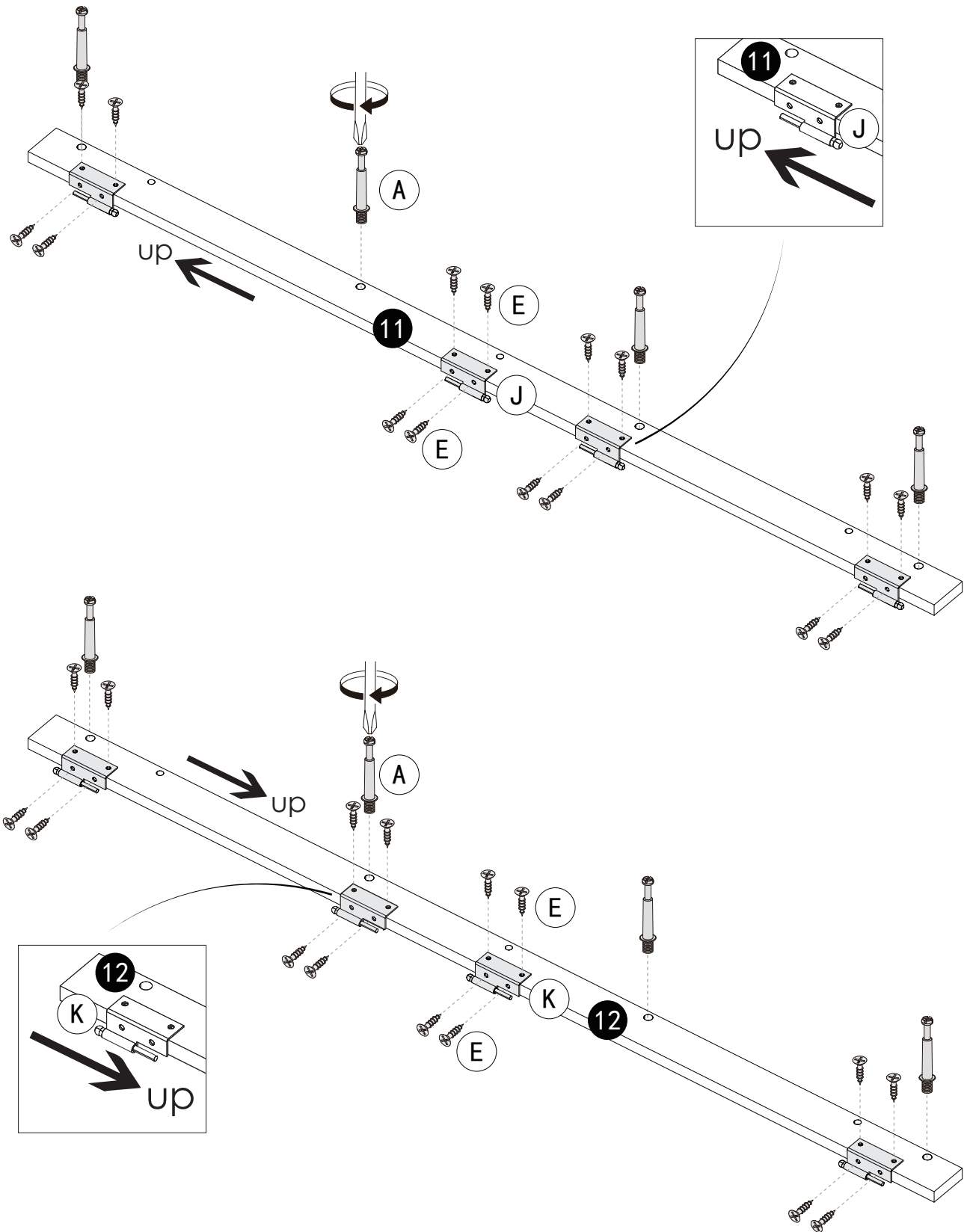
STEP 5



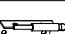

1. Install 3-in-1 Dowel A onto Board 2.
2. Slide Thin Back Panel 10 into the slot.
3. Boards 3 and 4 and lock tight with 3-in-1 Latch B.



STEP 6

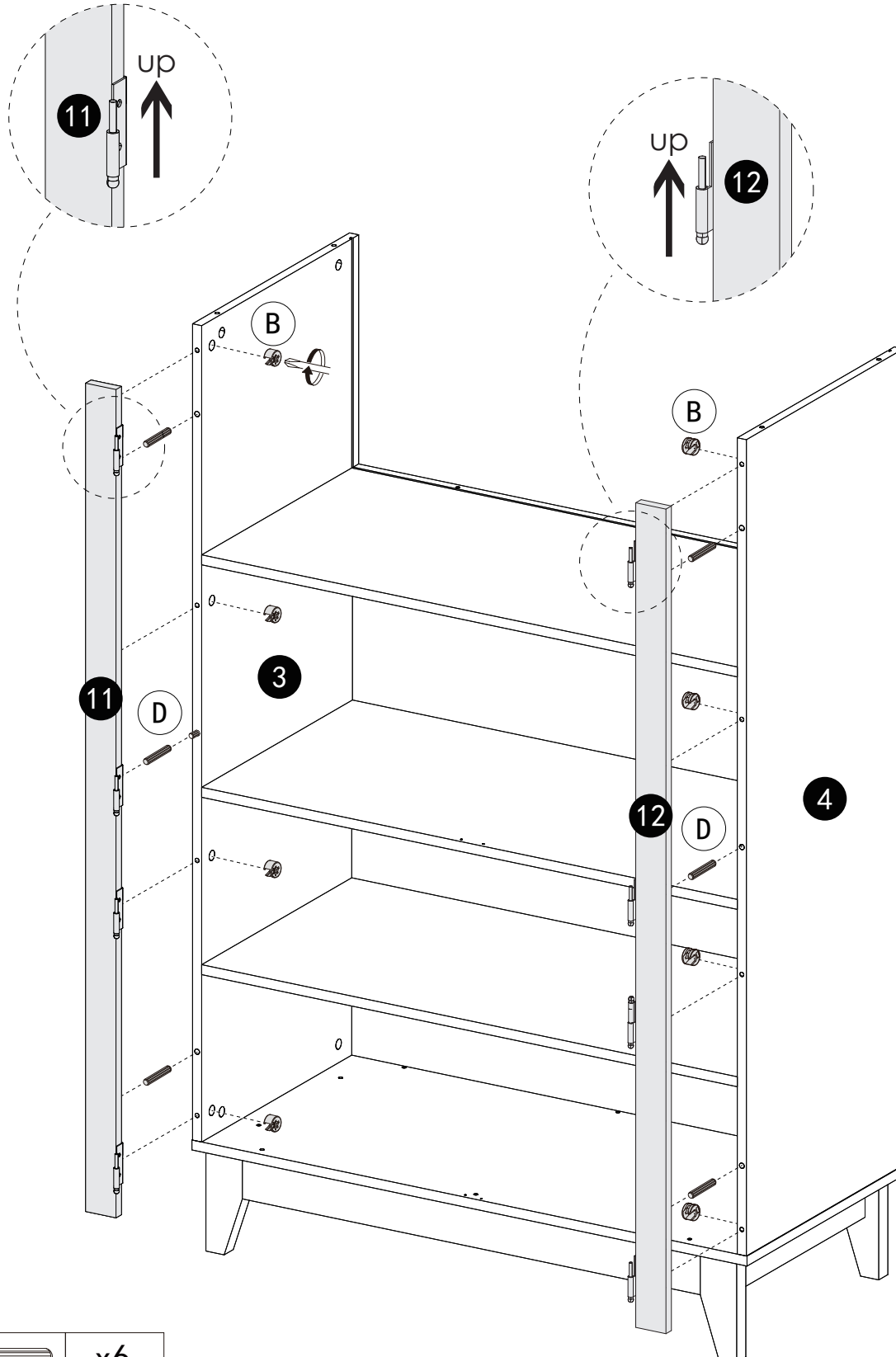
1. Secure accessory J to board 11 using self-tapping screw E, then install 3-in-1 dowel A.
2. Secure accessory K to board 12 using self-tapping screw E, then install 3-in-1 dowel A.





E		x32	A		x8
J		x4	K		x4

STEP 7

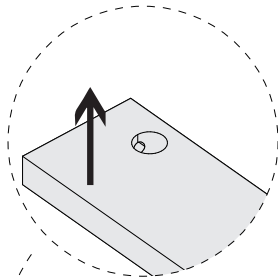
1. Position Wooden Dowel D on Side Panels 3 and 4.
2. Install Panel 11 onto Side Panel 3 and secure with the 3-in-1 Latch B.
3. Install Panel 12 onto Side Panel 4 and secure with the 3-in-1 Latch B.



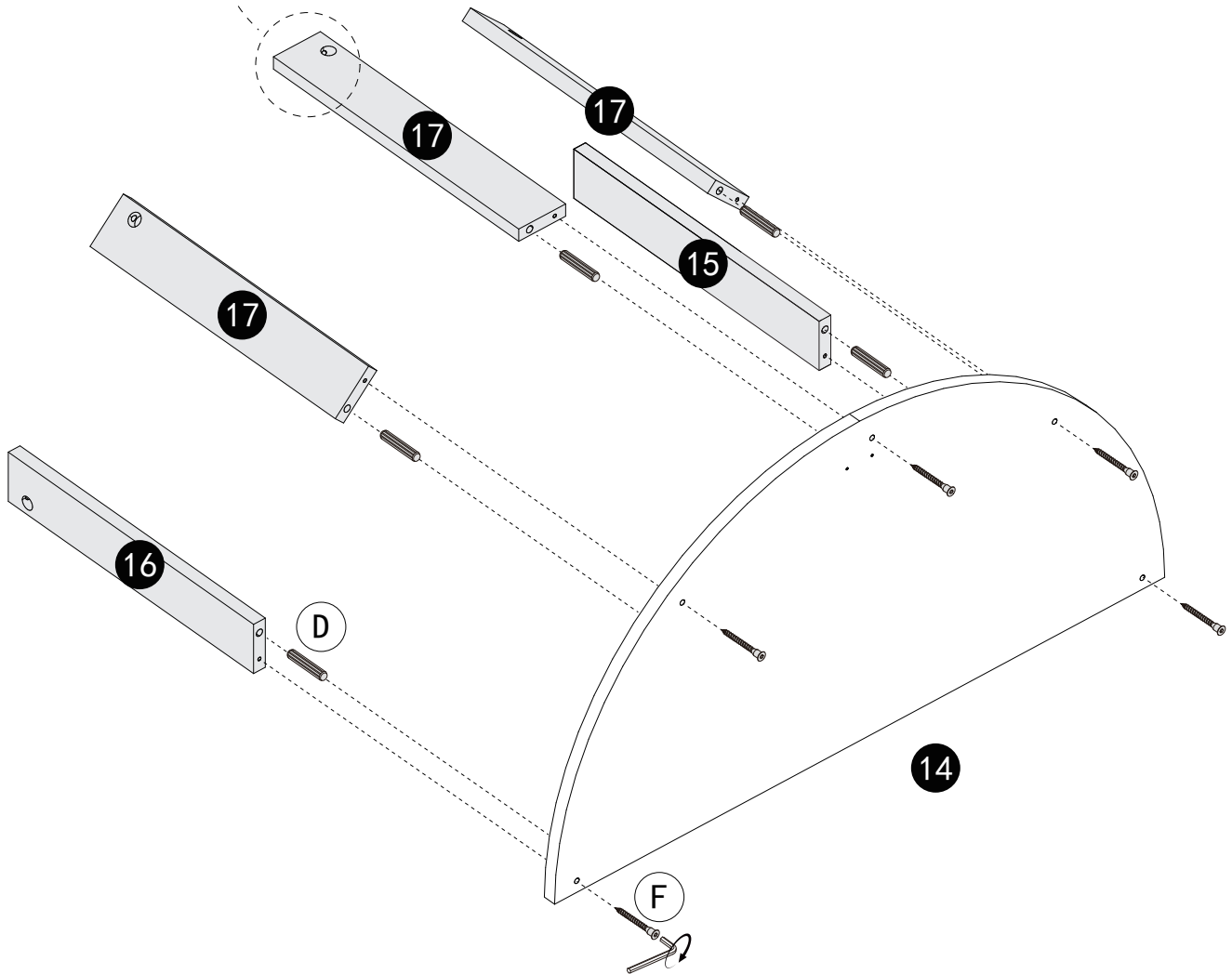
D		x6
B		x8



STEP 8

1. Install Wooden Dowel D on the side surfaces of Boards 15, 16, and 17.
2. Thread Rod F through Board 14 to connect Boards 15, 16, and 17.



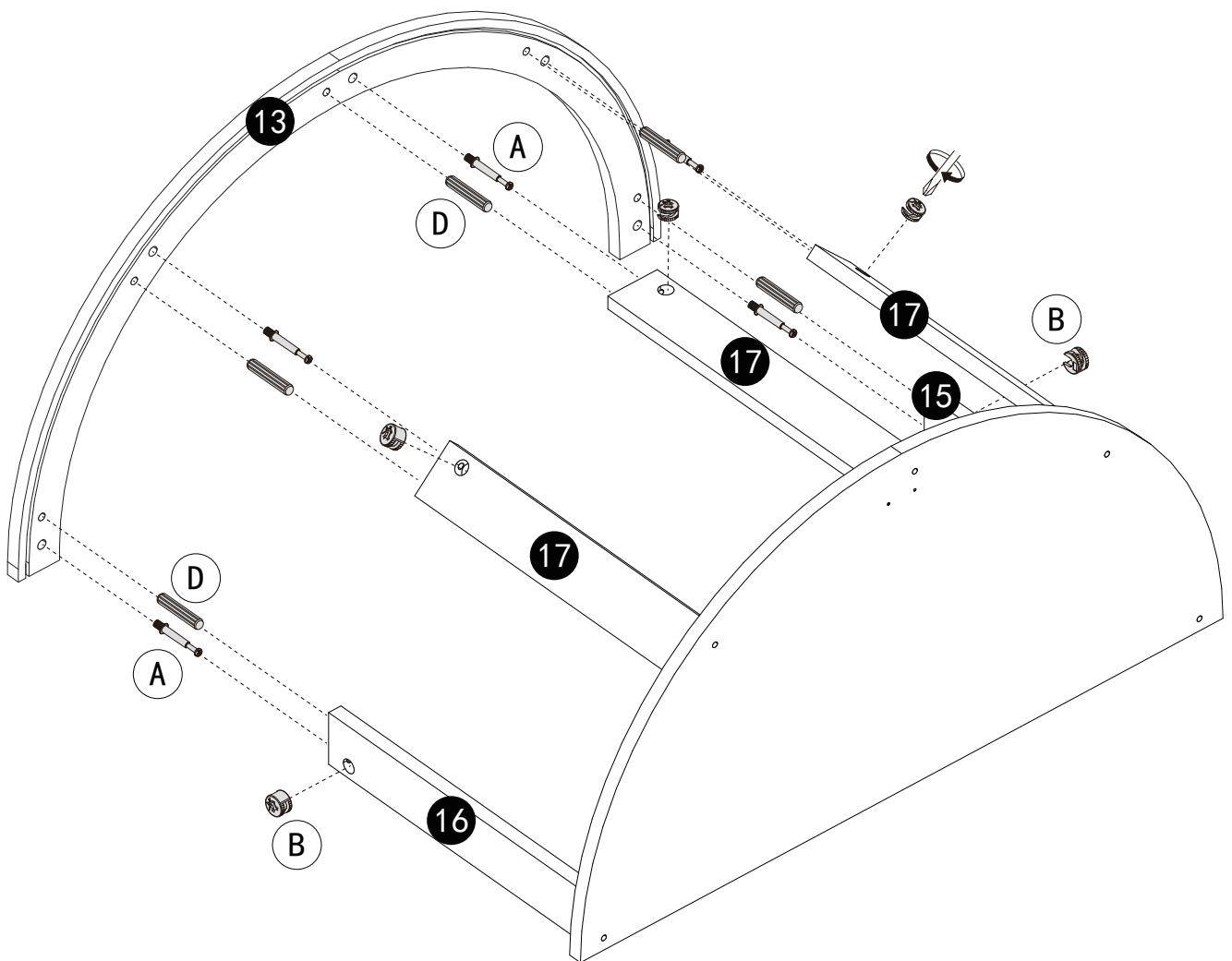
Note: Check Hole Alignment Here.

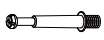




D		x5
F		x5

STEP 9

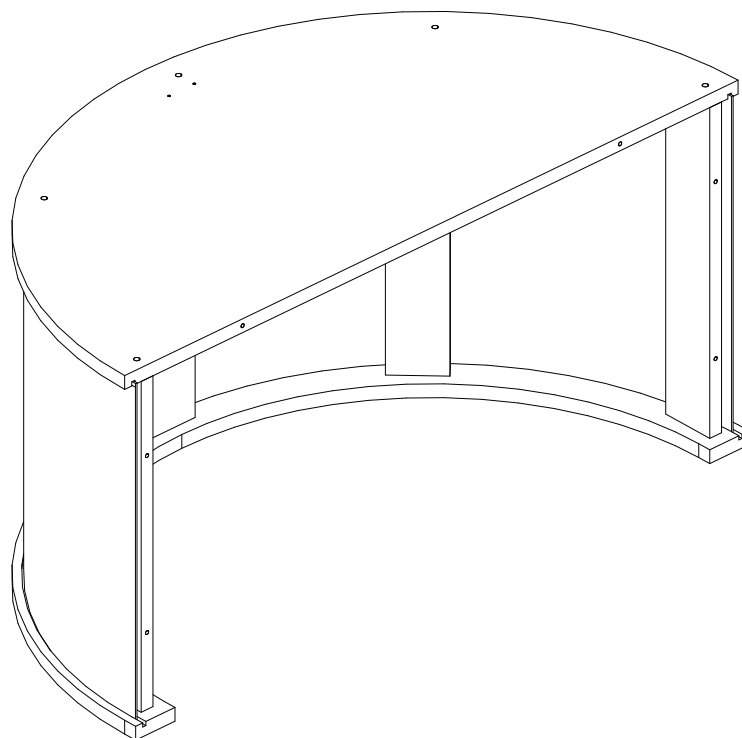
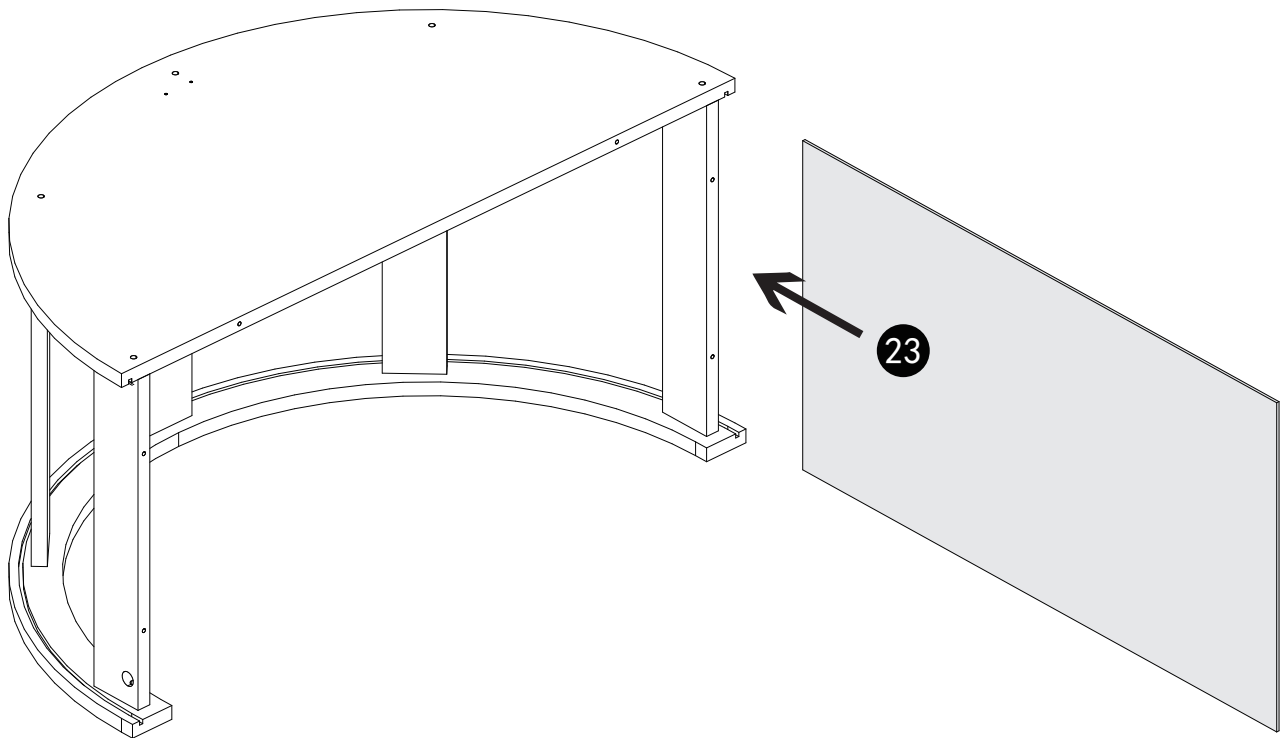
1. Install 3-in-1 Dowel A onto Board 13.
2. Join Board 13 with Boards 15, 16, and 17 and secure using 3-in-1 Latch B.



A		x5			
B		x5	D		x5

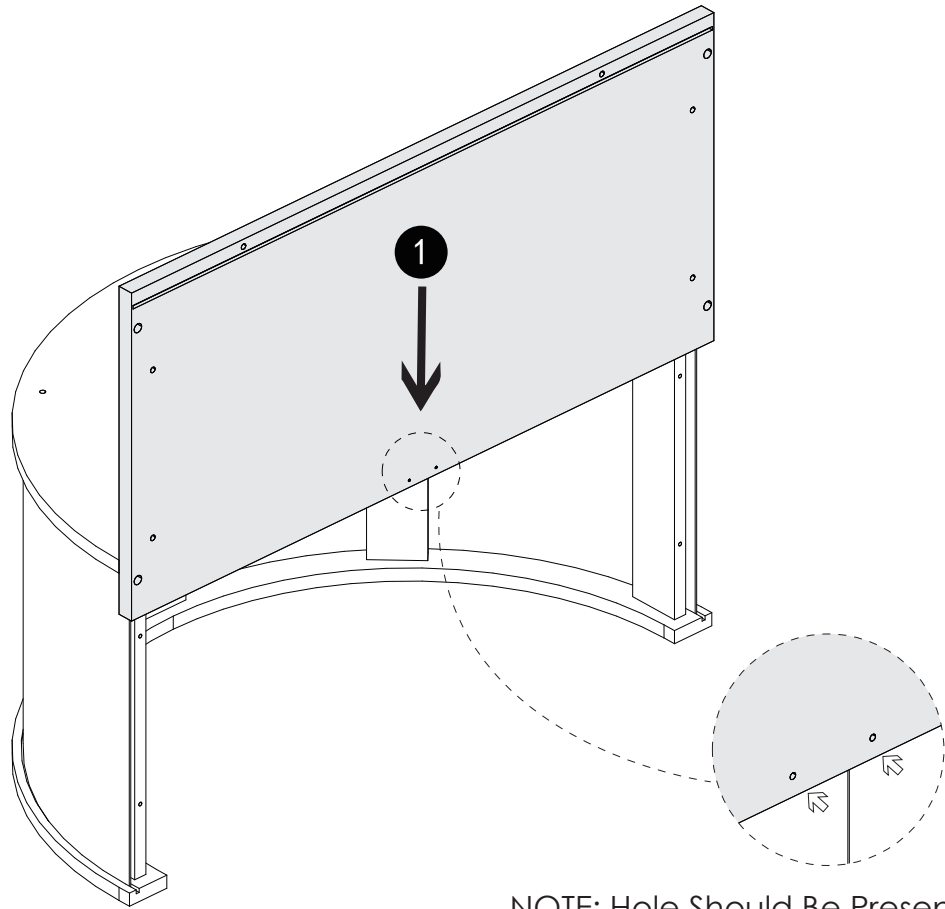
STEP 10

Slide Board 23 into the slot

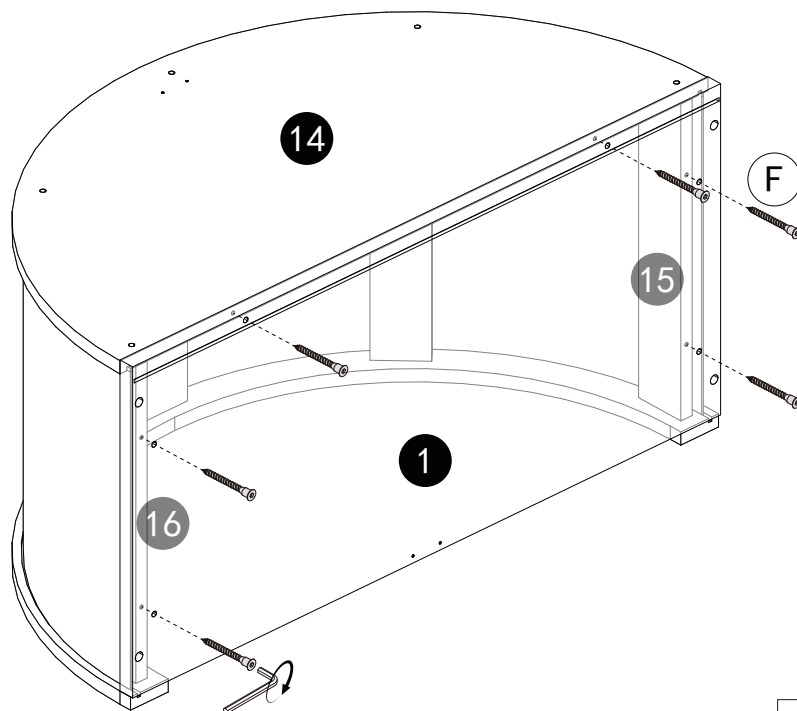


STEP 11

Align the double-side grooves of Board 1 with the edges of Board 23 and slide downward, then secure with Threaded Rod F.



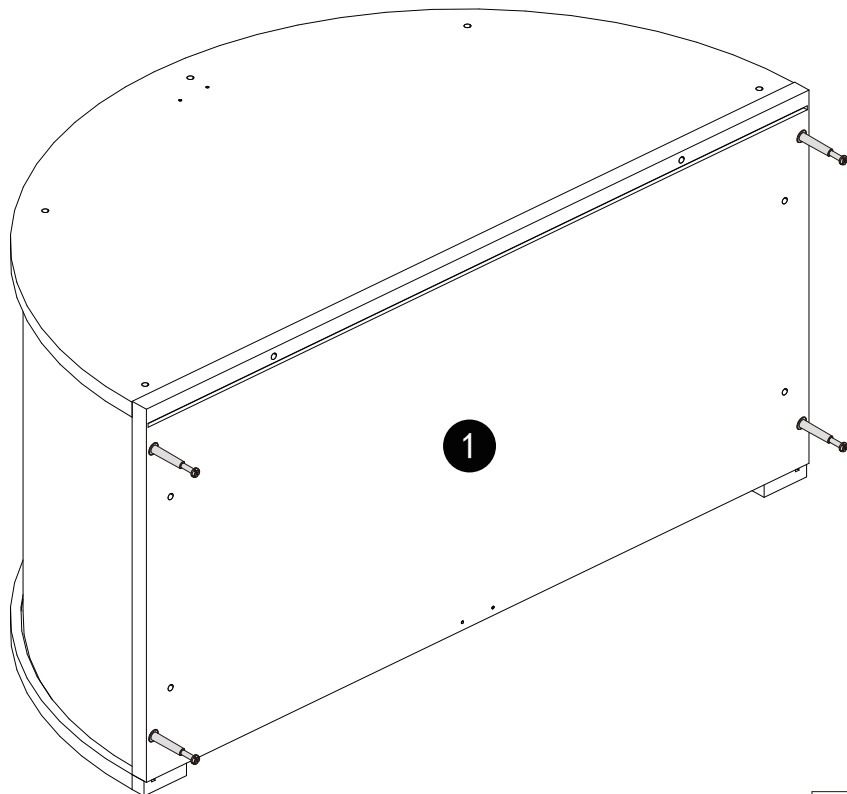
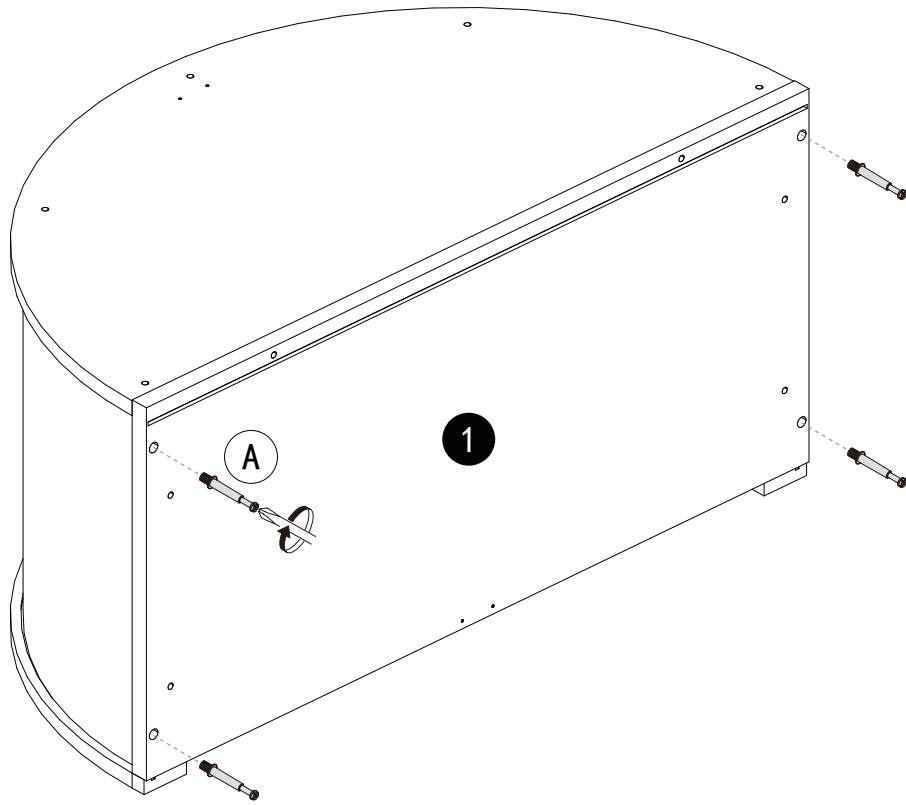
NOTE: Hole Should Be Present Here.

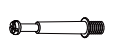


F		x6
---	---	----

STEP 12

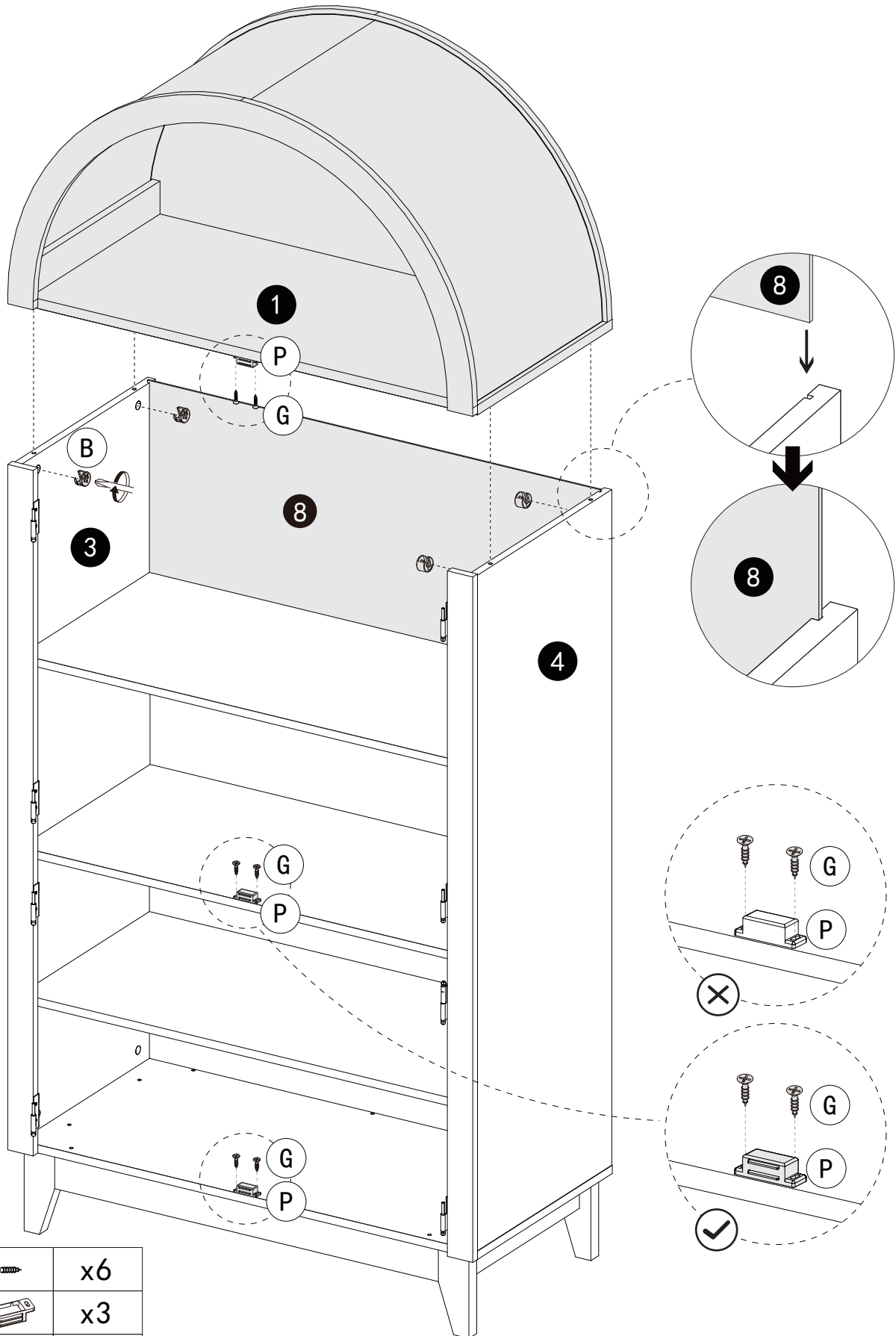
Install 3-in-1 Dowel A onto Board 1.






A		x4
---	---	----

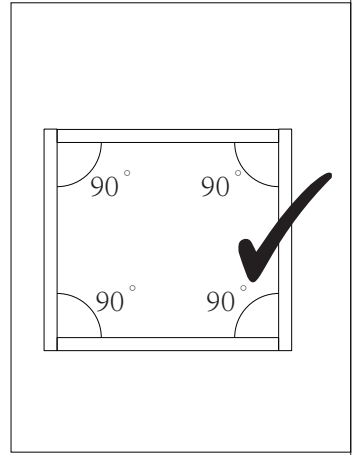
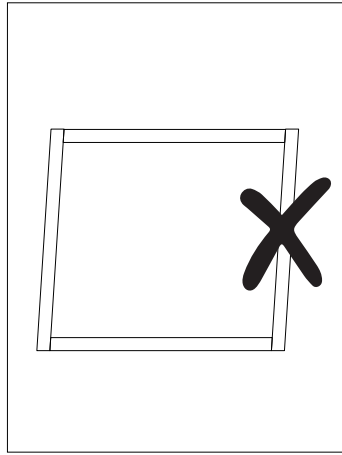
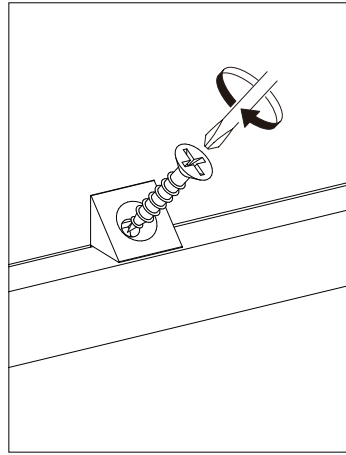
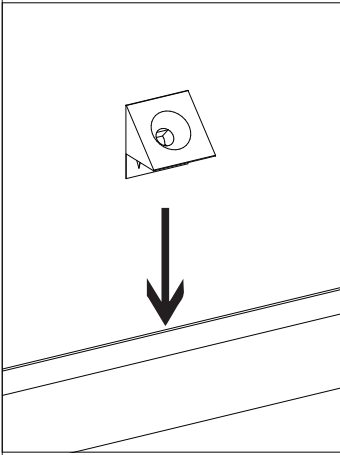
STEP 13

1. Secure accessory P to boards 1, 2, and 6 using self-tapping screw G.
2. Slide Thin Back Panel 8 into the slot.
3. Join Board 1 with Boards 3 and 4 and secure with 3-in-1 Latch B.

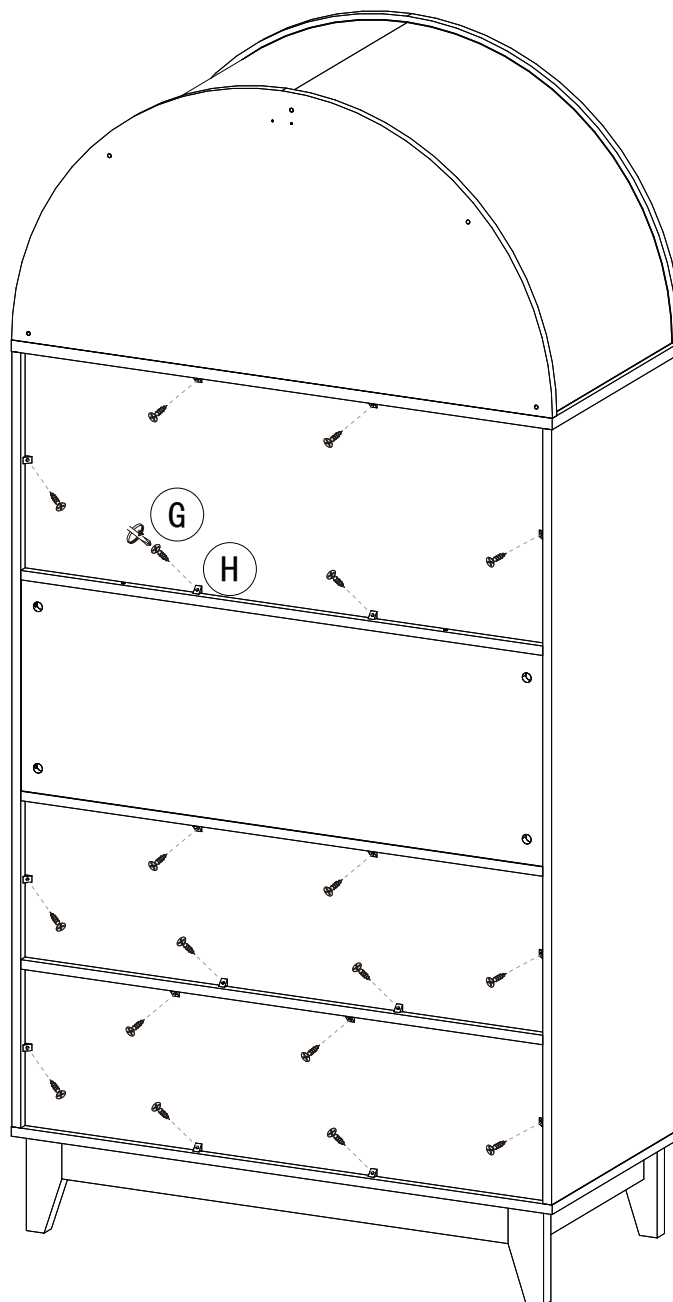


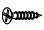

G		x6
P		x3
B		x4

STEP 14

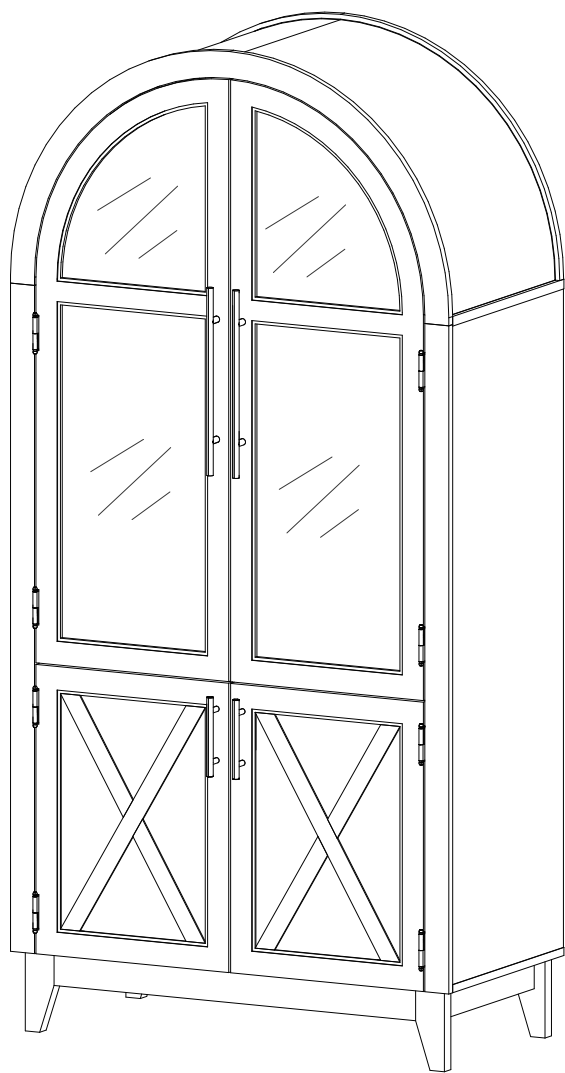


Note: Installation of Part H reinforces the cabinet structure.



G		x18
H		x18

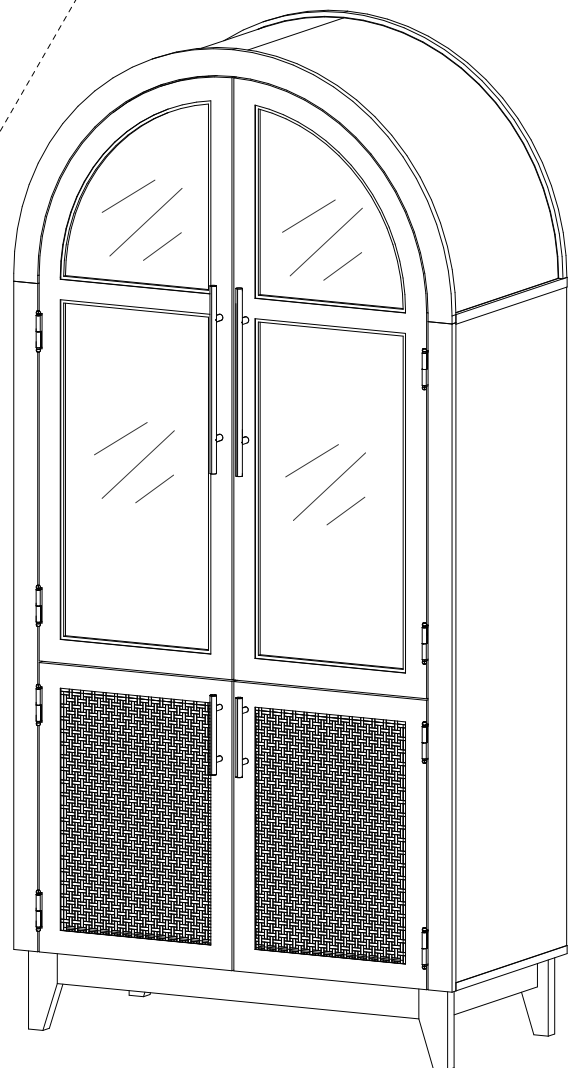
STEP 15



Form 1

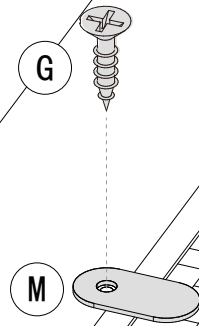
Can be assembled into **Form 1** and **Form 2** according to your needs

OR



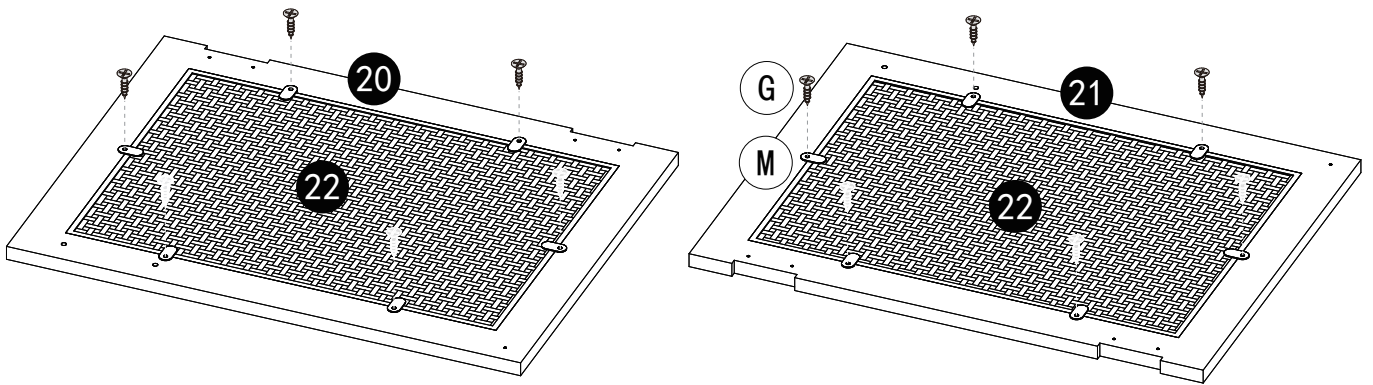
Form 2

STEP 16



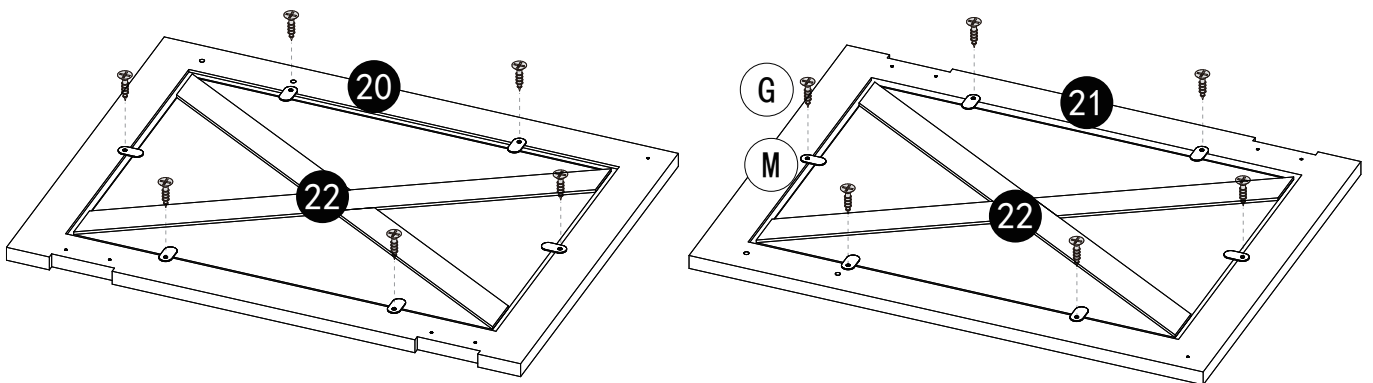
Setzen Sie Platte 22 in die Nut 20 ein und befestigen Sie Zubehör M mit Selbstschraube G.



Form 1



OR

Form 2

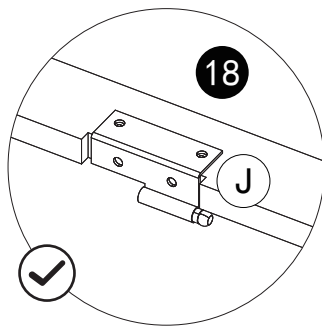
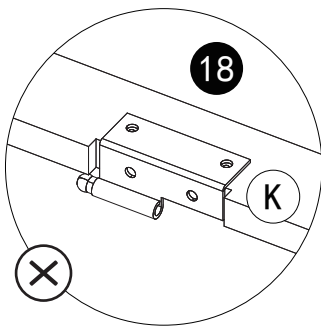
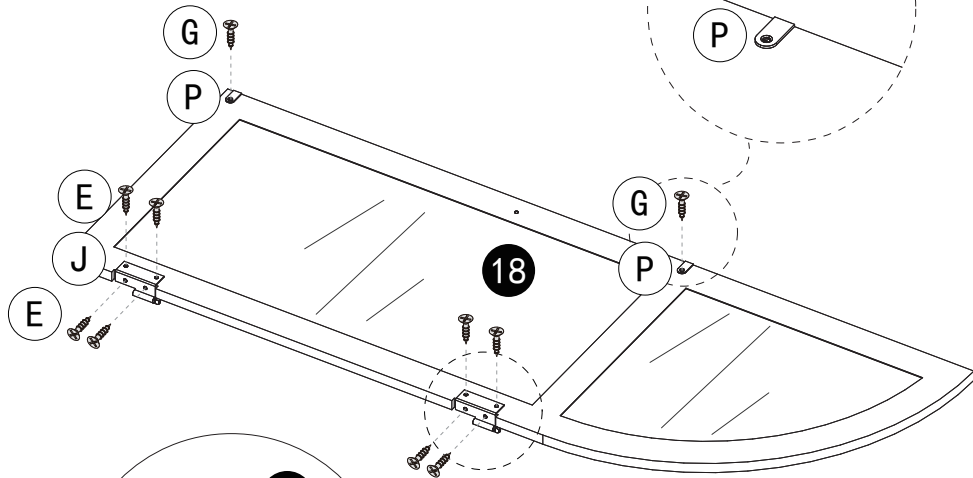


G		x18
H		x18

STEP 17

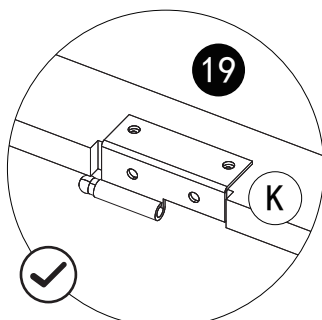
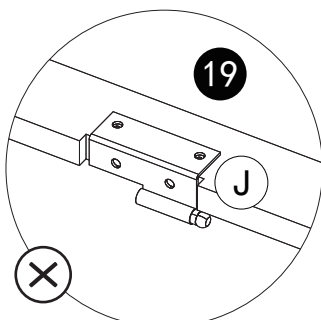
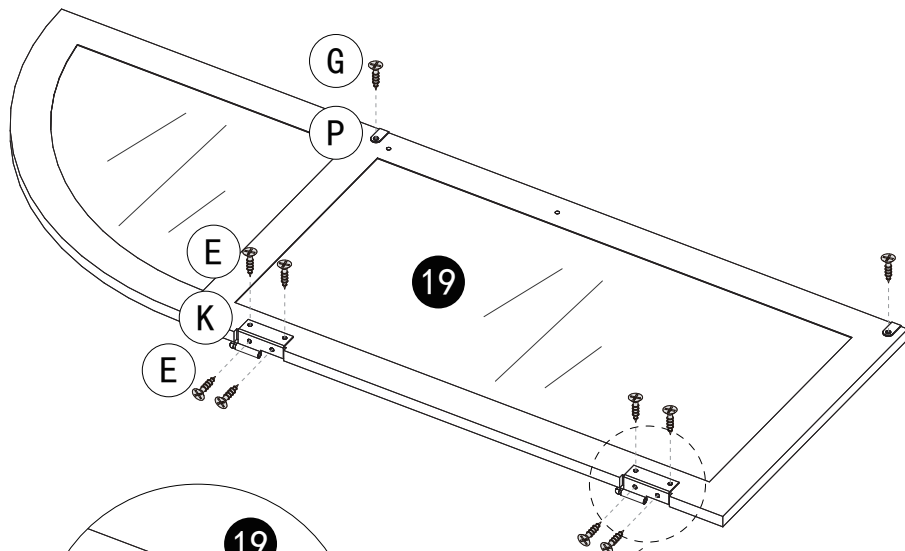
Secure accessory J with self-tapping screw E.
Secure accessory P with self-tapping screw G.

Align the straight edge of Accessory P with the panel edge.



E		x8	G		x2
J			P		

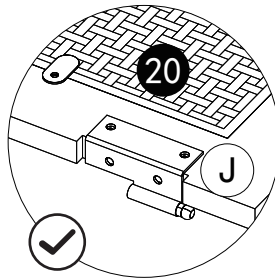
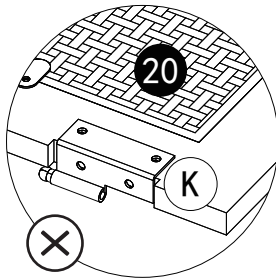
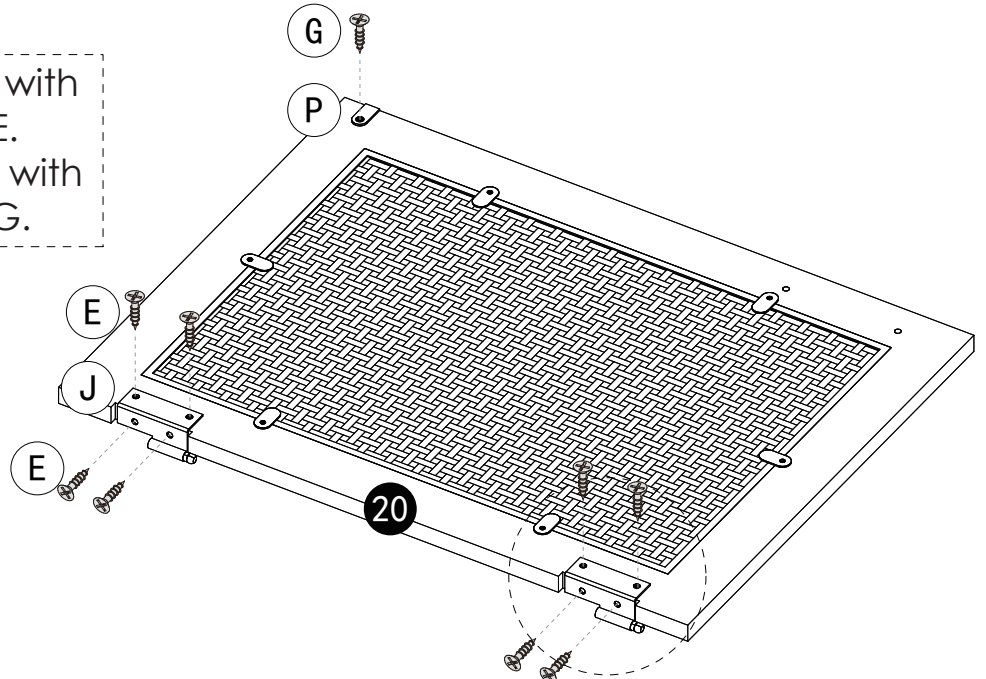
Secure accessory K with self-tapping screw E.
Secure accessory P with self-tapping screw G.



E		x8	G		x2
K			P		

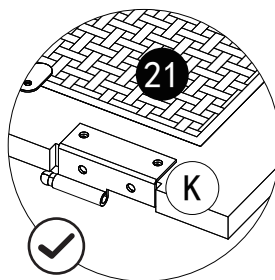
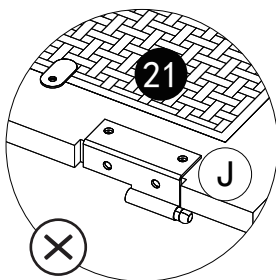
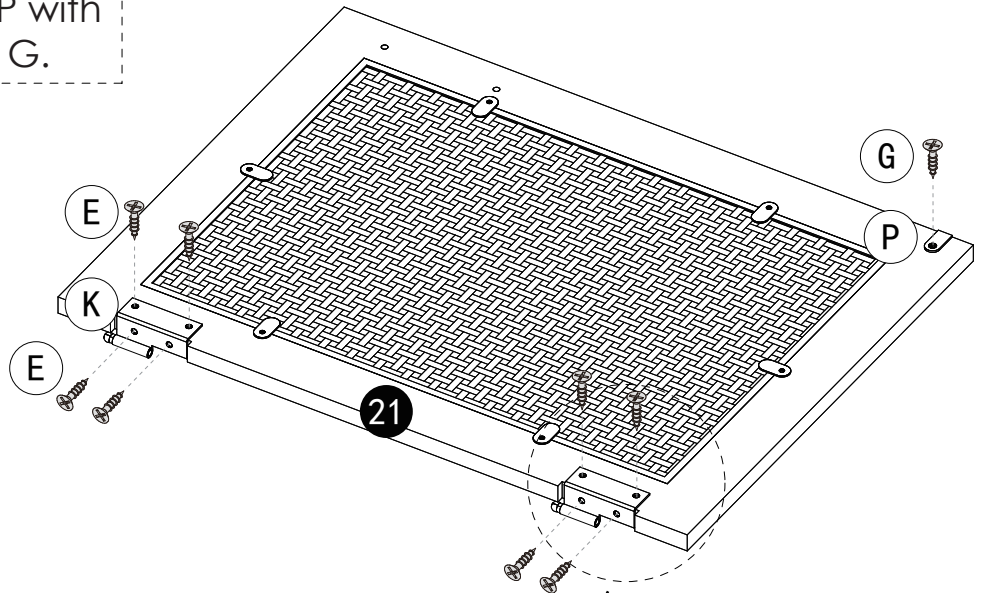
STEP 18

Secure accessory J with self-tapping screw E.
Secure accessory P with self-tapping screw G.

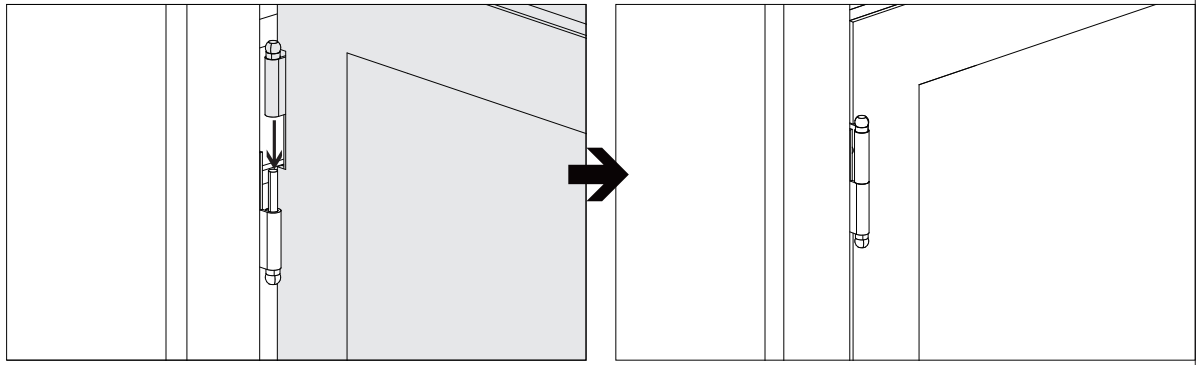


E		x8	G		x2
J			P		

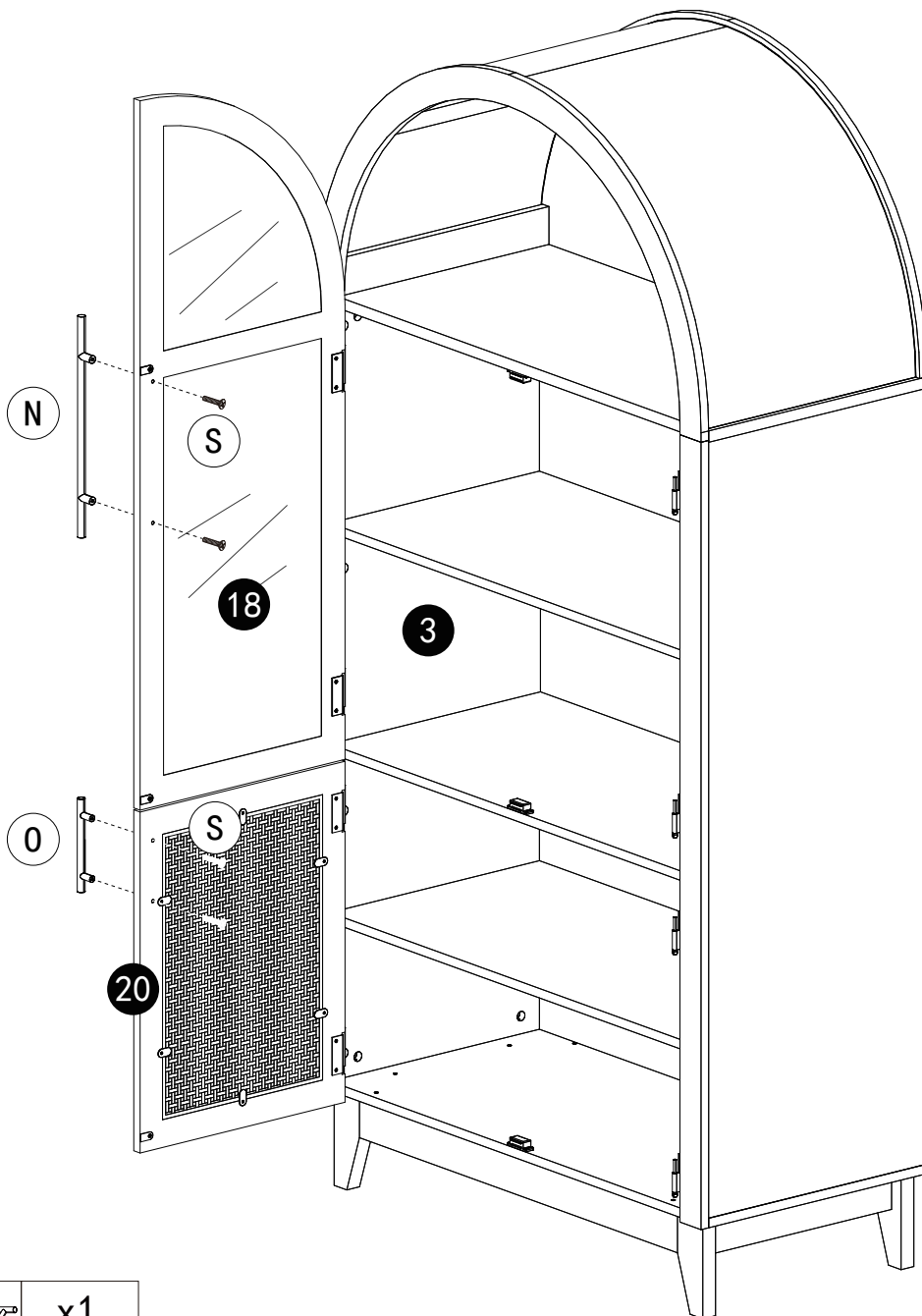
Secure accessory K with self-tapping screw E.
Secure accessory P with self-tapping screw G.






E		x8	G		x2
K			P		

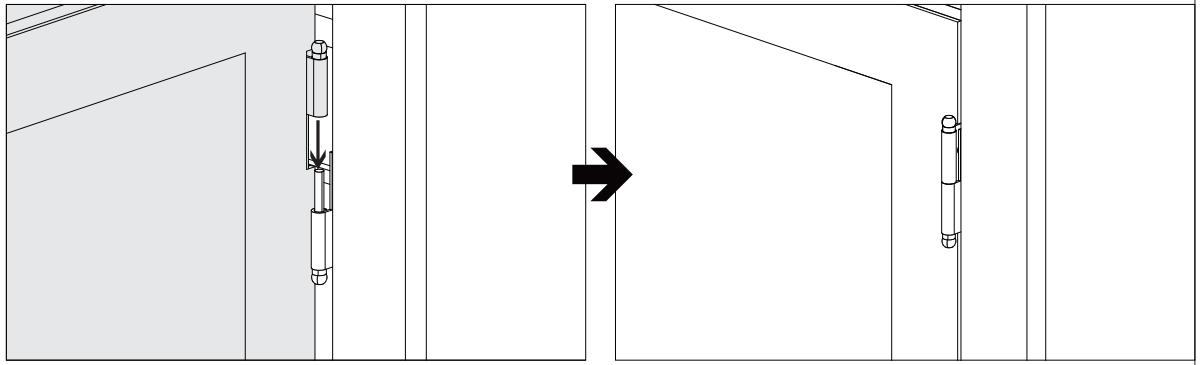
STEP 19

1. As illustrated, align and join the door hinge leaf to the cabinet hinge leaf.
2. Mount handle N onto door panel 18 using fastening screw S.
3. Mount handle O onto door panel 20 using fastening screw S.

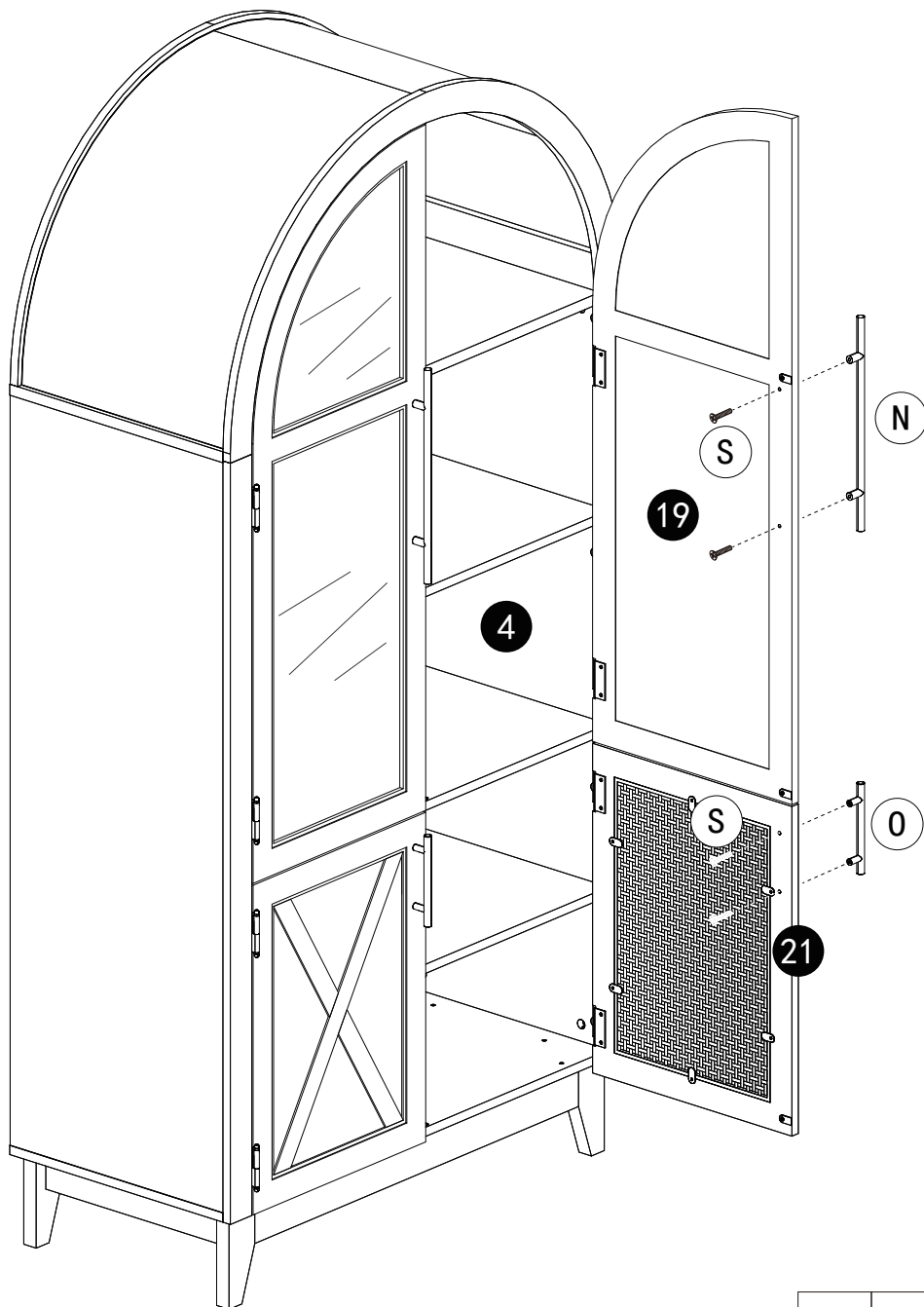


N		x1			
O		x1	S		x4

STEP 20



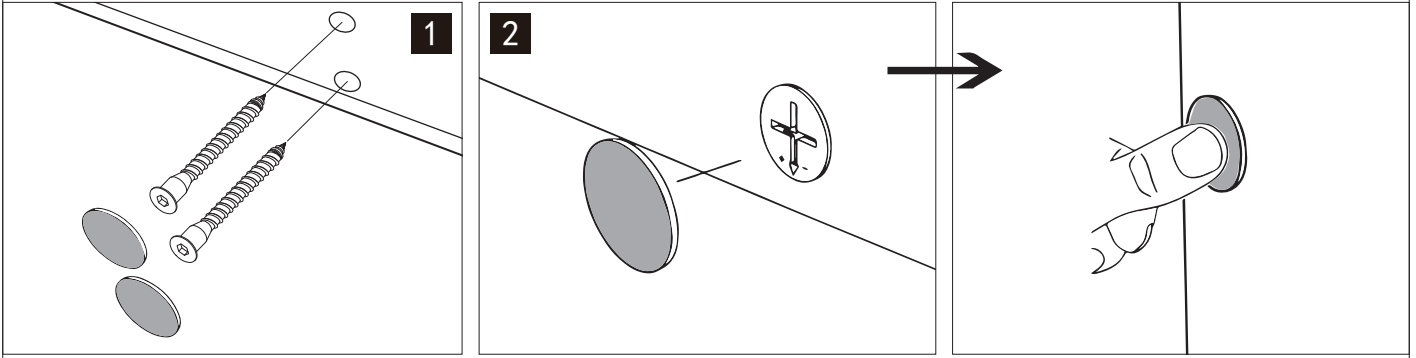
1. As illustrated, align and join the door hinge leaf to the cabinet hinge leaf.
2. Mount handle N onto door panel 18 using fastening screw S.
3. Mount handle O onto door panel 21 using fastening screw S.



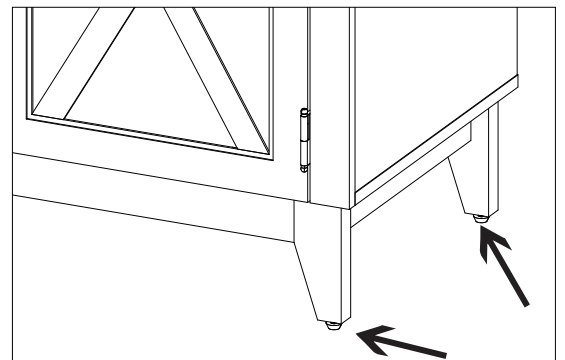
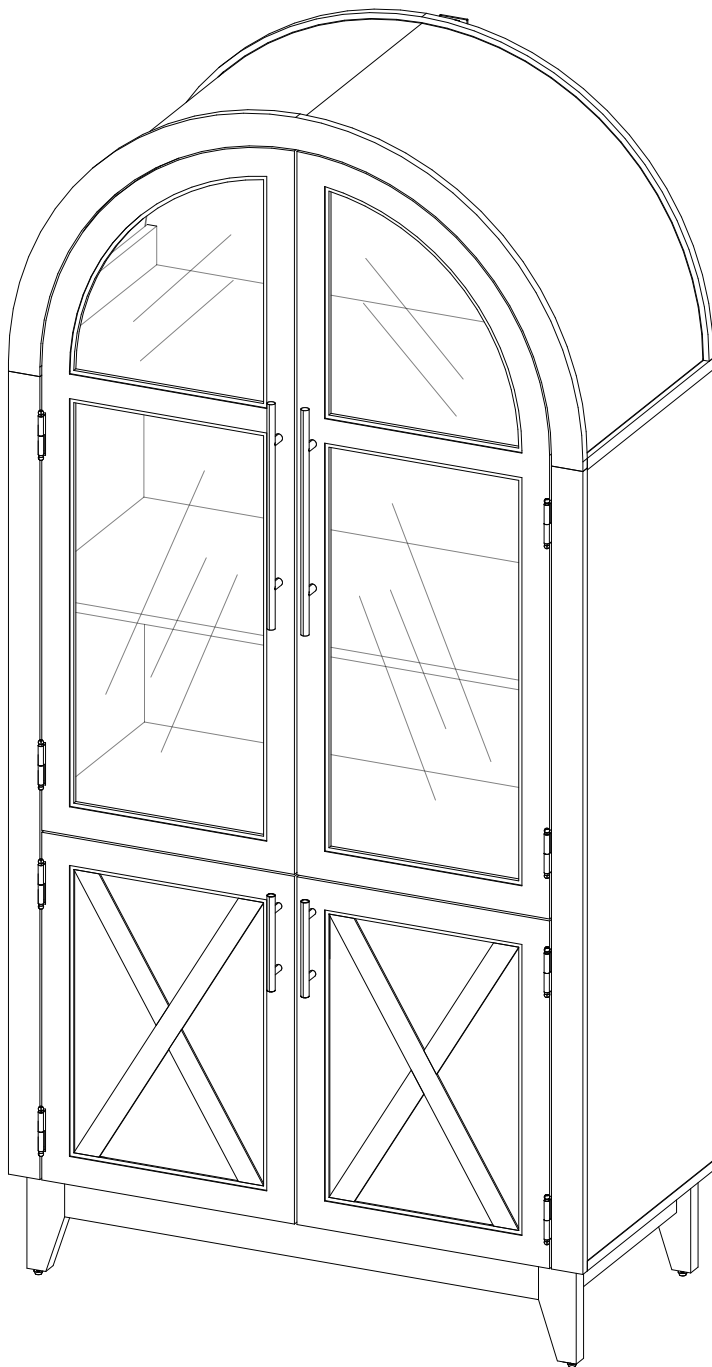
N		x1
S		x4
O		x1

STEP 21**YOU WILL NEED**

L x38



Add L fittings to all exposed holes on the front of the product



△ When the floor is uneven, adjust the leveling feet until the cabinet is level.

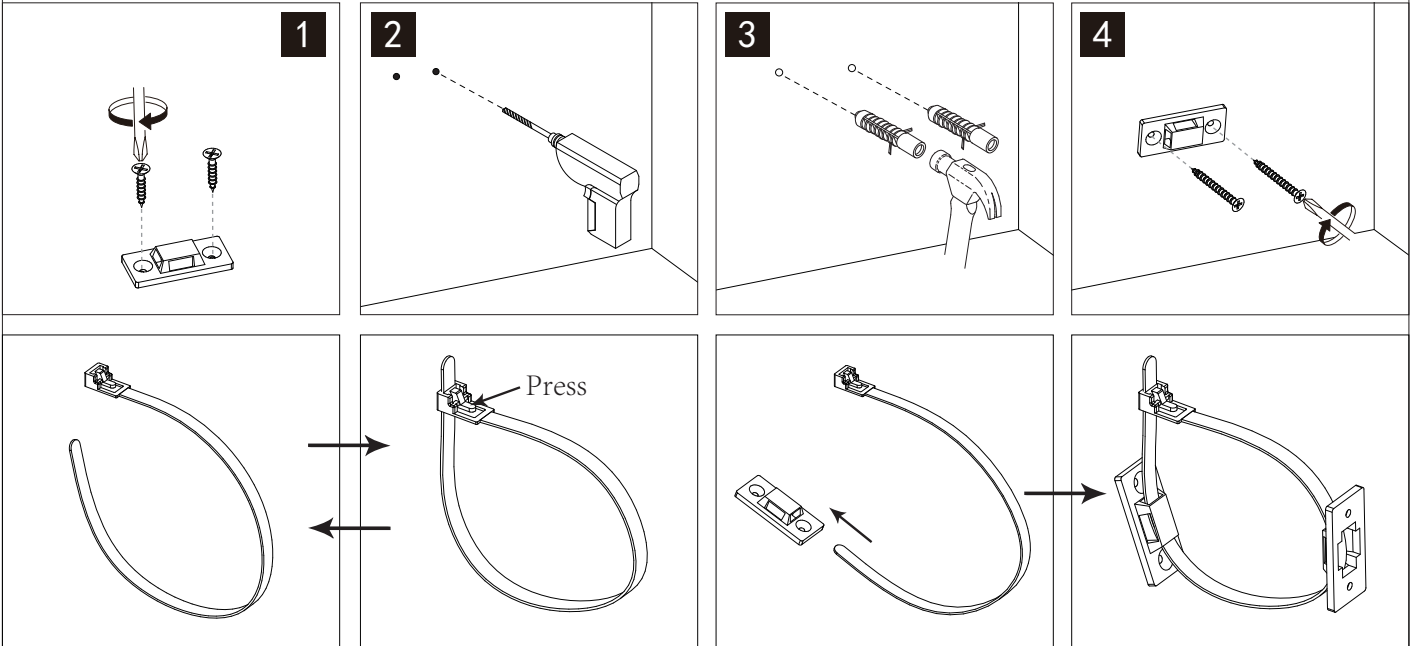
L



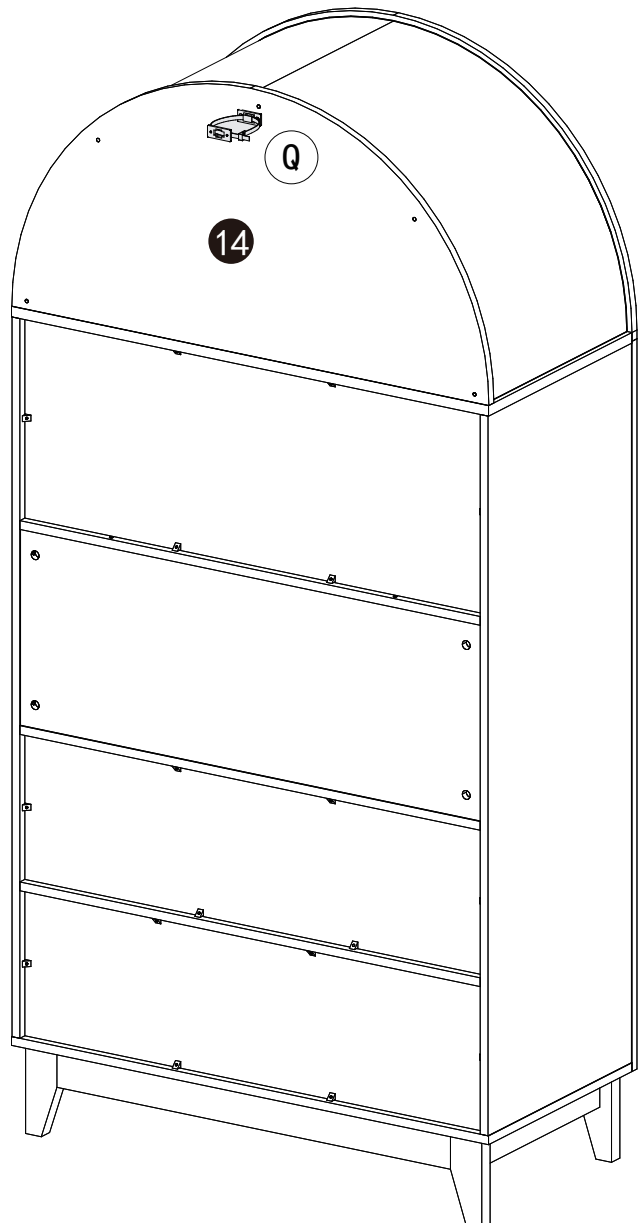
x38

STEP 22**YOU WILL NEED**

Q x1



1. Install the plastic component onto board **14** using self-tapping screws.
2. Drill holes at appropriate wall locations and insert expansion anchors.
3. Secure the plastic component to wall expansion anchors using threaded rods.
4. Connect the cabinet body to the wall with cable ties.

Q  x1

Warning:

Seller is responsible for the product-related issues occurred upon receipt, but will not be responsible for the personal injury, property damage or loss resulting from the incorrect assembly, improper use, inadequate maintenance or neglect of this product.