






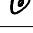

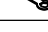

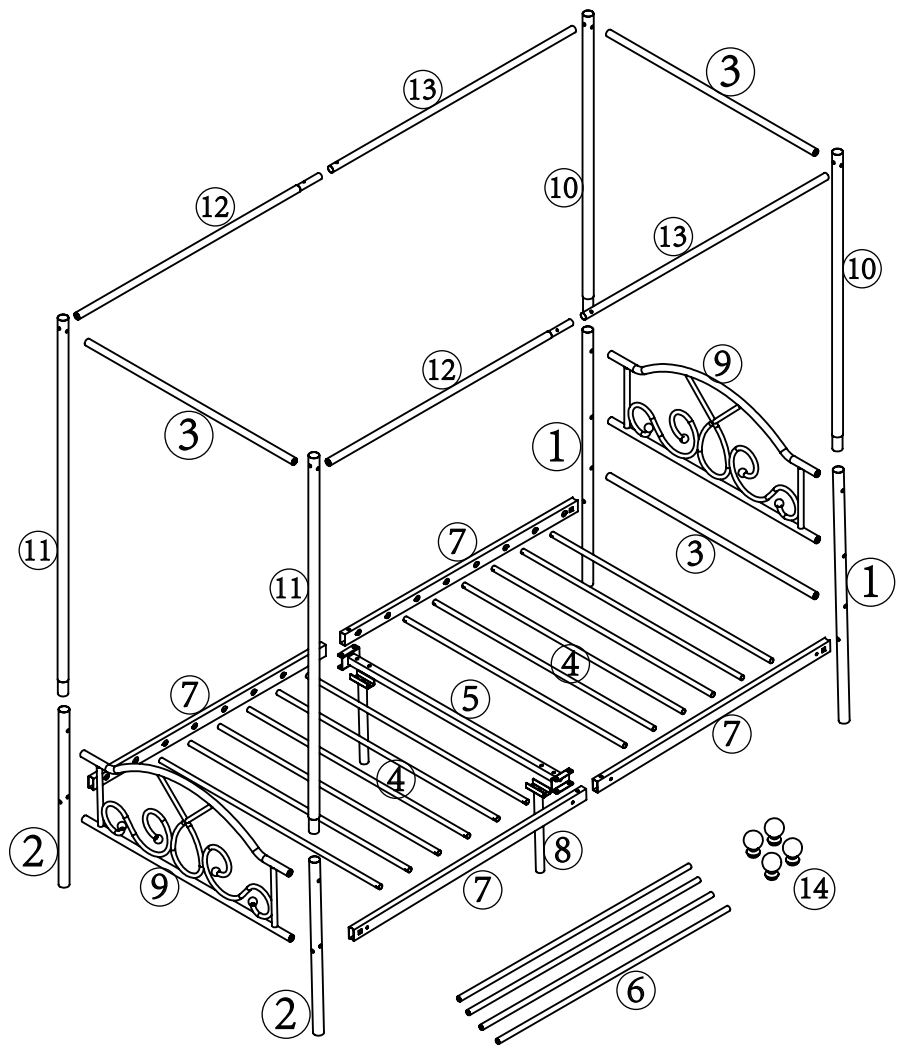
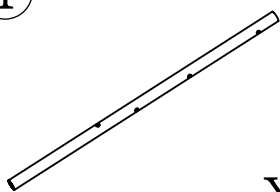
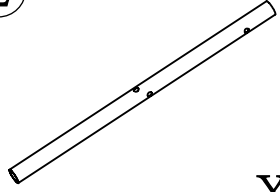
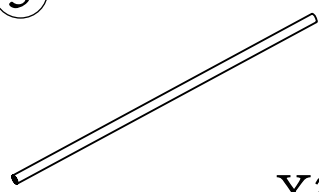
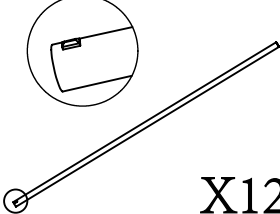
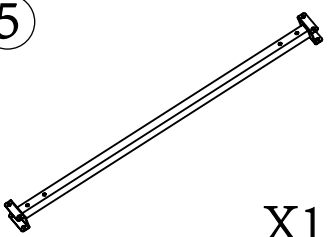
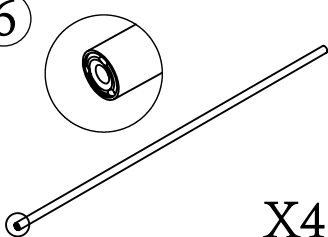
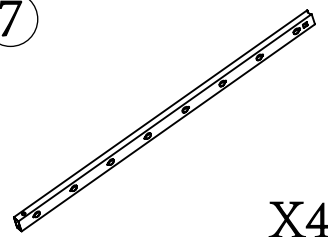
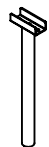
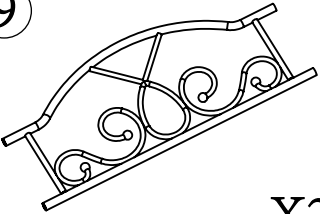
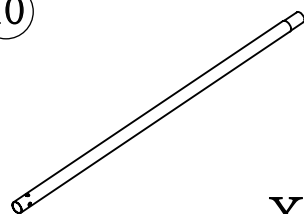
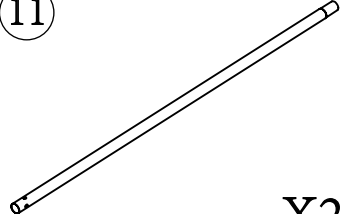
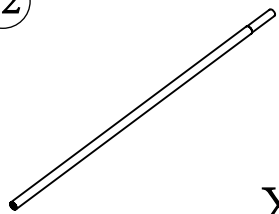
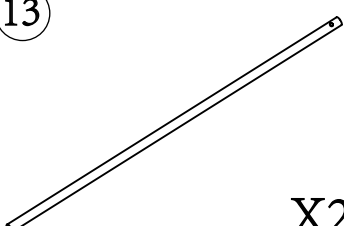
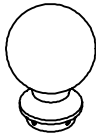
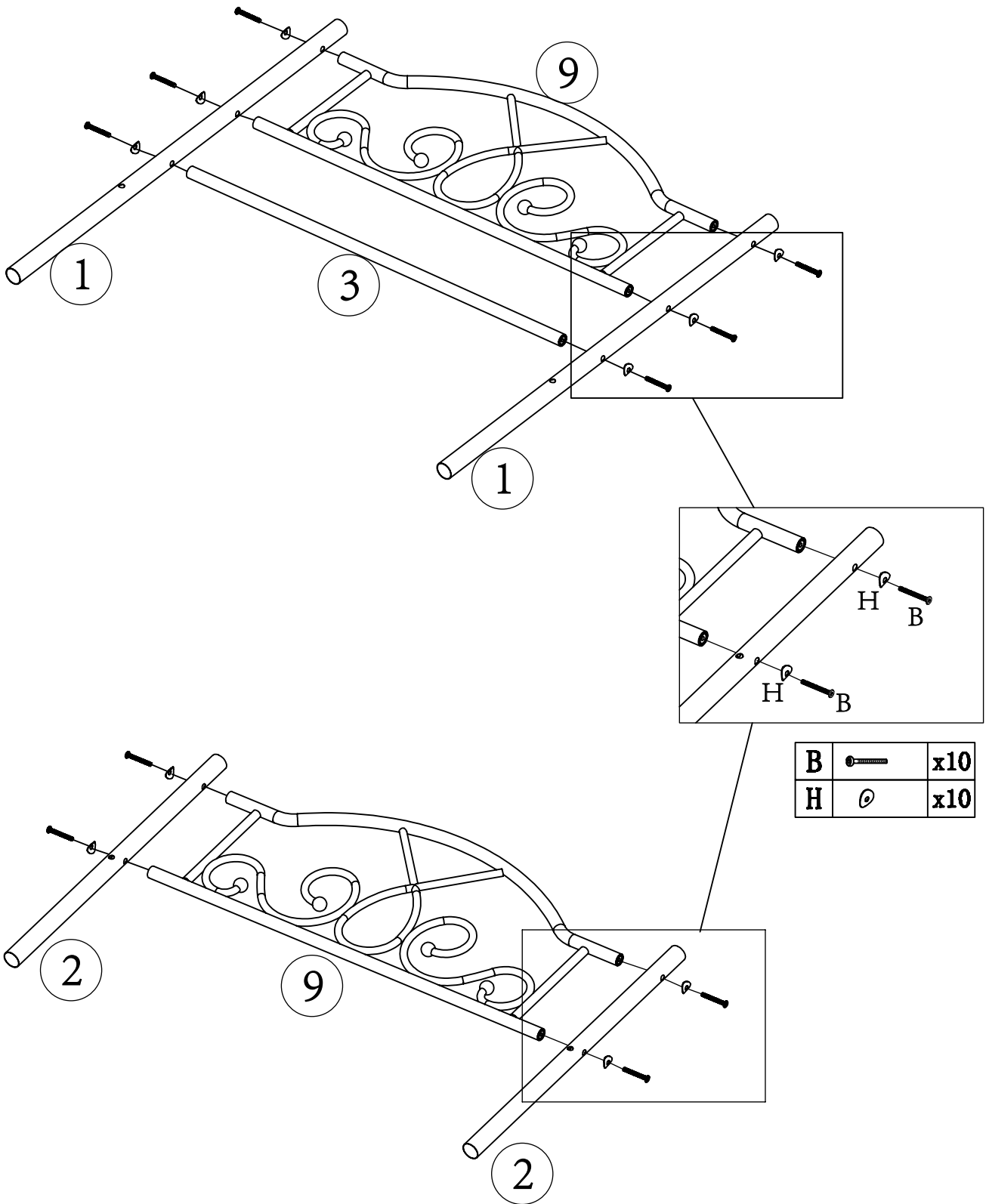


A		M8x65mm	x4
B		M6x50mm	x22
C		M6x35mm	x4
D		M6x20mm	x8
E		M6x15mm	x2
F			x4
G		M6	x8
H		M8	x22
I		M6	x1
J			x1
K		M8	x1



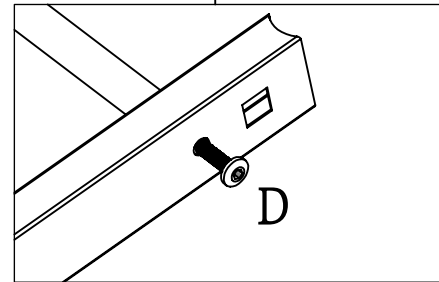
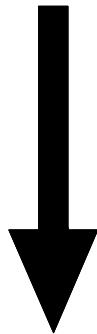
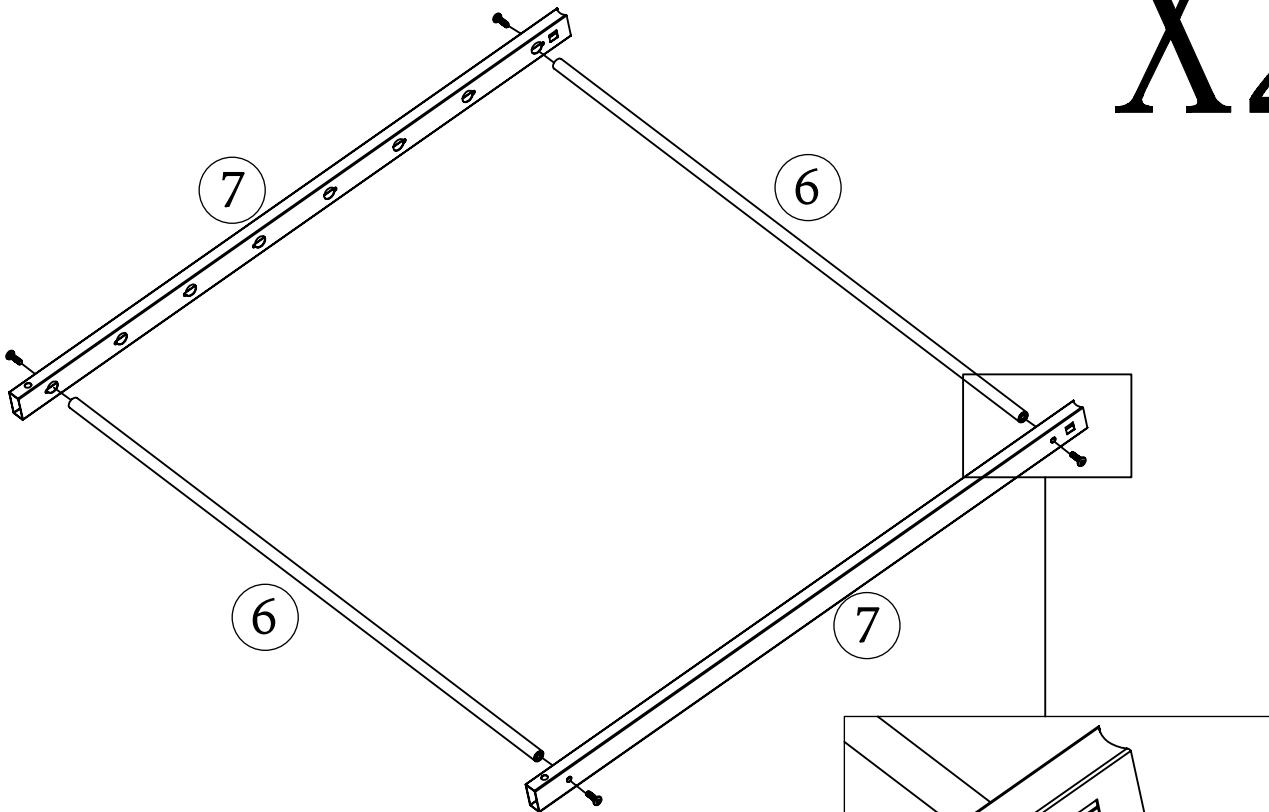
①  X2	②  X2	③  X3	④  X12
⑤  X1	⑥  X4	⑦  X4	⑧  X2
⑨  X2	⑩  X2	⑪  X2	⑫  X2
⑬  X2	⑭  X4		


STEP 1



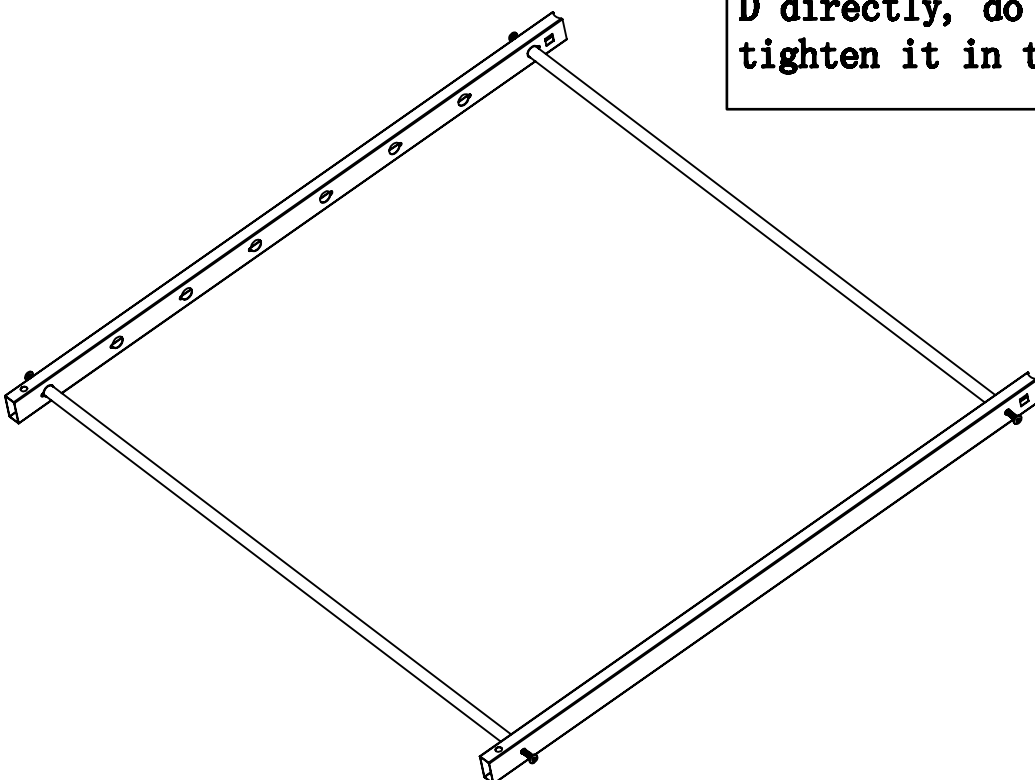
STEP 2

X2



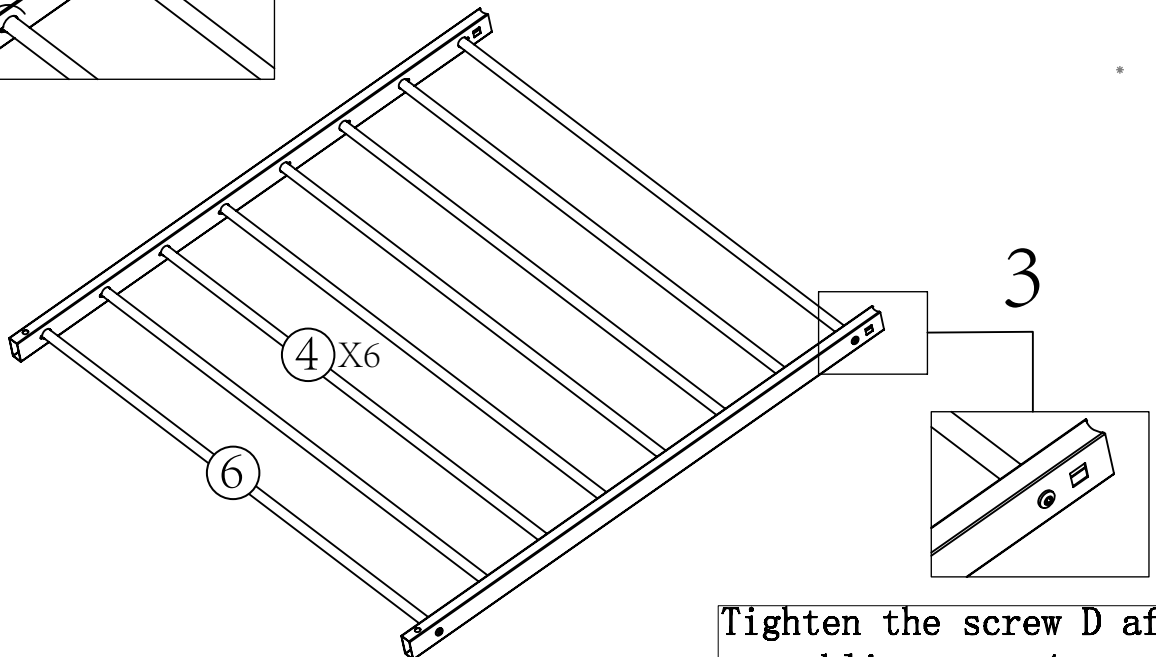
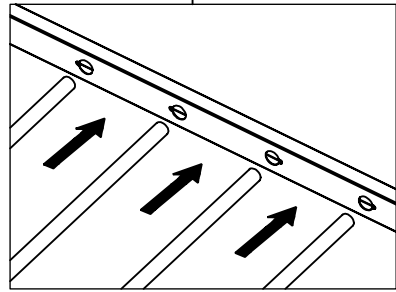
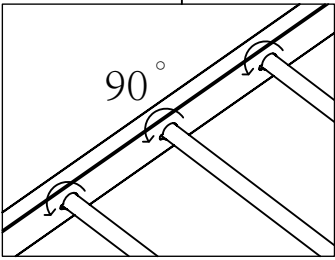
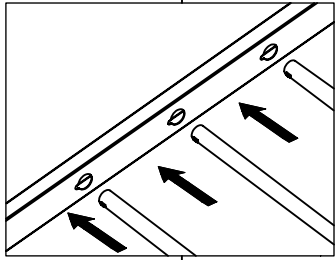
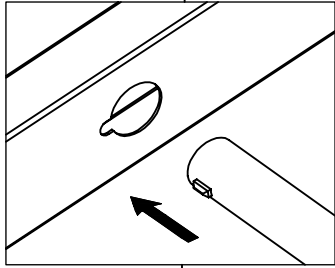
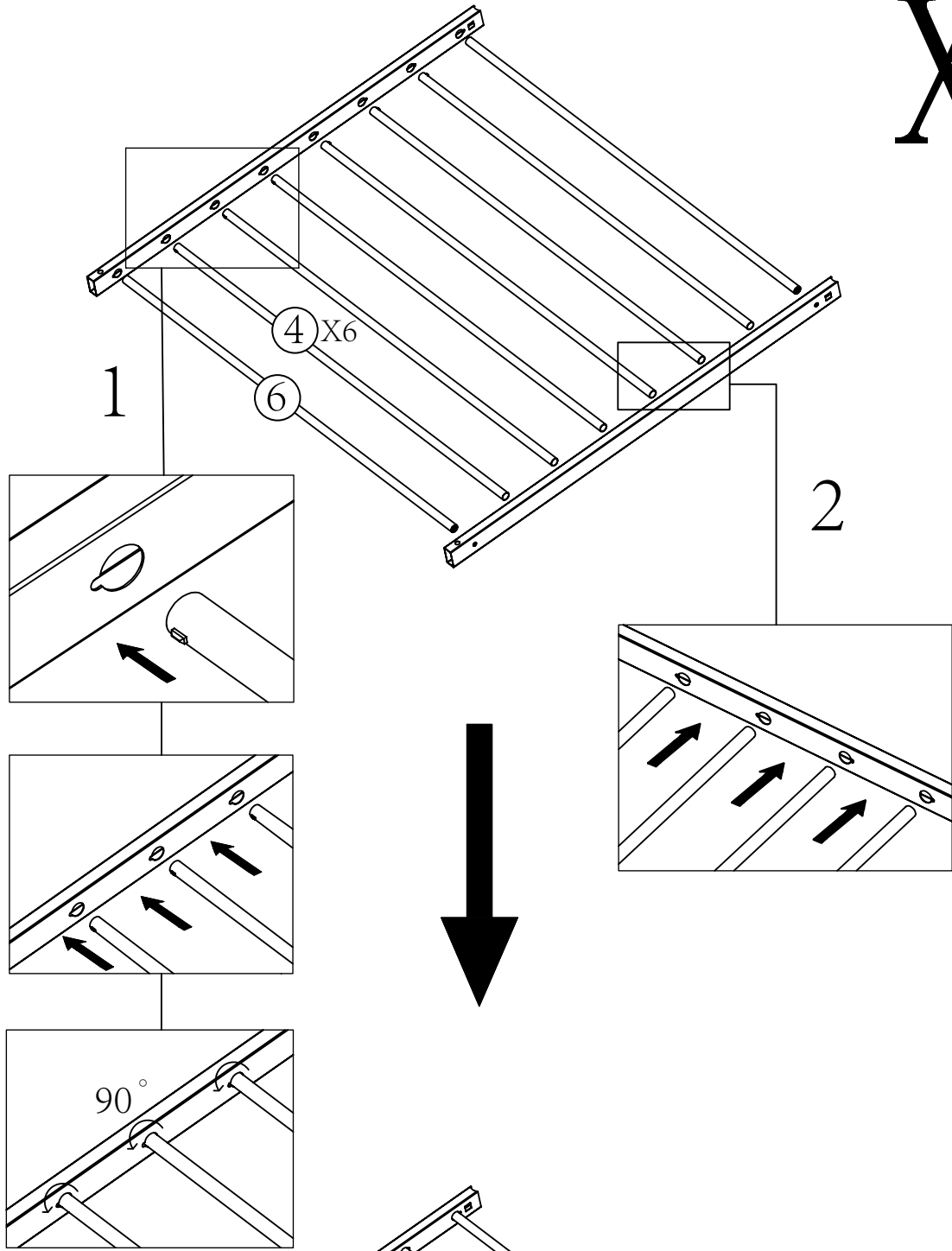
D		x4
---	---	----

Note: please do lock the screw D directly, do not need to tighten it in this step.



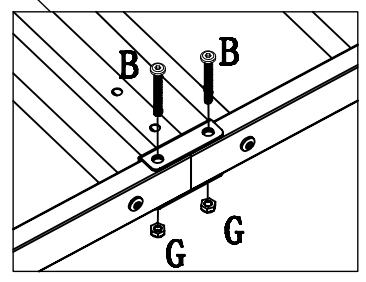
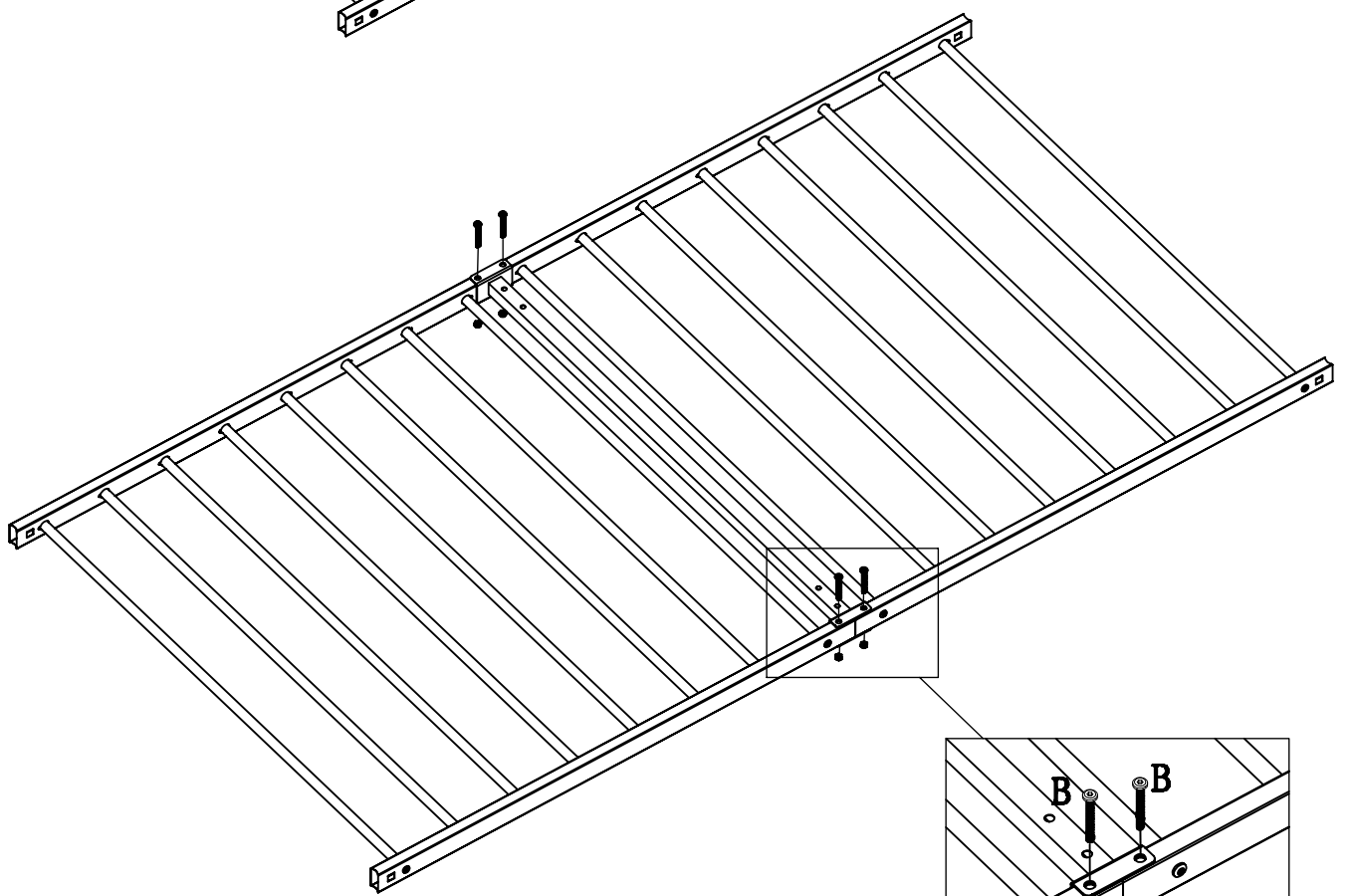
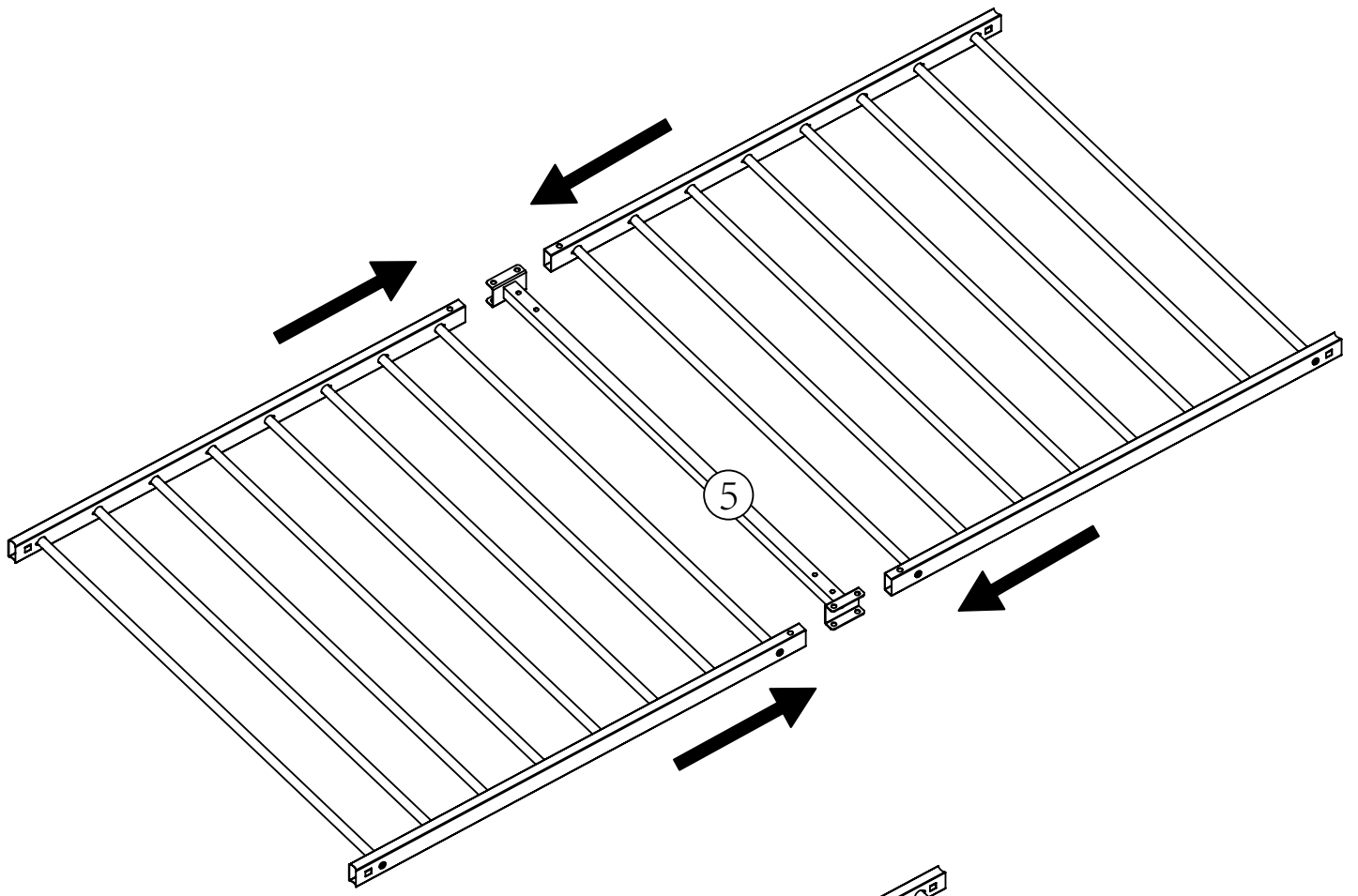
STEP 3



X2



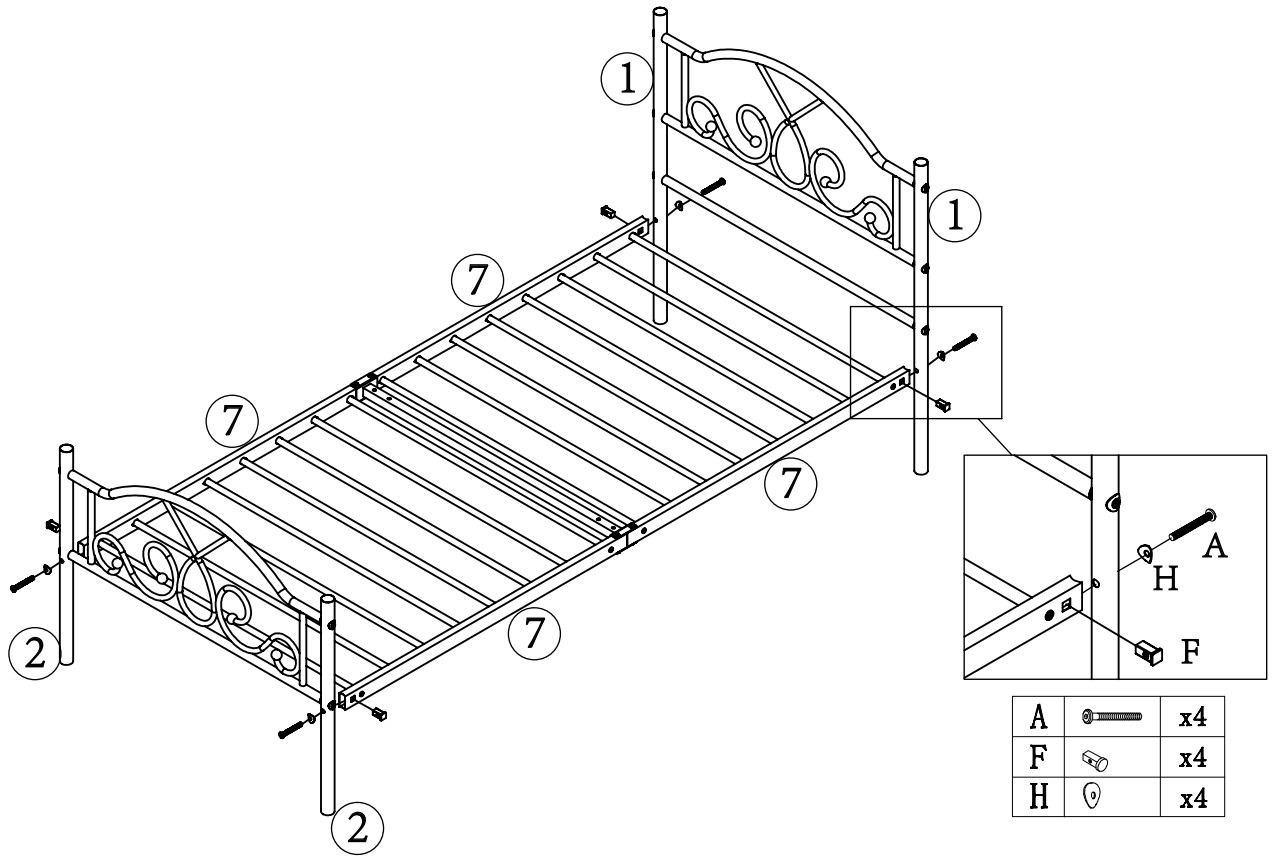
Tighten the screw D after assembling part 4.

STEP 4

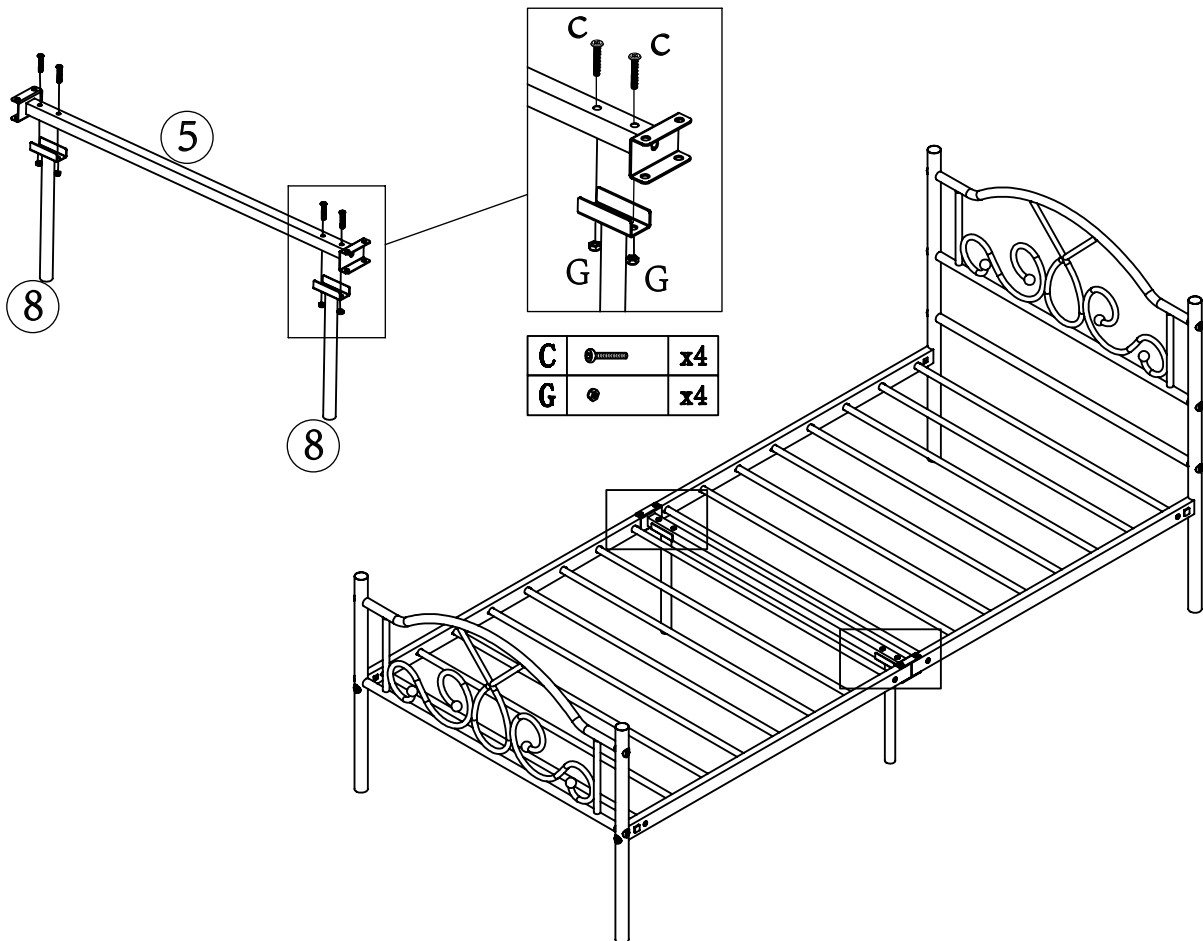


B		x4
G		x4

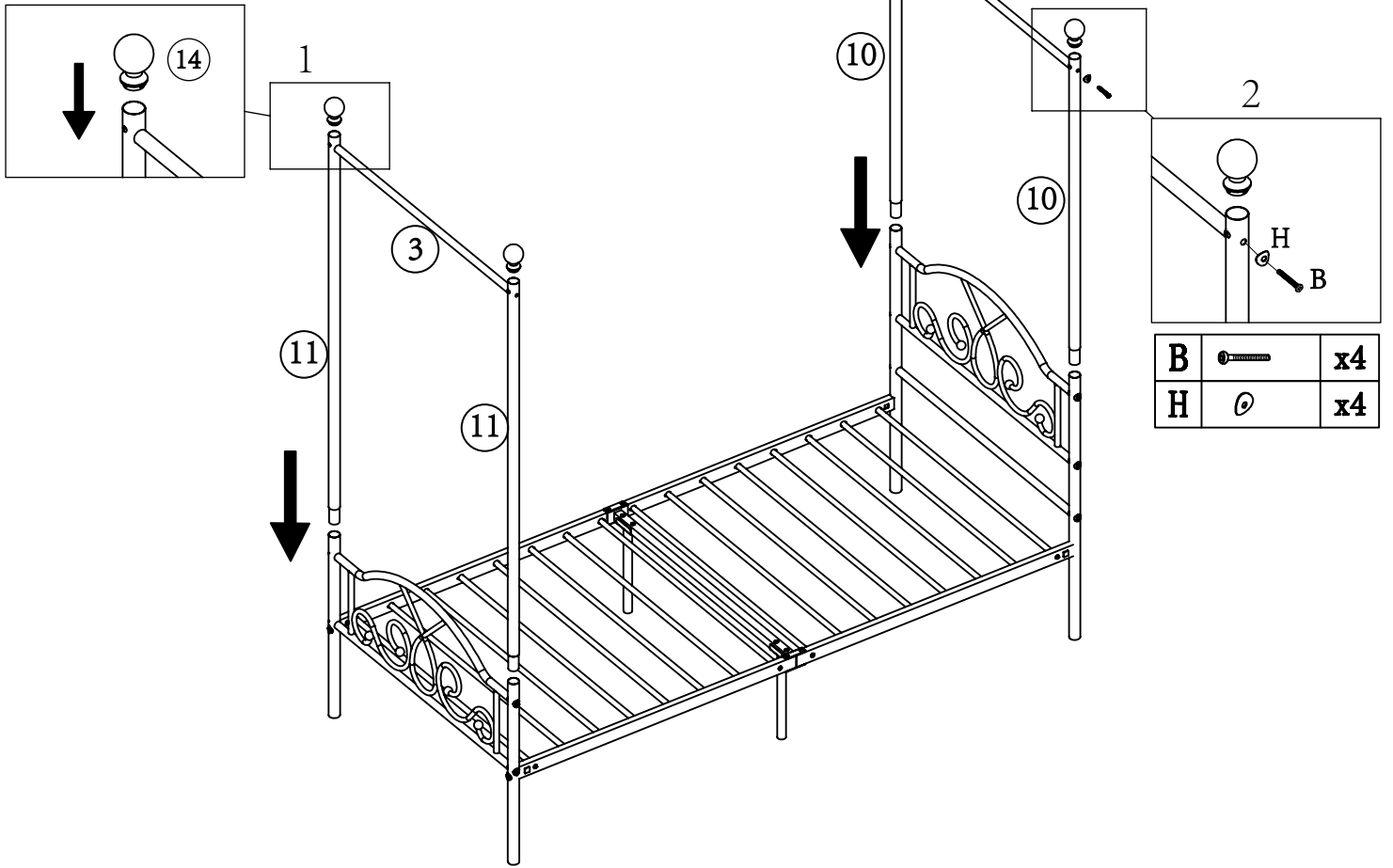
STEP 5



STEP 6



STEP 7



STEP 8

