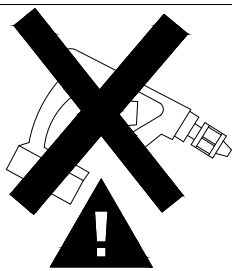
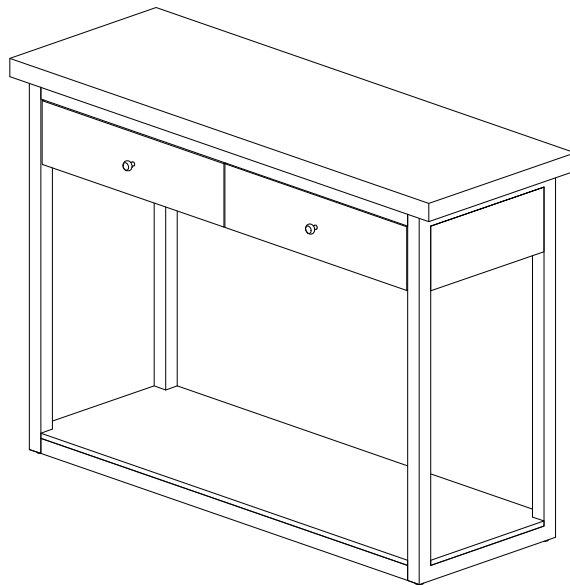
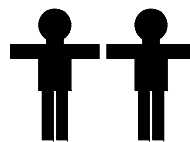


ASSEMBLY INSTRUCTION

CONSOLE TABLE

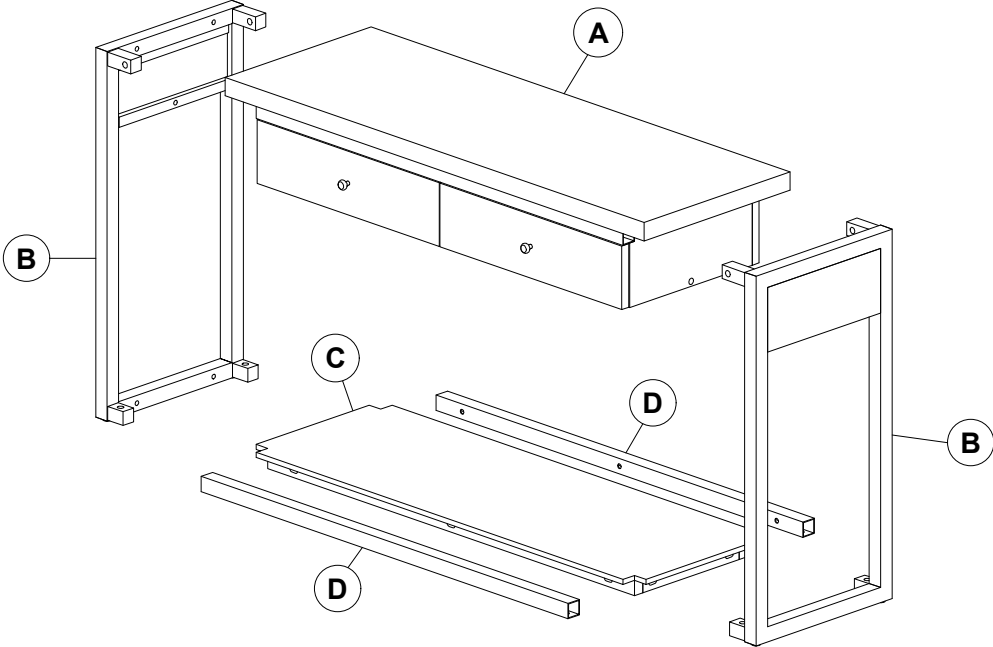


. Use of power tool to assemble this product will invalidate any claim and damage this product making it unsafe !!!
. Please assemble on a clean soft surface to avoid damage.



30 minutes


Part list-Claremont Console Table



Identifying the hardware-Identify the hardware using the illustrations below

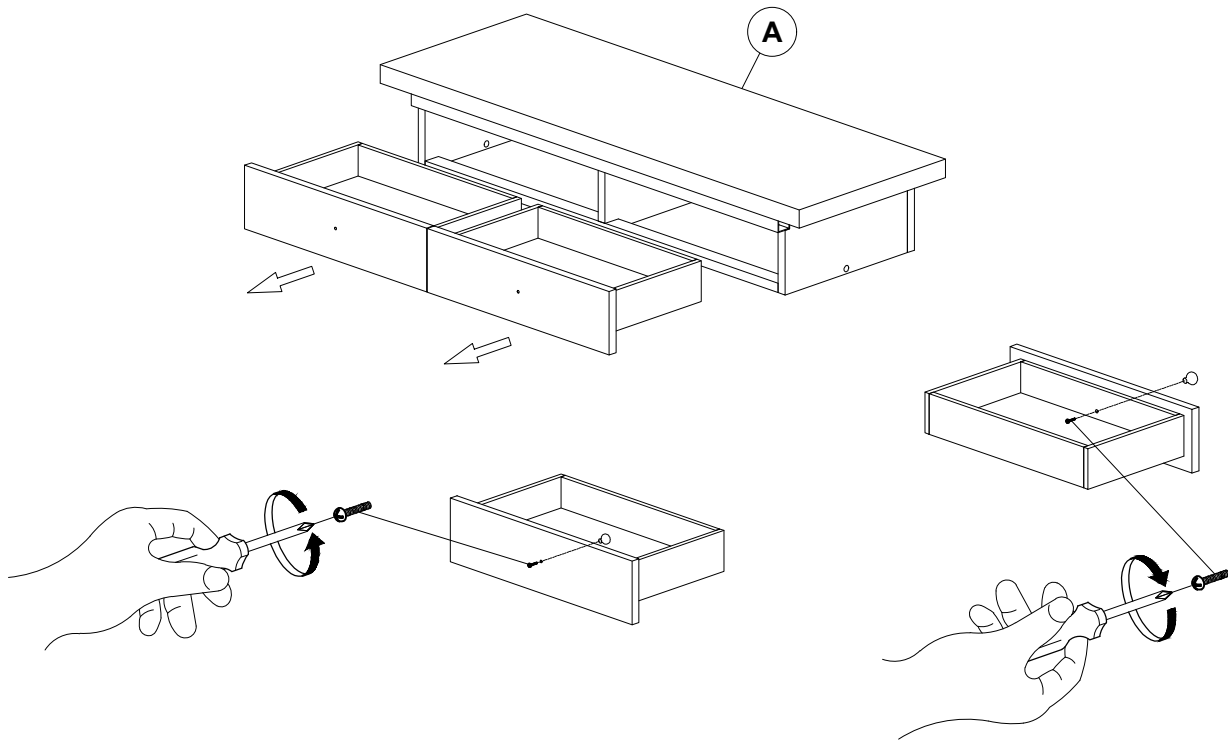
E  **08**
M6x15MM BOLT

F  **16**
M6x35MM BOLT

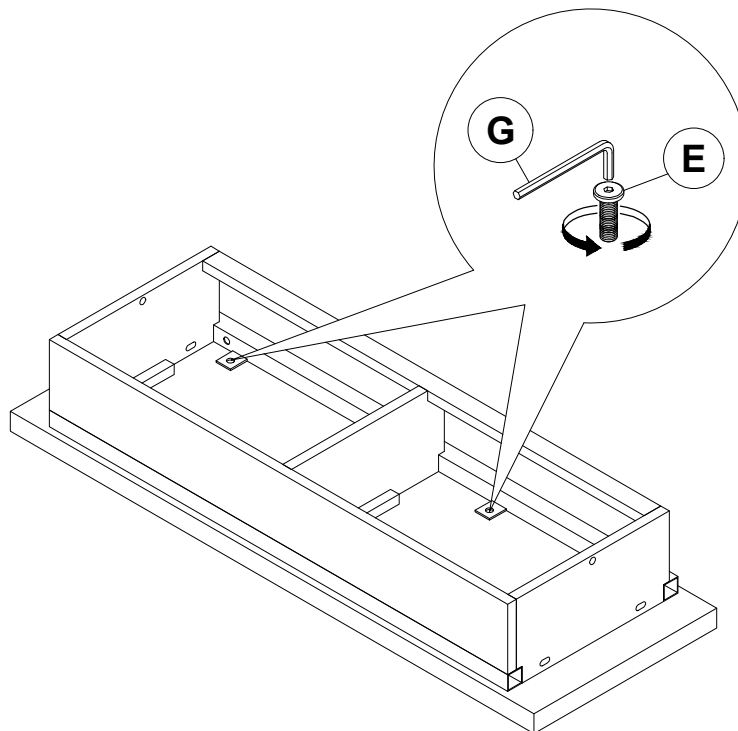
G  **01**

H  **01**
Anti-tip bag

Step 01



Step 02

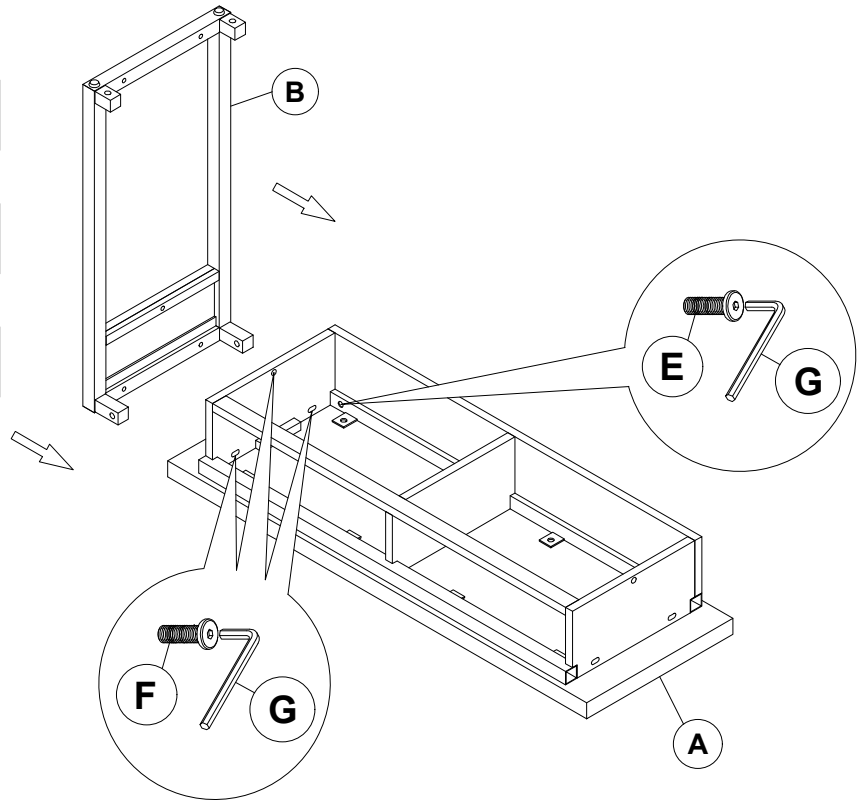


Step 03

E  **02**
M6x15MM BOLT

F  **03**
M6x35MM BOLT

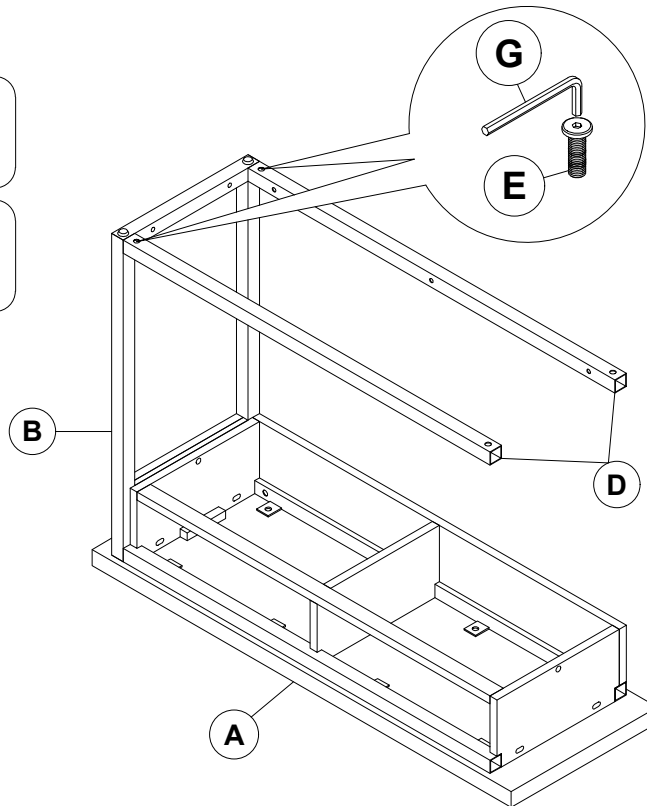
G  **01**



Step 04

E  **02**
M6x15MM BOLT

G  **01**

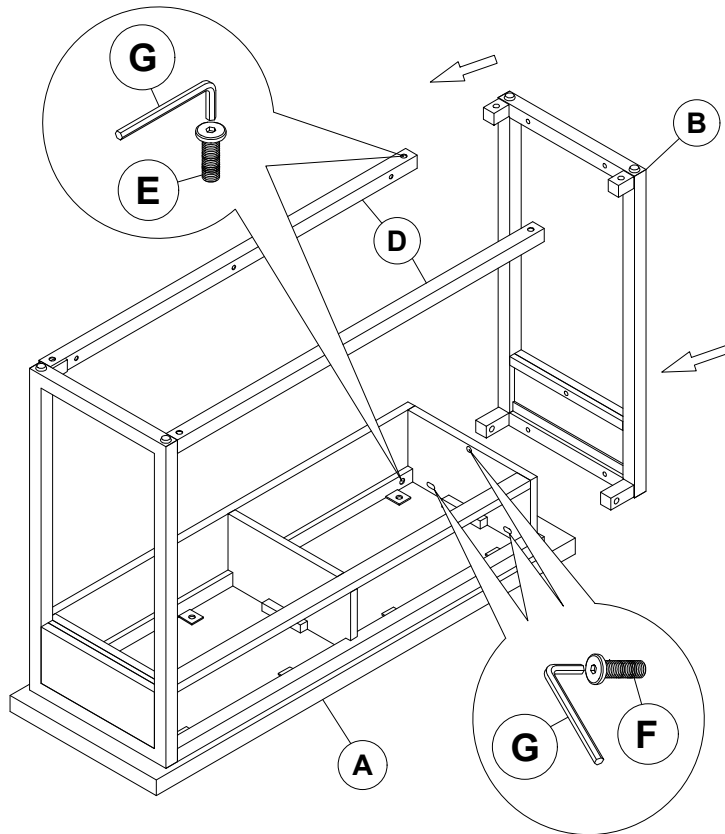


Step 05

E  **04**
M6x15MM BOLT

F  **03**
M6x35MM BOLT

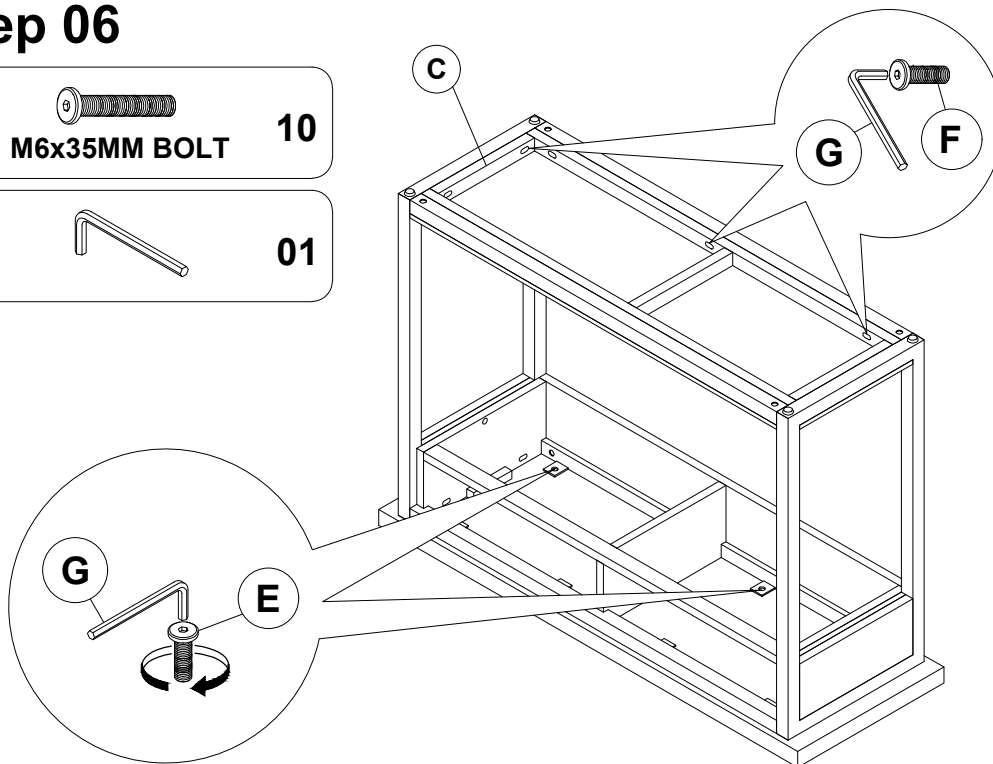
G  **01**



Step 06

F  **10**
M6x35MM BOLT

G  **01**



Step 07

