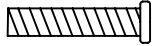



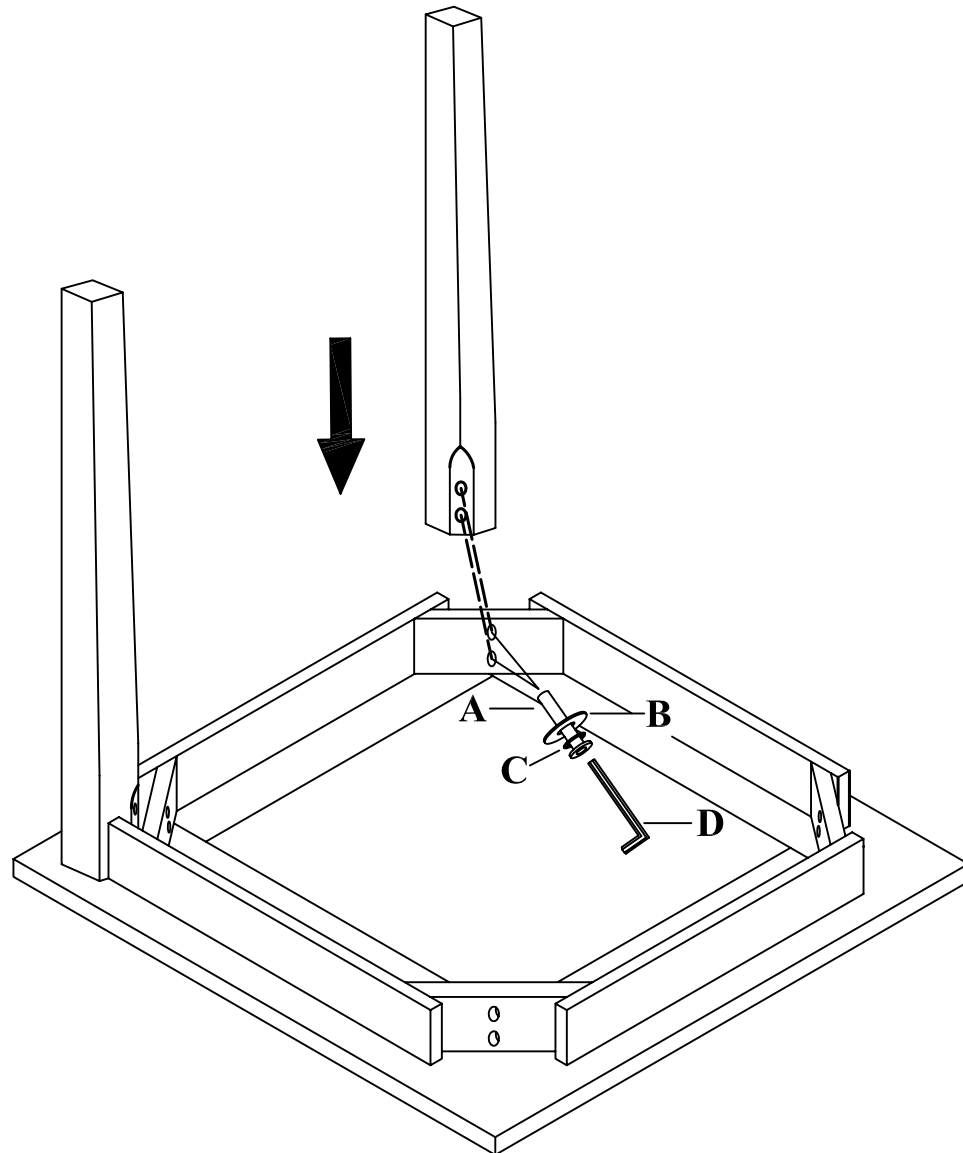
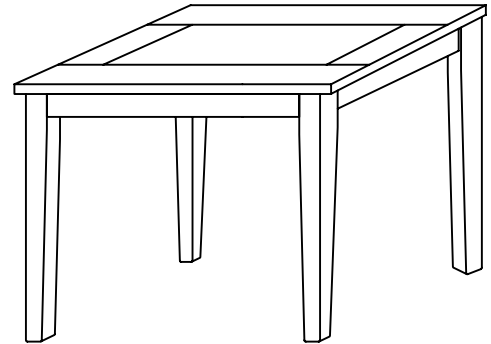


ASSEMBLY

INSTRUCTIONS

PARTS LIST

Item	Drawing	Description	Pcs
A		Bolt 5/16"*2"	8
B		Flat Washer 5/16"*22mm	8
C		Spring Washer 5/16"	8
D		Wrench 5/16"	1



*. PLEASE DO NOT LOCK THE HARDWARE TOO TIGHT BEFORE ASSEMBLY.