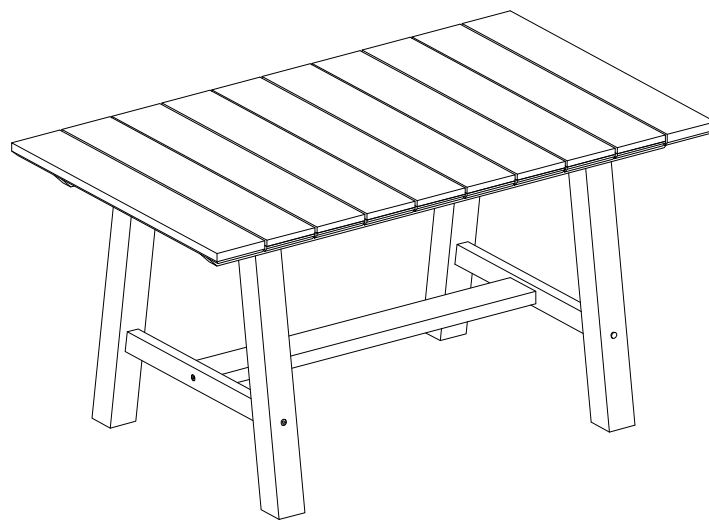


Instruction Manual

Shiro 136cm Rectangular Dining Table, Brushed Light Acacia

www.laura-james.co.uk

1700151.11



CONTENTS

| | |
|------------------------|----------|
| Safety and care advice | 1 |
| Components | 2 |
| Assembly instructions | 4 |
| Copyright | 8 |

⚠ SAFETY AND CARE ADVICE ⚠

PLEASE READ THESE INSTRUCTIONS CAREFULLY AND KEEP FOR FUTURE REFERENCE

- **Warning:** Please lift with care.
- Check you have all the components and tools listed on pages 2 and 3.
- Remove all fittings from the plastic bags and separate them into their groups.
- Keep children and animals away from the work area, small parts could choke if swallowed.
- Make sure you have enough space to lay out the parts before starting.
- Do not stand or put weight on the product, this could cause damage.
- Assemble the item as close to its final position (in the same room) as possible.
- Assemble on a soft level surface to avoid damaging the unit or your floor (use opened out unit carton).



- We do not recommend the use of power drill/drivers **for inserting screws**, as this could damage the unit. Only use hand screwdrivers.
- Dispose of all packaging carefully and responsibly.

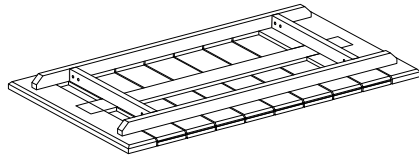
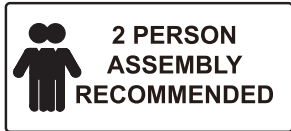
CARE AND MAINTENANCE

- Only clean using a damp cloth and mild detergent, do not use bleach or abrasive cleaners.
- From time to time check that there are no loose screws on this unit.
- This product should not be discarded with household waste. Take to your local authority waste disposal center.

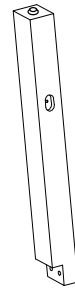
Note *If required the next page can be cut out and used as reference throughout the assembly. Keep this page with these instructions for future reference.*

COMPONENTS

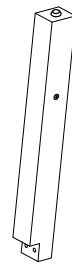
Please check you have all the panels listed below:



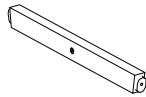
① X1



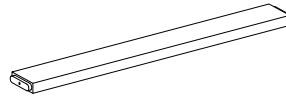
② X2



③ X2



④ X2



⑤ X1

| | | | |
|--------------|-----|---------------------|-----|
| 1. Table Top | x 1 | 4. Side Stretcher | x 2 |
| 2. Leg 1 | x 2 | 5. Middle Stretcher | x 1 |
| 3. Leg 2 | x 2 | | |

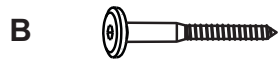


COMPONENTS

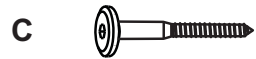
Please check you have all the fittings listed below:



Bolt ($\Phi 8 \times 60 \text{mm}$) x 8



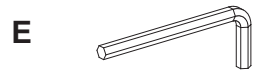
Screw ($\Phi 7 \times 90 \text{mm}$) x 4



Screw ($\Phi 7 \times 60 \text{mm}$) x 2



Nut ($\Phi 8 \times 15 \text{mm}$) x 8



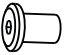



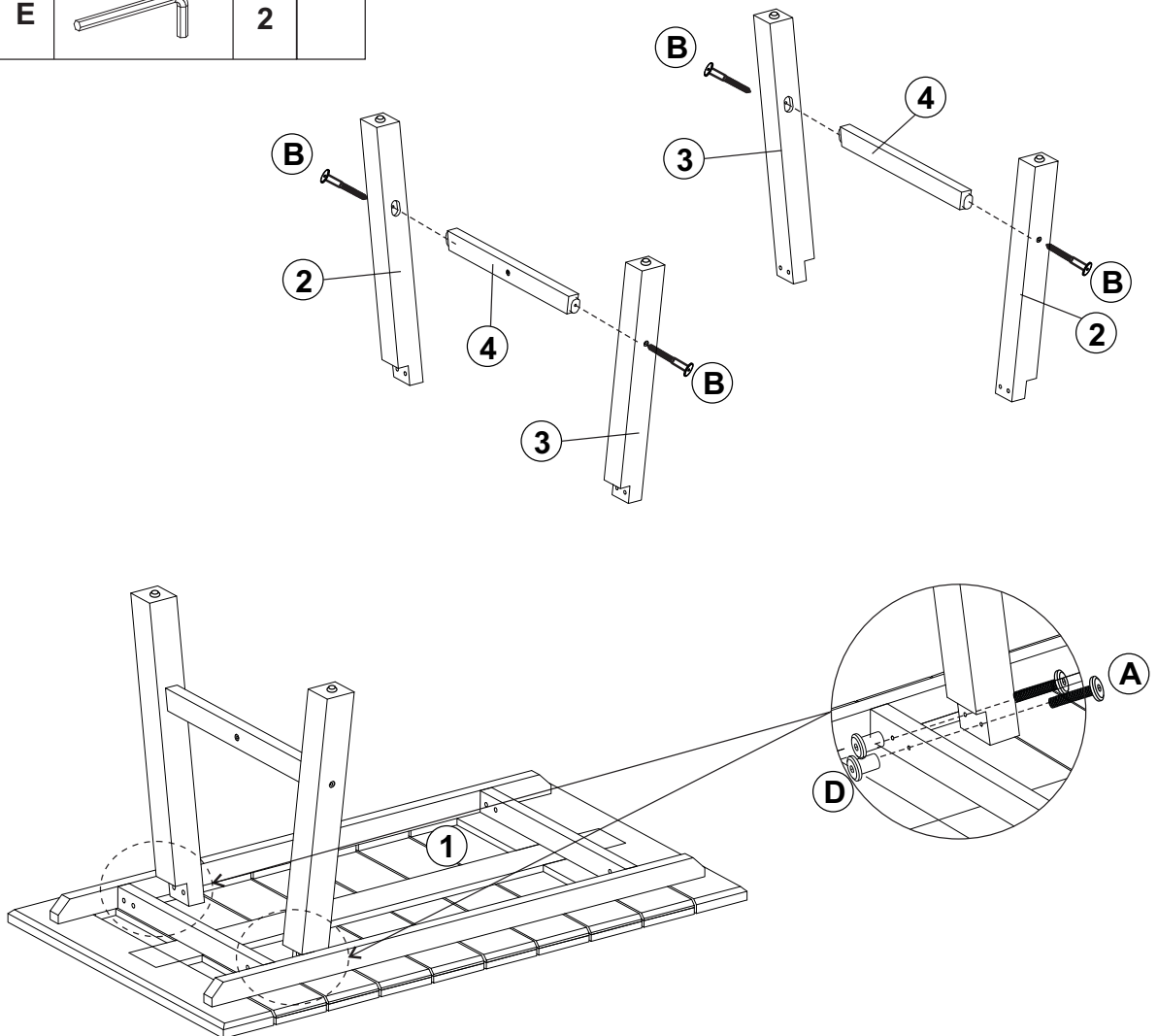
Allen key x 2



ASSEMBLY INSTRUCTIONS



Step 1

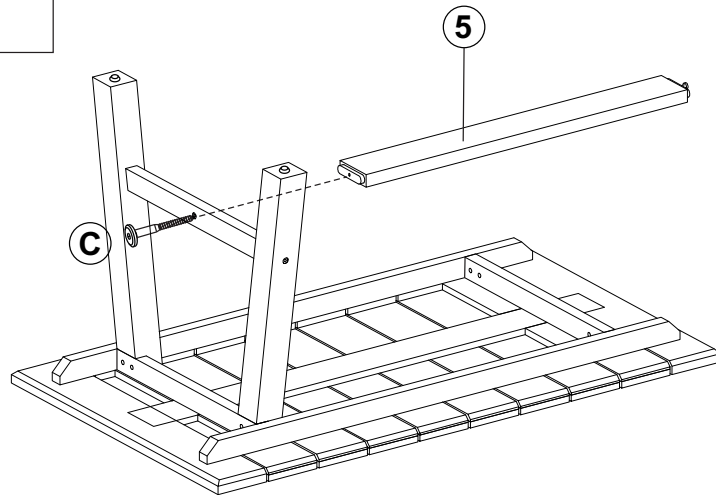
| | | |
|---|---|---|
| A |  | 4 |
| B |  | 4 |
| D |  | 4 |
| E |  | 2 |





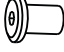

ASSEMBLY INSTRUCTIONS

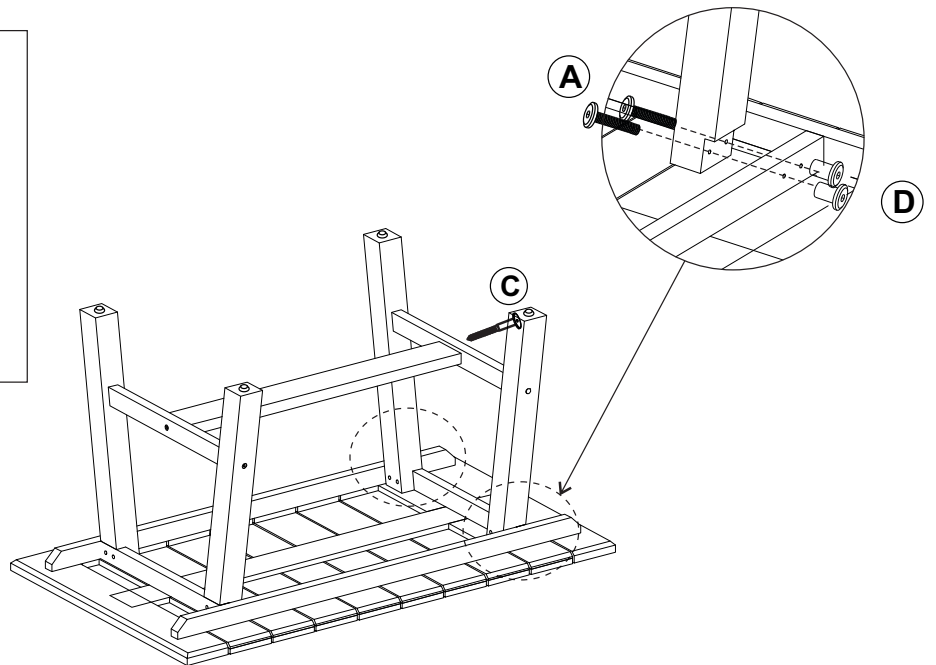
Step 2

| | | | |
|---|---|---|--|
| C |  | 1 | |
| E |  | 1 | |



Step 3

| | | | |
|---|---|---|--|
| A |  | 4 | |
| C |  | 1 | |
| D |  | 4 | |
| E |  | 2 | |



IF YOU FIND A DEFECTIVE PART

We fully stock all parts and components. Any defective part can be quickly replaced. Take note of the defective part number in manual and we will arrange a quick replacement.

You can email our team at customercare@laura-james.co.uk

COPYRIGHT

All material in this instruction manual is copyrighted by AGTC Ltd.

Any unauthorised use may violate worldwide copyright, trademark and other laws.

Thank you for purchasing!

Laura James® is a registered trademark of AGTC Ltd.
Made in Vietnam for AGTC LTD S35 9ZX
