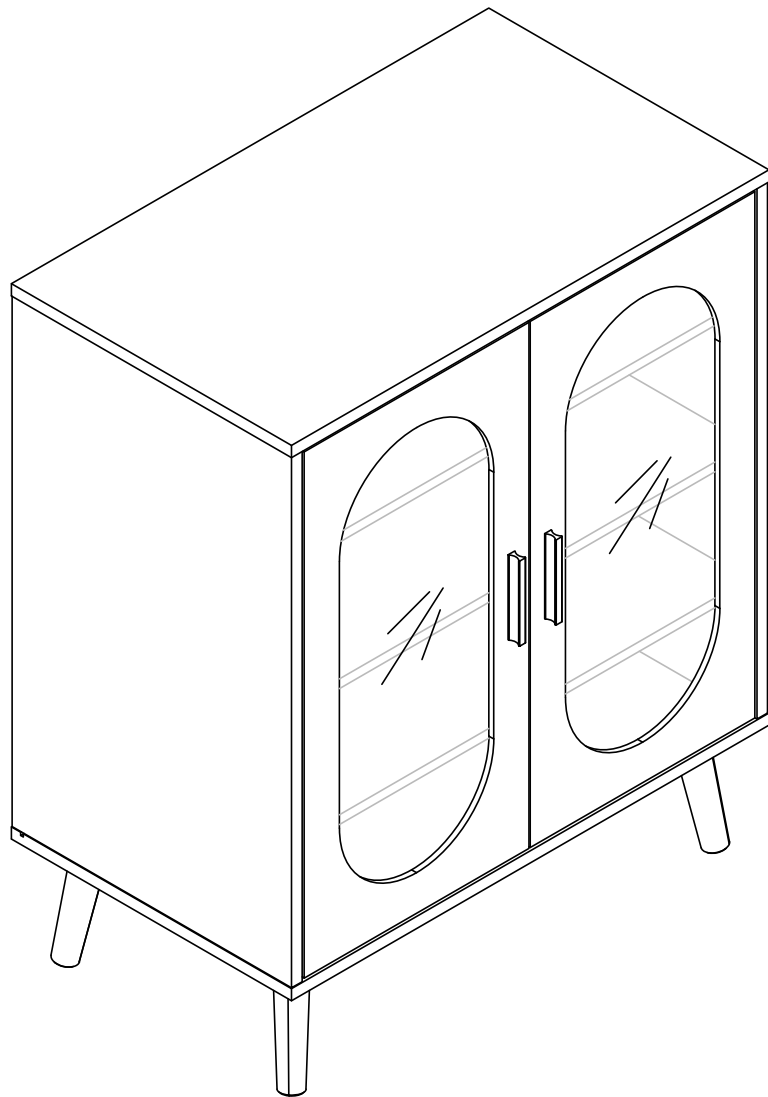
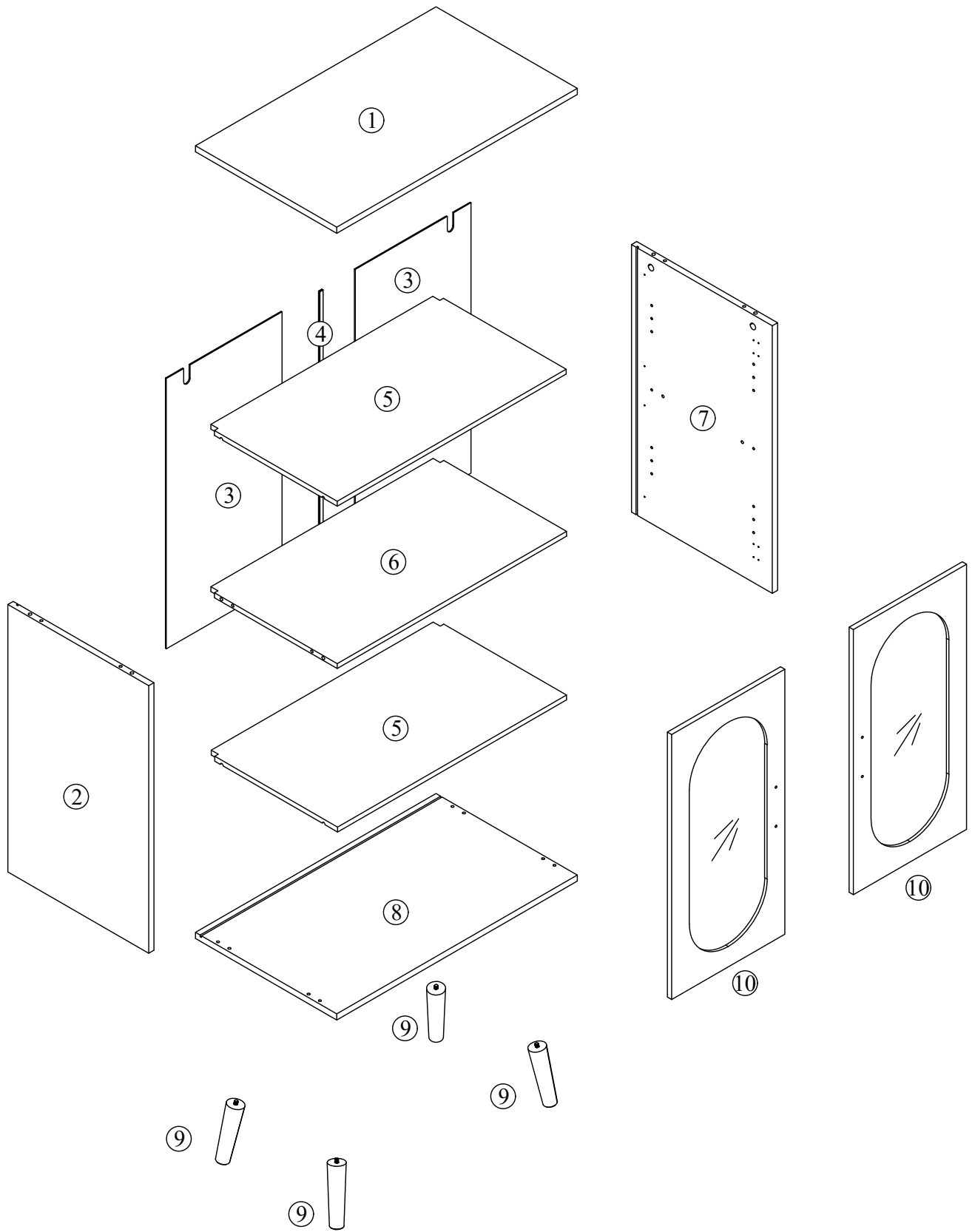
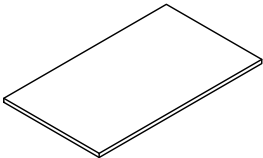
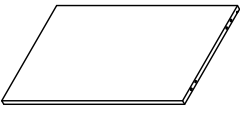
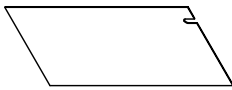

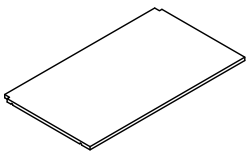
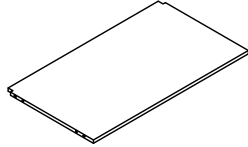

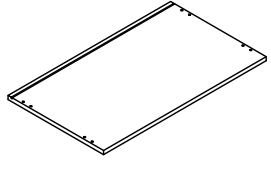

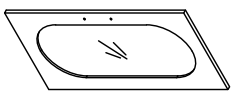
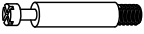



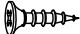












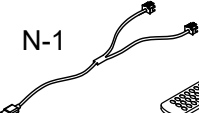
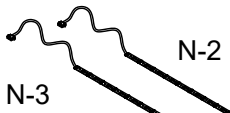



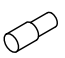


Assembly Instruction

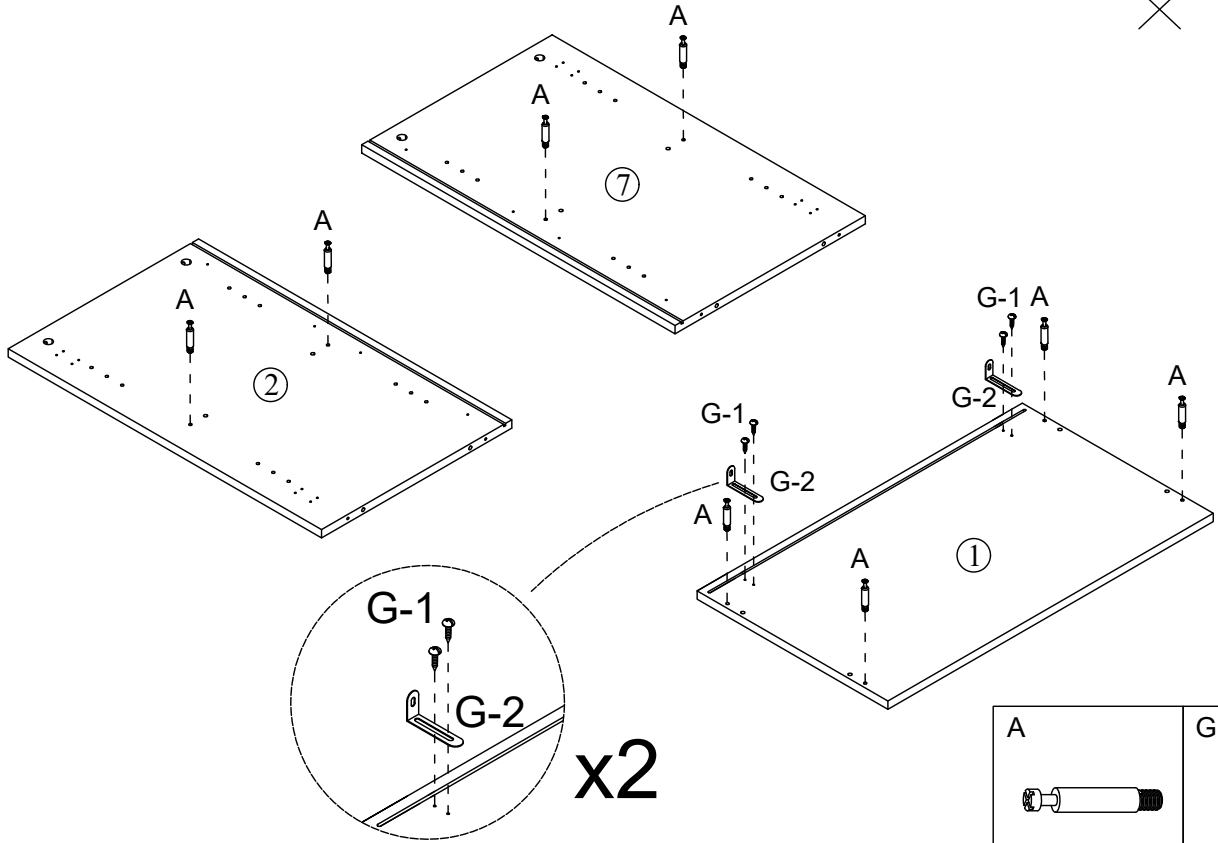
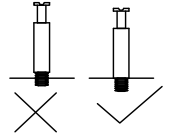




<p>1</p>  <p>679x398x15 x1</p>	<p>2</p>  <p>655x397x15 x1</p>	<p>3</p>  <p>662x327mm x2</p>	<p>4</p>  <p>654mm x1</p>
<p>5</p>  <p>647x363x12 x2</p>	<p>6</p>  <p>648x363x12 x1</p>	<p>7</p>  <p>655x397x15 x1</p>	<p>8</p>  <p>679x398x15 x1</p>
<p>9</p>  <p>140x38x30 x4</p>	<p>10</p>  <p>648x319x15 x2</p>		

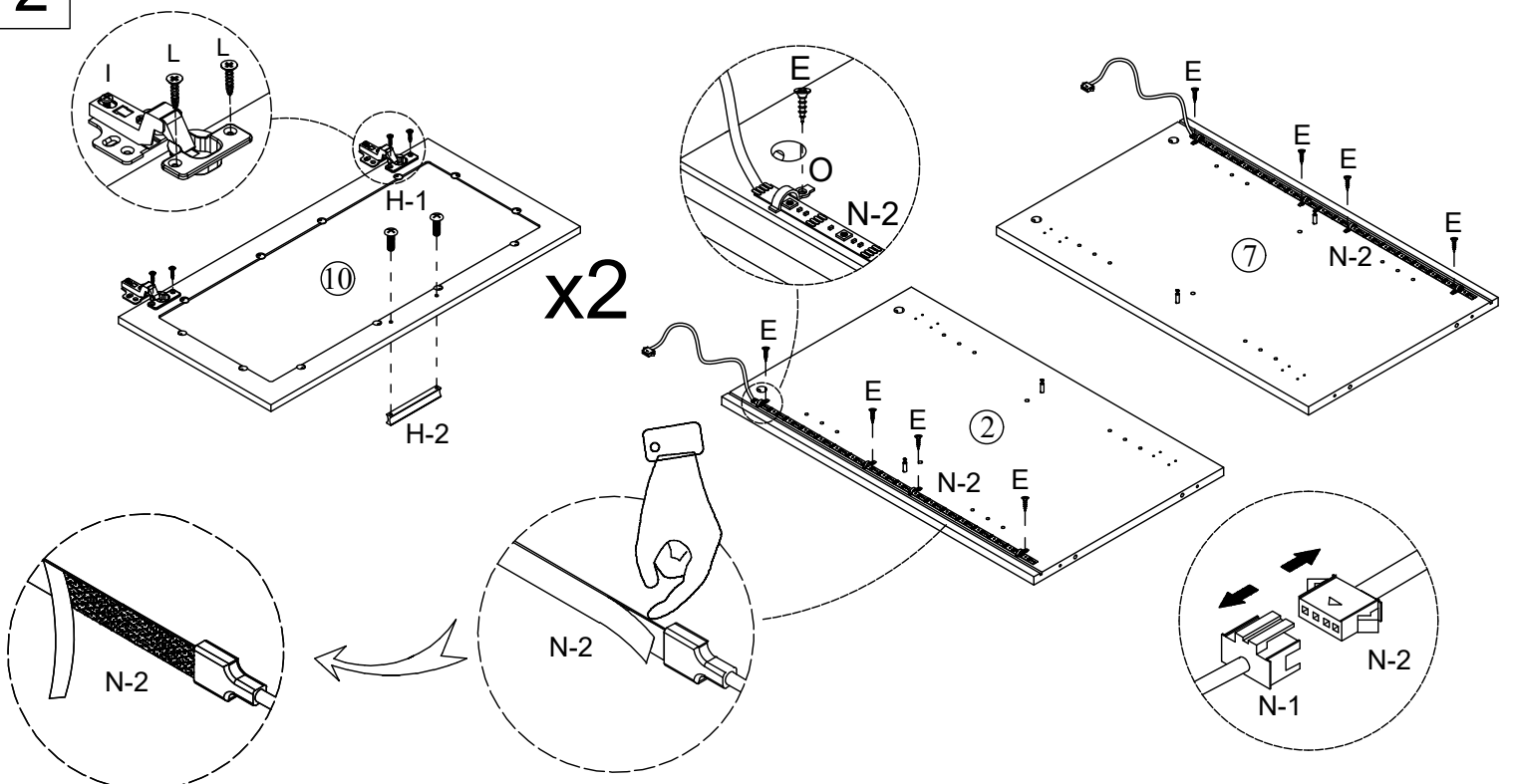
A	x 8	B	x 8	C	x 12+1	D	x 4	E	x 8
									
Φ6X35mm		Φ15X10mm		Φ6X30mm		Φ5X40mm		Φ3X12mm	
F	x 2	G	x 2	H	x 2	I	x 4	J	x 8
		<div style="display: flex; justify-content: space-around;"> <div data-bbox="427 405 483 439">G-1 </div> <div data-bbox="539 405 595 439">G-2 </div> </div>		<div style="display: flex; justify-content: space-around;"> <div data-bbox="722 405 778 439">H-1 </div> <div data-bbox="826 405 882 439">H-2 </div> </div>				<div style="display: flex; justify-content: space-around;"> <div data-bbox="1313 416 1369 450">J-1 </div> <div data-bbox="1425 416 1481 450">J-2 </div> </div>	
		Φ4X12mm		Φ4X18mm				Φ3X16mm	
K	x 2	L	x 24+2	M	x 20+2	N x 1			
<div style="display: flex; justify-content: space-around;"> <div data-bbox="137 640 193 674">K-1 </div> <div data-bbox="248 640 304 674">K-2 </div> </div>						<div style="display: flex; justify-content: space-between;"> <div data-bbox="1038 651 1094 685">N-1 </div> <div data-bbox="1254 629 1294 685">N-2 </div> </div> <div style="text-align: center; margin-top: 10px;">  N-3 </div>			
Φ4X45mm		Φ4X12mm		Φ4X12mm					
O	x 8	P	x 4	Q	x 8				
									
				5mm					

1



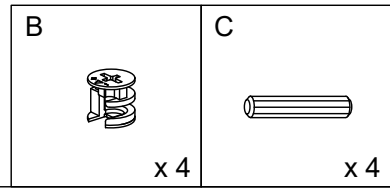
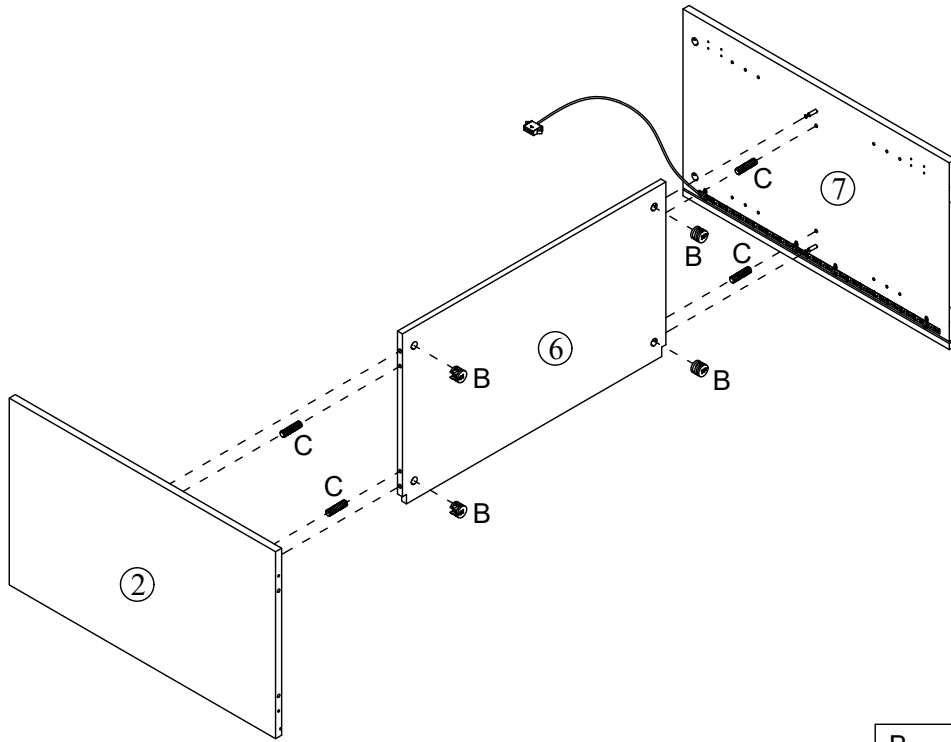
A	G	
	G-1	G-2
x 8	x 2	x 2

2

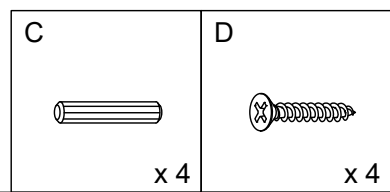
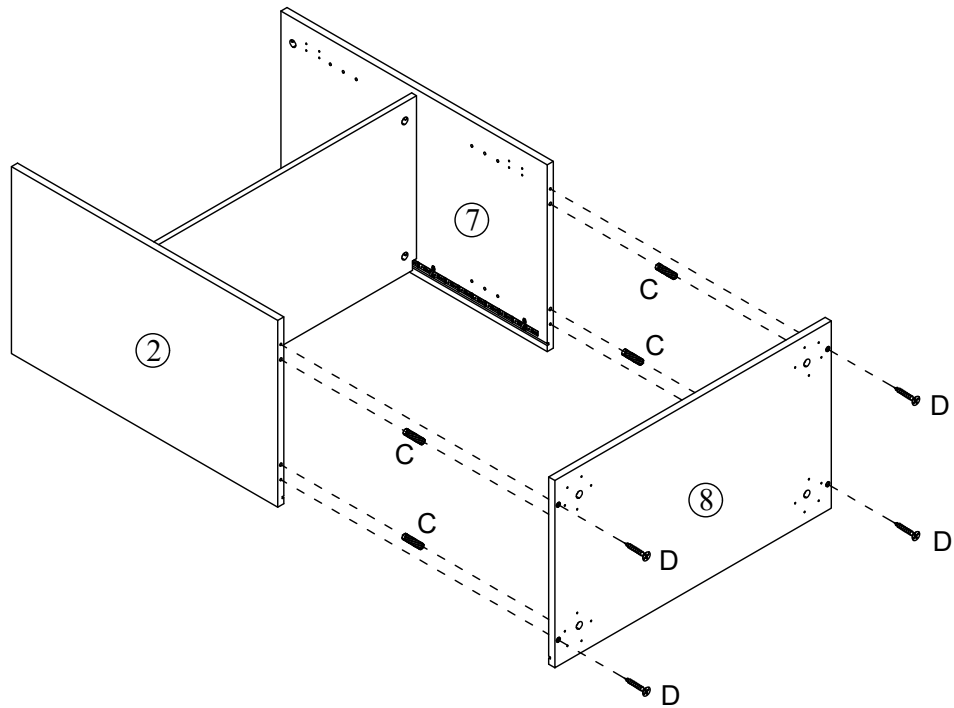


E	H	I	L	N	O
	H-1 H-2			N-2	
x 8	x 2	x 4	x 8	x 1	x 8

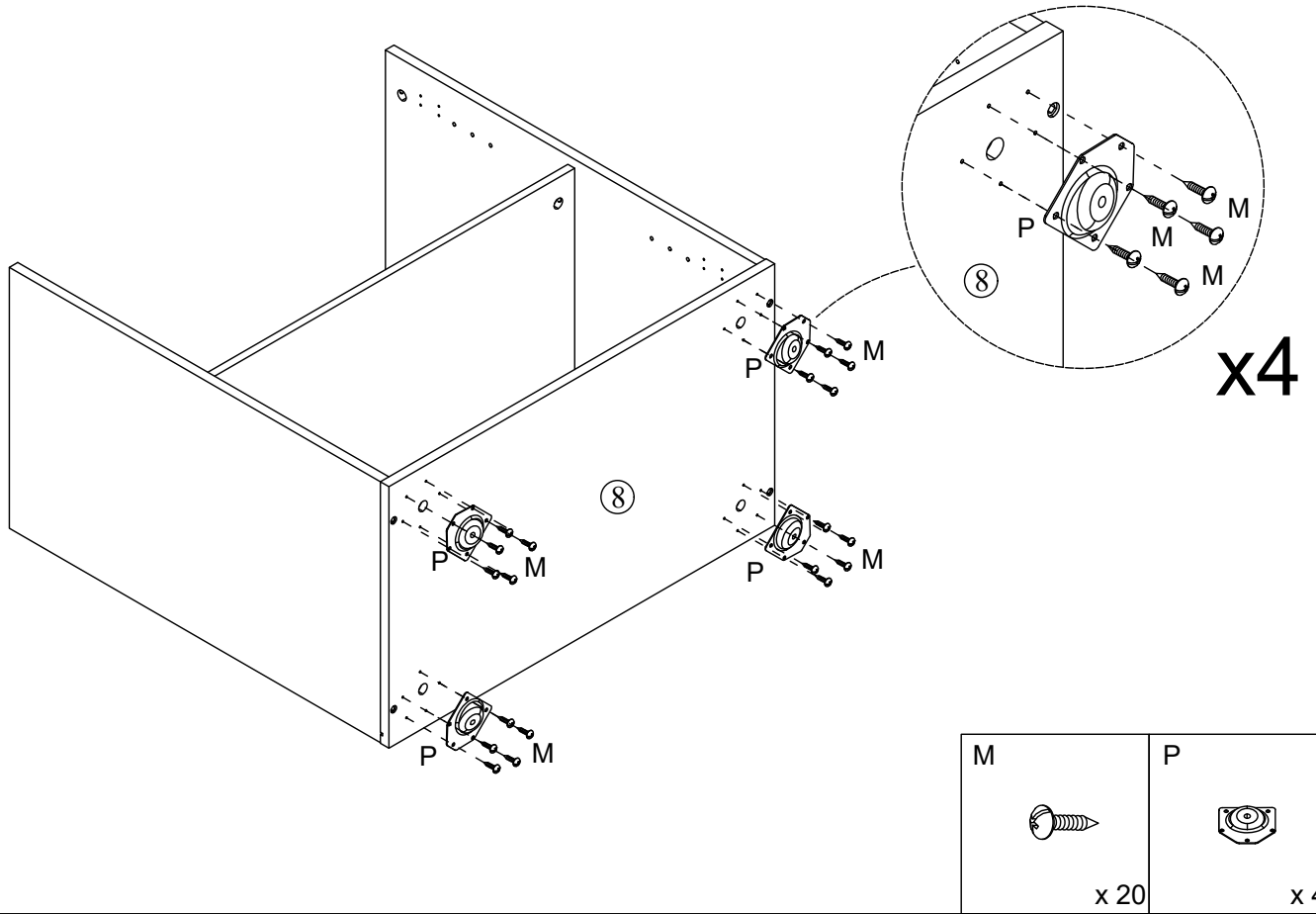
3



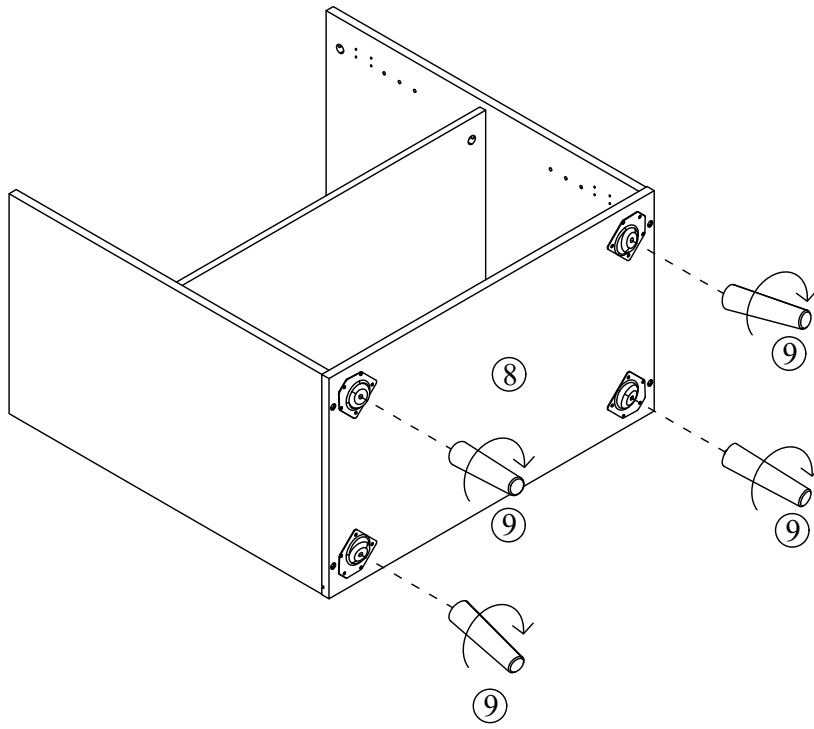
4



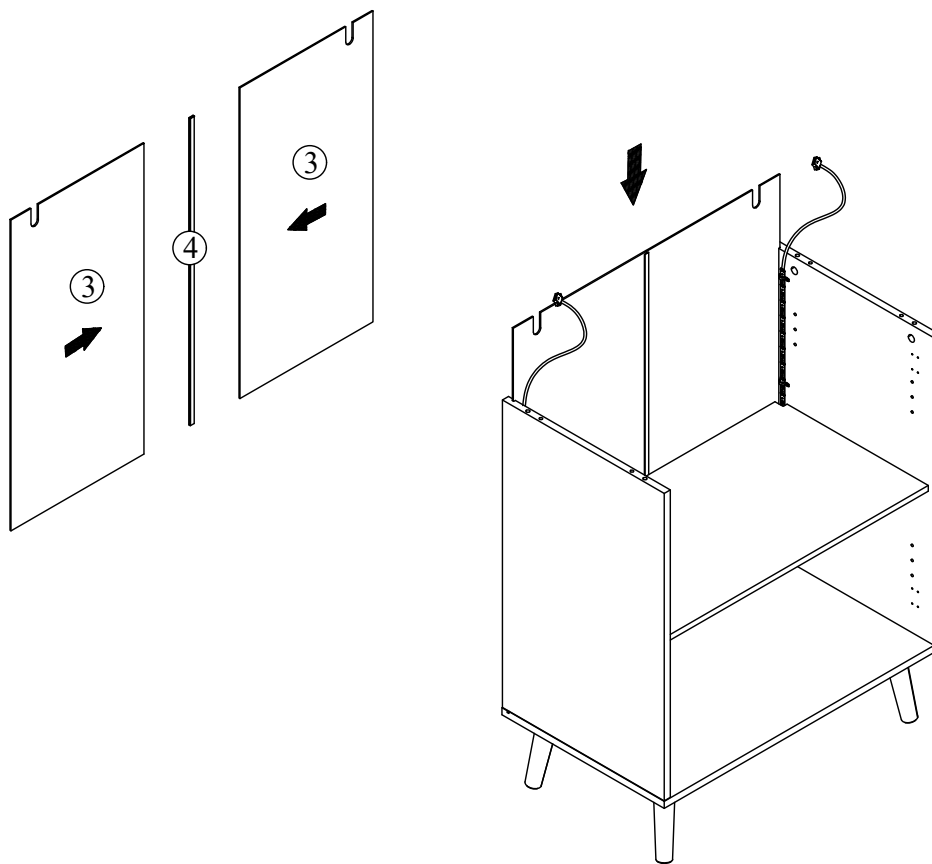
5



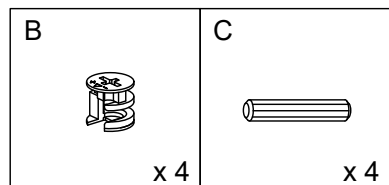
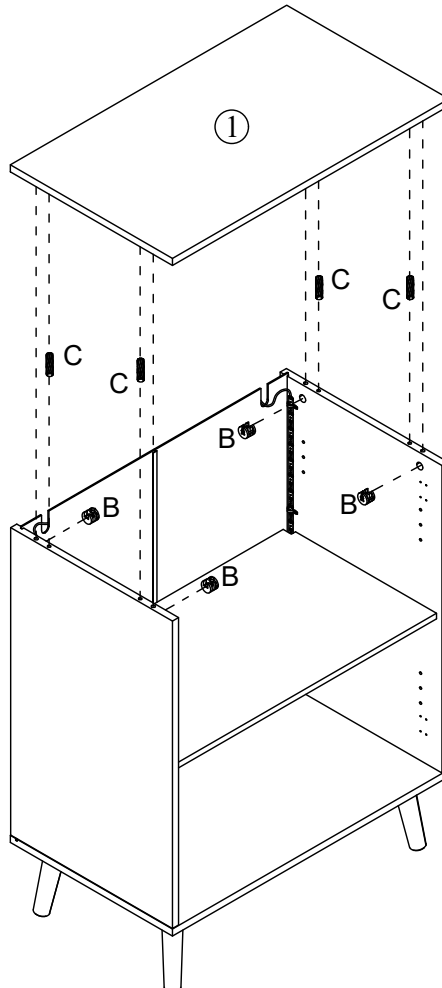
6



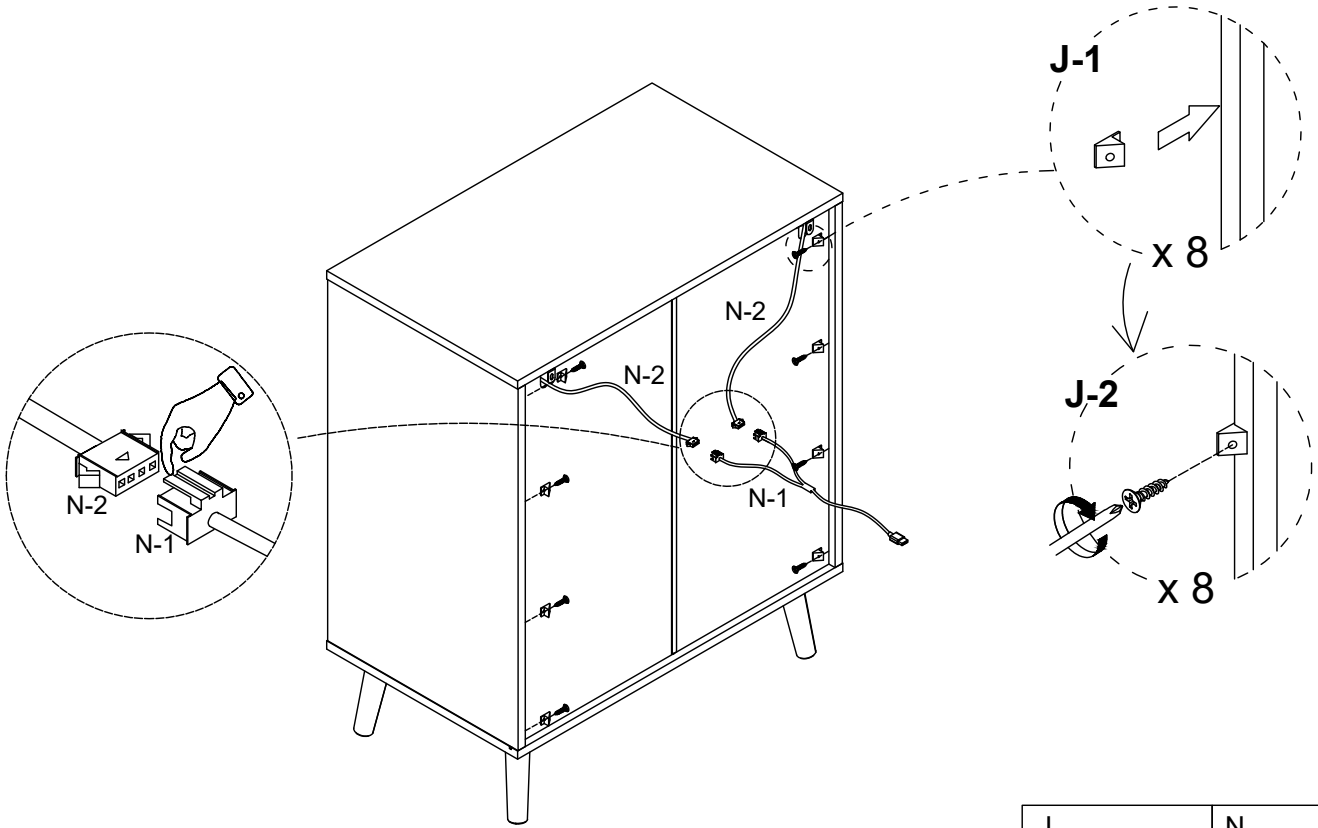
7



8

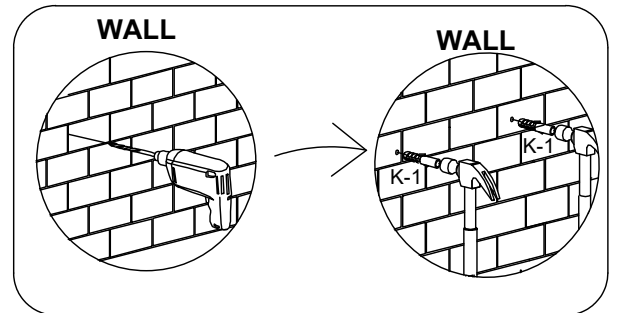
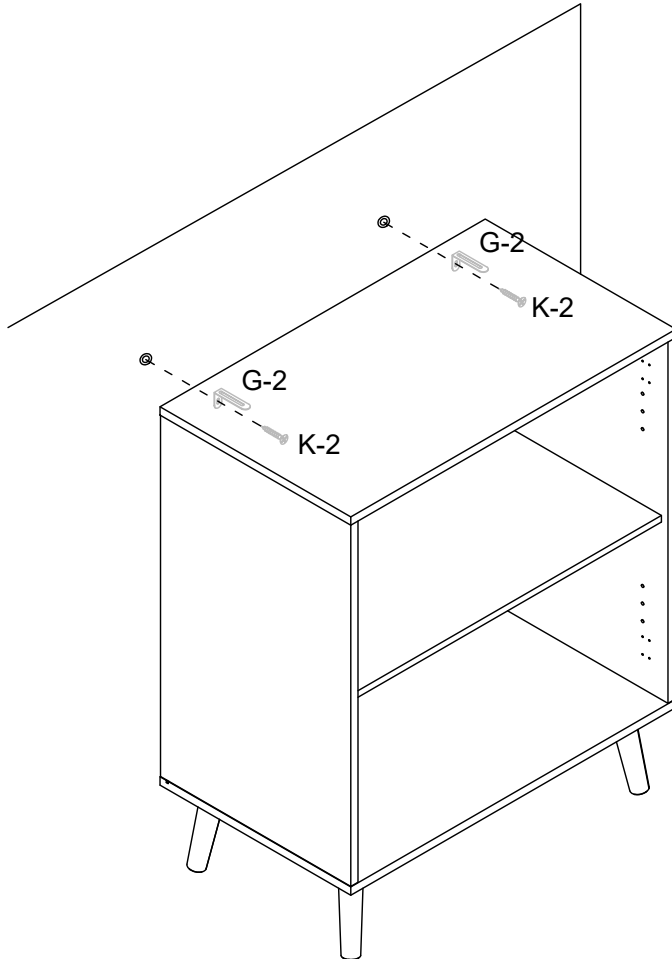


9



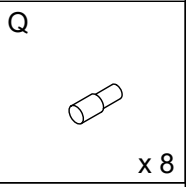
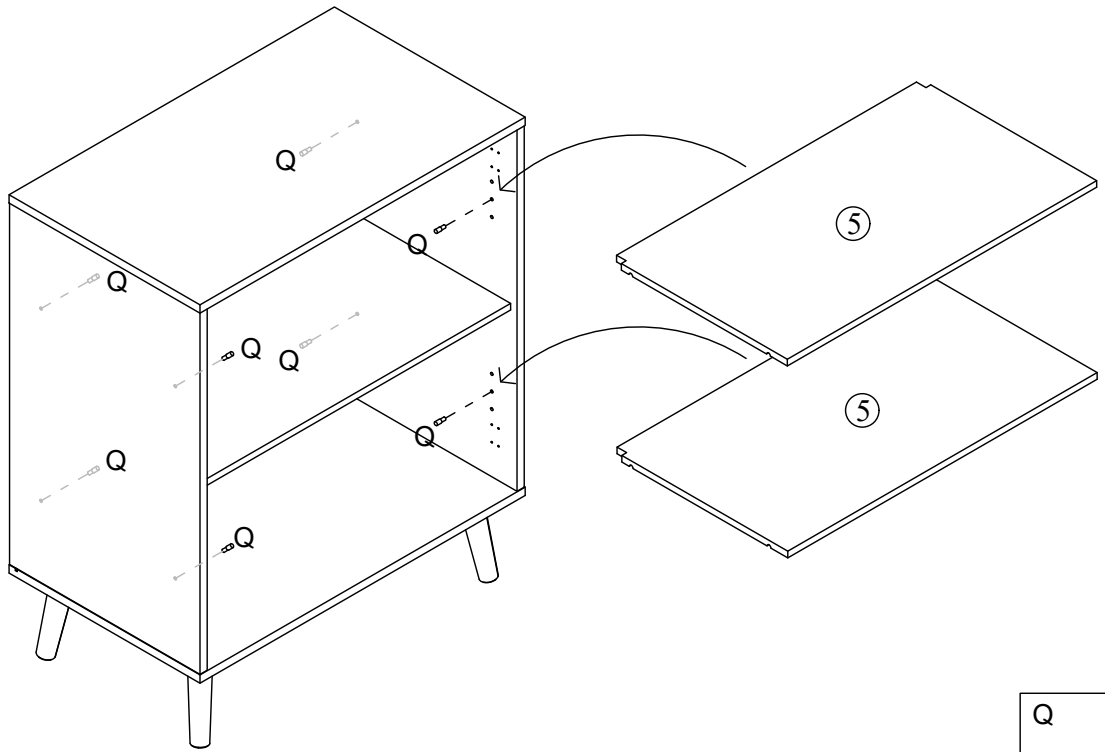
J		N
J-1	J-2	N-1
	x 8	x 1

10

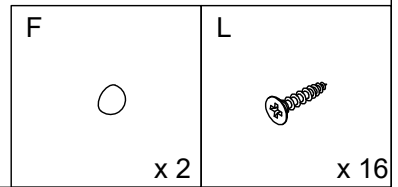
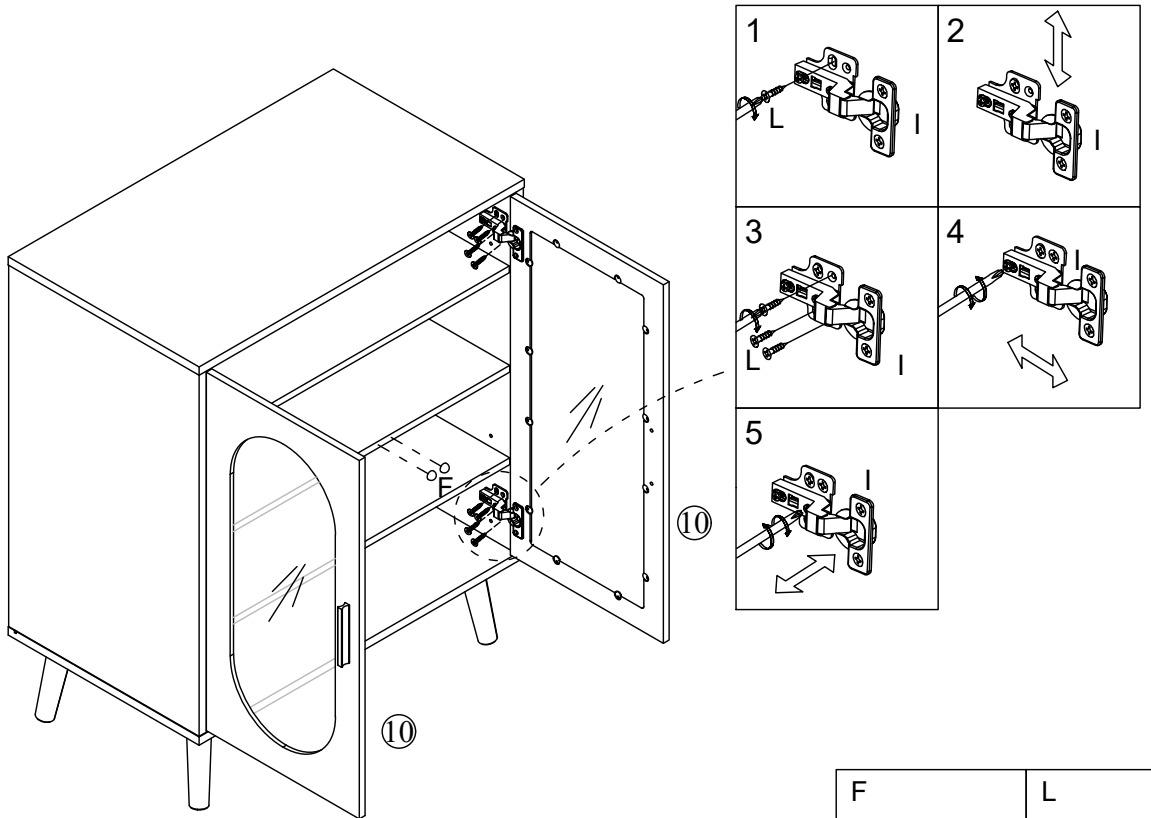


K	
K-1	K-2
x 2	

11



12



Supplementary Instructions for Safe Use

WARNING

- **INGESTION HAZARD** :This product contains a button cell or coin battery.
- **DEATH** or serious injury can occur if ingested.
- A swallowed button cell or coin battery can cause **Internal Chemical Burns** in as little as **2 hours**.
- **Keep** new and used batteries **OUT OF REACH** of **CHILDREN**.
- **Seek immediate medical attention** if a battery is suspected to be swallowed or inserted inside any part of the body.



WARNING

- **INGESTION HAZARD** :This product contains a button cell or coin battery.
- **DEATH** or serious injury can occur if ingested.
- A swallowed button cell or coin battery can cause **Internal Chemical Burns** in as little as **2 hours**.
- **Keep** new and used batteries **OUT OF REACH** of **CHILDREN**.
- **Seek immediate medical attention** if a battery is suspected to be swallowed or inserted inside any part of the body.



Supplementary Instructions for Safe Use

a) Remove and immediately recycle or dispose of used batteries according to local regulations and keep away from children.

Do NOT dispose of batteries in household trash or incinerate.

b) Even used batteries may cause severe injury or death.

c) Call a local poison control center for treatment information.

f) Non-rechargeable batteries are not to be recharged.

g) Do not force discharge, recharge, disassemble, heat above (-20°C / $+85^{\circ}\text{C}$).

or incinerate. Doing so may result in injury due to venting, leakage or explosion resulting in chemical burns.

d) Compatible battery type (CR2032)

e) Nominal battery voltage(3V)