



# **ARMCHAIR**

# SAFETY & WARNINGS

## Warning

- Do not put HOT items directly on the furniture surface.
- Do not clean the furniture with HARSH cleansers or polish.
- Do not place the furniture under DIRECT sunlight.
- Do not place the furniture near heating or cooling vents.
- Do not write on the furniture without a padded barrier to protect the surface.
- For indoor use only. Do not place furniture outdoors.
- Use a mild soap solution and a damp cloth to remove stains from the furniture.
- Dust the furniture and clean spills with a clean, non-colored, lint-free cloth.

## Safety Information

- Identify all the parts and hardware.
- Keep the packaging until you have confirmed you have all necessary parts and hardware.
- Hardware package may contain spare parts.
- Attention: Keep children and pets away during assembly to prevent the risk of swallowing small parts.
- Ensure that plastic bags are kept away from children and pets to prevent suffocation.
- Assemble the unit on a carpeted floor to prevent scratches.
- Use manual tools for assembly; refrain from using power tools to avoid damaging the unit.

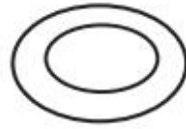
# COMPONENTS



A: Nut (x6)



B: Screw (x8)  
8 x 60mm



C: Washer (x2)



D: Allen Key (x1)



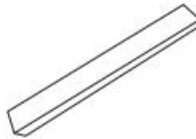
E: Seat (x1)



F: Back (x1)



G: Leg (x2)



H: Crossbar (x2)



I: Nut (x2)



J: Spanner (x1)



K: Bolt (x2)

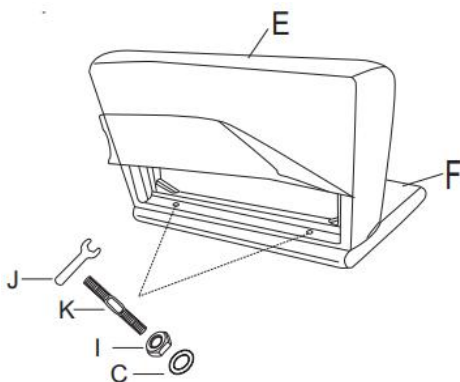


R: Long Screw (x2)  
5 x 40mm

# INSTALLATION

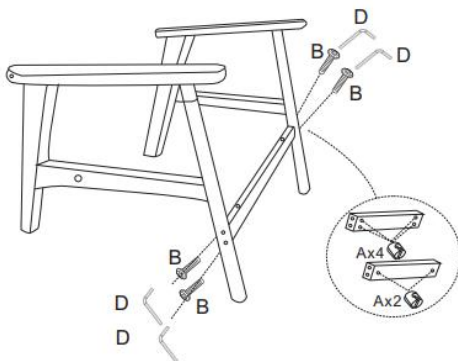
## Step 1

Place (F) on a flat surface. Install (E) to (F) by inserting (C), (I) and (K) into the holes at the bottom of (E). And secure with (J). When finish this step on one end, repeat on the other end.



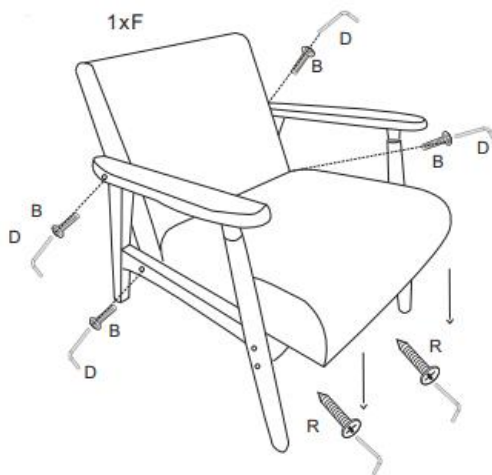
## Step 2

Install (H) with two holes at each end on the front of (G) and secure four (A) in the holes. Install (H) with one hole at each end in the middle of (G) and secure two (A) in the holes. Use (D) to attach (H) and (G) with six (B) as shown in the picture.



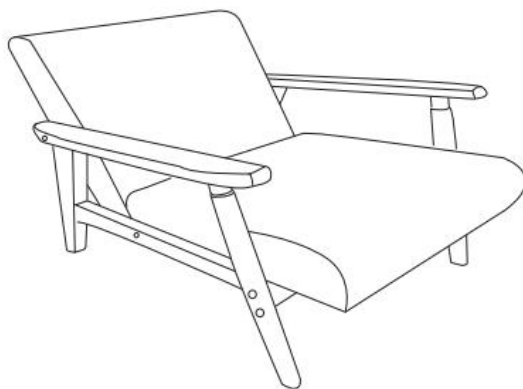
### Step 3

Use (D) to attach (E) and (F) to the basic frame of **Step 2** with two (B) and two (R) as shown in the picture.



### Step 4

Finished.



# CLEANING & CARE

- Wipe the furniture surface regularly with clean water and a soft white cloth.
- Perform general cleaning as required using a mild detergent and water solution.
- After cleaning, always rinse with clean water and thoroughly dry. In case of heavy soiling, dampen a soft white cloth or soft bristle brush and gently wipe it off, but exercise caution to prevent surface damage.
- Address more stubborn stains occasionally rather than on a daily basis.
- After using ANY cleaning solution, ensure thorough removal with clean water and a white cloth to prevent material drying or color alteration.
- DO NOT use any cleaners containing corrosive ingredients such as lye, acids, or ammonia, as they can harm the material.