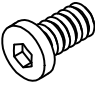
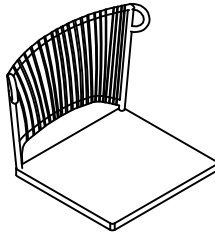
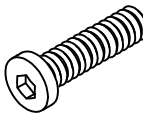
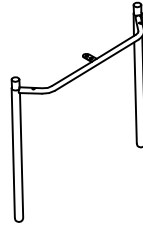

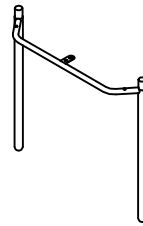




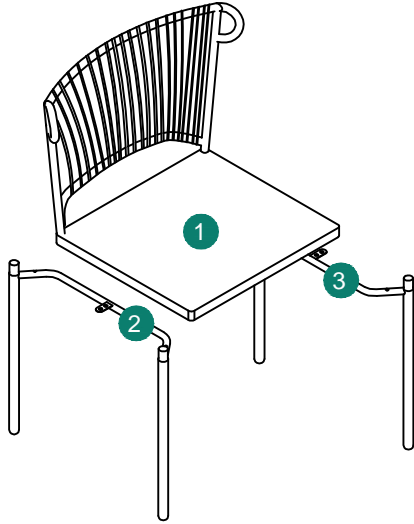
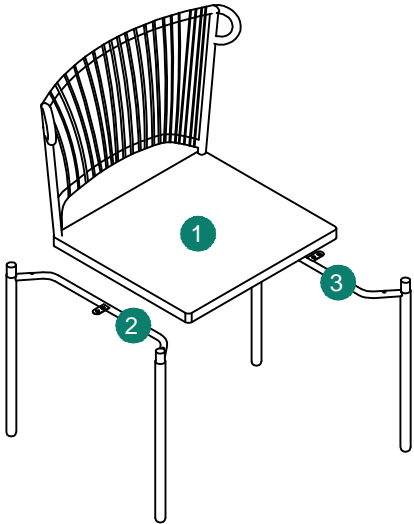
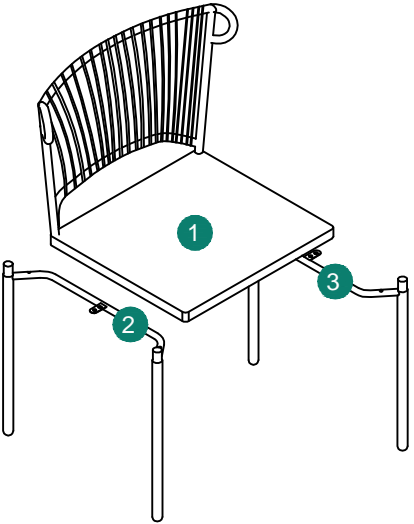
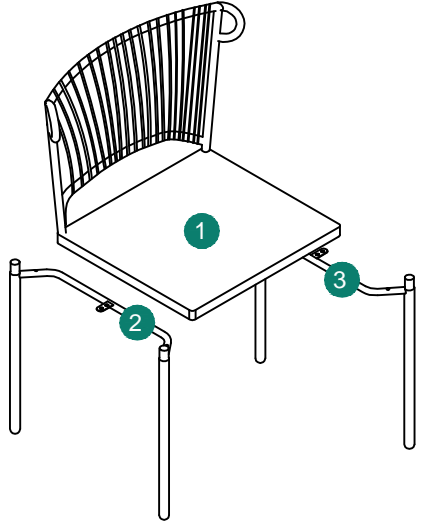
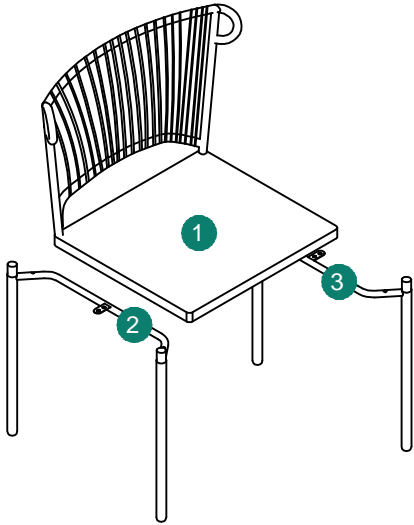
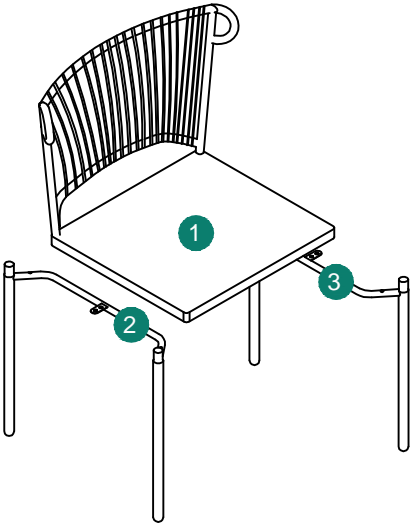
IMPORTANT, RETAIN FOR FUTURE REFERENCE: READ CAREFULLY

Notice:


1. Follow the installation instructions. Please confirm all accessories are preset before installation.
2. Do not fully tighten the screws during initial assembly. Fully tighten screws only once all pieces which are correctly assembled.
3. If you encounter any problems during installation, refer to two solutions: Follow the installation video tutorial on the Amazon product page or contact our customer service.

Item no.	Reference Image	Qty	Item no.	Reference Image	Qty
(A)	 M6*12mm	X12+1	1		X6
(B)	 M6*30mm	X24+2	2		X6
(C)		X36+3	3		X6
-		X1			
 Tips: The number after "+" represents the spare screws.					

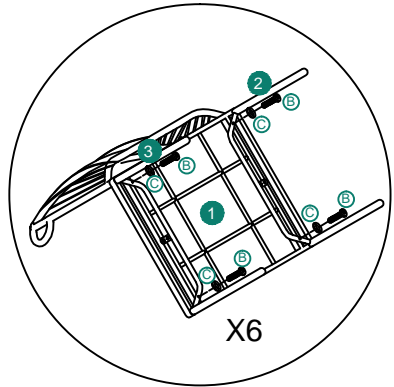
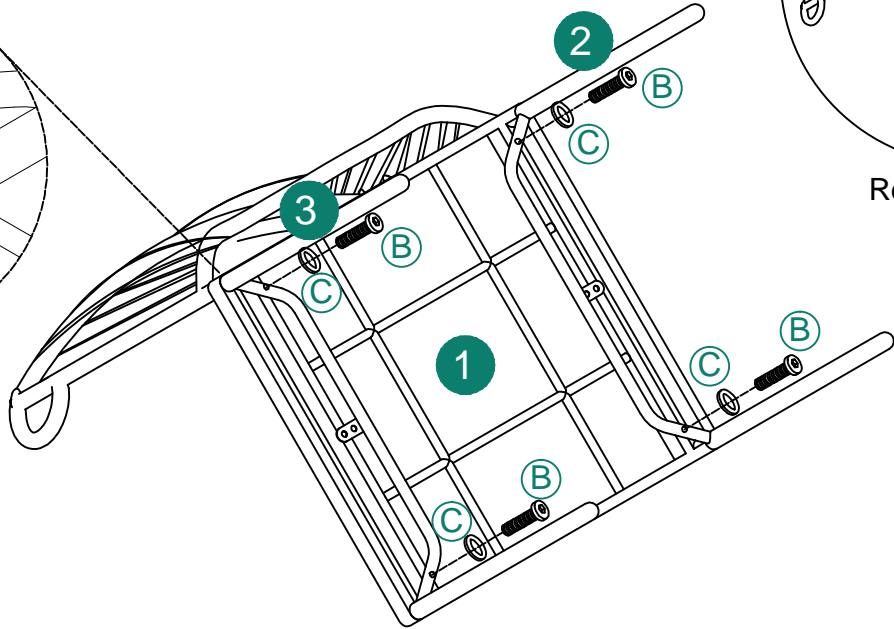
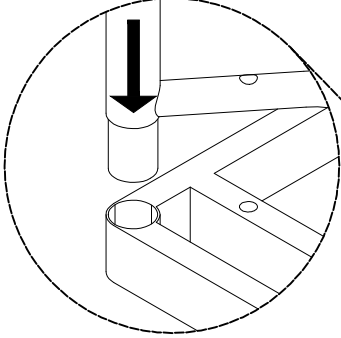
Explosion Diagram



1




Ⓑ 24pcs Ⓒ 24pcs

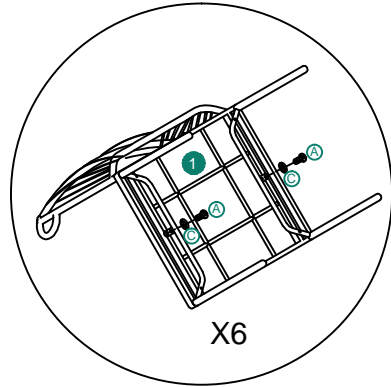


Repeat step 6 twice

2



Ⓐ 12pcs Ⓒ 12pcs



Repeat step 6 twice

