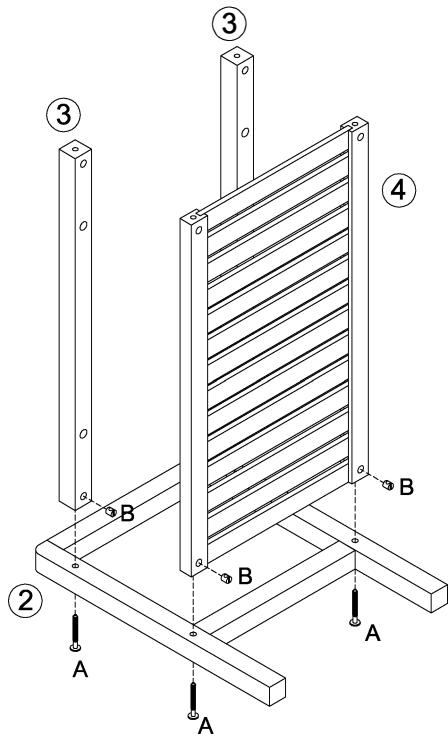
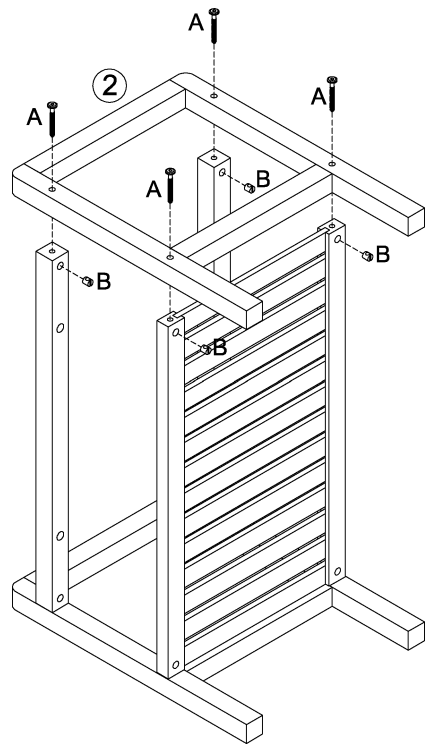


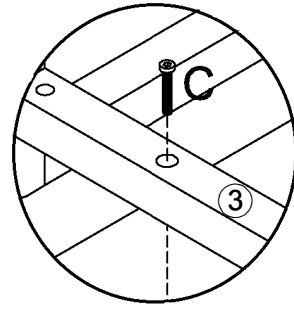
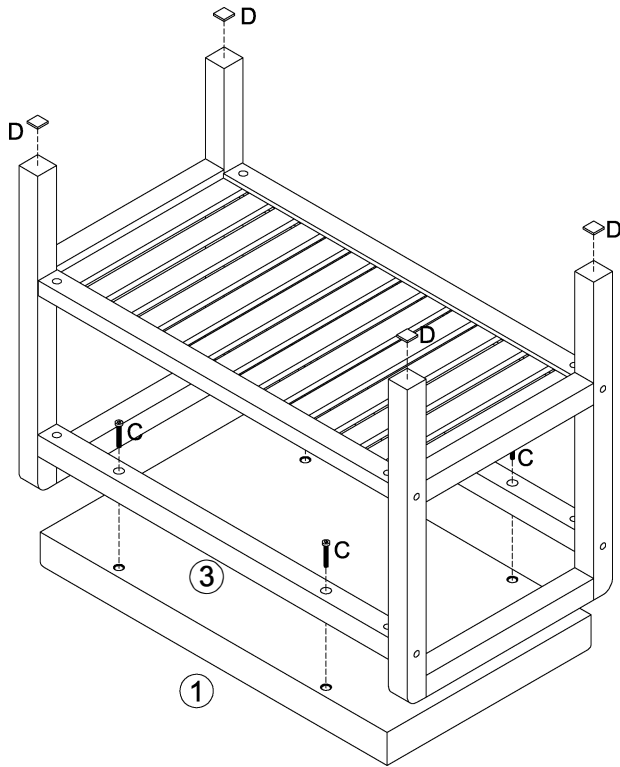
1



2



2



Please note: insert screw "C" into wider hole on the bottom side of part 3. The wider side of this pre-drilled hole should face towards the bottom of the bench, allowing screw "C" to recess when fully tightened.

3

