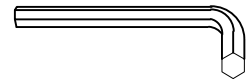


# ASSEMBLY INSTRUCTIONS

## TOOLS REQUIRED



Allen Wrench

(Included)



Phillips  
Screwdriver

(Not Included)



2 - People  
Recommended

## ASSEMBLY RATING



EASY —————> DIFFICULT

The Assembly Rating is a 5-point system showing the level of effort needed to assemble a specific product.



## **CHECK BEFORE STARTING**

### **Are you missing anything?**

Double-check all parts, hardware and accessories listed on Page 6 are accounted for.

### **Check out our Quick Tips!**

We recommend reviewing the pre-assembly handouts. Even experts need a refresher now and then!

### **Should we send any replacements?**

Are there any irregularities or flaws in the parts? We can send replacements!

### **Prep Time!**

Please review the assembly instructions and all diagrams prior to assembling. Arrange parts as recommended on Page 7 and group identical hardware together to make assembling easier.

# PRE ASSEMBLY INTRODUCTION

We understand building ready-to-assemble furniture can be a challenging experience for some. To help avoid confusion, we have provided some helpful tips that may speed up the process.



## Teamwork

ALWAYS have at least two people to help with transporting and assembling the product to avoid potential injury and/or damage.



## Suitable Location

Assembling near the area of the intended location is highly recommended.



## Sufficient Space

Make sure you have enough space to move around during the assembly.



## Avoid Scratches

Use cardboard, blankets or a carpeted area while assembling furniture to prevent scratches.



## Flat Surface

Make sure the furniture rests on a flat and level surface with each leg evenly touching the floor.

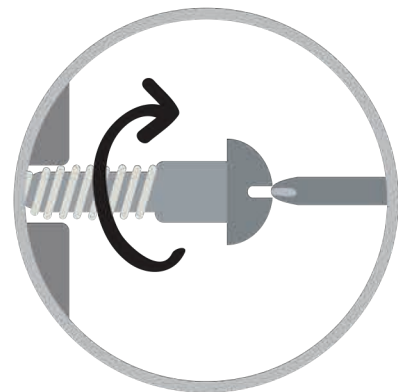
# ASSEMBLY AND CARE ADVICE



**FAILURE TO FOLLOW THE GUIDELINES BELOW MAY  
RESULT IN INJURY AND/OR PROPERTY DAMAGE.**



Position each part correctly  
and insert screws or bolts into  
their respective holes.



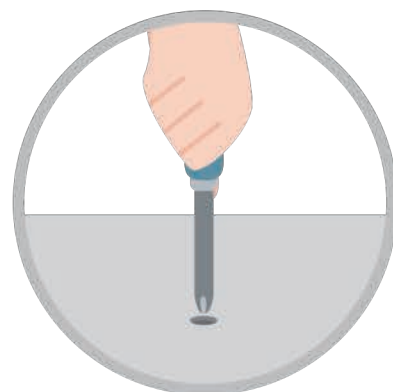
Turn clockwise to tighten and  
only tighten when step is  
completed or when instructed  
to do so.



Use the appropriate hand tools  
or power tools for assembly.  
Select steps, such as tightening  
screws and/or bolts, may require  
hand tools to avoid causing  
damage during assembly.



Save the instructions and store  
any supplied tools for later  
maintenance.



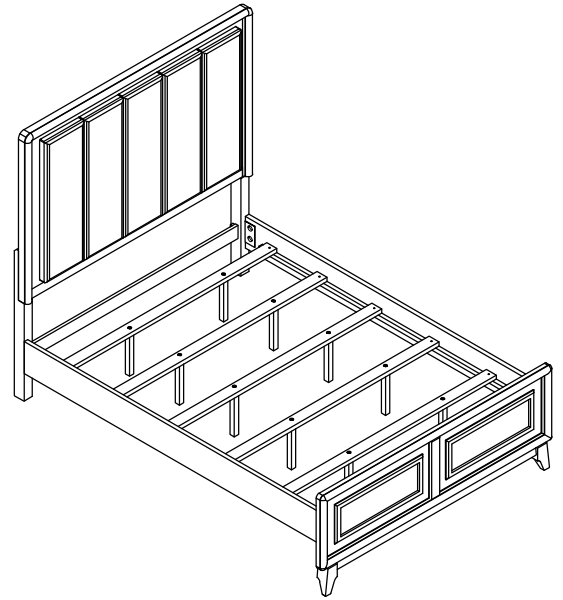
After two weeks, check and  
tighten any loose hardware and  
repeat again every six months  
thereafter.

**IT IS THE USER'S RESPONSIBILITY TO MAINTAIN THE FURNITURE. THE HARDWARE MAY LOOSEN OVER TIME AND MAY CAUSE THE FURNITURE TO BE WOBBLY AND UNABLE TO SUPPORT ITS INTENDED WEIGHT CAPACITY. THIS MAY LEAD TO COLLAPSE AND MAY CAUSE SERIOUS INJURY.**

# E.KING BED

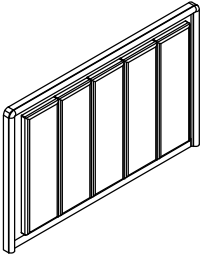


- Please keep instructions for future reference.
- Check the quantity and irregularity of parts and hardware before you start.



## PARTS

#1 1pc



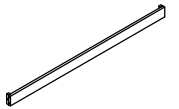
HEADBOARD PANEL

#2 2pcs



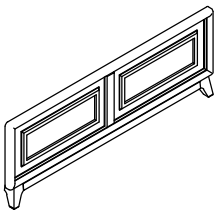
LEGS

#3 1pc



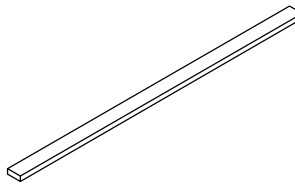
STRETCHER

#4 1pc



FOOTBOARD PANEL

#5 5ps



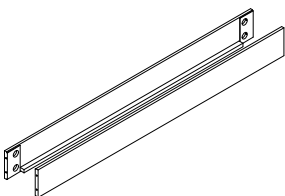
SLAT

#6 10pcs



SUPPORT LEG  
245\*30\*30MM

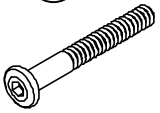
#7 2pcs



SIDE RAILS

# HARDWARE

#A 6pcs



BOLT (5/16" \*1 3/4")

#B 6pcs



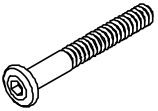
SPRING WASHER (5/16")

#C 6pcs



FLAT WASHER (5/16")\*19MM

#D 2pcs



BOLT (1/4" \*1 5/8")

#E 2pcs



SPRING WASHER (1/4")

#F 2pcs



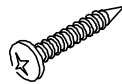
FLAT WASHER (1/4")\*19MM

#G 1pc



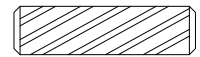
ALLEN KEY M4

#H 10pcs



SCREW (Ø4\*30MM)

#I 4pcs



WOOD DOWEL (8\*30MM)

#J 8pcs



THREAD BOLT  
(5/16 \*3 5/8")

#K 8pcs



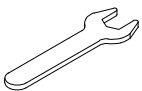
CURVED SLOTTED  
WASHER

#L 8pcs

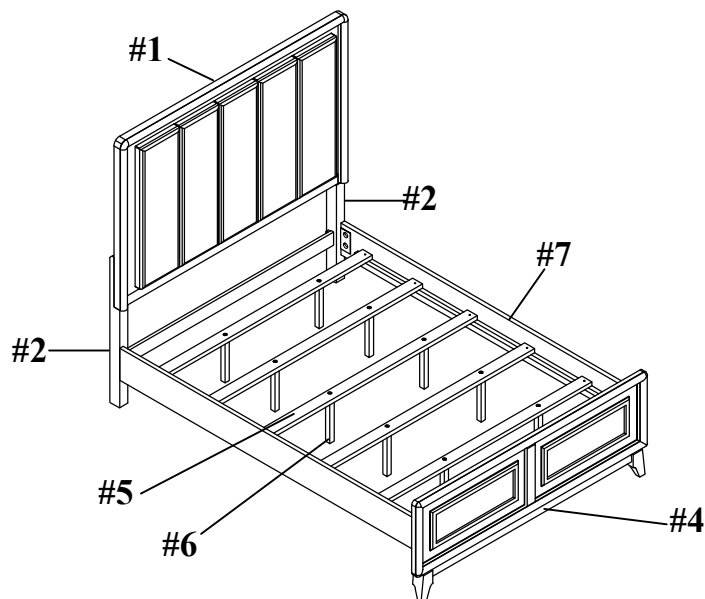


DOUBLE HEX NUT

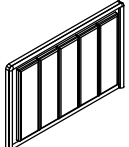









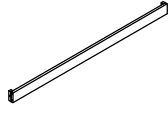
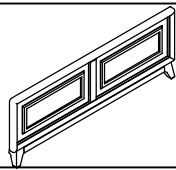
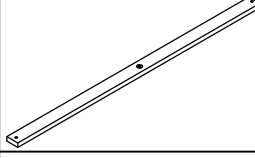


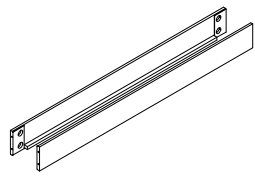




#M 1pc



WRENCH (5/16"\*12MM)



# packed in 3 cases

Carton	Disignation	Part		Hardware
	HEADBOARD	#1		 #A x 6pcs  #B x 6pcs  #C x 6pcs  #D x 2pcs  #E x 2pcs  #F x 2pcs  #G x 1pc  #I x 4pcs
	LEGS	#2		
	STRETCHER	#3		
	FOOTBOARD	#4		
	SLAT	#5		 #G x 10pcs
	SUPPORT LEG	#6		
	SIDE RAILS	#7		 #J x 8pcs  #K x 8pcs  #L x 8pcs  #M x 1pc

# ASSEMBLY INSTRUCTIONS

# 1

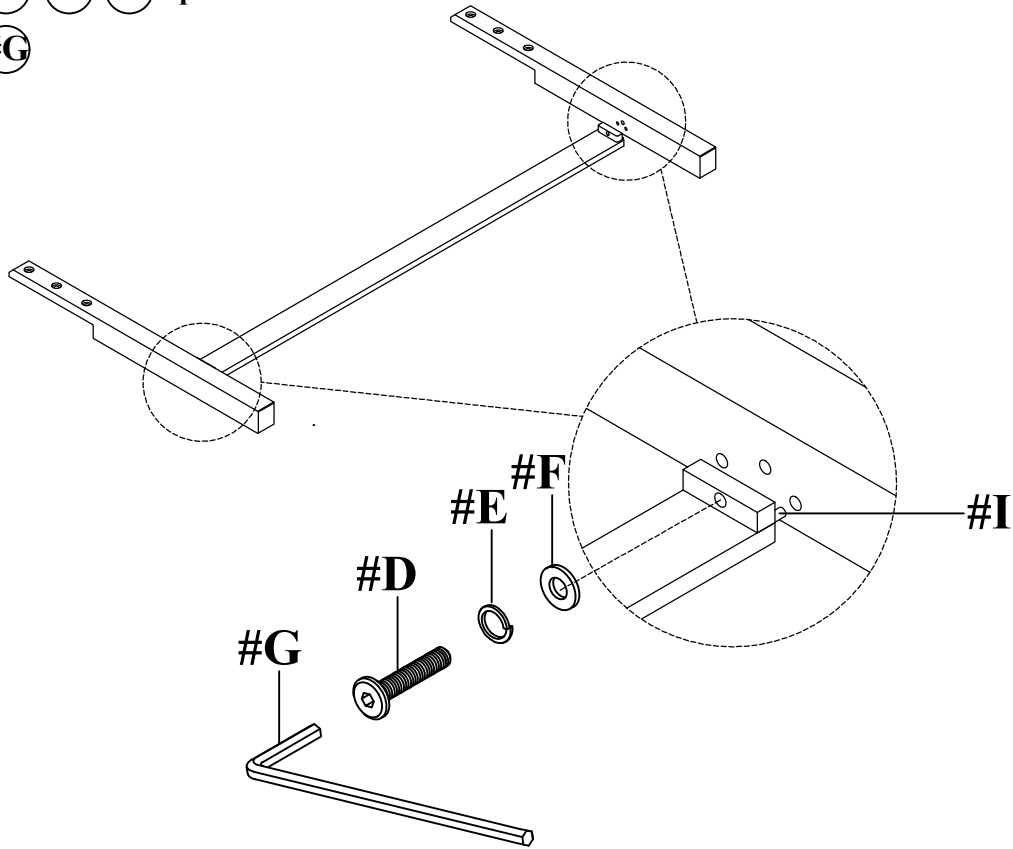
Part #2 2pcs

Part #3 1pc

Hardware #D #E #F 2pcs

Hardware #G

Attach stretcher (#3) to legs (#2).



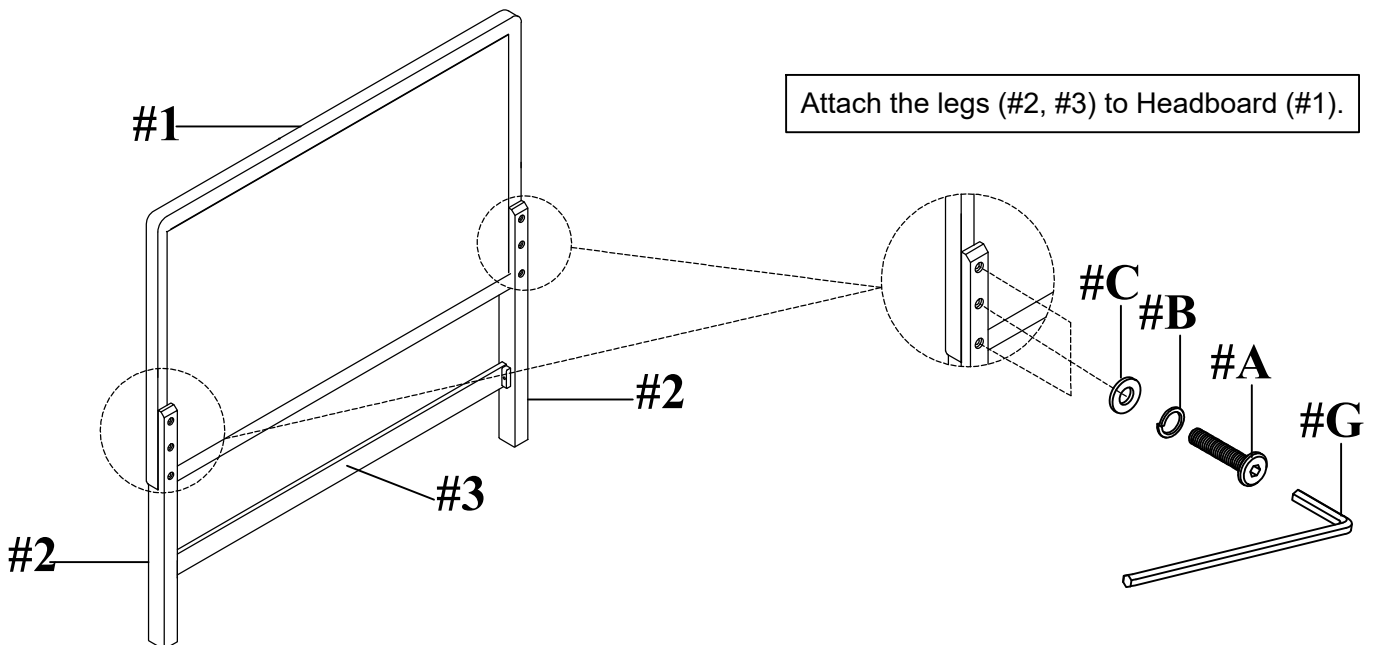
# 2

Part #1 1pc

Hardware #A #B #C 6pcs

Hardware #G

Attach the legs (#2, #3) to Headboard (#1).



# ASSEMBLY INSTRUCTIONS

## 3

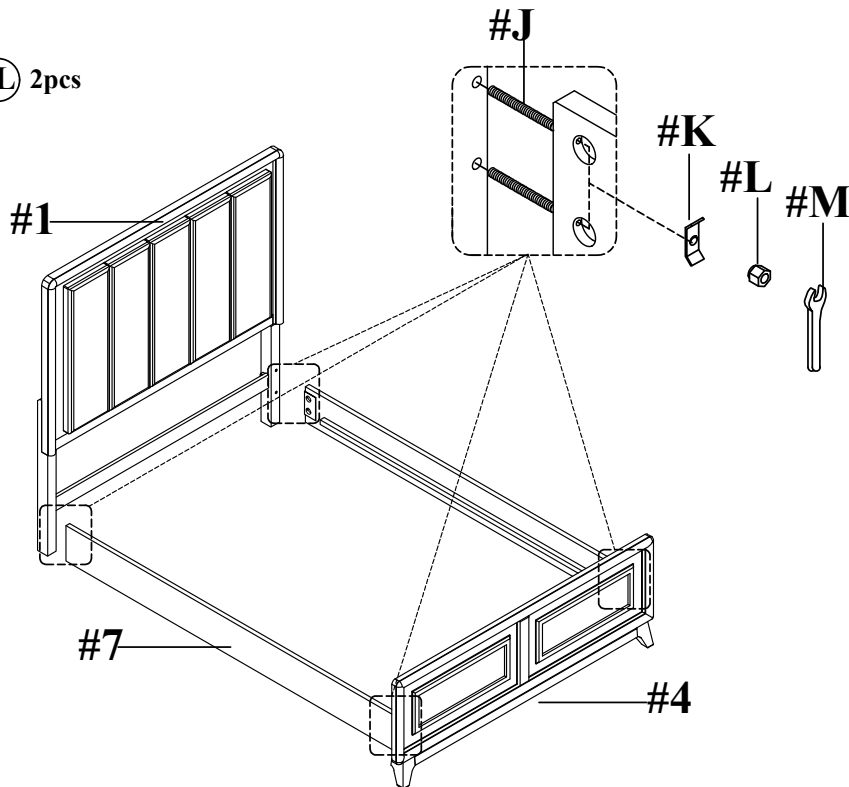
Attach rails (#7) to Headboard and Footboard (#1, #4).

Part #4 1pc

Part #7 2pcs

Hardware #J #K #L 2pcs

Hardware #M



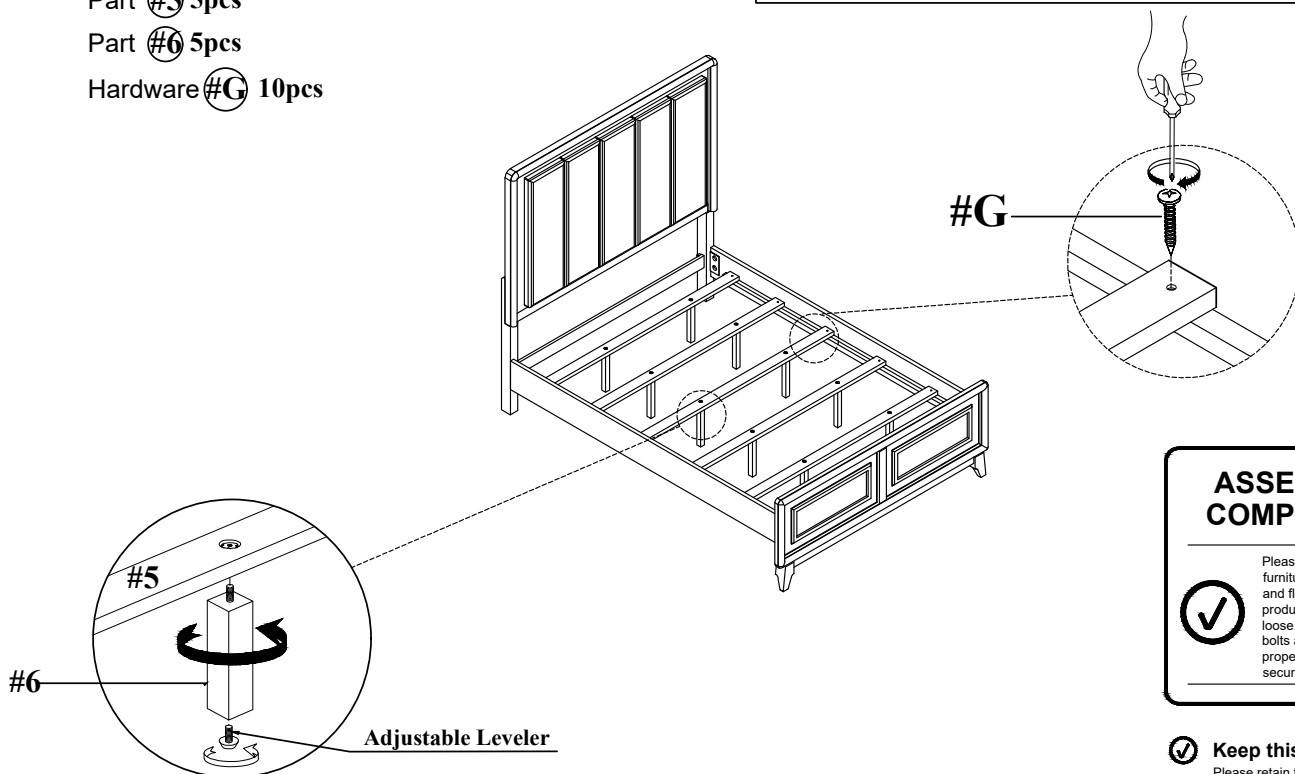
## 4

Part #5 5pcs

Part #6 5pcs

Hardware #G 10pcs

Attach slat and support legs (#5, #6) to Rails (#7).



### ASSEMBLY COMPLETED

Please ensure the furniture rests on an even and flat surface. If the product wobbles or feels loose, double-check all bolts and/or screws are properly tightened and secured.

#### ✓ Keep this handy!

Please retain this instruction manual and any order-related information for future reference.

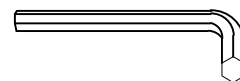
#### ✓ Lift, don't drag!

To avoid damage to product please always LIFT the product when transporting or adjusting the placement.

This product is intended for RESIDENTIAL USE ONLY and not for commercial use.

# ASSEMBLY INSTRUCTIONS

## TOOLS REQUIRED



Allen Wrench

(Included)



Phillips  
Screwdriver

(Not Included)



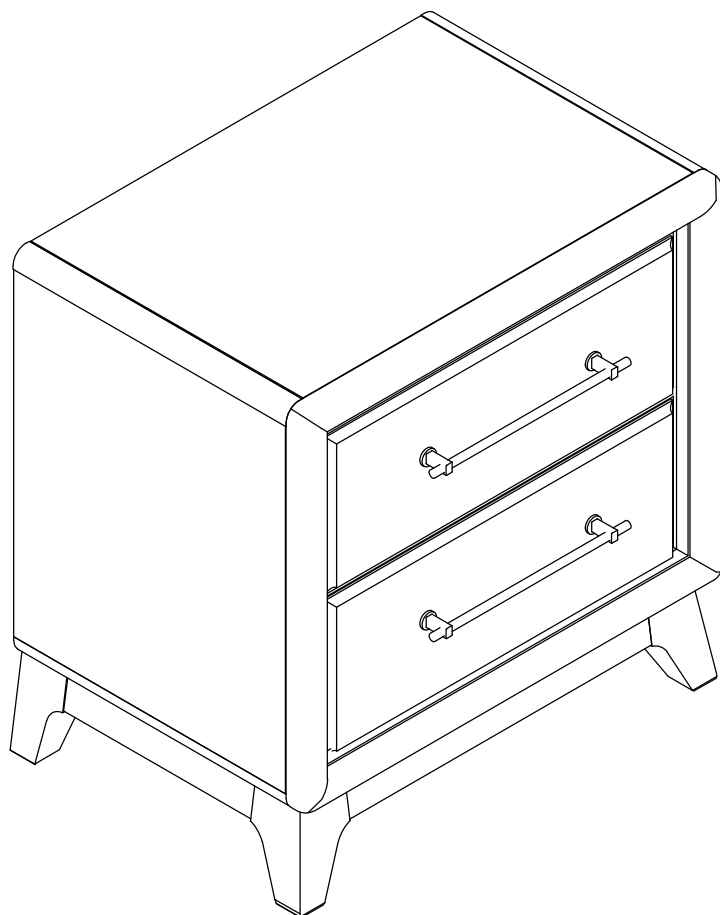
2 - People  
Recommended

## ASSEMBLY RATING



EASY —————> DIFFICULT

The Assembly Rating is a 5-point system showing the level of effort needed to assemble a specific product.





## **CHECK BEFORE STARTING**

### **Are you missing anything?**

Double-check all parts, hardware and accessories listed on Page 6 are accounted for.

### **Check out our Quick Tips!**

We recommend reviewing the pre-assembly handouts. Even experts need a refresher now and then!

### **Should we send any replacements?**

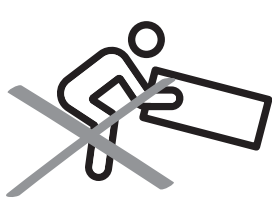
Are there any irregularities or flaws in the parts? We can send replacements!

### **Prep Time!**

Please review the assembly instructions and all diagrams prior to assembling. Arrange parts as recommended on Page 7 and group identical hardware together to make assembling easier.

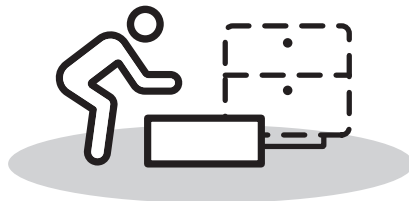
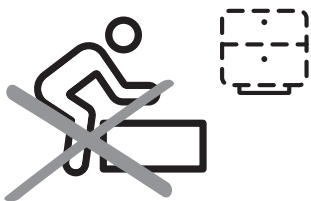
# PRE ASSEMBLY INTRODUCTION

We understand building ready-to-assemble furniture can be a challenging experience for some. To help avoid confusion, we have provided some helpful tips that may speed up the process.



## Teamwork

ALWAYS have at least two people to help with transporting and assembling the product to avoid potential injury and/or damage.



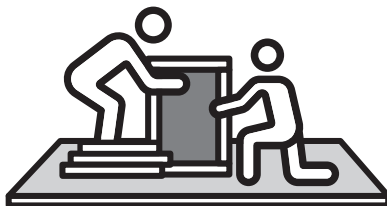
## Suitable Location

Assembling near the area of the intended location is highly recommended.



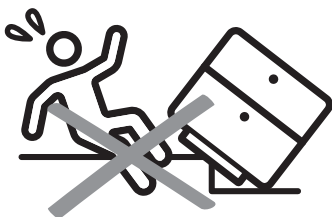
## Sufficient Space

Make sure you have enough space to move around during the assembly.



## Avoid Scratches

Use cardboard, blankets or a carpeted area while assembling furniture to prevent scratches.



## Flat Surface

Make sure the furniture rests on a flat and level surface with each leg evenly touching the floor.

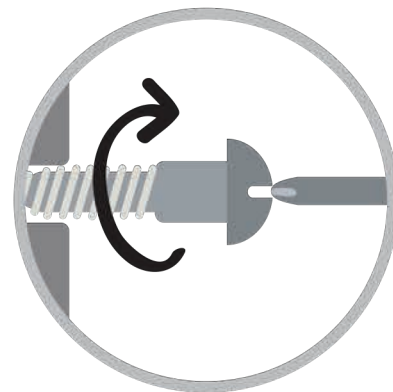
# ASSEMBLY AND CARE ADVICE



**FAILURE TO FOLLOW THE GUIDELINES BELOW MAY RESULT IN INJURY AND/OR PROPERTY DAMAGE.**



Position each part correctly and insert screws or bolts into their respective holes.



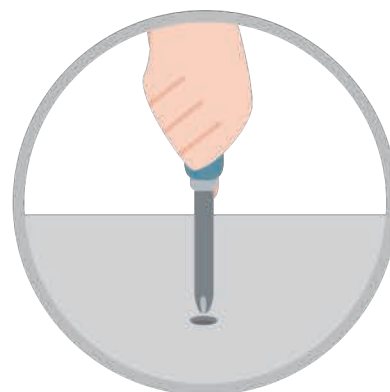
Turn clockwise to tighten and only tighten when step is completed or when instructed to do so.



Use the appropriate hand tools or power tools for assembly. Select steps, such as tightening screws and/or bolts, may require hand tools to avoid causing damage during assembly.



Save the instructions and store any supplied tools for later maintenance.



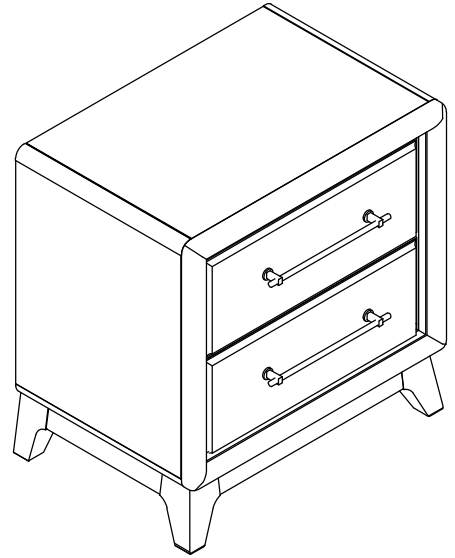
After two weeks, check and tighten any loose hardware and repeat again every six months thereafter.

**IT IS THE USER'S RESPONSIBILITY TO MAINTAIN THE FURNITURE. THE HARDWARE MAY LOOSEN OVER TIME AND MAY CAUSE THE FURNITURE TO BE WOBBLY AND UNABLE TO SUPPORT ITS INTENDED WEIGHT CAPACITY. THIS MAY LEAD TO COLLAPSE AND MAY CAUSE SERIOUS INJURY.**

# NIGHTSTAND

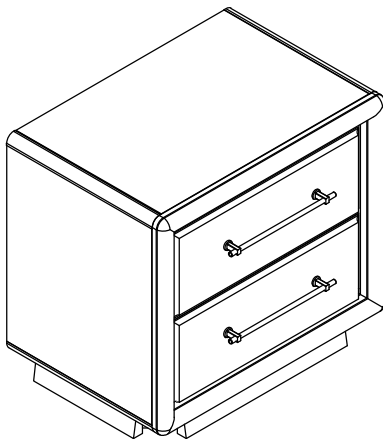


- Please keep instructions for future reference.
- Check the quantity and irregularity of parts and hardware before you start.



## PARTS

#1 1pc



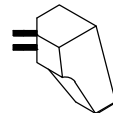
NIGHTSTAND

#2 1pc



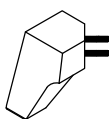
FRONT BUN FOOT (L)

#3 1pc



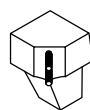
FRONT BUN FOOT (R)

#4 1pc



BACK BUN FOOT (L)

#5 1pc



BACK BUN FOOT (R)

# HARDWARE

#A 8pcs



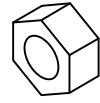
FLAT WASHER  
(5/16") \*19MM

#B 8pcs



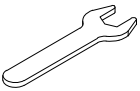
SPRING WASHER (5/16")

#C 8pcs



HEX NUT (5/16\*12MM)

#D 1pc

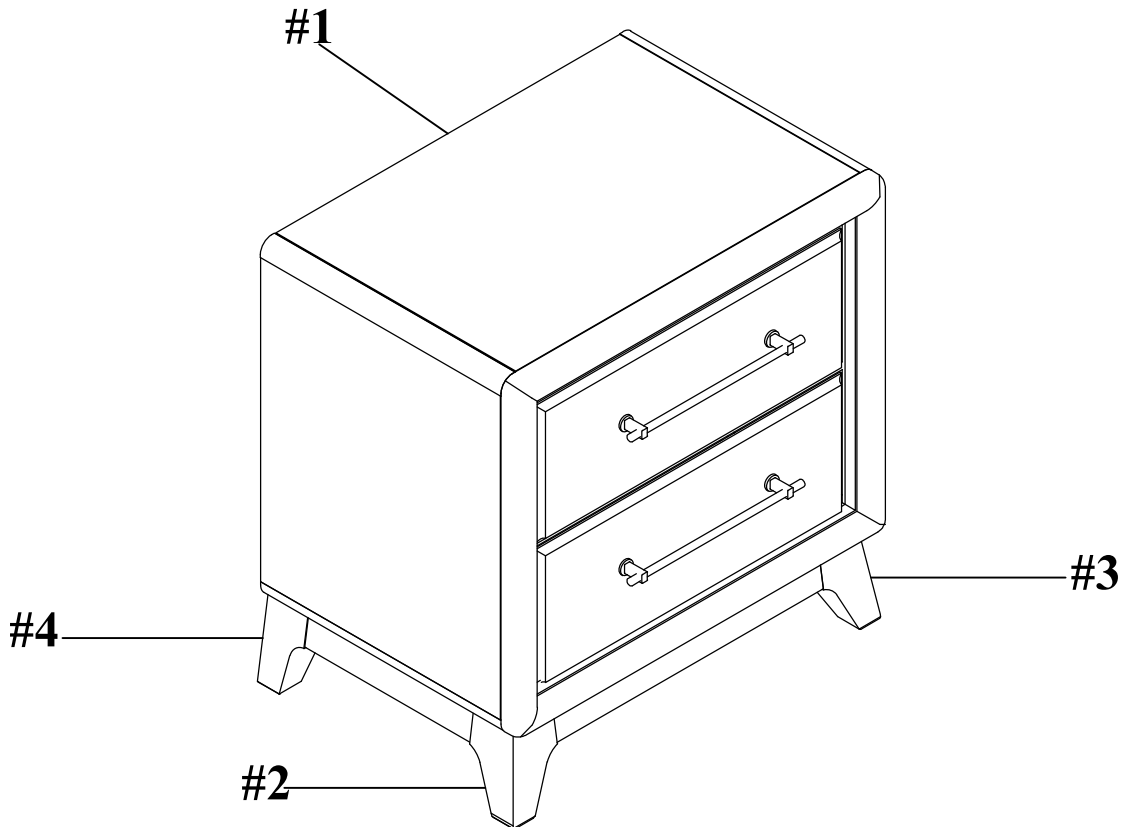


WRENCH (5/16"\*12MM)

#E 1pc



TIPPING RESTRAINT X 1



# ASSEMBLY INSTRUCTIONS

# 1

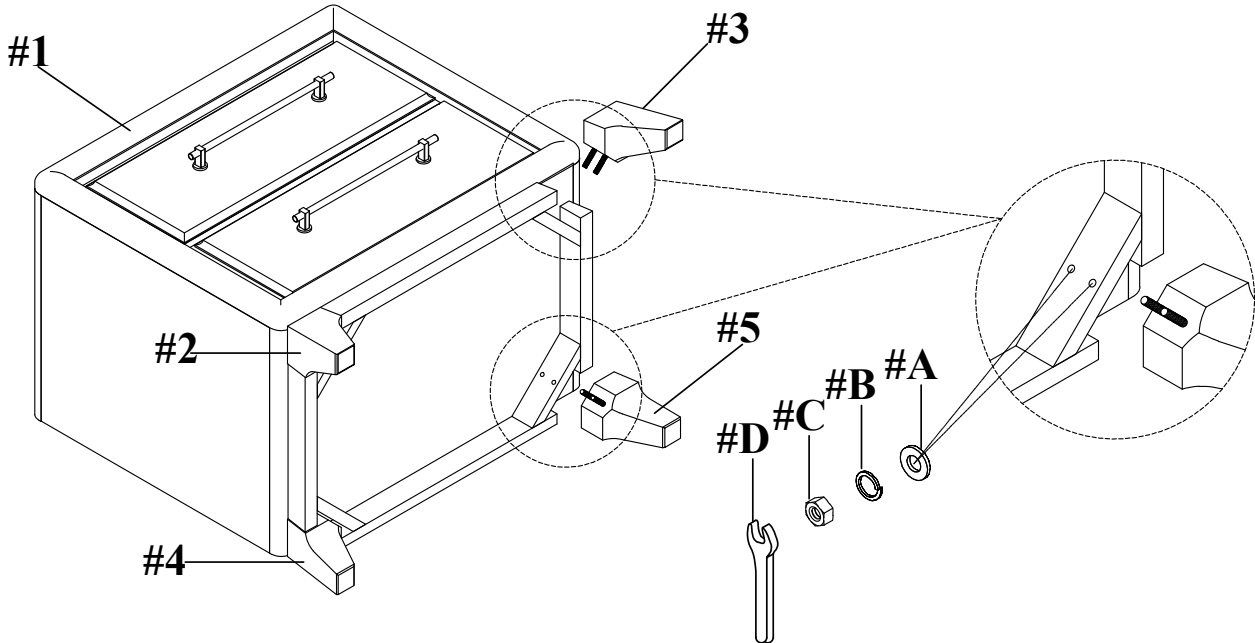
Part #1 1pc

Part #2 #3 #4 #5 1pc

Hardware #A #B #C 8pcs

Hardware #D 1pc

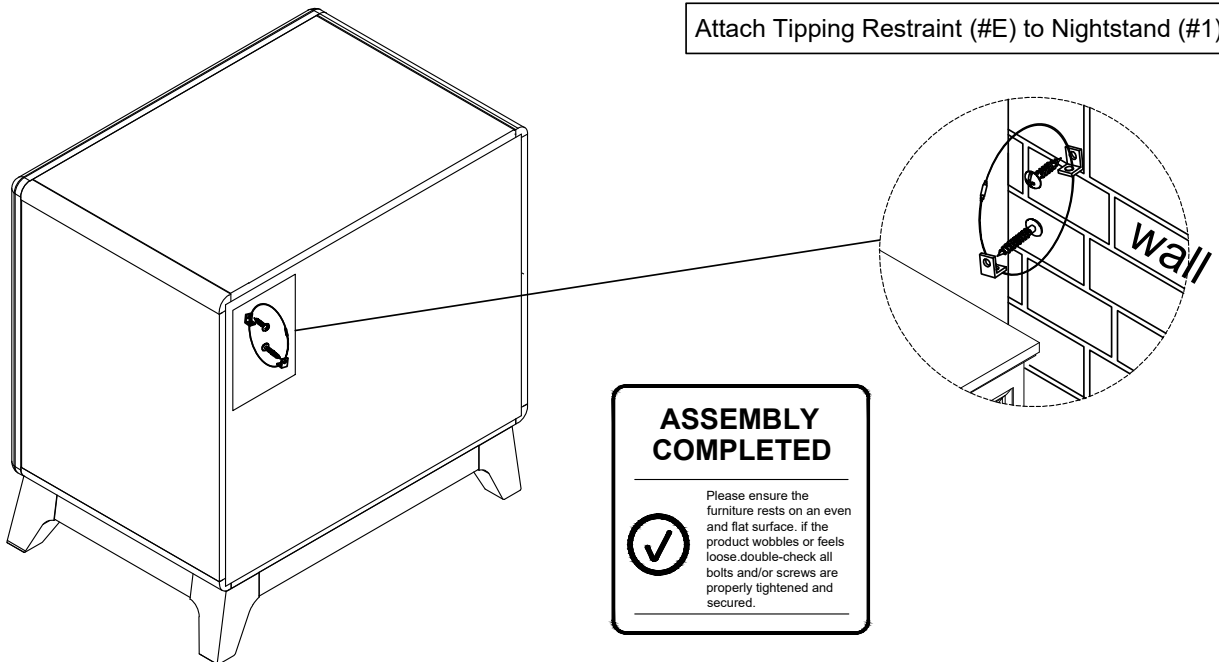
Attach foot (#2, #3, #4, #5) to nightstand (#1).



# 2

Hardware #E 1pc

Attach Tipping Restraint (#E) to Nightstand (#1).



✔ **Keep this handy!**

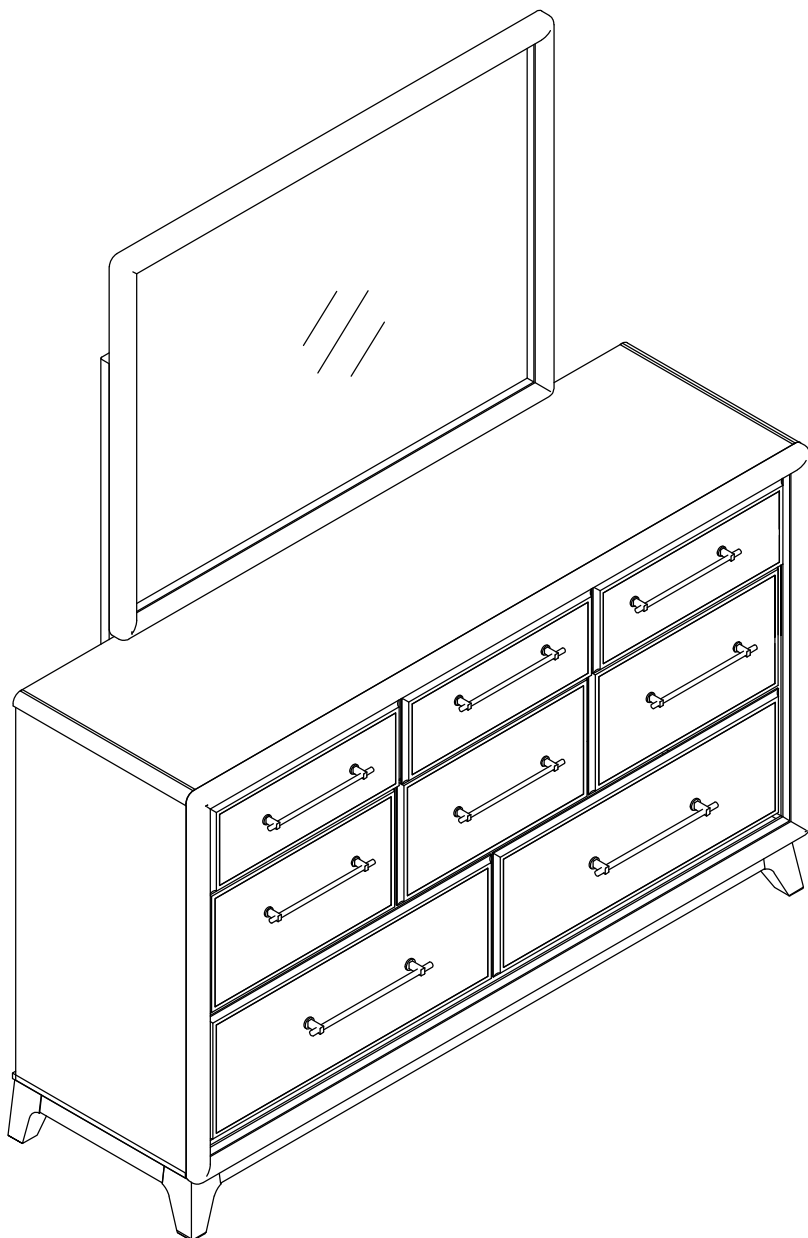
Please retain this instruction manual and any order-related information for future reference.

✔ **Lift, don't drag!**

To avoid damage to product please always LIFT the product when transporting or adjusting the placement.

This product is intended for RESIDENTIAL USE ONLY and not for commercial use.

# ASSEMBLY INSTRUCTIONS



## TOOLS REQUIRED



Allen Wrench

(Included)



Phillips  
Screwdriver

(Not Included)



2 - People  
Recommended

## ASSEMBLY RATING



EASY —————> DIFFICULT

The Assembly Rating is a 5-point system showing the level of effort needed to assemble a specific product.



## **CHECK BEFORE STARTING**

### **Are you missing anything?**

Double-check all parts, hardware and accessories listed on Page 6 are accounted for.

### **Check out our Quick Tips!**

We recommend reviewing the pre-assembly handouts. Even experts need a refresher now and then!

### **Should we send any replacements?**

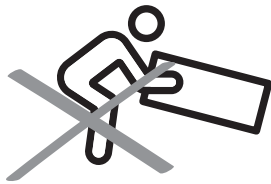
Are there any irregularities or flaws in the parts? We can send replacements!

### **Prep Time!**

Please review the assembly instructions and all diagrams prior to assembling. Arrange parts as recommended on Page 7 and group identical hardware together to make assembling easier.

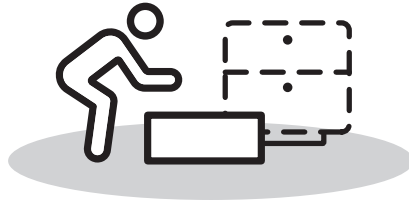
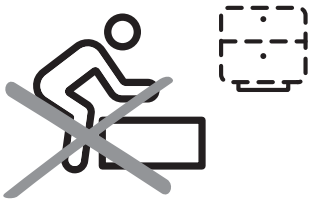
# PRE ASSEMBLY INTRODUCTION

We understand building ready-to-assemble furniture can be a challenging experience for some. To help avoid confusion, we have provided some helpful tips that may speed up the process.



## Teamwork

ALWAYS have at least two people to help with transporting and assembling the product to avoid potential injury and/or damage.



## Suitable Location

Assembling near the area of the intended location is highly recommended.



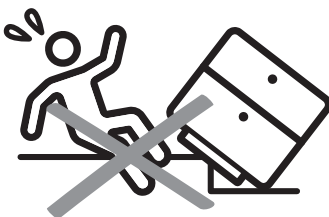
## Sufficient Space

Make sure you have enough space to move around during the assembly.



## Avoid Scratches

Use cardboard, blankets or a carpeted area while assembling furniture to prevent scratches.



## Flat Surface

Make sure the furniture rests on a flat and level surface with each leg evenly touching the floor.

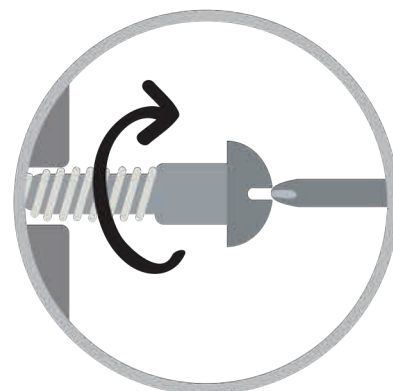
# ASSEMBLY AND CARE ADVICE



**FAILURE TO FOLLOW THE GUIDELINES BELOW MAY RESULT IN INJURY AND/OR PROPERTY DAMAGE.**



Position each part correctly and insert screws or bolts into their respective holes.



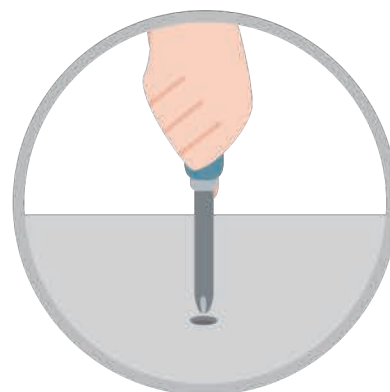
Turn clockwise to tighten and only tighten when step is completed or when instructed to do so.



Use the appropriate hand tools or power tools for assembly. Select steps, such as tightening screws and/or bolts, may require hand tools to avoid causing damage during assembly.



Save the instructions and store any supplied tools for later maintenance.



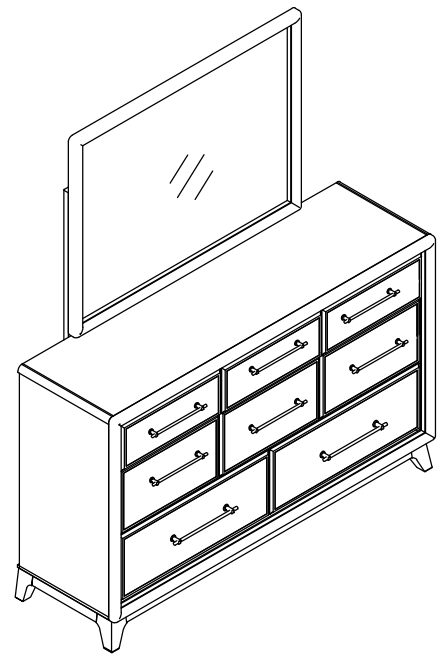
After two weeks, check and tighten any loose hardware and repeat again every six months thereafter.

**IT IS THE USER'S RESPONSIBILITY TO MAINTAIN THE FURNITURE. THE HARDWARE MAY LOOSEN OVER TIME AND MAY CAUSE THE FURNITURE TO BE WOBBLY AND UNABLE TO SUPPORT ITS INTENDED WEIGHT CAPACITY. THIS MAY LEAD TO COLLAPSE AND MAY CAUSE SERIOUS INJURY.**

# DRESSER MIRROR

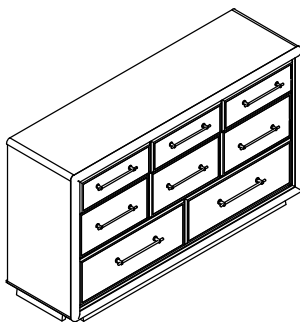


- Please keep instructions for future reference.
- Check the quantity and irregularity of parts and hardware before you start.



## PARTS

#1 1pc



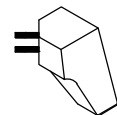
DRESSER

#2 1pc



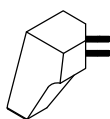
FRONT BUN FOOT (L)

#3 1pc



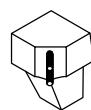
FRONT BUN FOOT (R)

#4 1pc



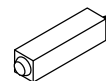
BACK BUN FOOT (L)

#5 1pc



BACK BUN FOOT (R)

#6 1pc



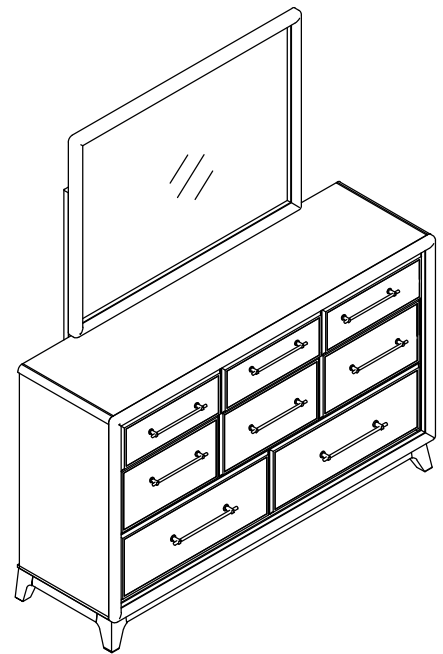
SUPPORT LEG  
98\*30\*30MM

# DRESSER MIRROR

---

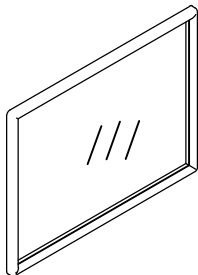


- Please keep instructions for future reference.
- Check the quantity and irregularity of parts and hardware before you start.



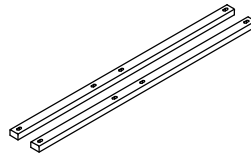
## PARTS

#7 1pc



MIRROR

#8 2pcs



MIRROR SUPPORT

# HARDWARE

#A 8pcs



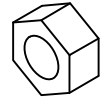
FLAT WASHER  
(5/16")\*19MM

#B 8pcs



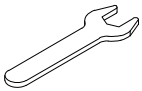
SPRING WASHER (5/16")

#C 8pcs



HEX NUT (5/16\*12MM)

#D 1pc



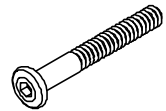
WRENCH (5/16"\*12MM)

#E 1pc



TIPPING RESTRAINT X 1

#F 8pcs



BOLT (1/4" \* 1 3/4")

#G 8pcs



SPRING WASHER (1/4")

#H 8pcs

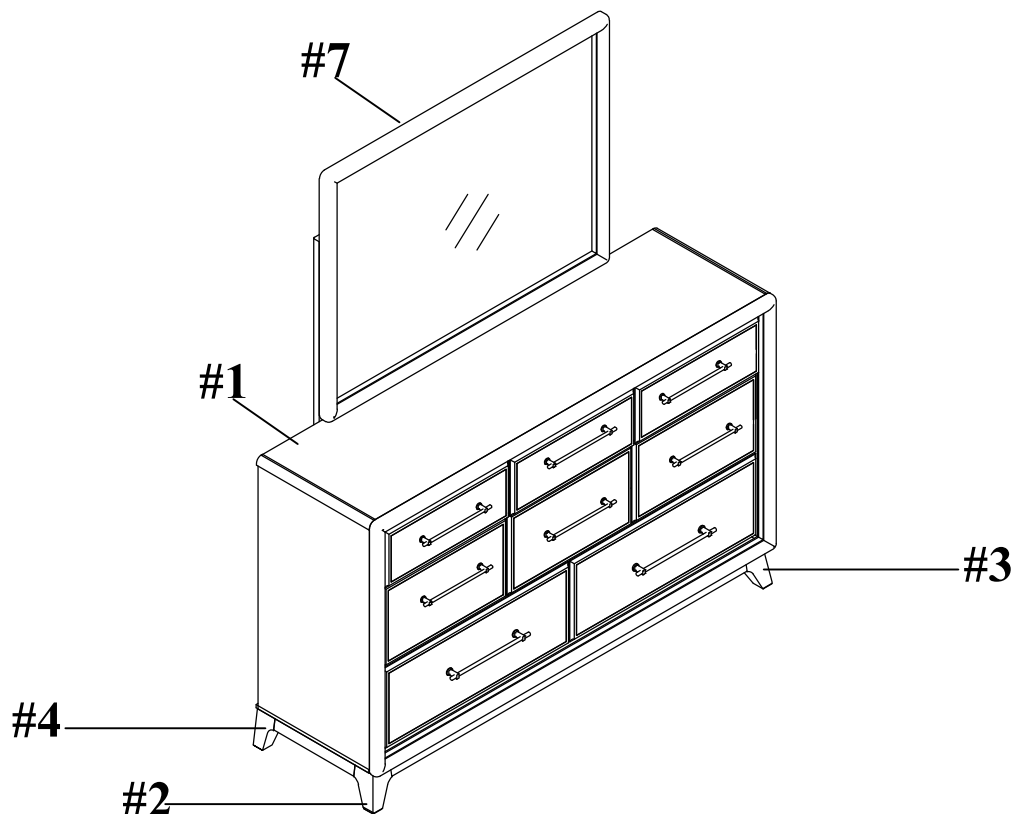


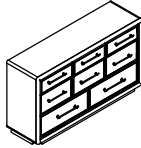




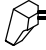




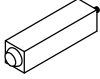
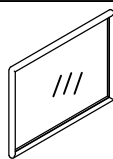


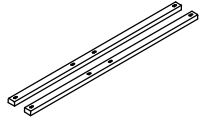


FLAT WASHER (1/4")\*19MM

#I 1pc



ALLEN KEY M4



Carton	Disignation	Part		Hardware
	<b>DRESSER</b>	<b>#1</b>		
	<b>FRONT BUN FOOT (L)</b>	<b>#2</b>		 <b>#A x 8pcs</b>
	<b>FRONT BUN FOOT (R)</b>	<b>#3</b>		 <b>#B x 8pcs</b>
	<b>BACK BUN FOOT (L)</b>	<b>#4</b>		 <b>#C x 8pcs</b>
	<b>BACK BUN FOOT (R)</b>	<b>#5</b>		 <b>#D x 1pc</b>  <b>#E x 1pc</b>
	<b>SUPPORT LEG</b>	<b>#6</b>		
	<b>MIRROR</b>	<b>#7</b>		 <b>#F x 8pcs</b>  <b>#G x 8pcs</b>
	<b>MIRROR SUPPORT</b>	<b>#8</b>		 <b>#H x 8pcs</b>  <b>#I x 1pc</b>

# ASSEMBLY INSTRUCTIONS

## 1

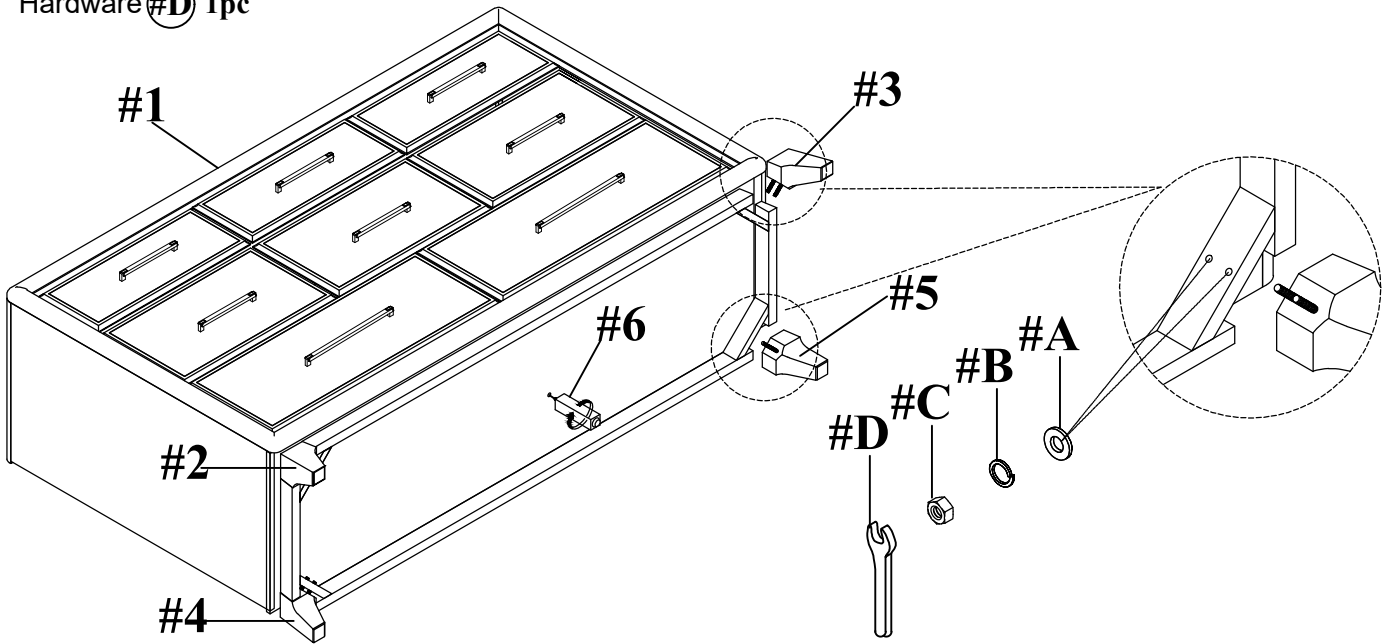
Part #1 1pc

Part #2 #3 #4 #5 #6 1pc

Hardware #A #B #C 8pcs

Hardware #D 1pc

Attach foot (#2, #3, #4, #5, #6) to Chest (#1).



## 2

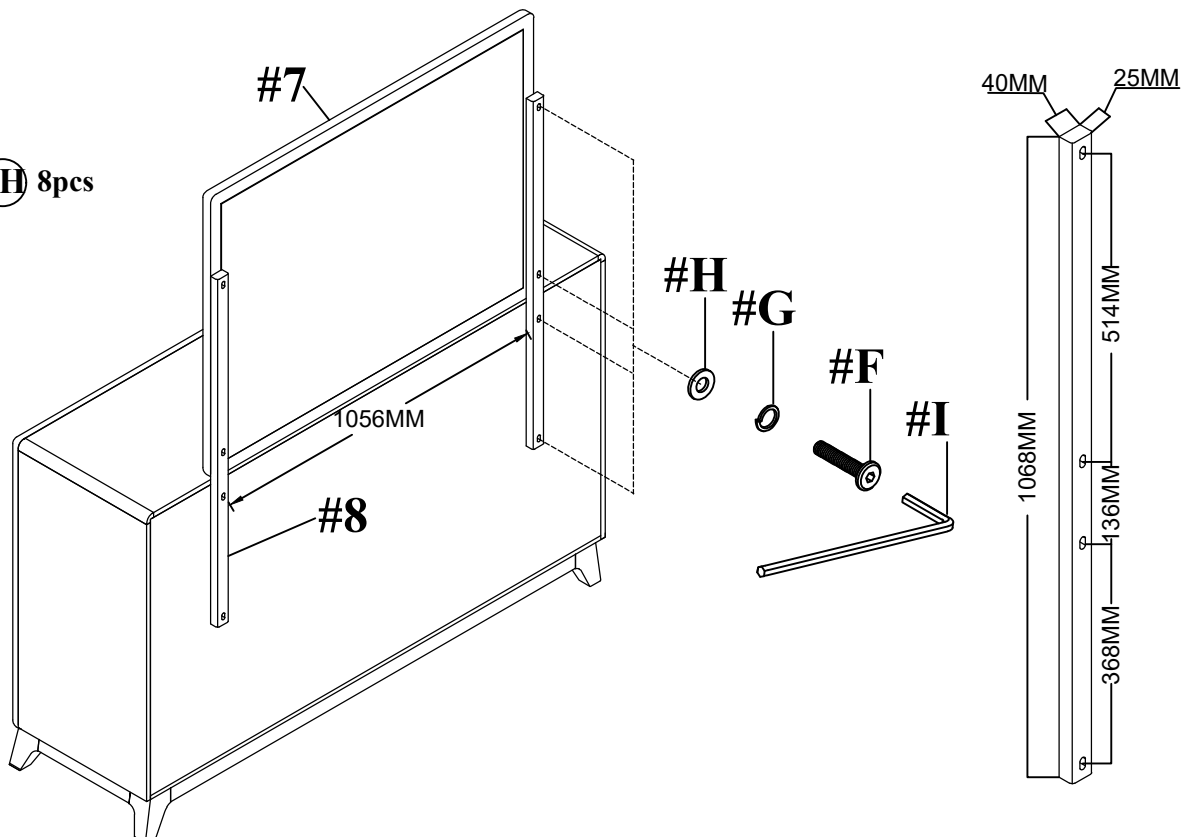
Part #7 1pc

Part #8 2pcs

Hardware #F #G #H 8pcs

Hardware #I 1pc

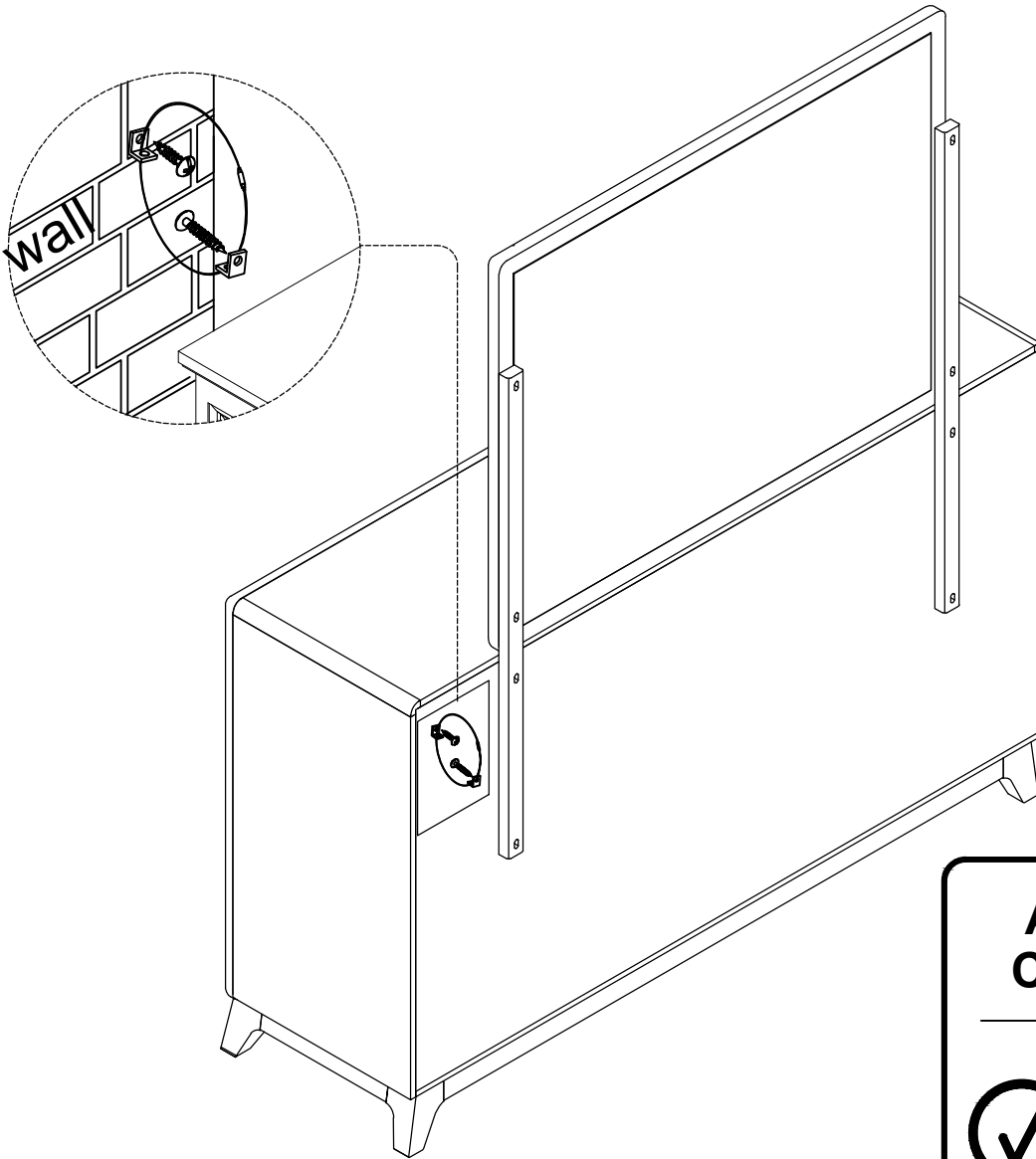
Attach support mirror (#8) to Mirror and Dresser (#1).



# ASSEMBLY INSTRUCTIONS

**3** Hardware **#E** 1pc

Attach Tipping Restraint (#E) to Dresser (#1).



## ASSEMBLY COMPLETED



Please ensure the furniture rests on an even and flat surface. If the product wobbles or feels loose, double-check all bolts and/or screws are properly tightened and secured.



### Keep this handy!

Manual retain this instruction manual and any order-related information for future reference.



### Lift, don't drag!

To avoid damage to product please always LIFT the product when transporting or adjusting the placement.

This product is intended for RESIDENTIAL USE ONLY and not for commercial use.