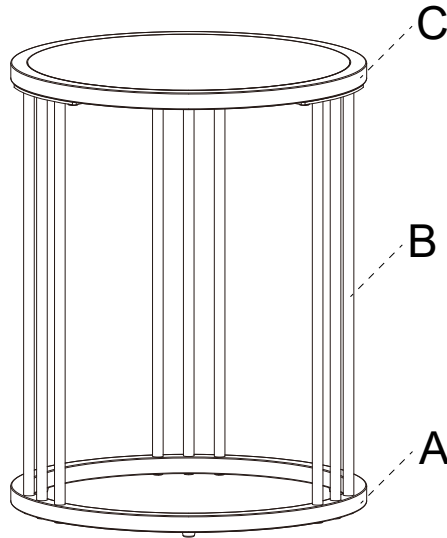


# SK-HLA4M09001-Y2

## Assembly Instructions

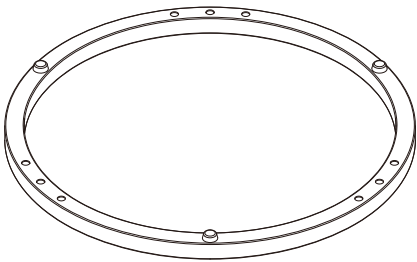


Assemble on the pad to prevent scratching the product.  
Do not tighten all screws before instructions prompt.

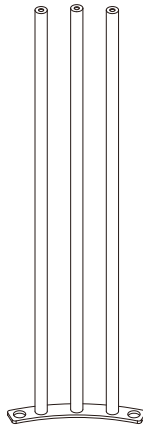


## Parts List

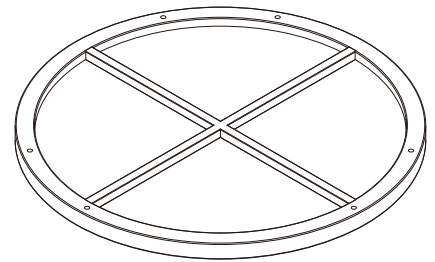
Open the hardware check all parts QTY, thanks



**A x 1**  
( Bottom frame )



**B x 3**  
( Mid frame )



**C x 1**  
( Top frame )

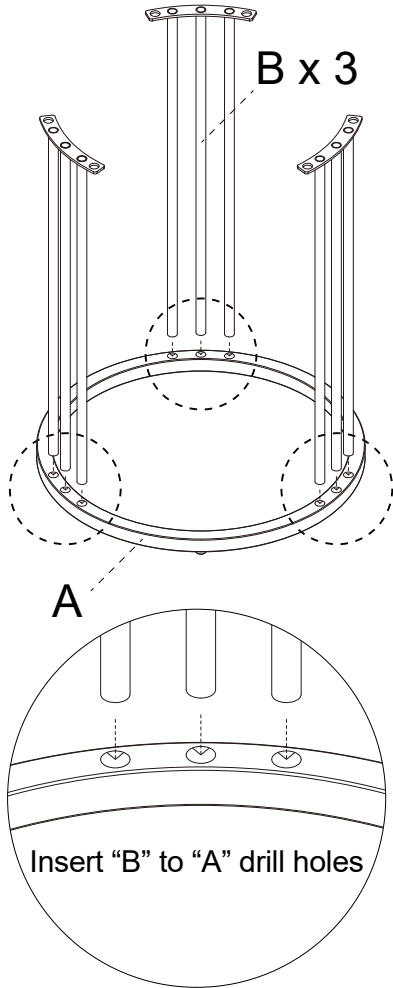


**D x 15**  
( Short screws )

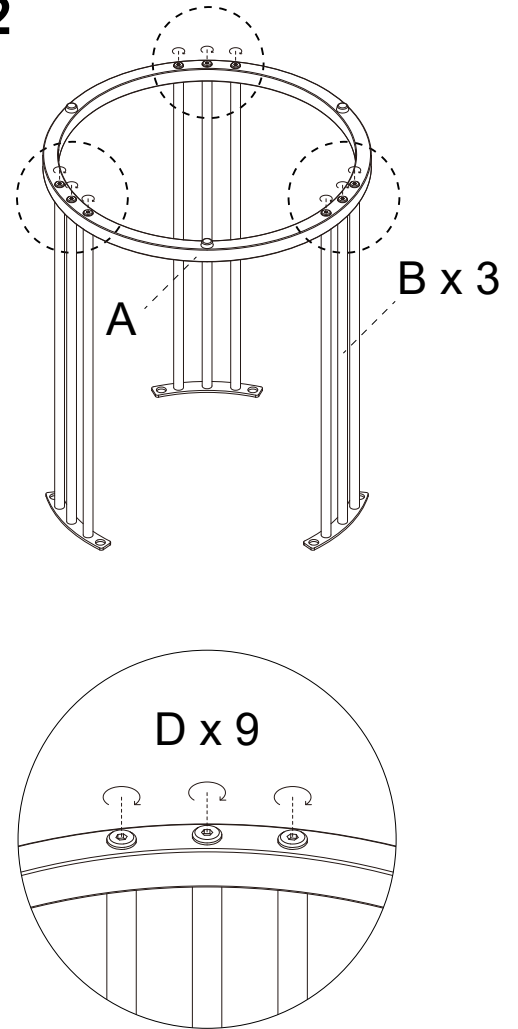


**E x 1**  
( Wrench, tighten clockwise )

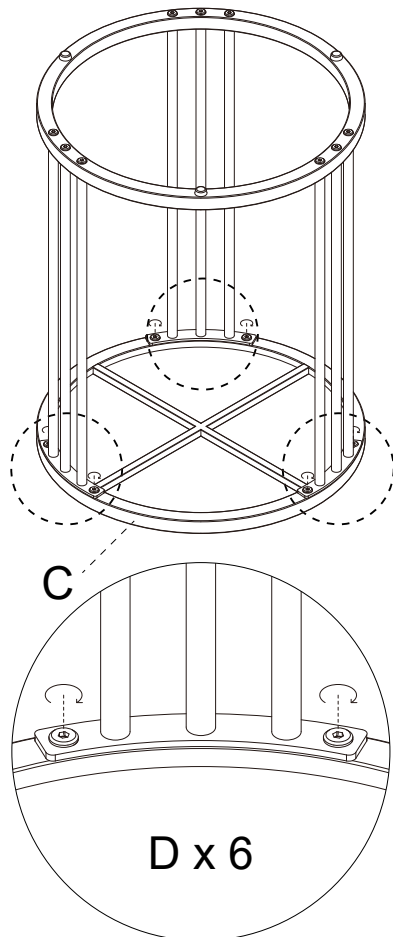
## Step 1



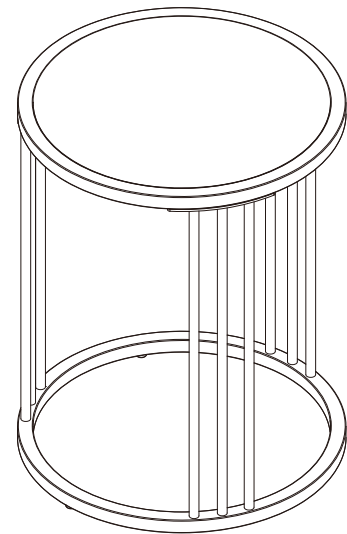
## Step 2



## Step 3



## Step 4



Tighten all screws and turn it over to finish.



SCAN ME

<https://www.sumkea.com/p...ustomer-service>