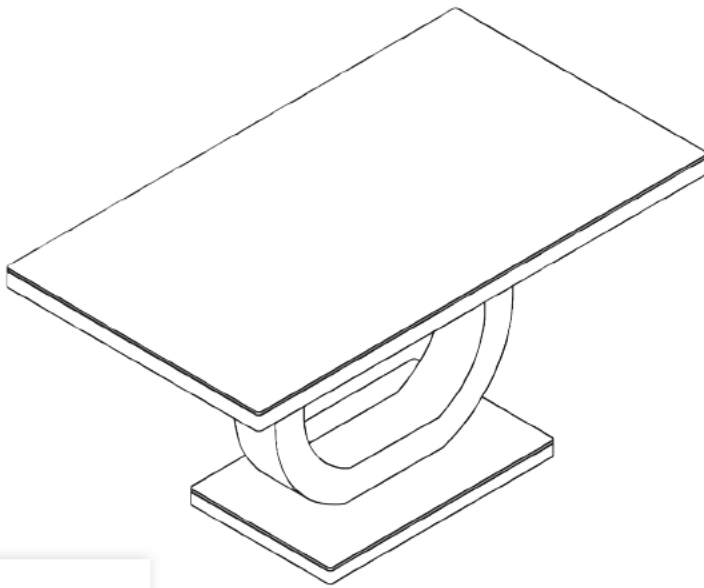


ASSEMBLY GUIDE



Important - Please read these instructions fully before starting assembly



**SAFETY AND
CARE ADVICE**



NO POWER TOOLS

SAFETY AND CARE ADVICE

- Check you have all the components and tools listed.
- Remove all fittings from the plastic bags and separate them into their groups.
- We do not recommend the use of power drills/drivers for inserting screws, as this could damage the unit. Only use hand screwdrivers and Allen keys.
- Keep children and animals away from the work area, small parts could cause choking if swallowed.
- Make sure you have enough space to layout the parts before starting.
- Assemble the item as close to its final position (in the same room) as possible.
- Do not overtighten the nuts to avoid causing damage to the threads.
- Only clean using a damp cloth and mild detergent, do not use bleach or abrasive cleaners.
- From time to time check that there are no loose screws on this unit
- This product should not be discarded with household waste. Take to your local authority waste disposal centre

IMPORTANT INFORMATION



45 MINUTE
BUILD

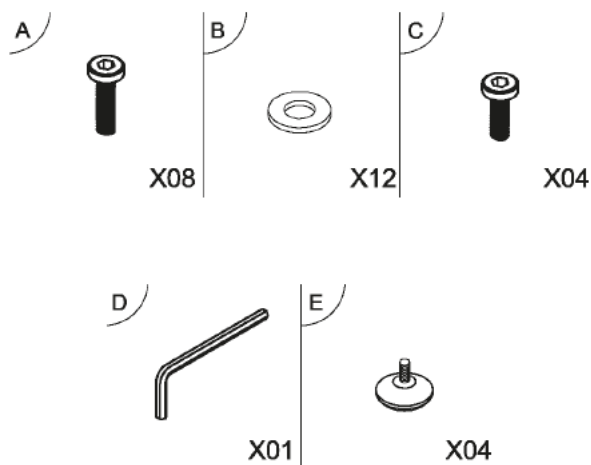


TWO
PERSON



MAXIMUM
CAPACITY 100Kg

PLEASE CHECK CAREFULLY AND MAKE SURE YOU HAVE ALL FITTINGS AND TOOLS LISTED BELOW BEFORE YOU START.

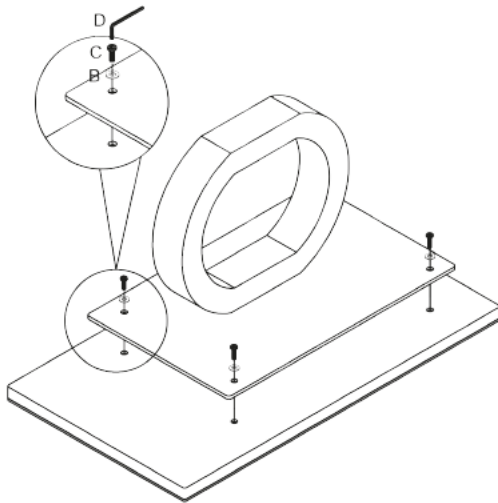
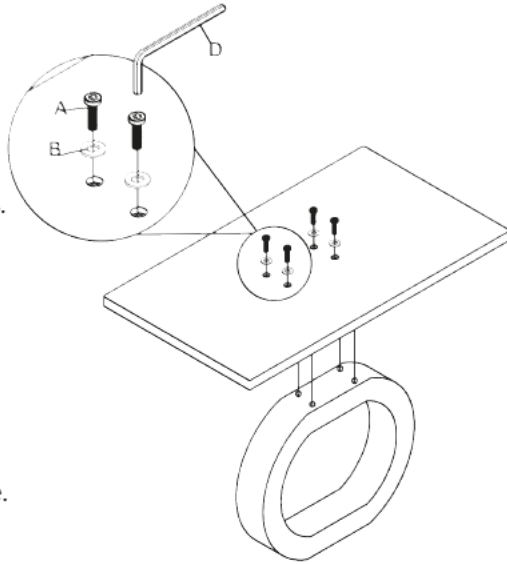


NOTE: The quantities above are the correct amount to complete the assembly. In some cases more fittings may be supplied than are required.

STEP 1

Use a clear, flat, soft surface to avoid bumps or scratches. Attach 'halo' to connecting board using 4x screw [A] and 4x washer [B]. Tighten with allen key [D].

ATTENTION: To ensure table stability, please make sure you have fully tightened the halo to the connecting plate.



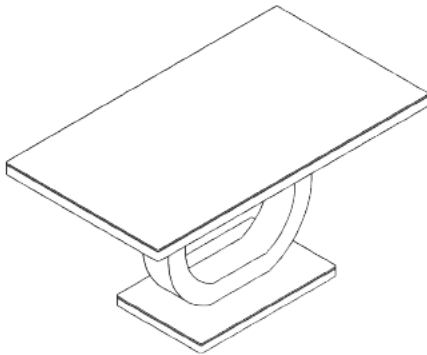
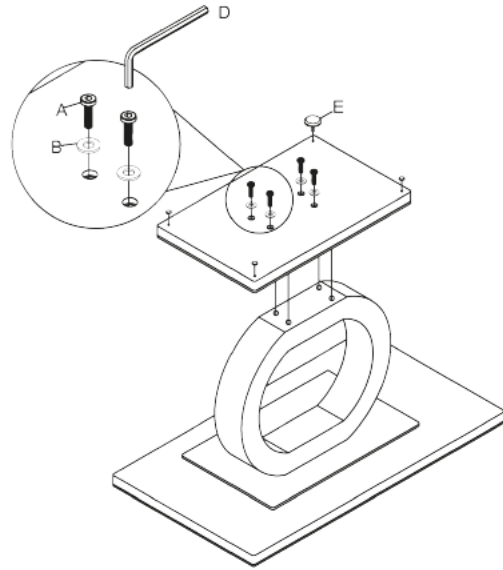
STEP 2

ATTENTION: Carefully turn over connecting board and halo. Align connecting board with table top. Attach connecting board to table top using 4x screw [C] and 4x washer [B]. Tighten using allen key [D].

FULL ASSEMBLY INSTRUCTIONS

STEP 3

Attach table base to halo using 4x screw [A] and 4x washer [B]. Tighten with allen key [D], then add 4x anti-slip feet [E] to corners of table base.

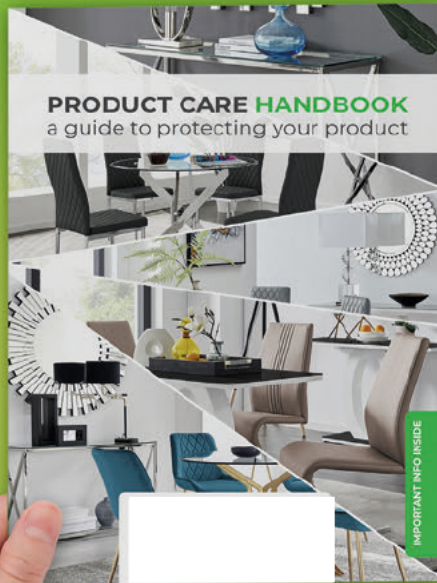


STEP 4

ATTENTION: With the help of another person, carefully turn the table over to complete assembly. Your table is now ready to use.

LOOKING GOOD!

Now you've assembled your product find out how to care for your item and keep it looking brand new.





OUR 1 YEAR GUARANTEE

our products come with a 1 year guarantee to give you peace of mind shopping at Furniturebox



WHAT THE GUARANTEE COVERS



PRE-INSERTED FIXINGS
e.g. lose metal threads



FAULTY JOINTS
e.g. legs bending



EXTERNAL FIXING FAULTS
e.g. metal discs removing from table top



STRUCTURAL INTEGRITY
e.g. the frame of the product