

Mounting Plate Instructions

Model MPW200

INSTALLER

To assure you install this model easily and correctly, PLEASE READ THESE SIMPLE INSTRUCTIONS BEFORE STARTING THE INSTALLATION. CHECK YOUR INSTALLATION FOR COMPLIANCE WITH PLUMBING, ELECTRICAL AND OTHER APPLICABLE CODES. After installation, keep these instructions for future reference.

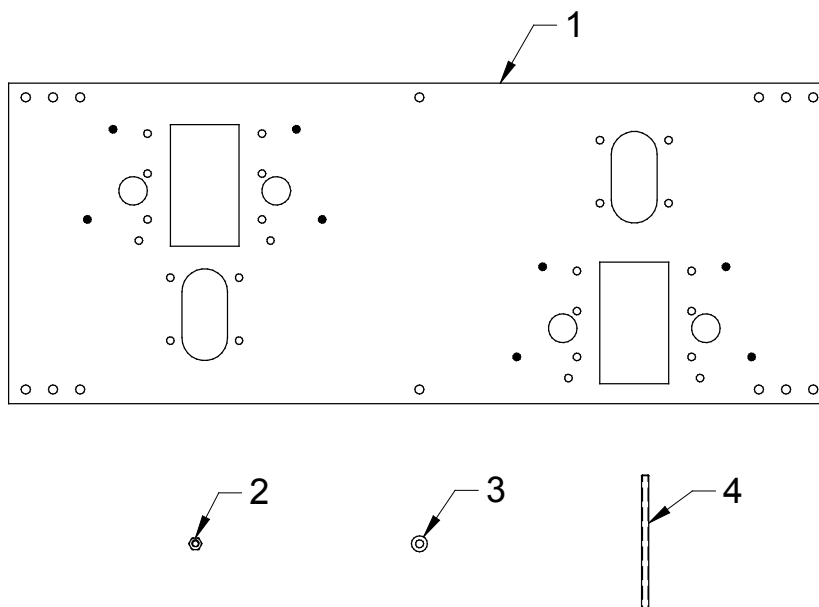
IMPORTANT

ALL SERVICE TO BE PERFORMED BY AN AUTHORIZED SERVICE PERSON

Parts List

Refer to the illustration to make sure you receive all mounting plate parts. If any parts are missing contact your local distributor or call 1.800.260.6640.

ITEM NO.	QTY.	PART NO.	DESCRIPTION
1	1	28793C	Mounting Plate
2	32	70020C	Hex Nut 5/16-18
3	32	75541C	Flat Washer .339/.359ID
4	8	75708C	Threaded Rod 5/16-18 x 6 In.



MPW200

This Mounting Plate System is designed for use with the following models:
HRF Series, Barrier Free SoftSides®, OVL II™, and SWIRLFLO® Series.

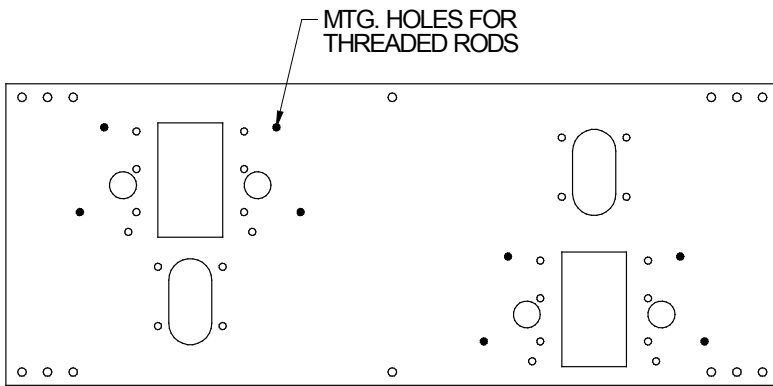


Fig. 1
Standard Configuration

HRF Series, Barrier Free SoftSides®

Note: Standard configuration (High/Low) shown in (Fig. 1). For reverse configuration below, mounting plate can be flipped to mount units in the (Low/High) configuration.

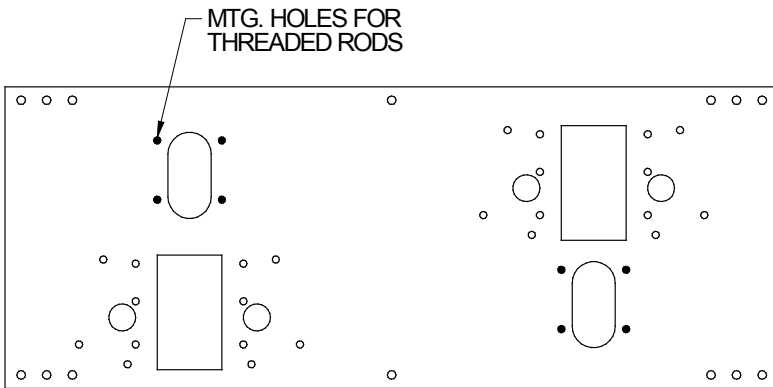
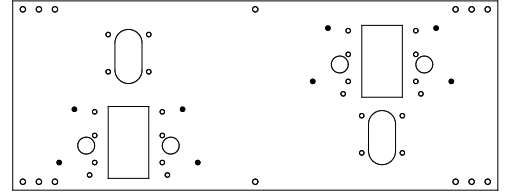


Fig. 2
Standard Configuration

OVL II™ Series

Note: Standard configuration (High/Low) shown in (Fig. 2). For reverse configuration below, mounting plate can be flipped to mount units in the (Low/High) configuration.

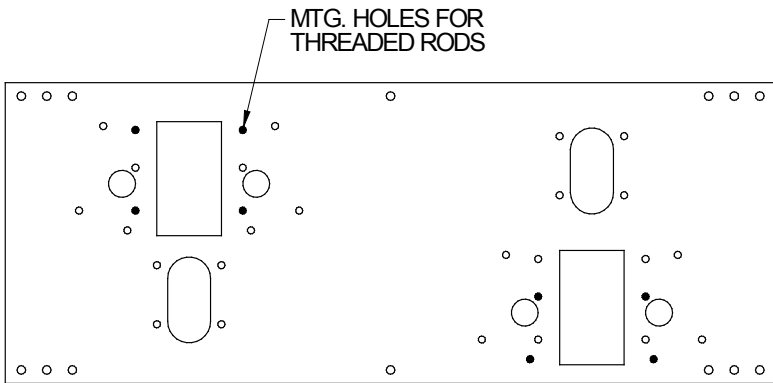
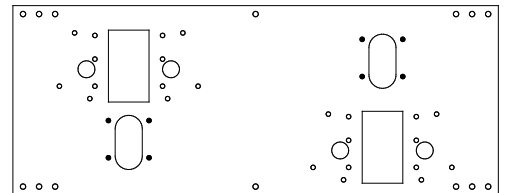
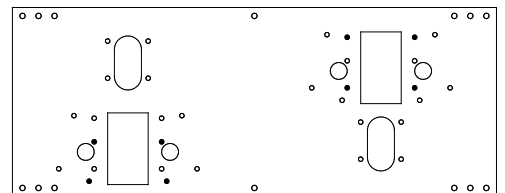


Fig. 3
Standard Configuration

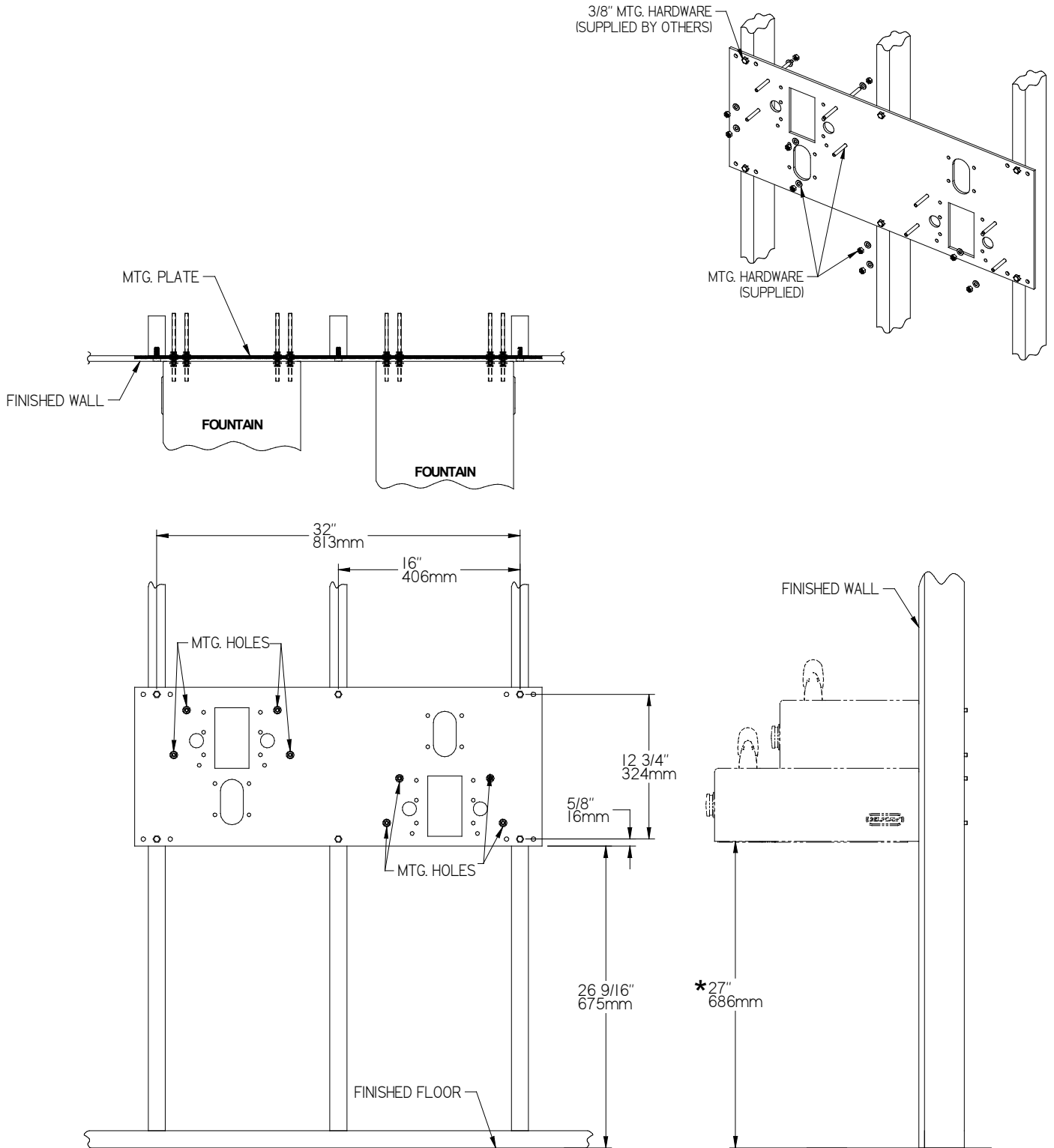
SwirlFlo® Series

Note: Standard configuration (High/Low) shown in (Fig 3). For reverse configuration below, mounting plate can be flipped to mount units in the (Low/High) configuration.



HRF Series/Barrier Free SoftSides®

When mounting plate directly to wall studs please refer to the diagrams shown below. For electrical, waste, and water supply locations please refer to the Installation/Owners manual.

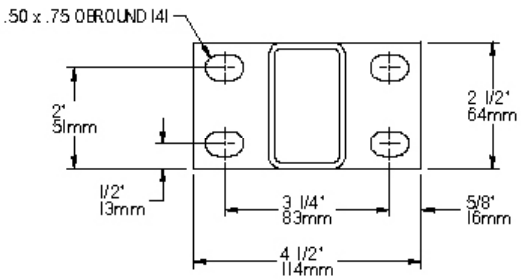


* ADA REQUIREMENT

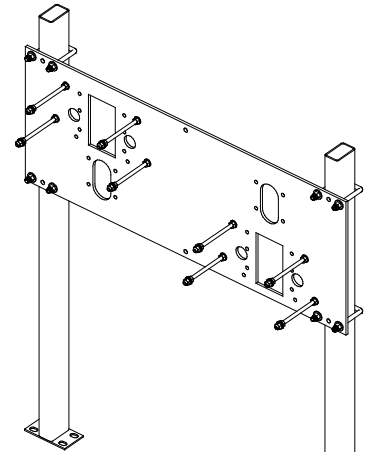
NOTE - AFTER INSTALLATION, THREADED RODS MAY NEED TO BE TRIMMED.

HRF Series/Barrier Free SoftSides®

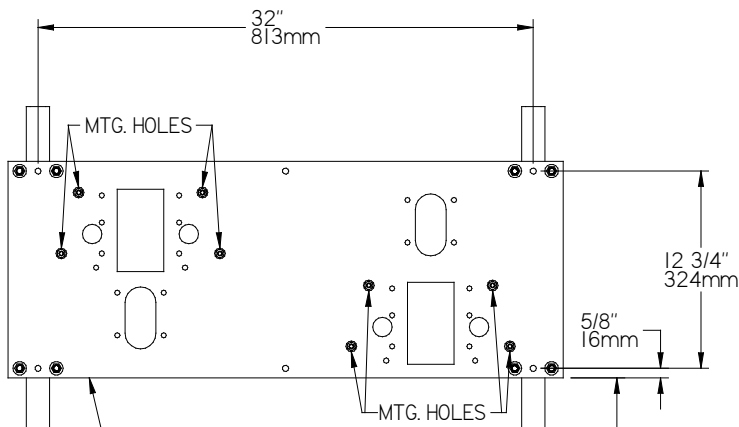
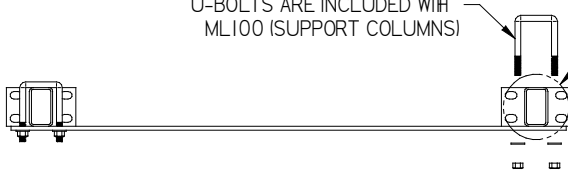
When using mounting plate with ML100 (Support Columns) please refer to the diagrams shown below. For electrical, waste, and water supply locations please refer to the Installation/Owners manual.



DETAIL A

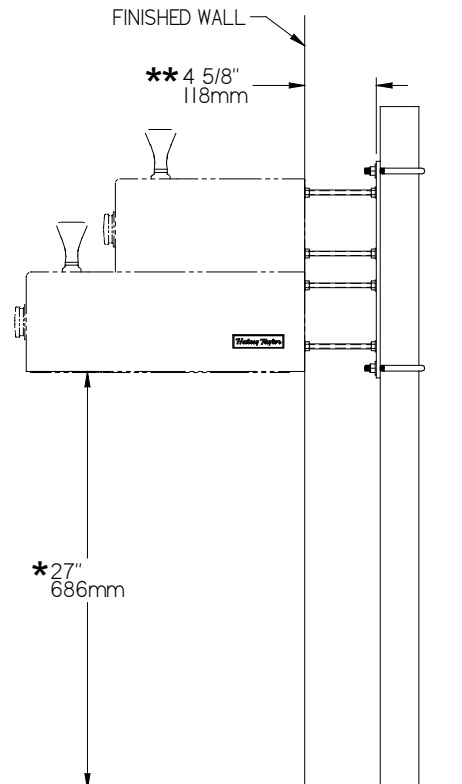


U-BOLTS ARE INCLUDED WITH ML100 (SUPPORT COLUMNS) SEE DETAIL A



MTG. PLATE INSTALLED BEHIND FINISHED WALL

FINISHED FLOOR



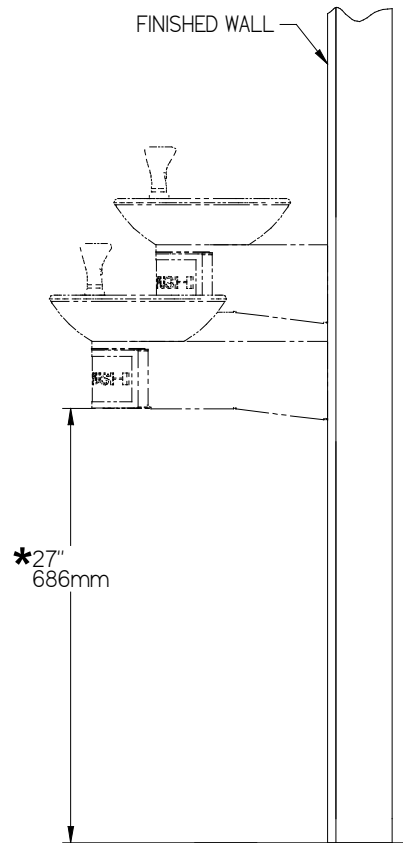
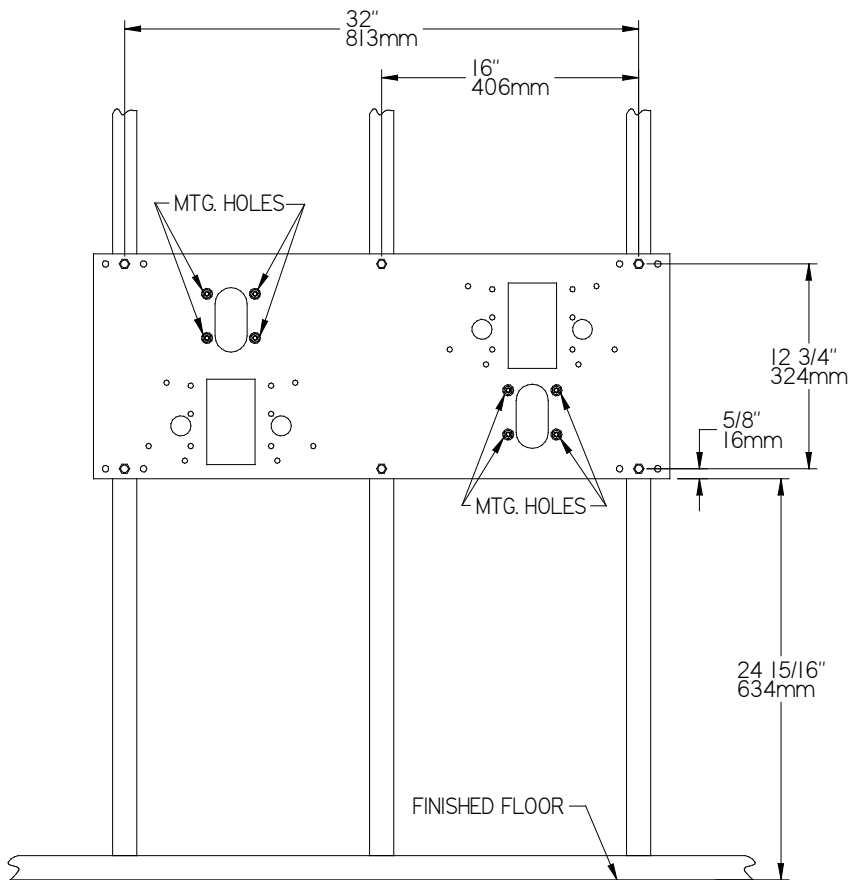
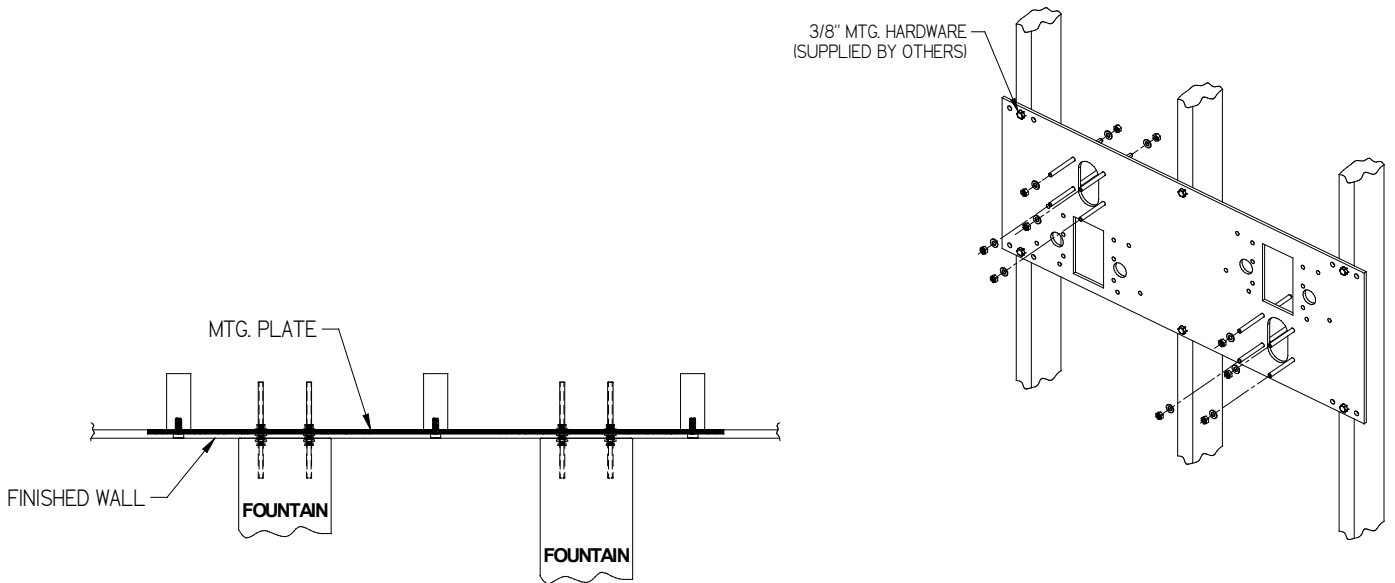
* ADA REQUIREMENT

** WITH STANDARD STUD LENGTH OF 6 INCHES.

NOTE - AFTER INSTALLATION, U-BOLTS AND THREADED RODS MAY NEED TO BE TRIMMED.

OVL II™ Series

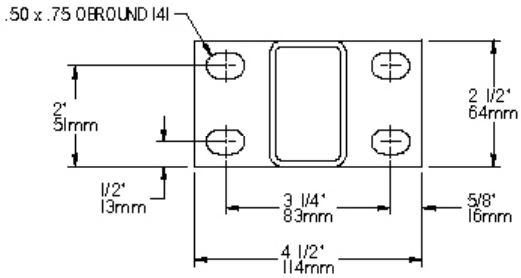
When mounting plate directly to wall studs please refer to the diagrams shown below. For electrical, waste, and water supply locations please refer to the Installation/Owners manual.



* ADA REQUIREMENT
 NOTE - AFTER INSTALLATION, THREADED RODS MAY NEED TO BE TRIMMED.

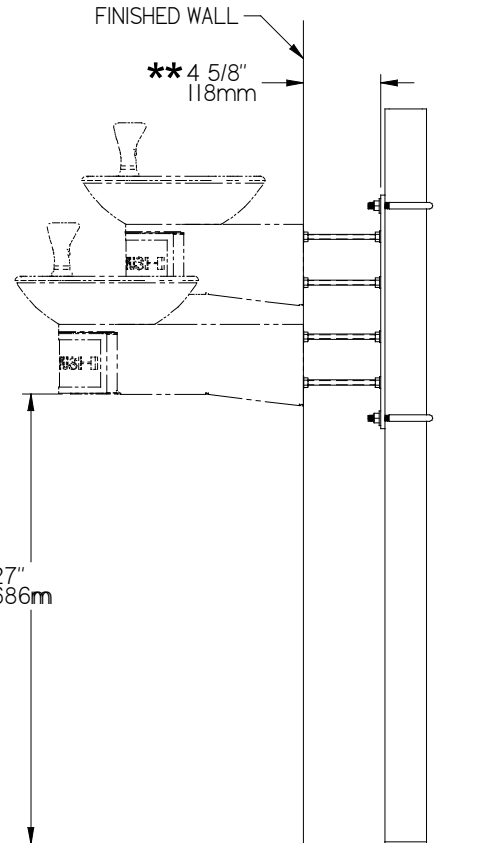
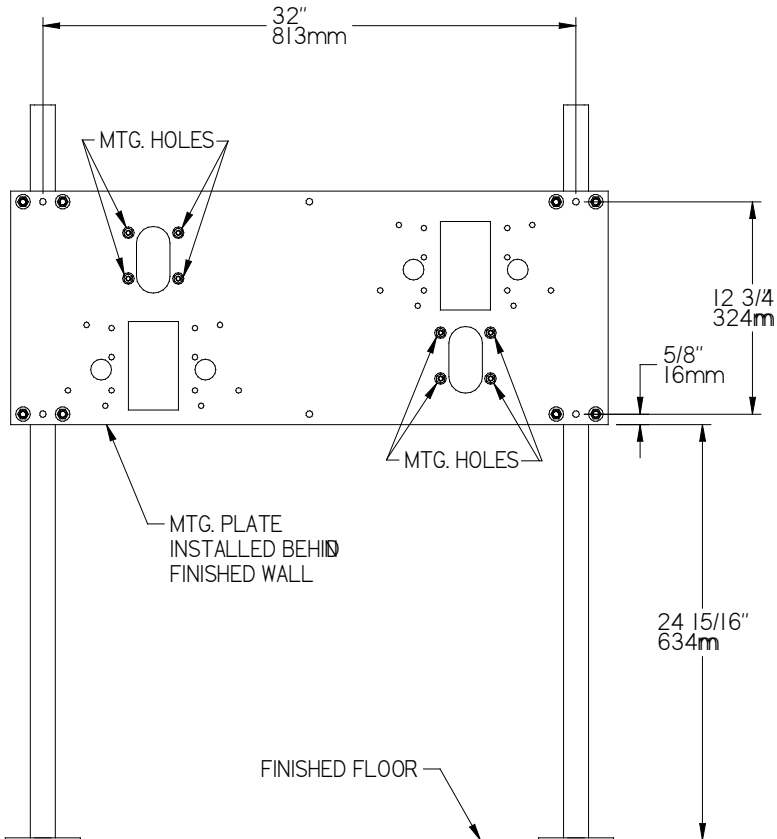
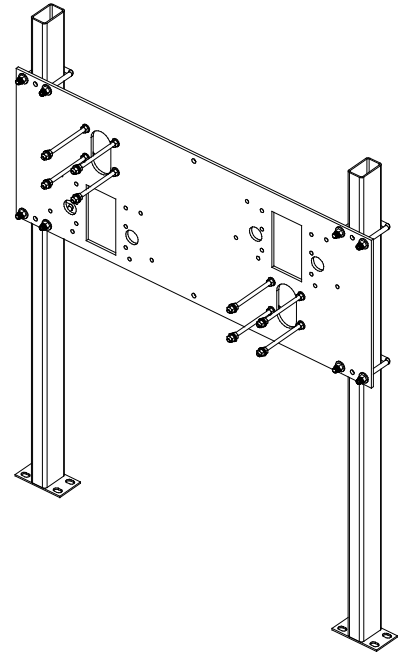
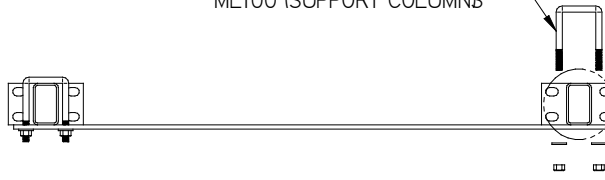
OVL II™ Series

When using mounting plate with ML100 (Support Columns) please refer to the diagrams shown below. For electrical, waste, and water supply locations please refer to the Installation/Owners manual.



DETAIL A

U-BOLTS ARE INCLUDED WITH ML100 (SUPPORT COLUMNS) SEE DETAIL A



* ADA REQUIREMENT

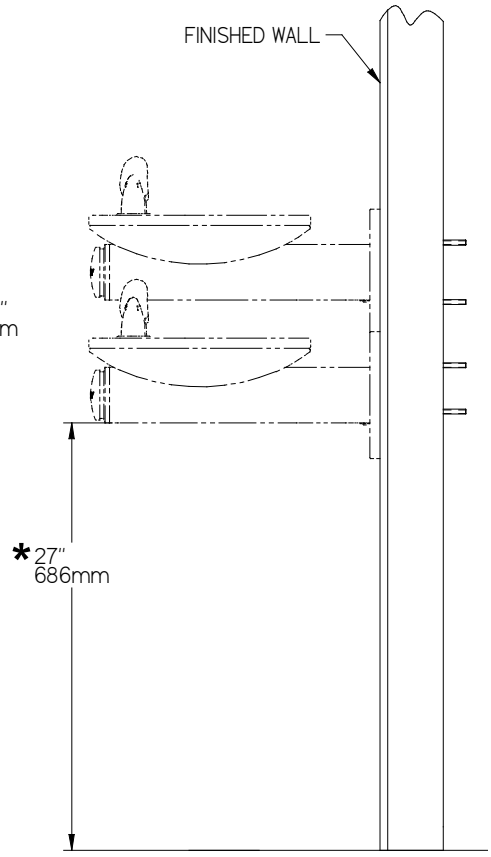
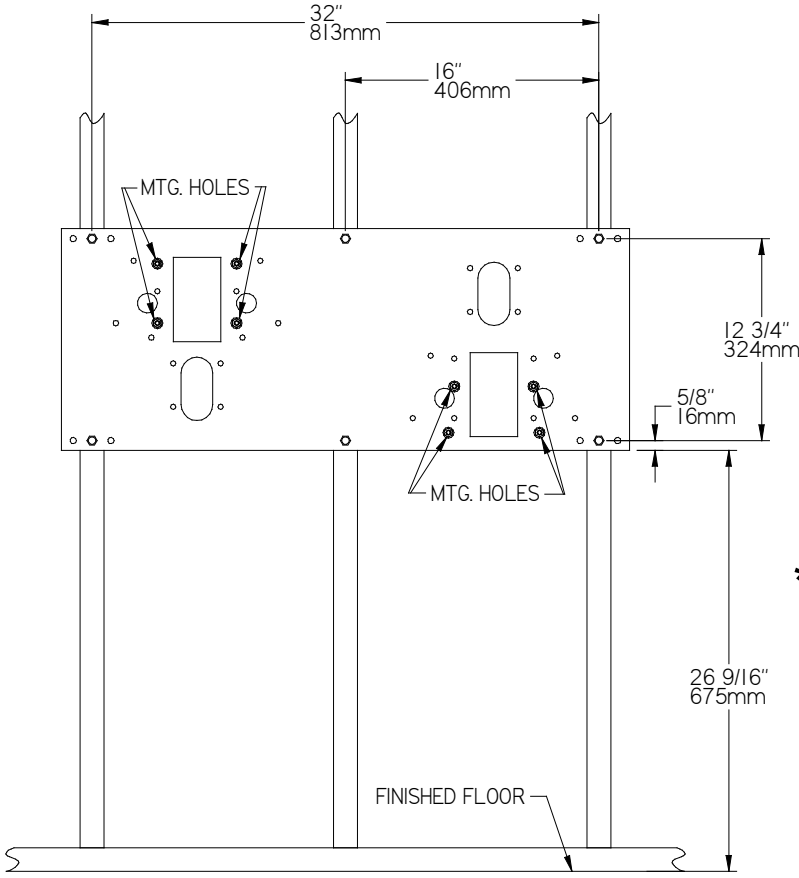
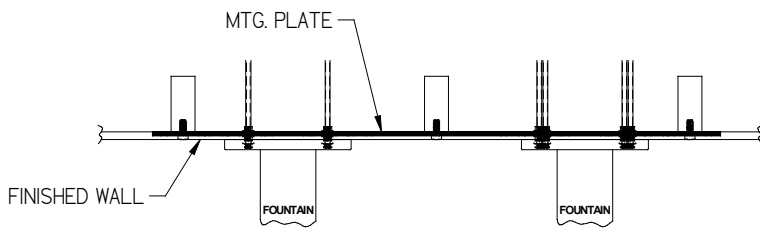
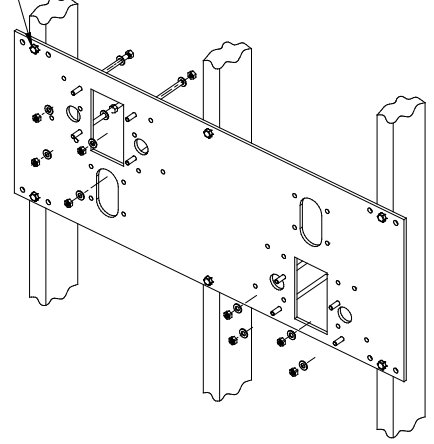
** WITH STANDARD STUD LENGTH OF 6 INCHES.

NOTE - AFTER INSTALLATION, U-BOLTS AND THREADED RODS MAY NEED TO BE TRIMMED.

Swirflo® Series

When mounting plate directly to wall studs please refer to the diagrams shown below. For electrical, waste, and water supply locations, please refer to the Installation/Owners manual.

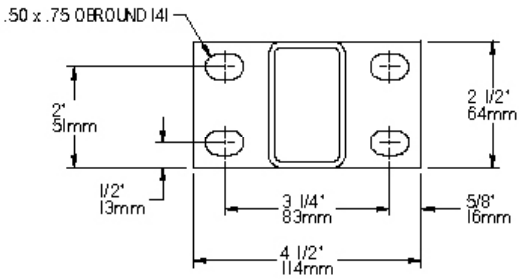
3/8" MTG. HARDWARE
(SUPPLIED BY OTHERS)



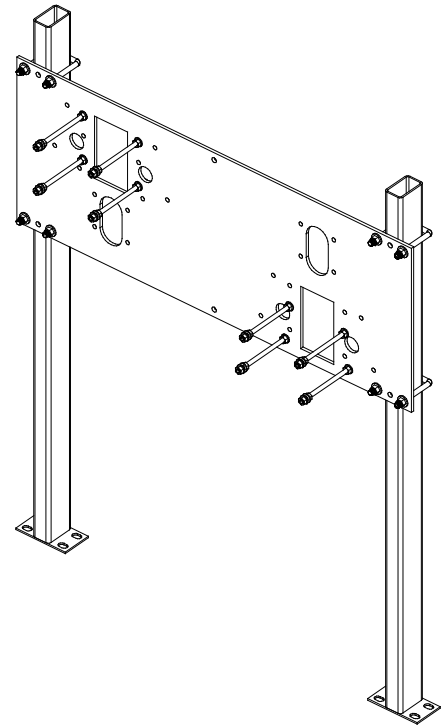
* ADA REQUIREMENT
NOTE - AFTER INSTALLATION, THREADED RODS MAY NEED TO BE TRIMMED.

SwirFlo® Series

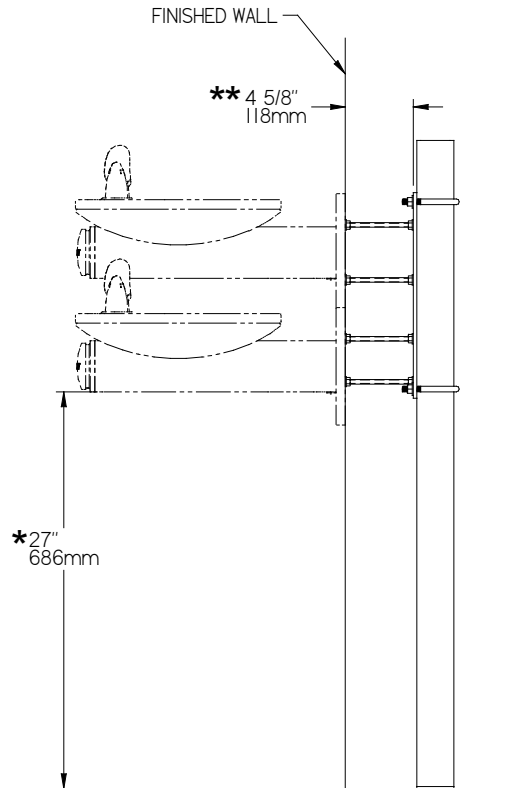
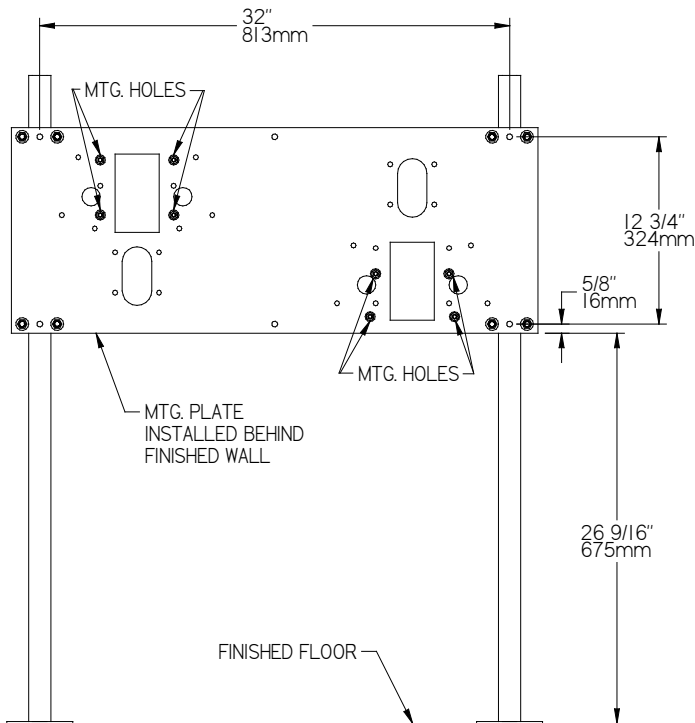
When using mounting plate with ML100 (Support Columns) please refer to the diagrams shown below. For electrical, waste, and water supply locations please refer to the Installation/Owners manual.



DETAIL A



U-BOLTS ARE INCLUDED WITH ML100 (SUPPORT COLUMNS)



* ADA REQUIREMENT

** WITH STANDARD STUD LENGTH OF 6 INCHES.

NOTE - AFTER INSTALLATION, U-BOLTS AND THREADED RODS MAY NEED TO BE TRIMMED.

REPAIR SERVICE INFORMATION CALL TOLL FREE NUMBER 1.800.260.6640