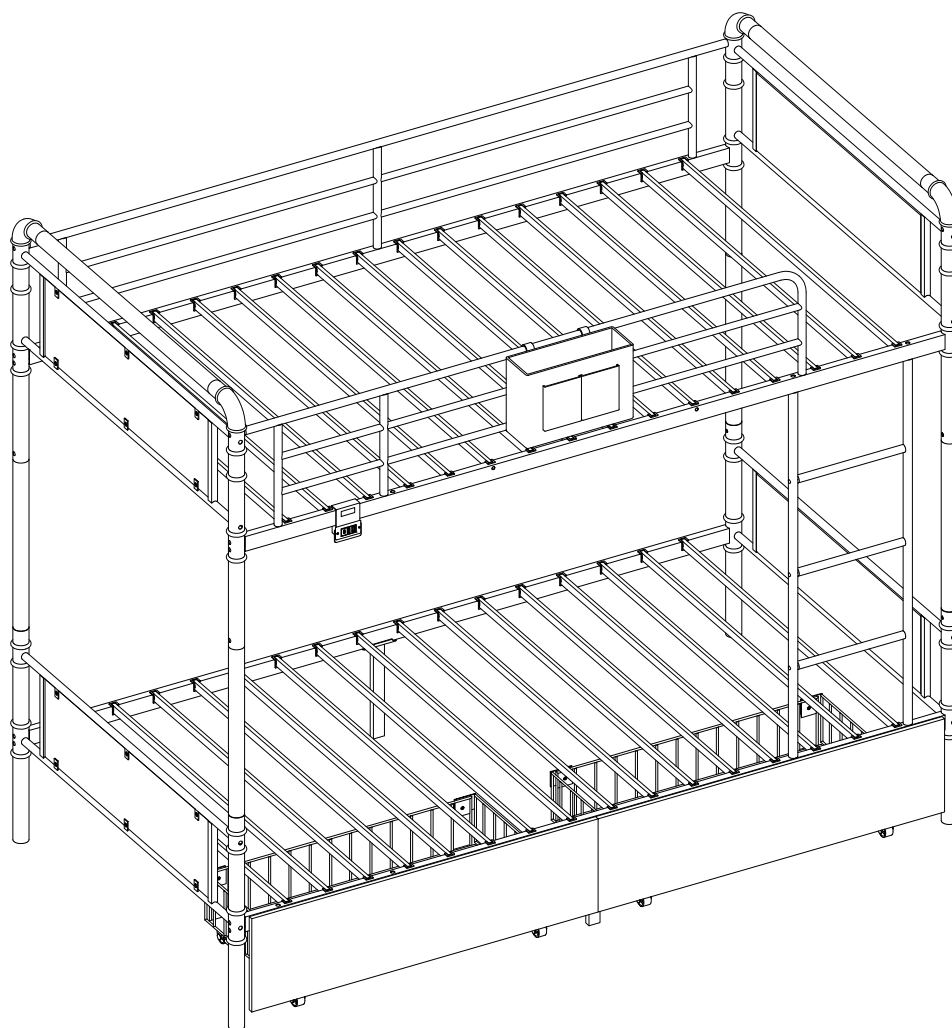


Installation Instructions



Two people
at least
to install.



Send email with your question, pic and order NO. to us.

Respond within 24 hours.



Attention: This instruction contains important safety information. Before starting the assembly, please read it carefully and follow the whole instruction.



WARNING

Keep these instructions for future reference

To help prevent serious or fatal injuries from entrapment or falls:

Follow the information on the warnings appearing on the upper bunk end structure and on the carton. Do not remove warning label from bed.

Use only mattress which is 74" - 75" long and 37 1/2" - 38 1/2" wide on upper bunk and lower bunk.

Always use the recommended size mattresses or mattress supports, or both, to help prevent the likelihood of entrapment or falls.

Surface of mattress must be at least 5 in. (127 mm) below the upper edge of guardrails.

Ensure thickness of mattress does not exceed 6" and mattress is at least 5" below upper edge of guardrails.

Do not allow children under 6 years of age to use the upper bunk.

Periodically check and ensure that the guardrail, ladder, and other components are in their proper position, free from damage, and that all connectors are tight.

Do not allow horseplay on or under the bed and prohibit jumping on the bed.

Always use the ladder for entering and leaving the upper bunk.

Keep these instructions for future reference.

Do not use substitute parts. Contact the manufacturer or dealer for replacement parts.

Use of a night light may provide added safety precaution for a child using the upper bunk.

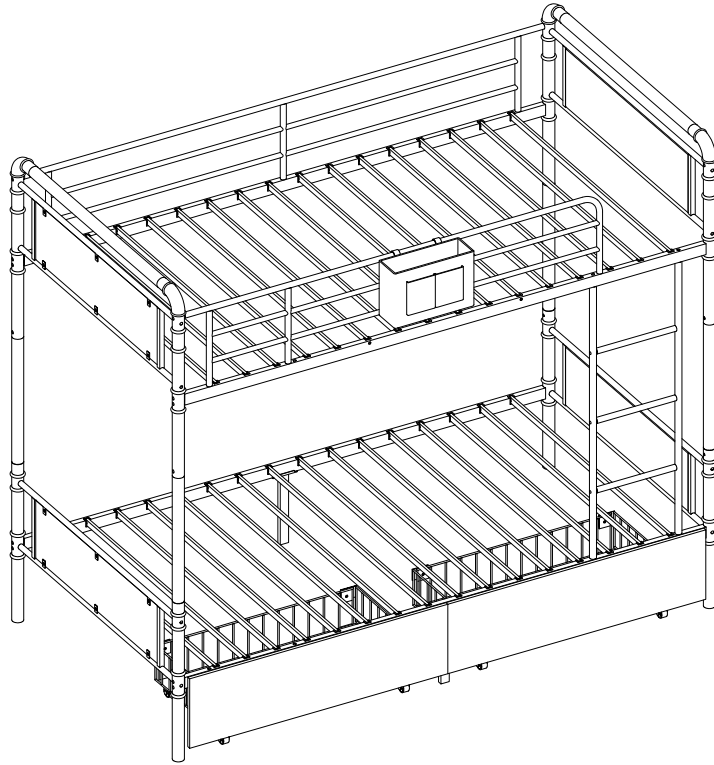
Always use guardrails on both long sides of the upper bunk. If the bunk bed will be placed next to the wall, the guardrail that runs the full length of the bed should be placed against the wall to prevent entrapment between the bed and wall.

The use of water or sleep flotation mattresses is prohibited.

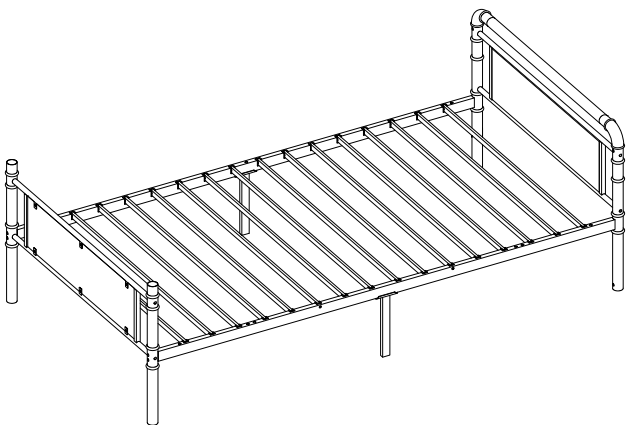
Replacement Parts- Replacement parts, including additional guardrails, may be obtained from any of dealers.

STRANGULATION HAZARD - Never attach or hang items to any part of the bunk bed that are not designed for use with the bed; for example, but not limited to, hooks, belts and jump ropes.

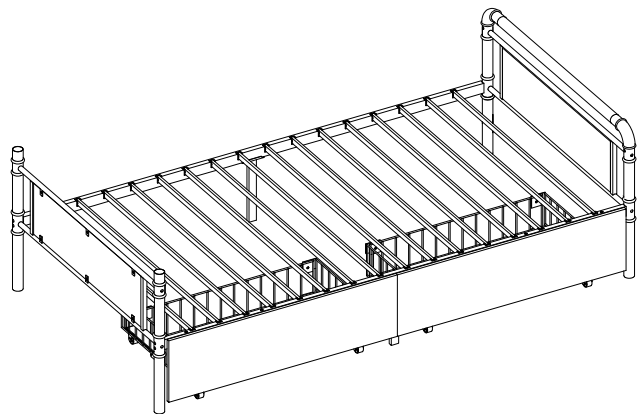
Mode1



Mode 2-A



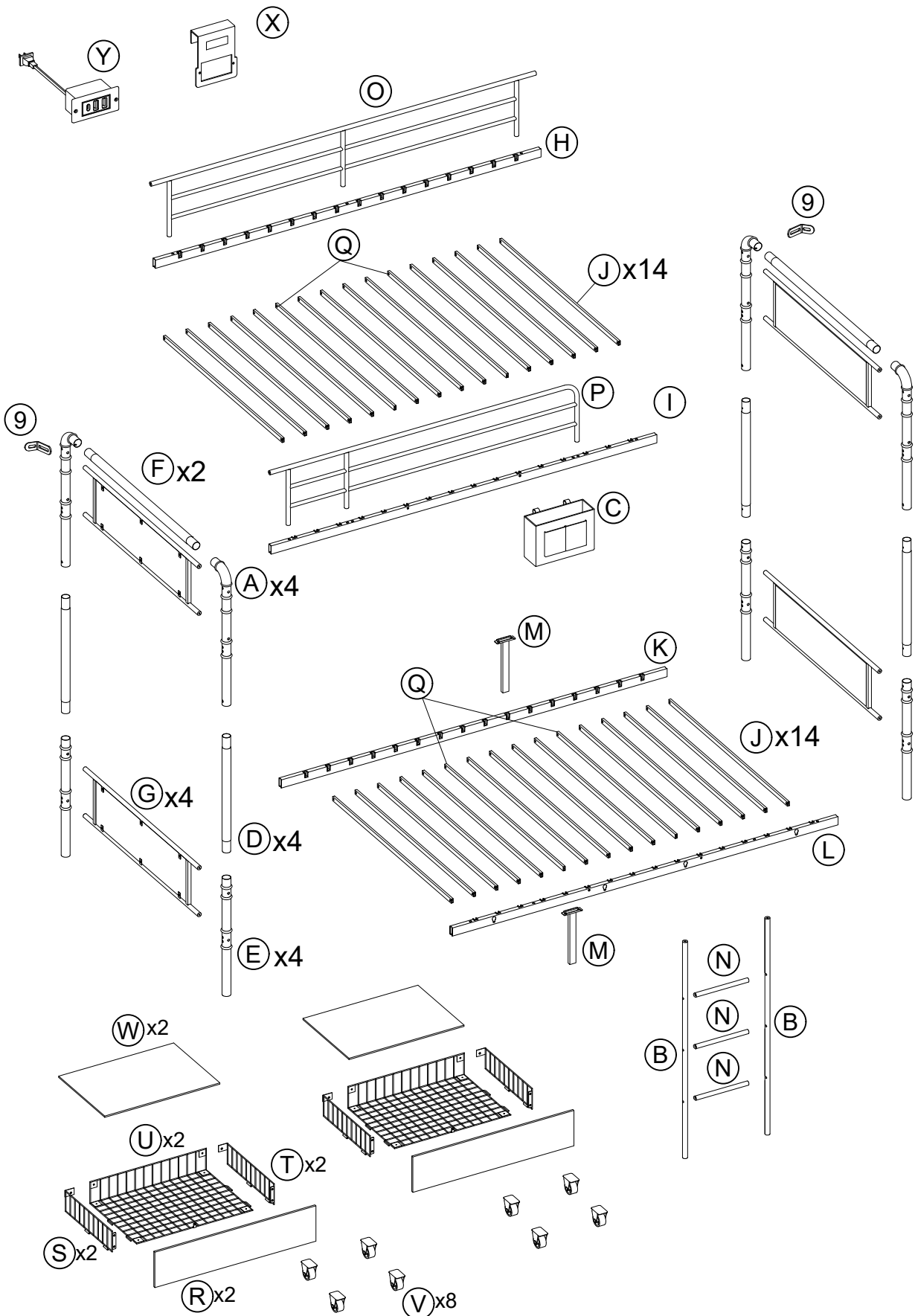
Mode 2-B



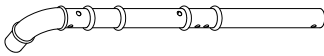
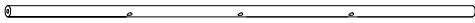
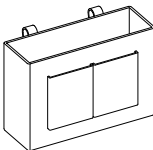
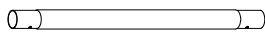
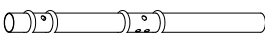
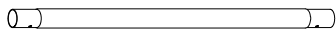
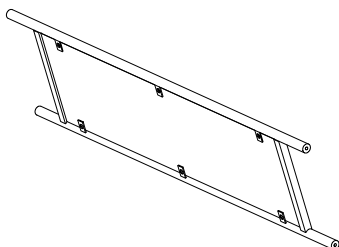
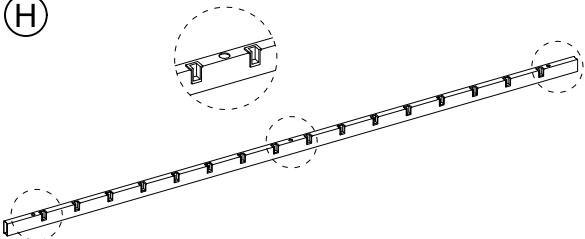
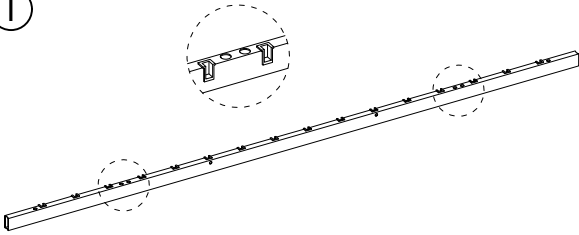
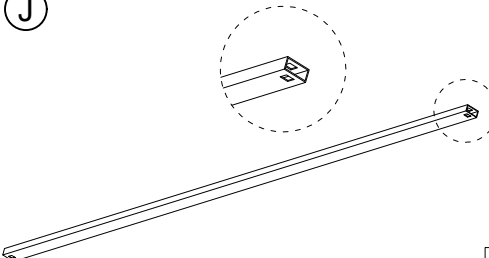
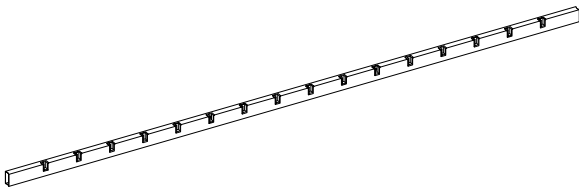
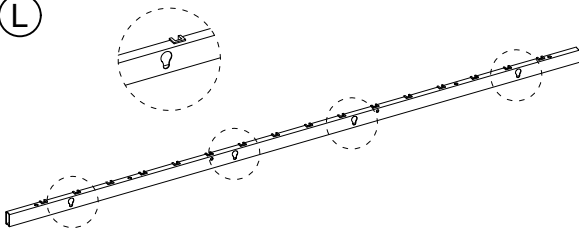
1. Bunk bed-Mode1: Go with step: 1~28. Two Single bed-Mode 2: Go with step: 1, 2, 4, 5, step: 20~23, 29~35.
2. Before your installation, please make sure that you have all the parts listed on the manual.
If you find something missing, please do not hesitate in contacting us.
3. Please note do not fully tight screws until all the bed parts are assembled.

What's included

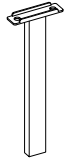
Overview




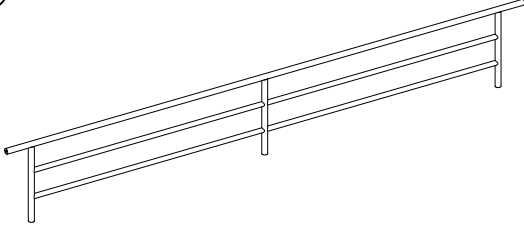
Part List

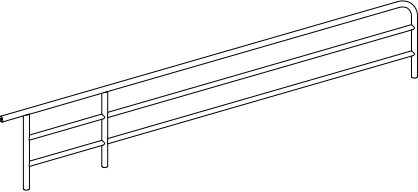
| | |
|--|--|
| <p>(A)</p>  <p>4pcs</p> | <p>(B)</p>  <p>2pcs</p> |
| <p>(C)</p>  <p>1pc</p> | <p>(D)</p>  <p>4pcs</p> |
| <p>(E)</p>  <p>4pcs</p> | <p>(F)</p>  <p>2pcs</p> |
| <p>(G)</p>  <p>4pcs</p> | <p>(H)</p>  <p>1pc</p> |
| <p>(I)</p>  <p>1pc</p> | <p>(J)</p>  <p>28pcs</p> |
| <p>(K)</p>  <p>1pc</p> | <p>(L)</p>  <p>1pc</p> |

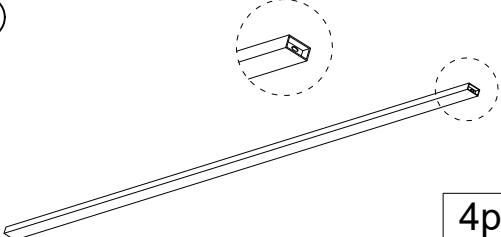
Part List

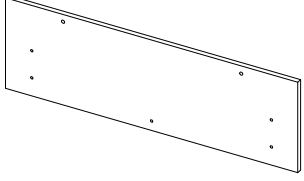
(M) 
4pcs

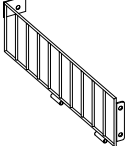
(N) 
3pcs

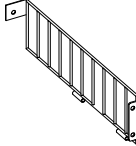
(O) 
1pc

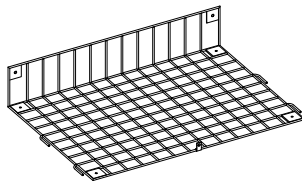
(P) 
1pc


(Q) 
4pcs

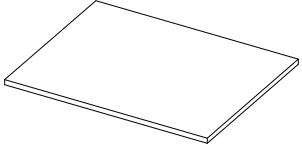
(R) 
2pcs


(S) 
2pcs

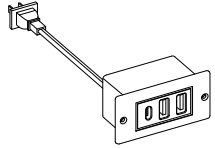
(T) 
2pcs


(U) 
2pcs

(V) 
8pcs

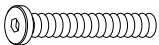

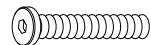
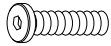
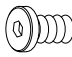

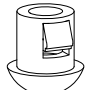
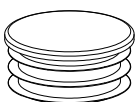
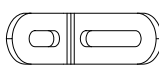


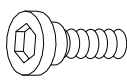
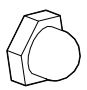
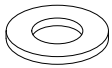
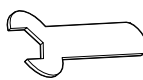
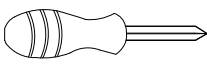

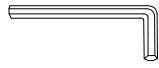

(W) 
2pcs

(X) 
1pc

(Y) 
1pc

(Z) 
1pc

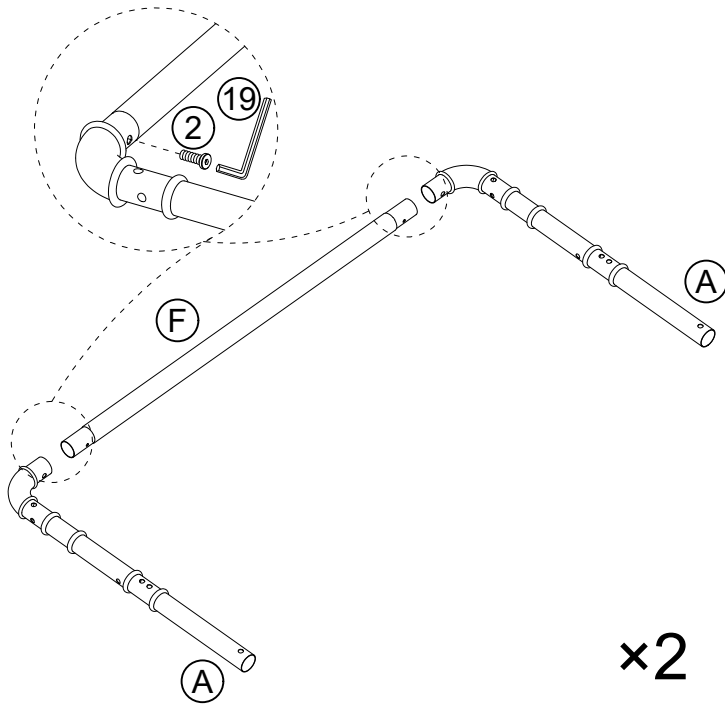
Hardware List



| | | |
|--|--|---|
| <p>①</p>  <p>M8×60mm</p> <p>20pcs</p> | <p>②</p>  <p>M8×20mm</p> <p>16pcs</p> | <p>③</p>  <p>M6×55mm</p> <p>25pcs</p> |
| <p>④</p>  <p>M6×32mm</p> <p>14pcs</p> | <p>⑤</p>  <p>M6×10mm</p> <p>14pcs</p> | <p>⑥</p>  <p>M3×10mm</p> <p>2pcs</p> |
| <p>⑦</p>  <p>12pcs</p> | <p>⑧</p>  <p>8pcs</p> | <p>⑨</p>  <p>2pcs</p> |
| <p>⑩</p>  <p>2pcs</p> | <p>⑬</p>  <p>3pcs</p> | <p>⑭</p>  <p>M6×15mm</p> <p>4pcs</p> |
| <p>⑮</p>  <p>M6</p> <p>4pcs</p> | <p>⑯</p>  <p>4pcs</p> | <p>⑰</p>  <p>1pc</p> |
| <p>⑱</p>  <p>1pc</p> | <p>⑲</p>  <p>M5</p> <p>1pc</p> | <p>⑳</p>  <p>M4</p> <p>1pc</p> |
| <p>㉑</p>  <p>8pcs</p> | | |

Installation Steps

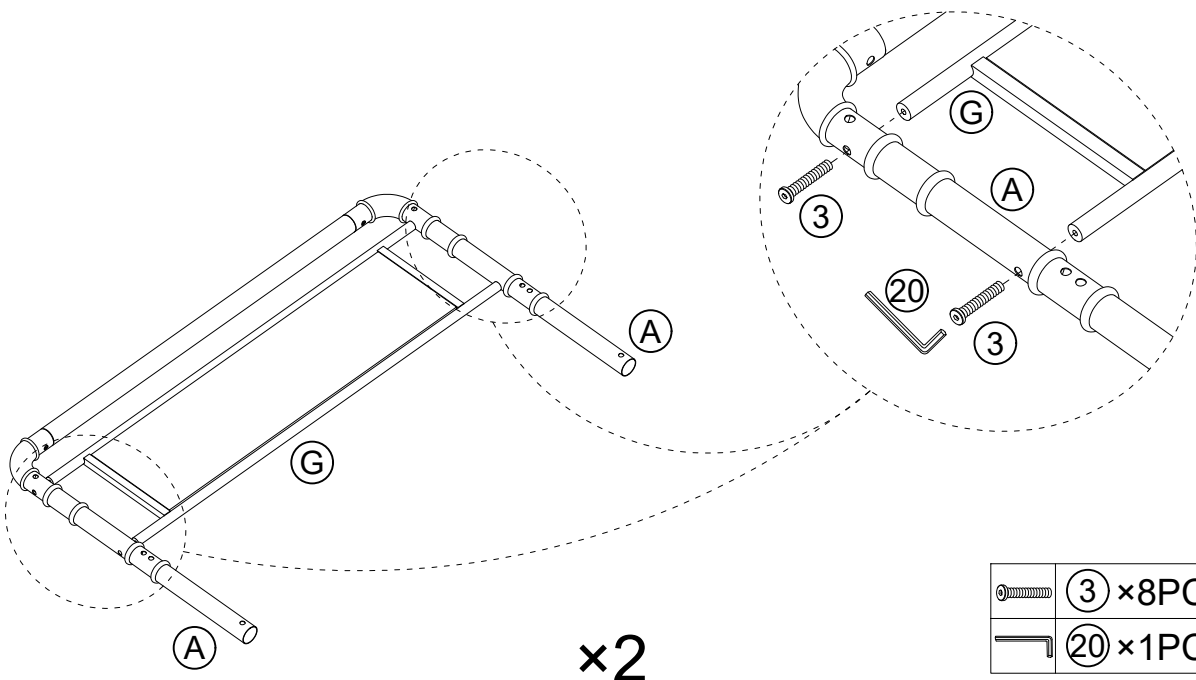
Step 1



1. Bunk bed-Mode 1: Go with step: 1~28. Two Single bed-Mode 2: Go with step: 1, 2, 4, 5, step: 20~23, 29~35.
2. Before your installation, please make sure that you have all the parts listed on the manual. If you find something missing, please do not hesitate in contacting us.
3. Please note do not fully tight screws until all the bed parts are assembled.



| | |
|---|----------|
|  | ② × 4PCS |
|  | ⑱ × 1PC |

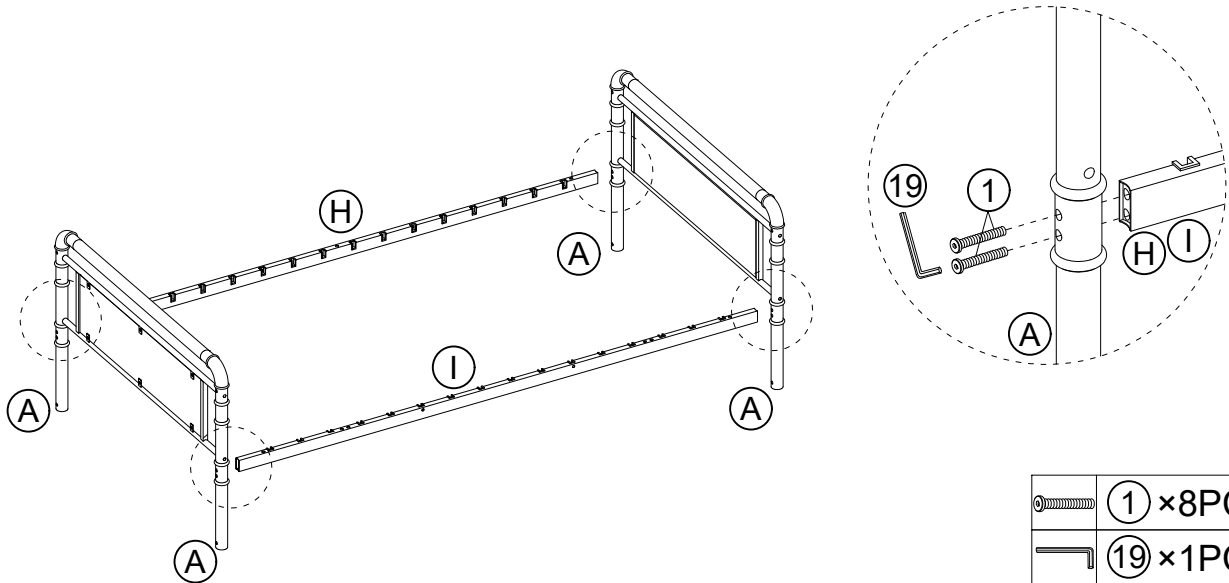
Step 2



| | |
|---|----------|
|  | ③ × 8PCS |
|  | ⑳ × 1PC |

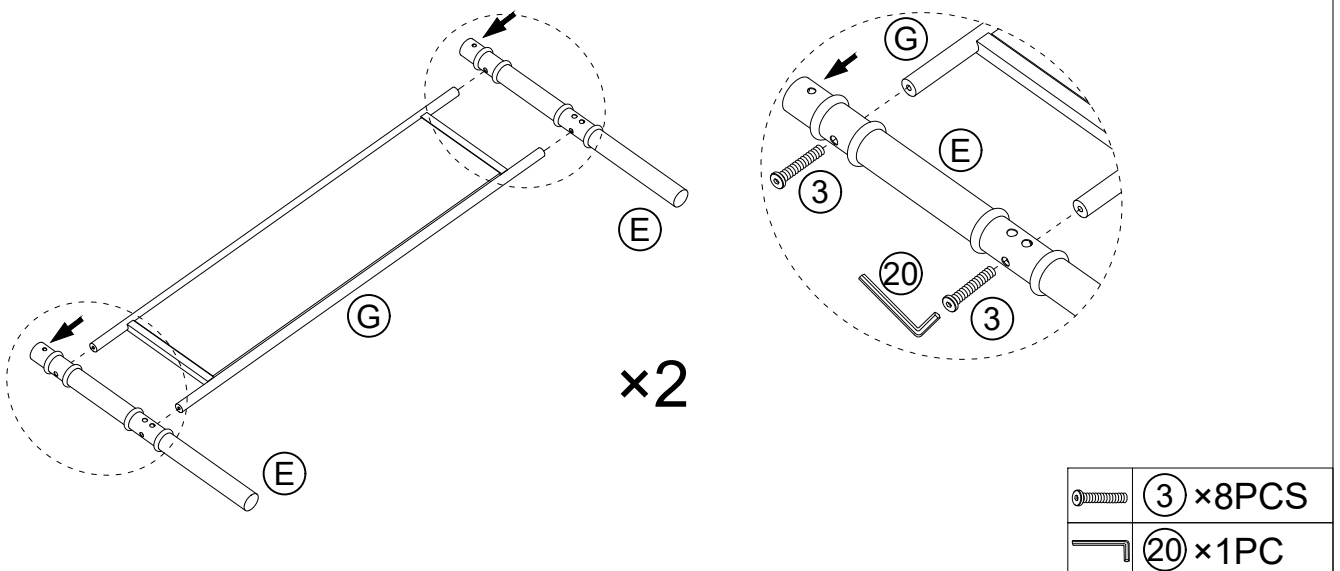
Step 3

Upper Bunk



Step 4

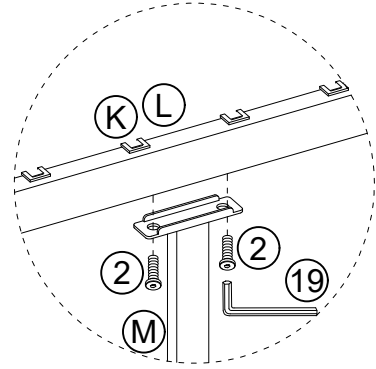
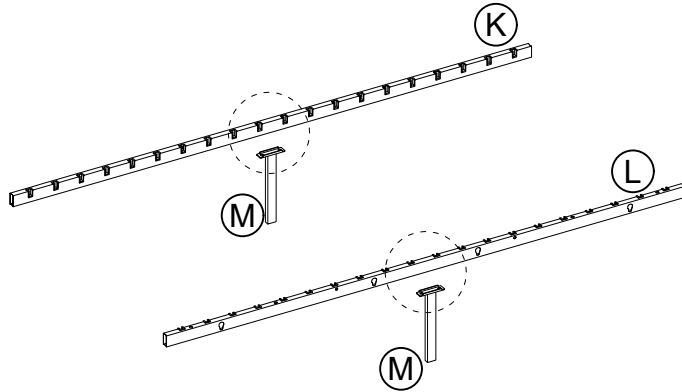
Lower Bunk



Tip: please pay attention to the direction of the part "G" board, the side with the screws should face out as the picture shown.

Step 5

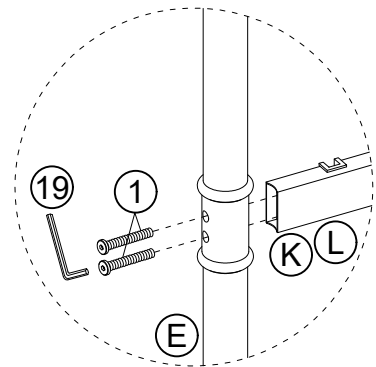
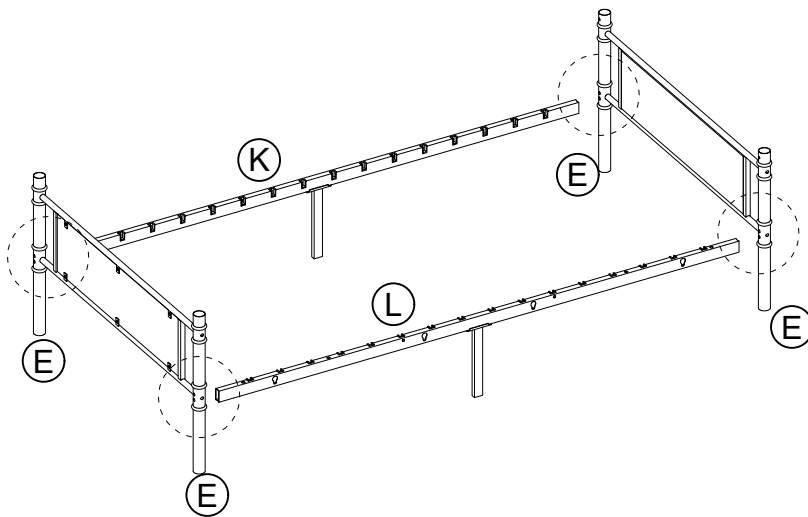
Lower Bunk



| | |
|--|----------|
| | 2 × 4PCS |
| | 19 × 1PC |

Step 6

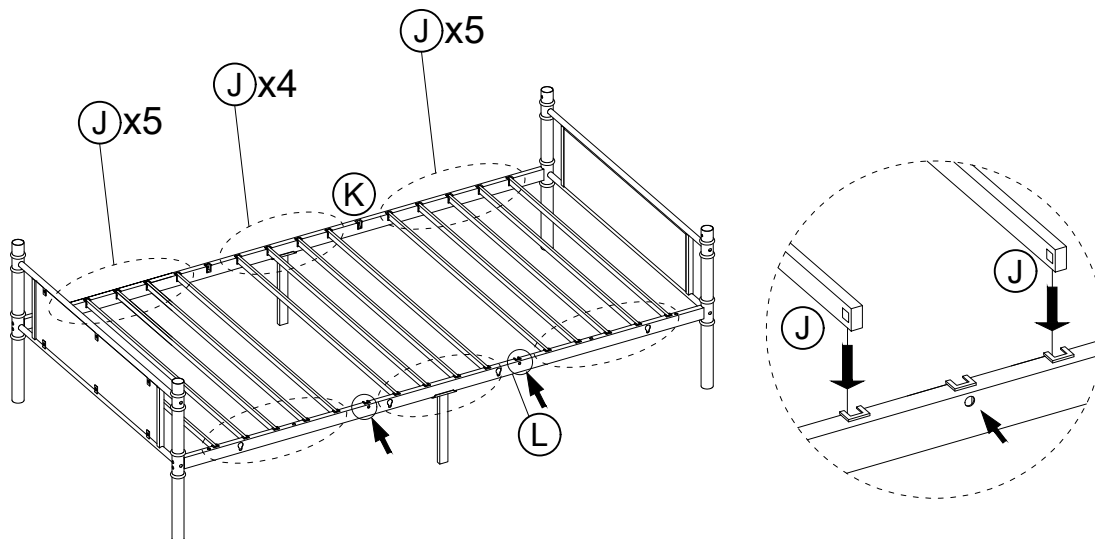
Lower Bunk



| | |
|--|----------|
| | 1 × 8PCS |
| | 19 × 1PC |

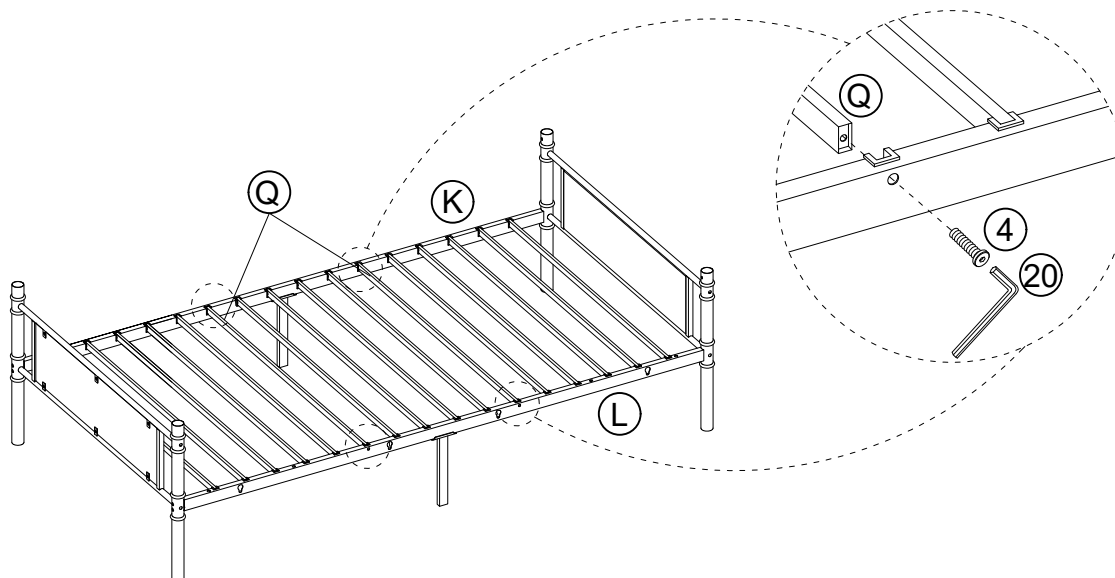
Step 7

Lower Bunk





Step 8

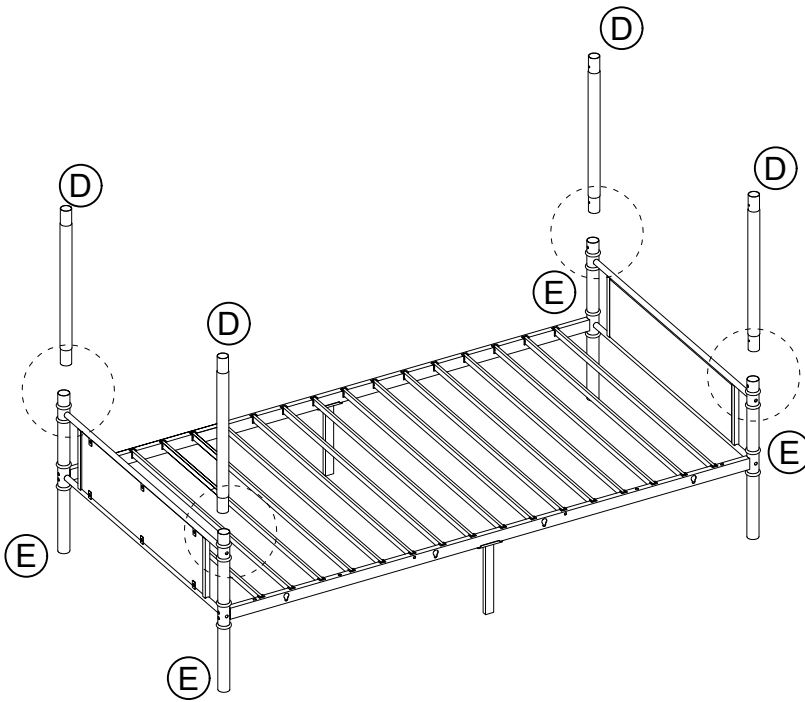
Lower Bunk





⚠ **Tip:** The two bed slats "Q" should remember to lock screws.

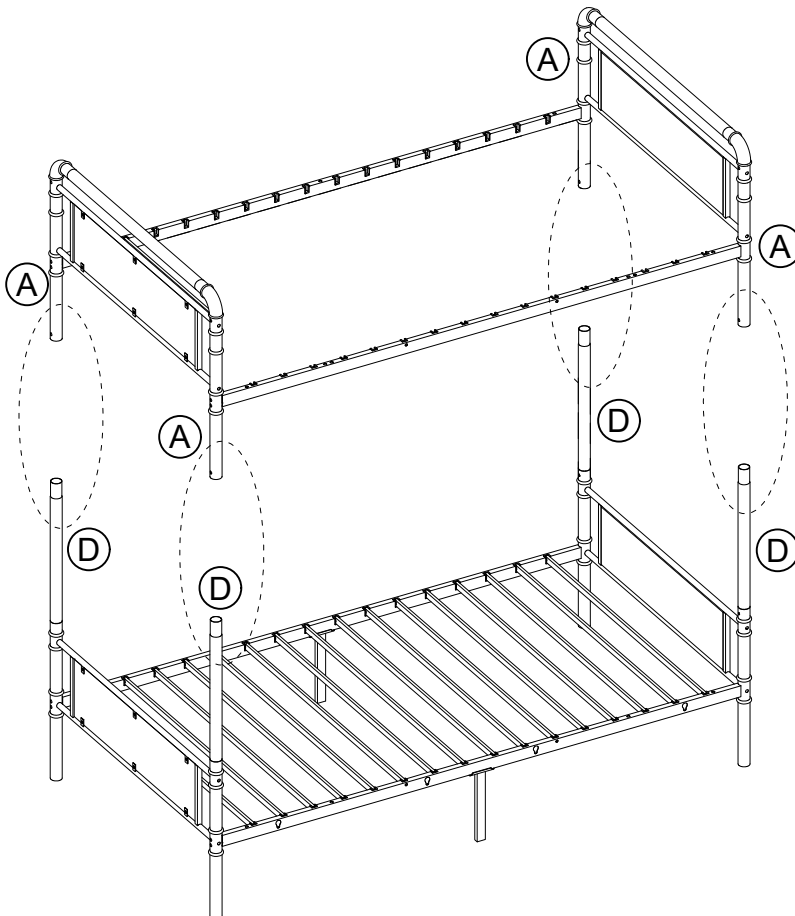
| | |
|---|----------|
|  | ④ × 4PCS |
|  | ②① × 1PC |



Step 9



| | |
|---|----------|
|  | ② × 4PCS |
|  | ⑱ × 1PC |

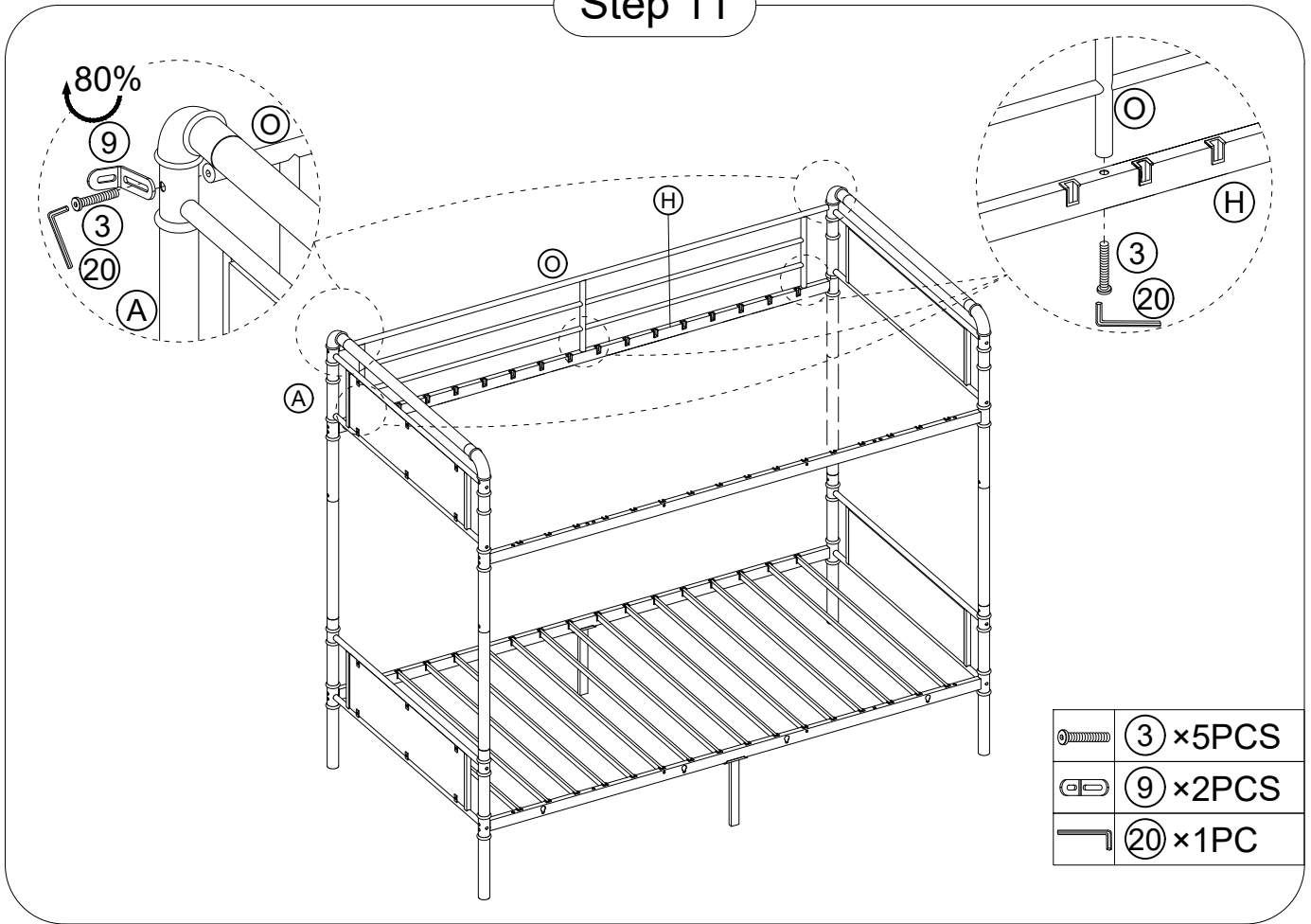
Step 10



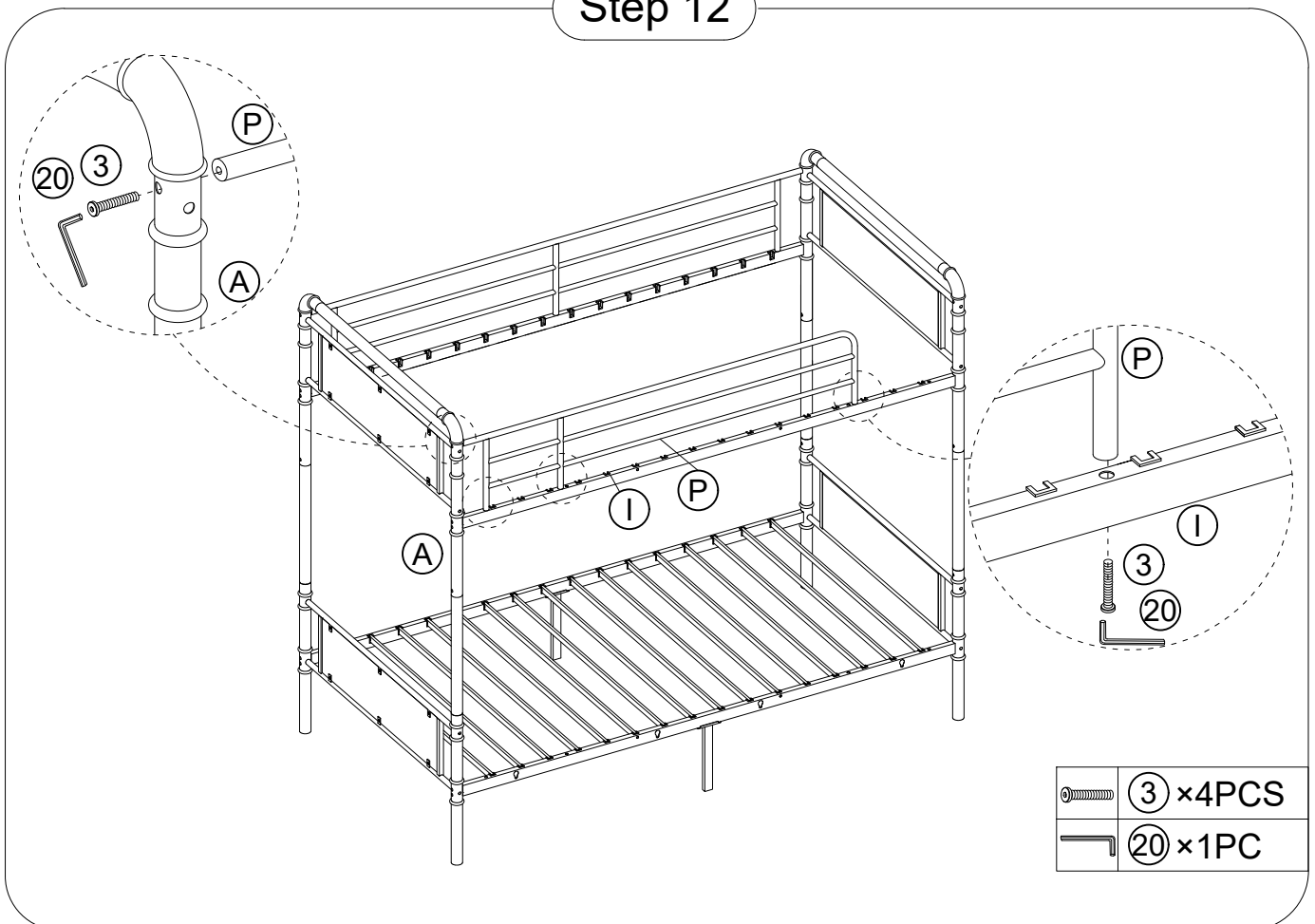
| | |
|---|----------|
|  | ② × 4PCS |
|  | ⑱ × 1PC |

Installation Steps

Step 11

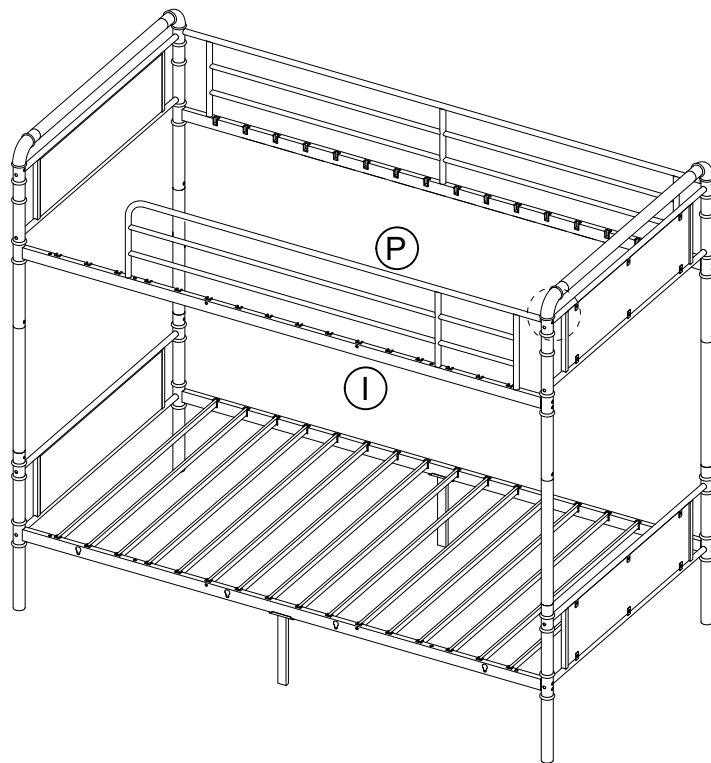


Step 12

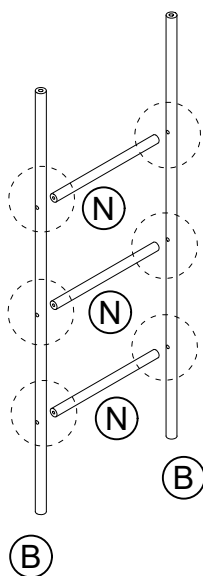
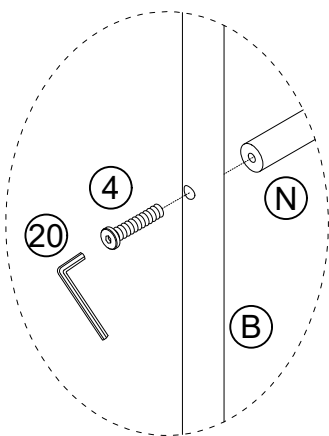




Step 13

Tip: please note the short guardrail "P" can be assembled on the Right or Left side, in depending on you want to go up the stairs from which side.

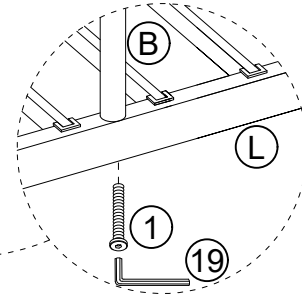
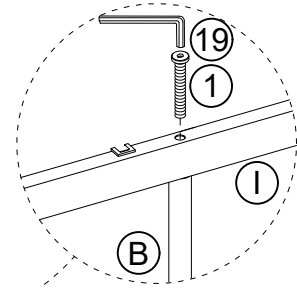
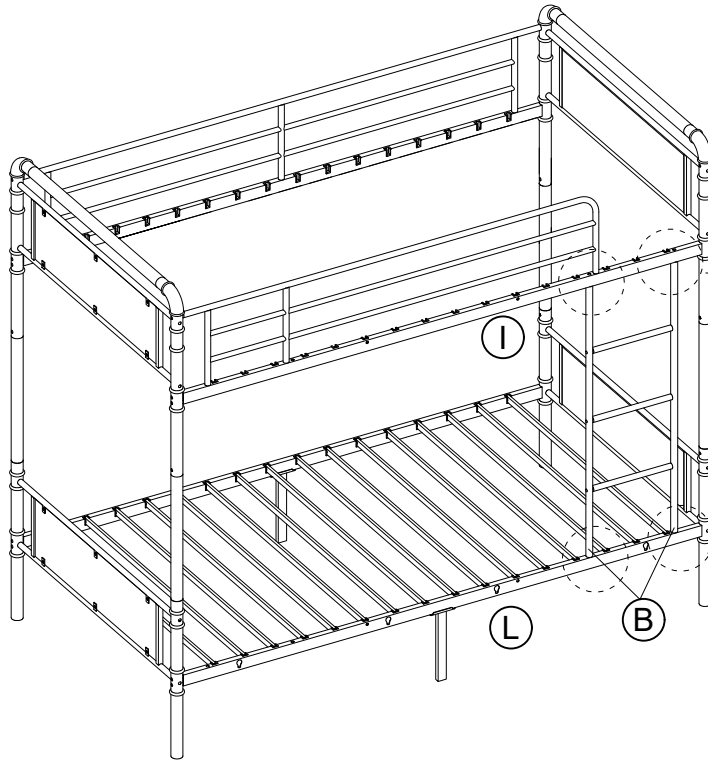


Step 14



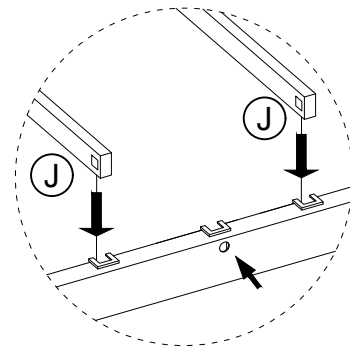
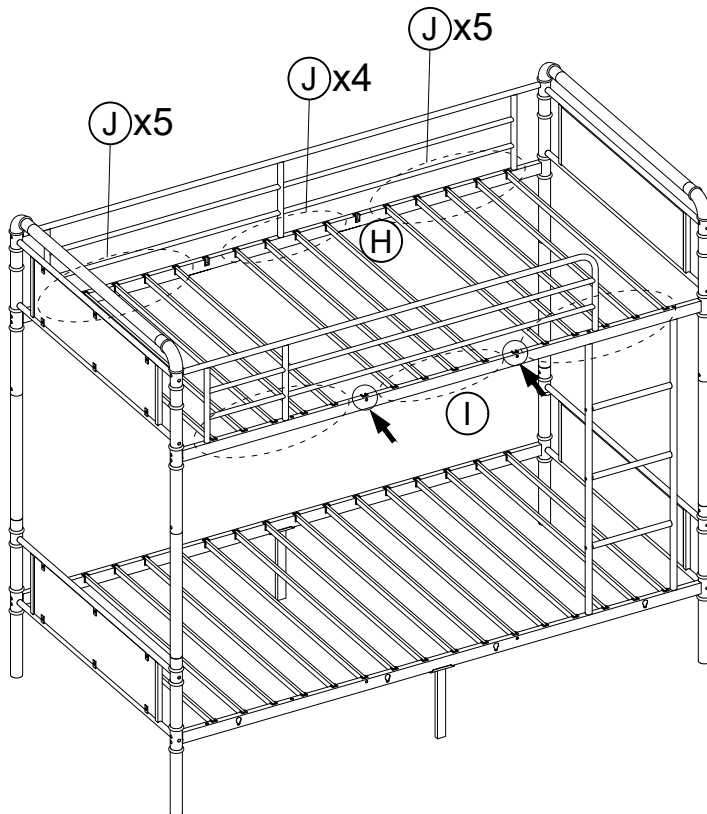
| | |
|---|----------|
|  | 4 × 6PCS |
|  | 20 × 1PC |

Step 15



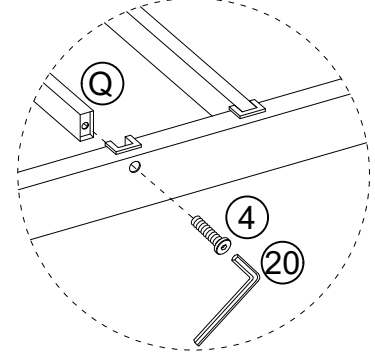
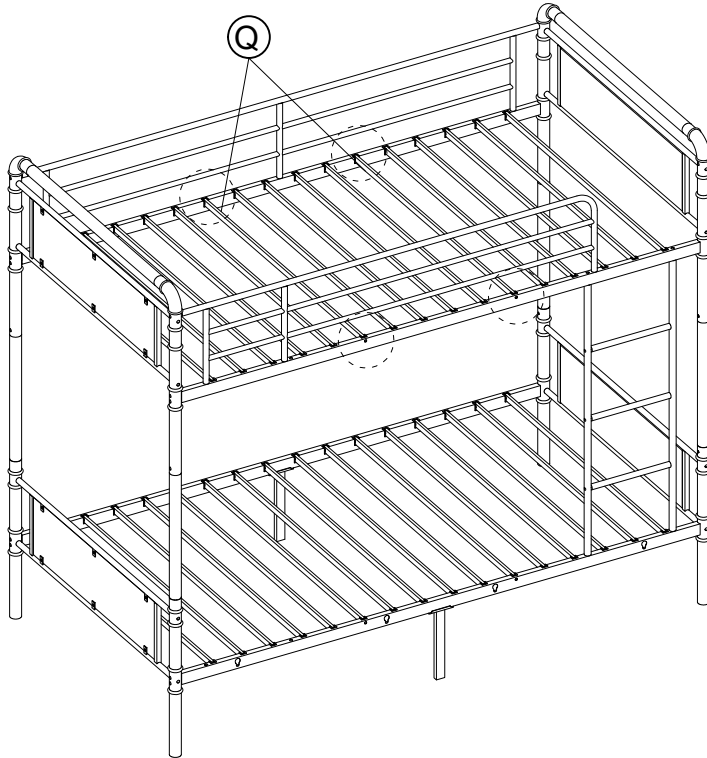
| | |
|--|----------|
| | ① × 4PCS |
| | ⑱ × 1PC |

Step 16





① × 5
 ② × 4
 ③ × 5

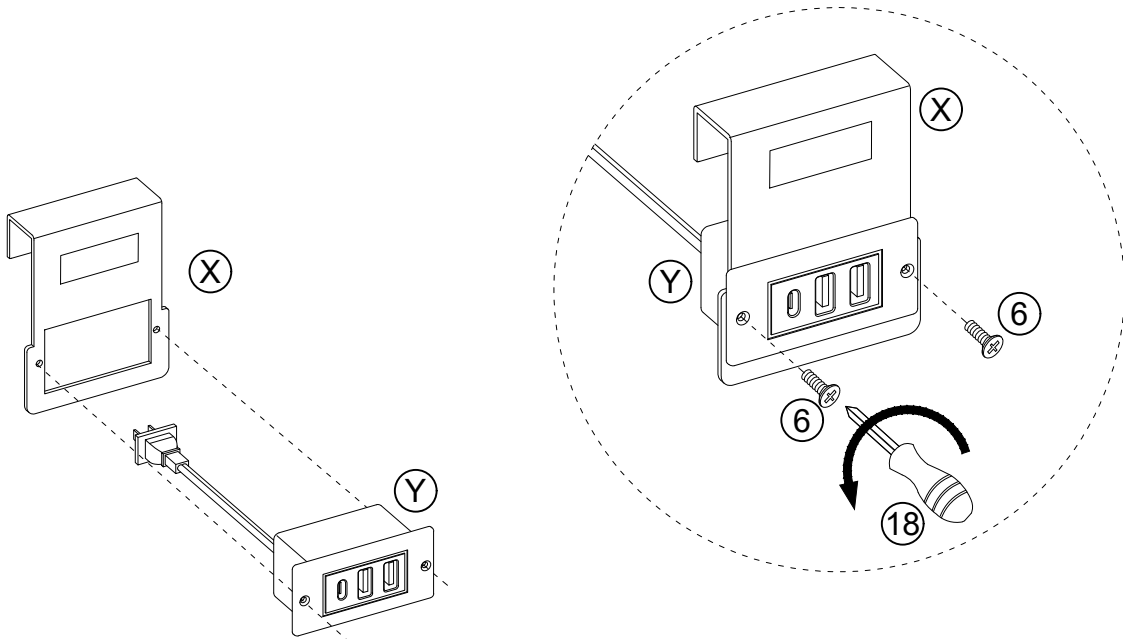
Step 17





⚠ Tip: The two bed slats "Q" should remember to lock screws.

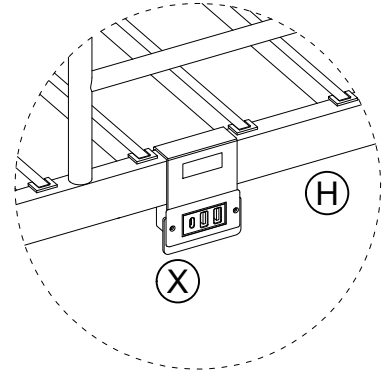
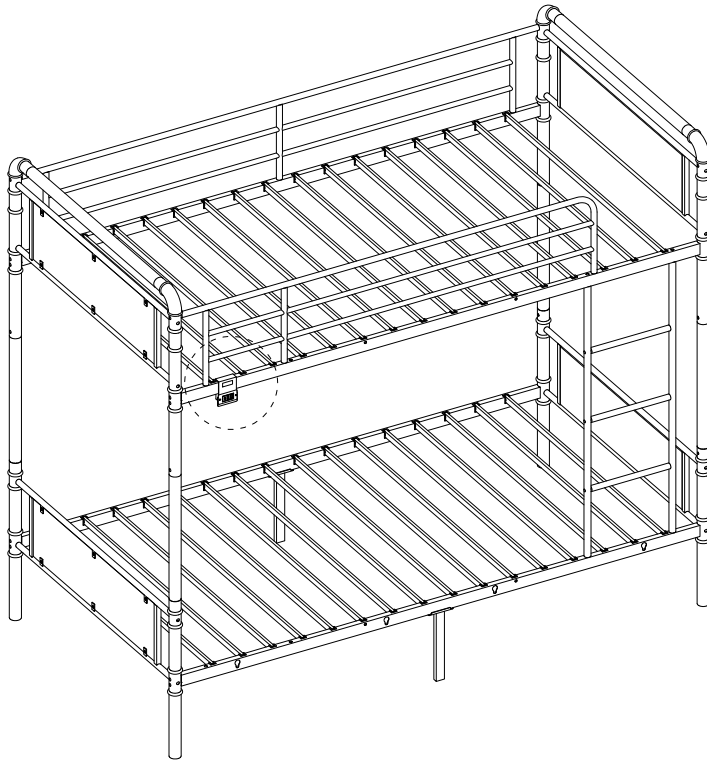
| | |
|---|----------|
|  | 4 × 4PCS |
|  | 20 × 1PC |

Step 18



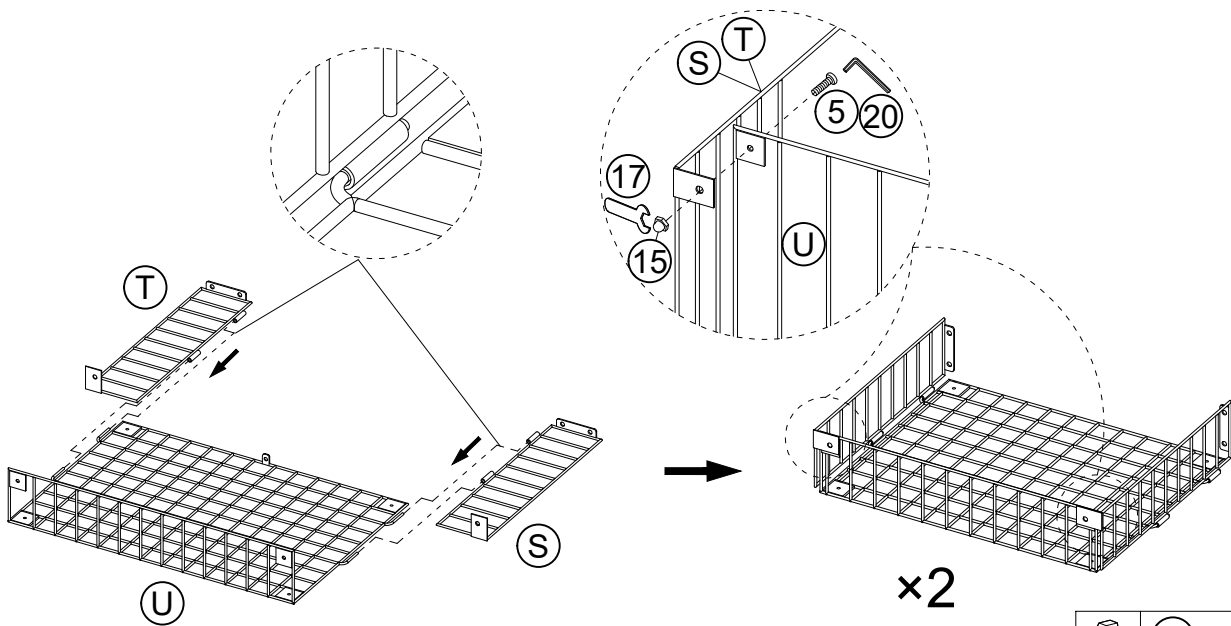
| | |
|---|----------|
|  | 6 × 2PCS |
|  | 18 × 1PC |


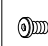
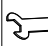

Step 19



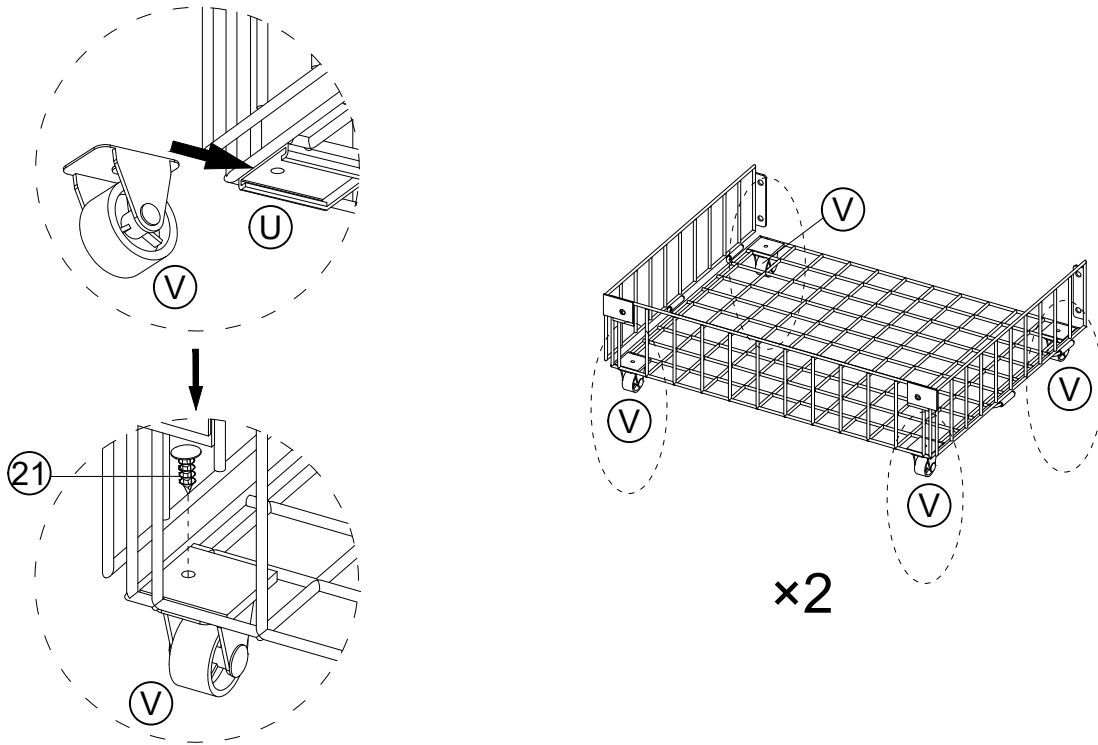
Tip: Charge station can be placed anywhere.


Step 20



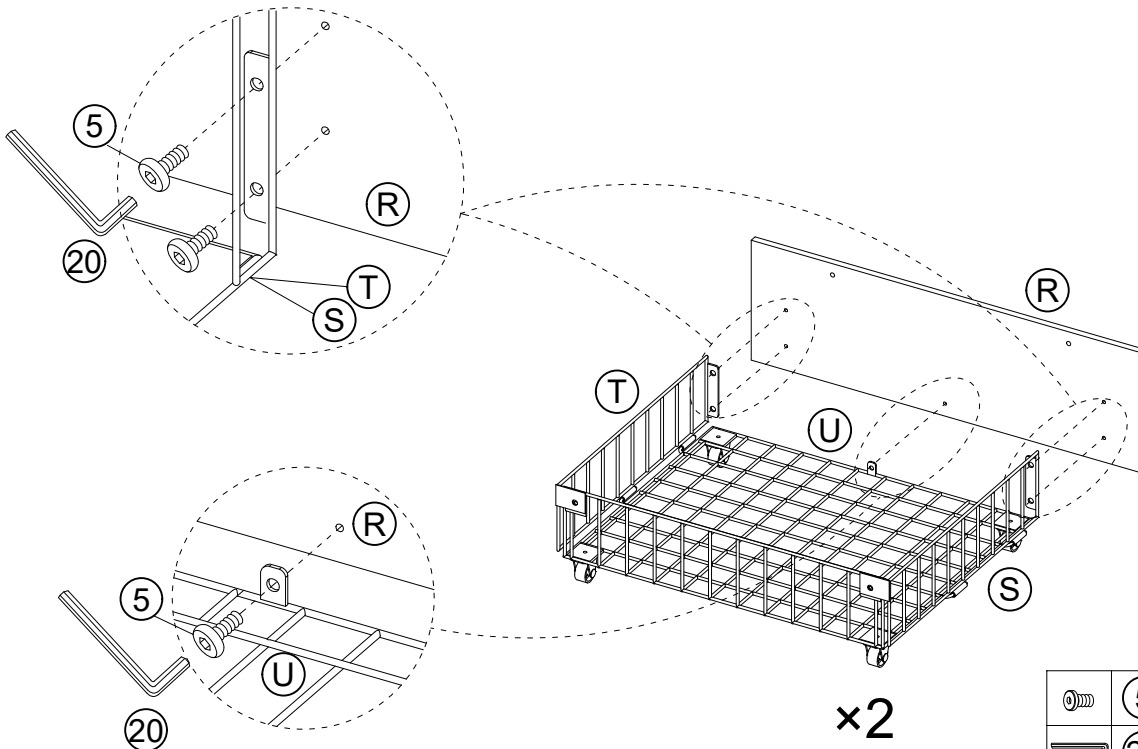
| | |
|---|----------|
|  | ①⑤ ×4PCS |
|  | ⑤ ×4PCS |
|  | ①⑦ ×1PC |
|  | ②① ×1PC |



Step 21



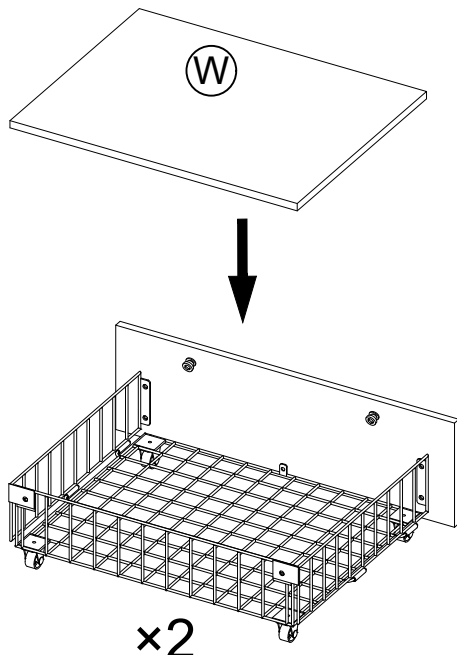
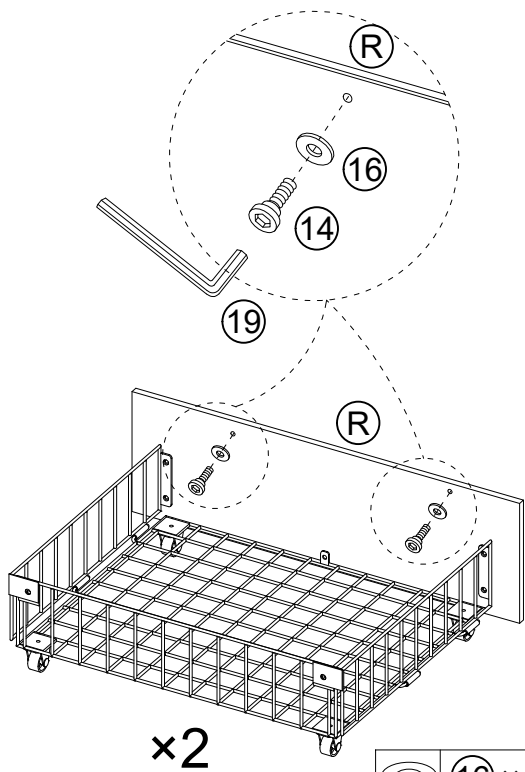
 21 x 8PCS




Step 22



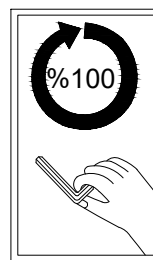
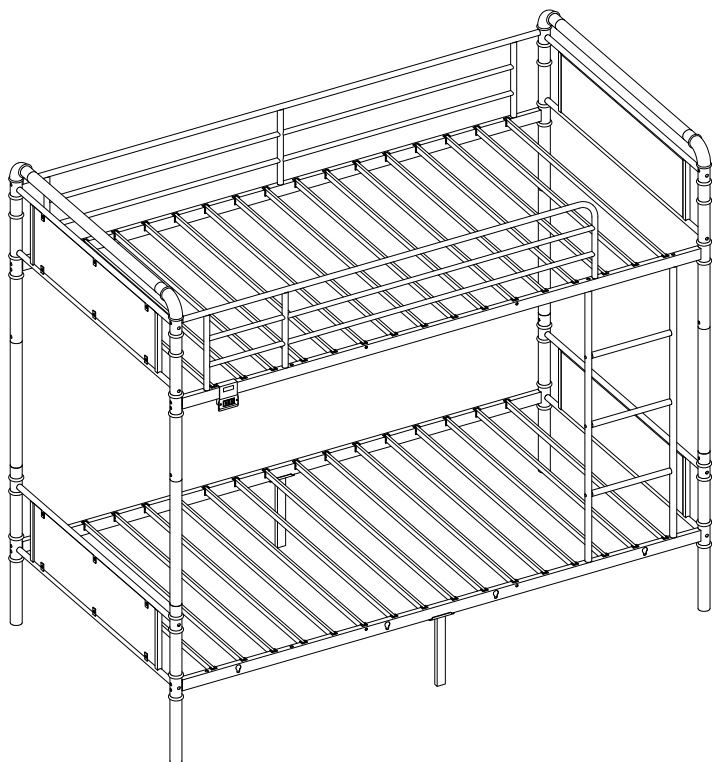
 5 x 10PCS
 20 x 1PC

Step 23



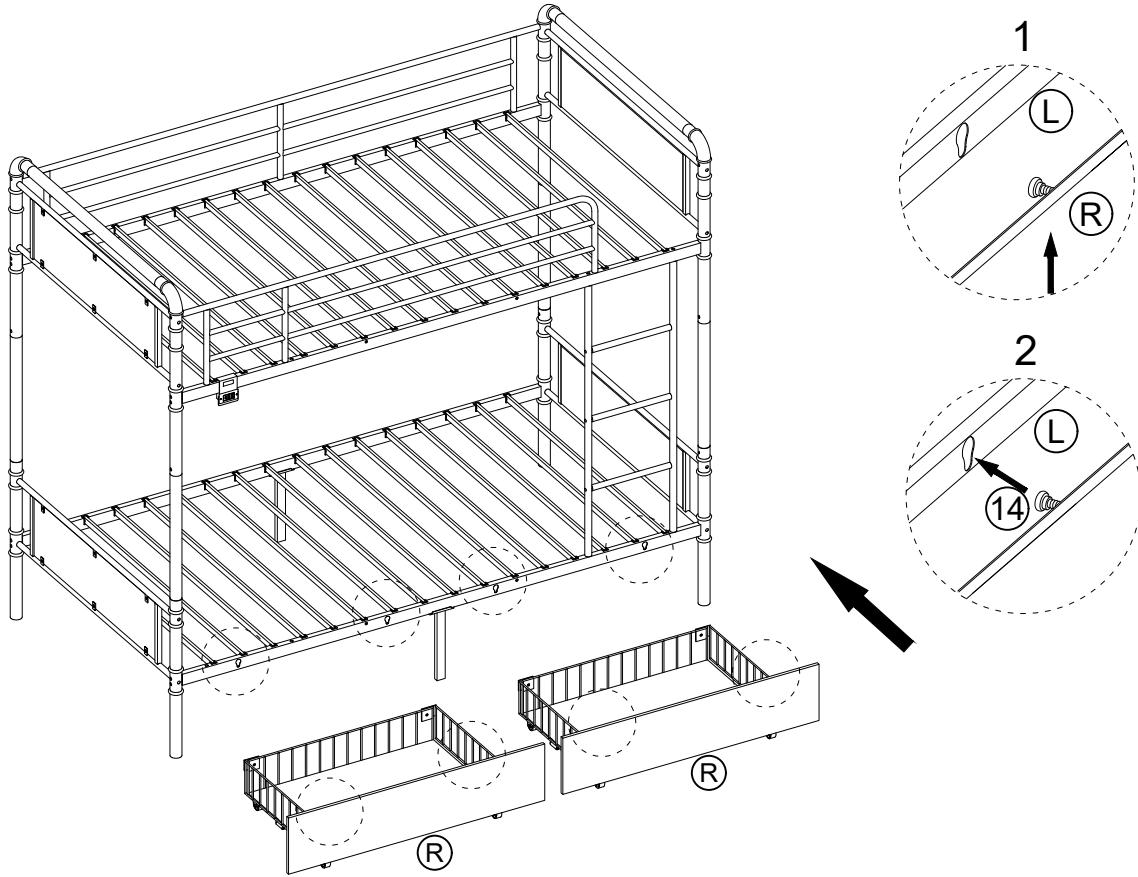
| | |
|---|----------|
|  | 16 x4PCS |
|  | 14 x4PCS |
|  | 19 x1PC |

Step 24

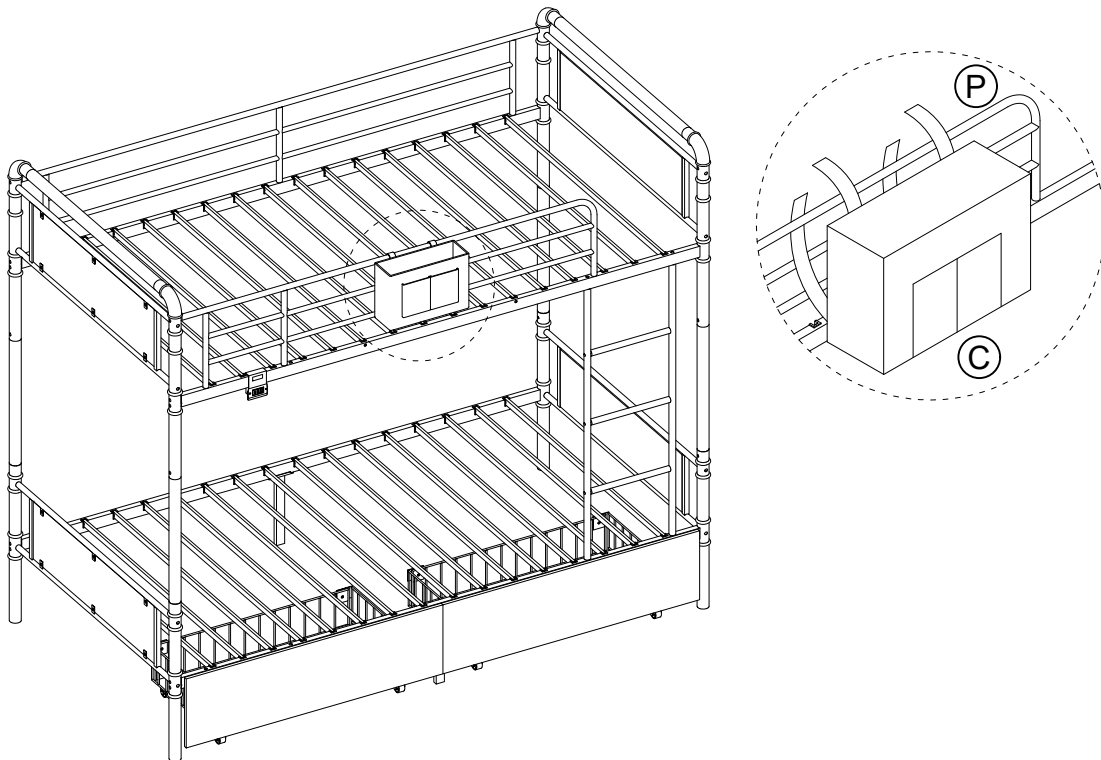


**Tighten
All Screws
100%**

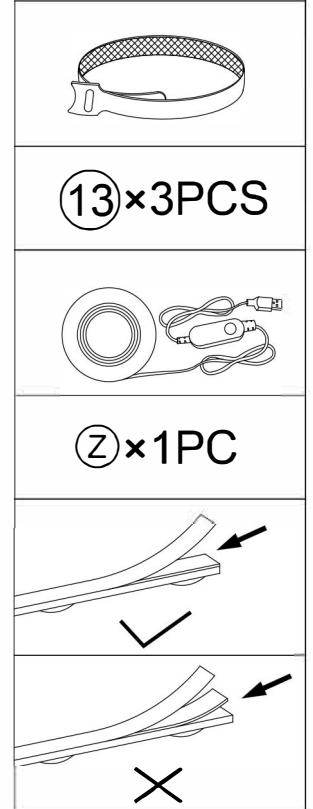
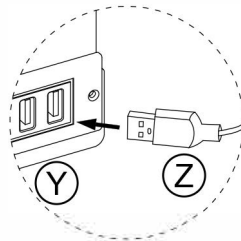
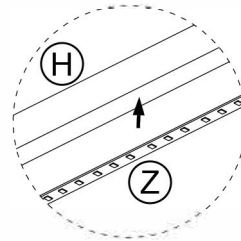
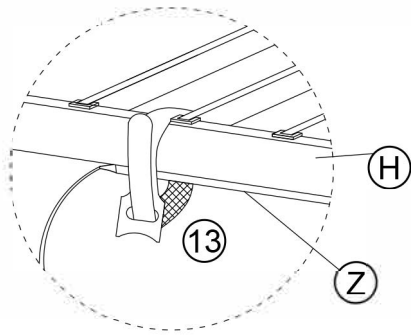
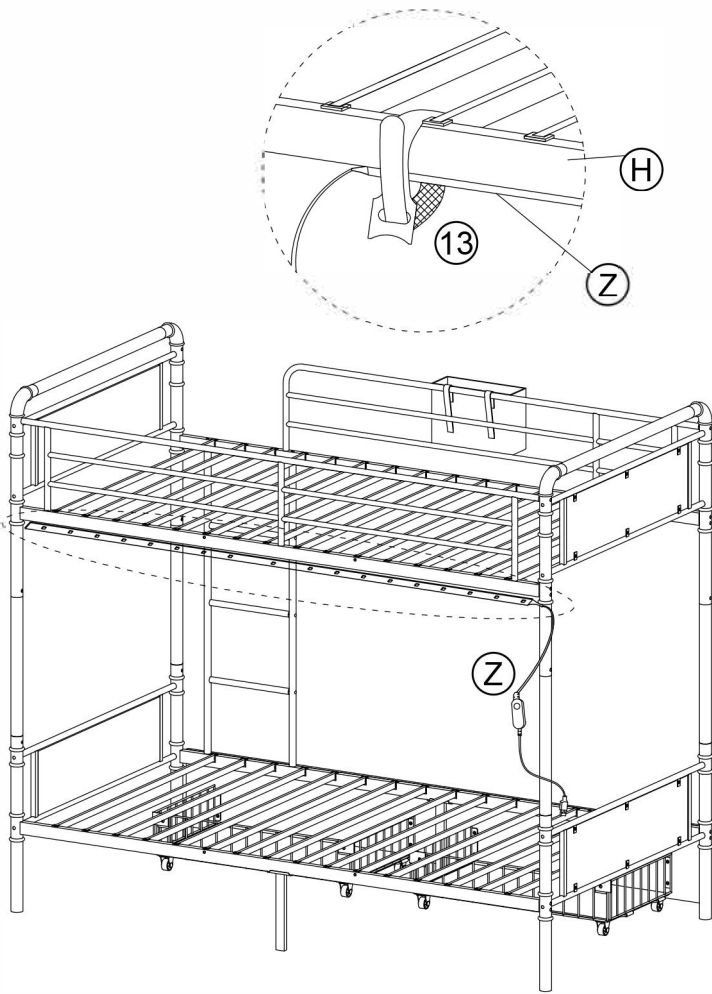
Step 25



Step 26



Step 27



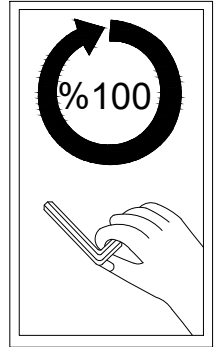
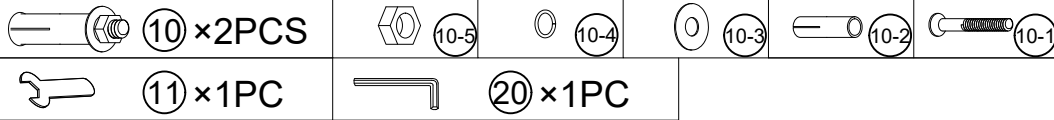
APP Download

This APP program requires phones of system above Andriod 4.3 and iOS 8.0.

APP Overview

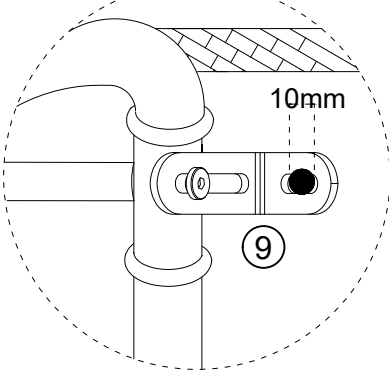
Through this mobile APP, you can not only control the color, brightness and color temperature of the LED strips but also set up all kinds of fancy flash mode; Also this APP can change the light of the LED strip according to the rhythm of the music. This APP can set and control several LED strips through Bluetooth and the operation is very simple, easy to learn and easy to use.

Step 28

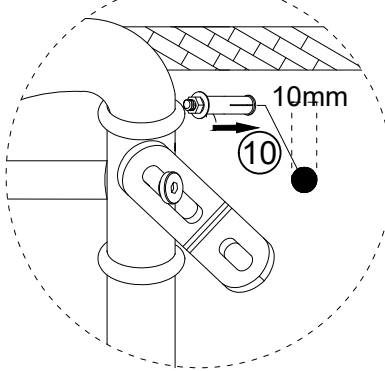


**Tighten
All Screws
100%**

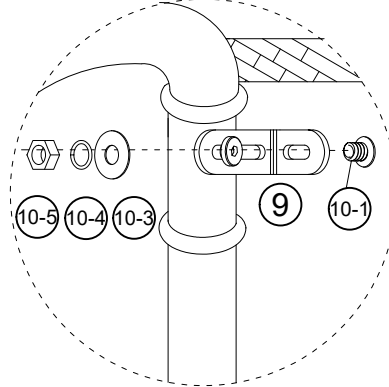
Step1



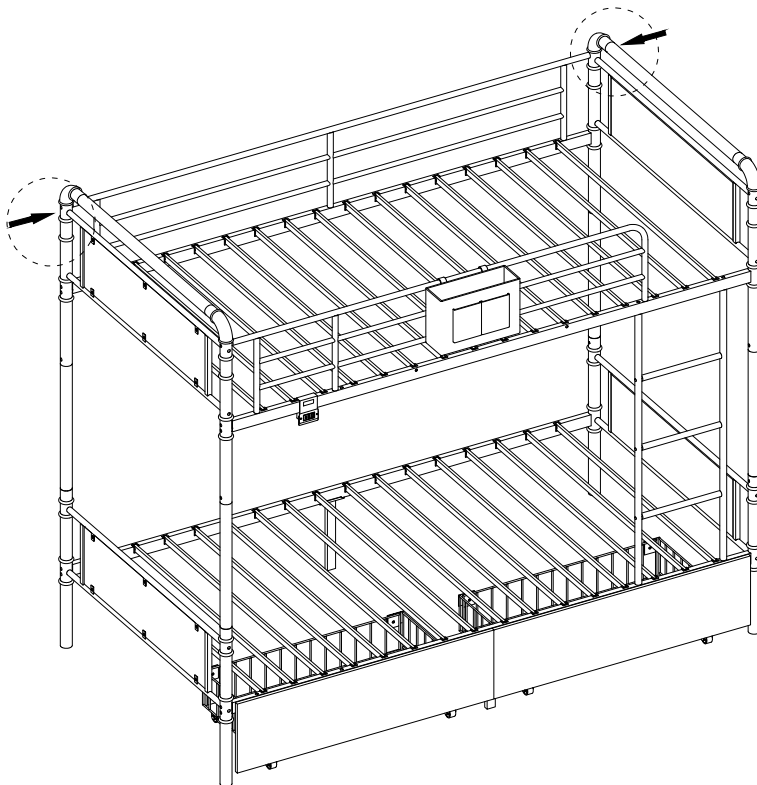
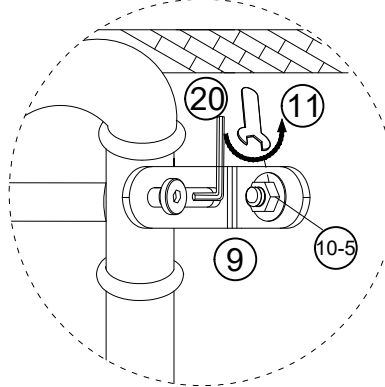
Step2



Step3

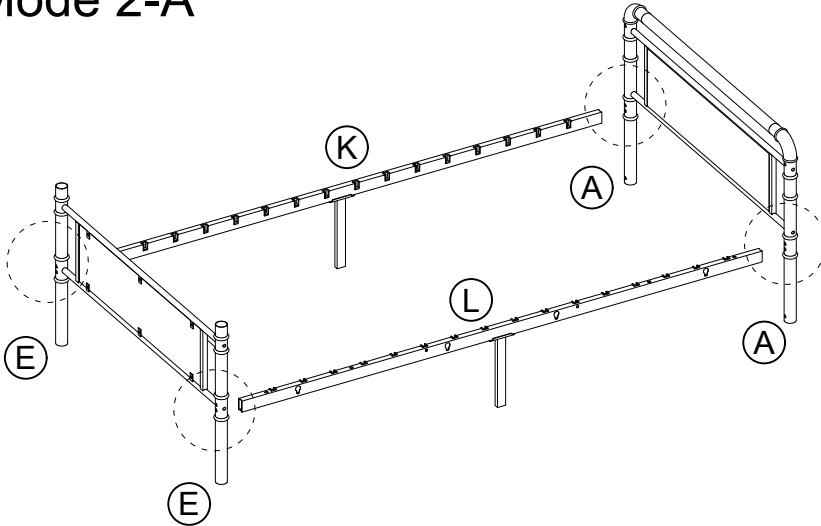




Step4



Step 29

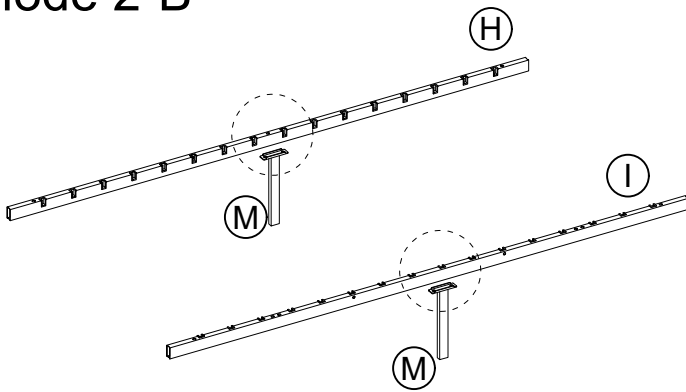
Mode 2-A





| | |
|---|----------|
|  | ① × 8PCS |
|  | ⑱ × 1PC |

Step 30

Mode 2-B

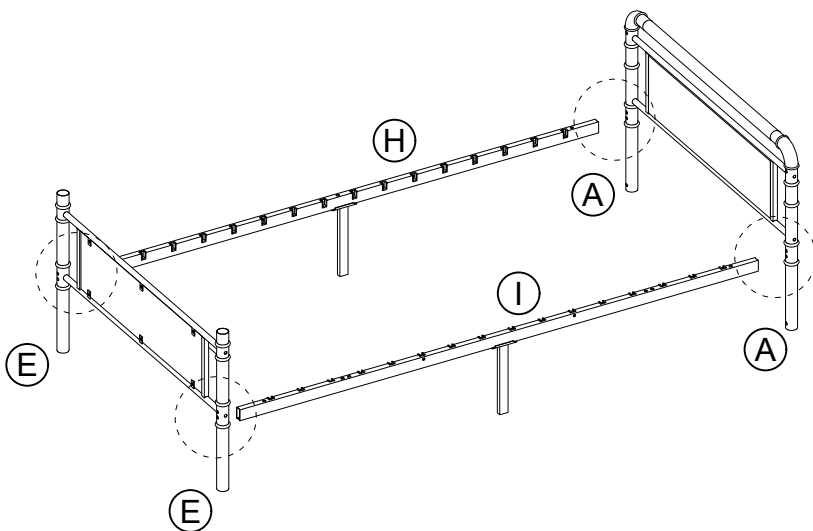




⚠ **Tip:** When used as a single bed, remember to lock the support feet.

| | |
|---|----------|
|  | ② × 4PCS |
|  | ⑱ × 1PC |

Step 31

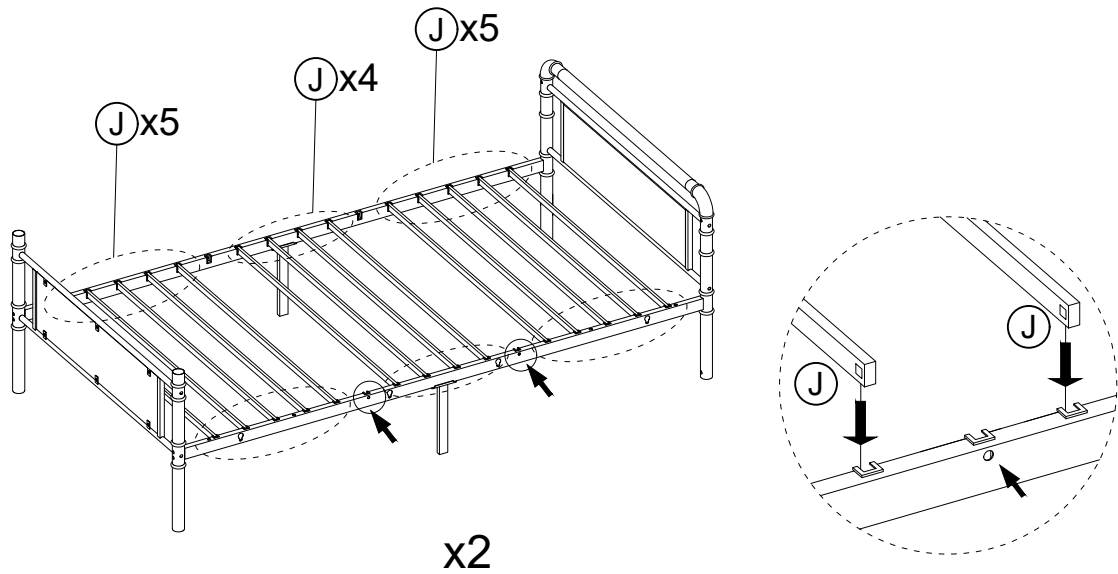
Mode 2-B



| | |
|---|----------|
|  | ① × 8PCS |
|  | ⑱ × 1PC |

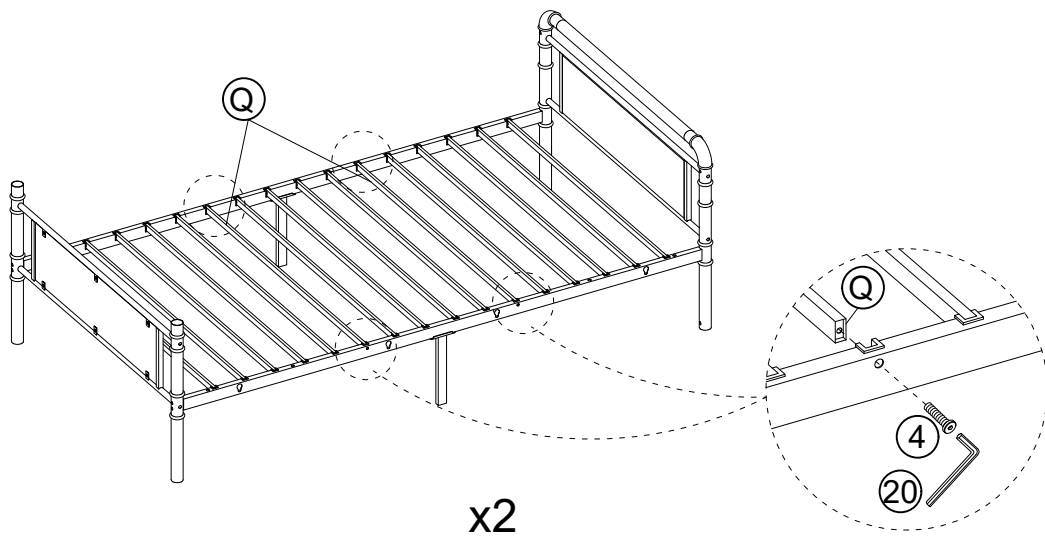
Step 32

Mode 2-A
Mode 2-B





Step 33

Mode 2-A
Mode 2-B

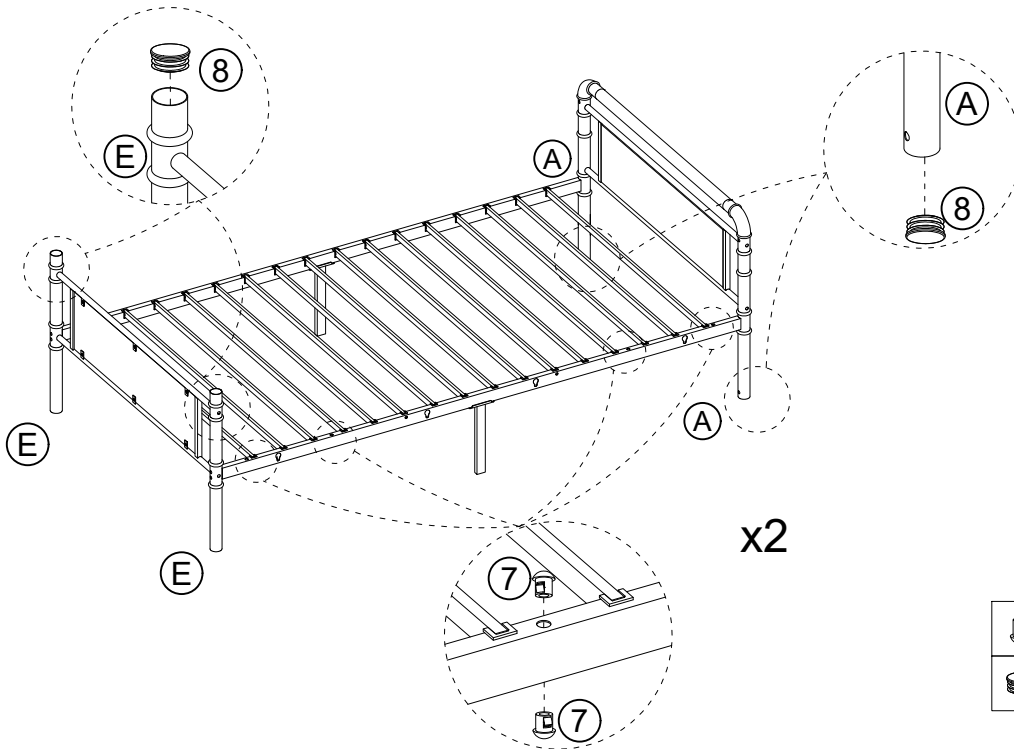


⚠ Tip: The two bed slats " Q " should remember to tighten screws 100%.

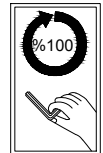
| | |
|---|----------|
|  | ④ x 8PCS |
|  | ②0 x 1PC |

Step 34

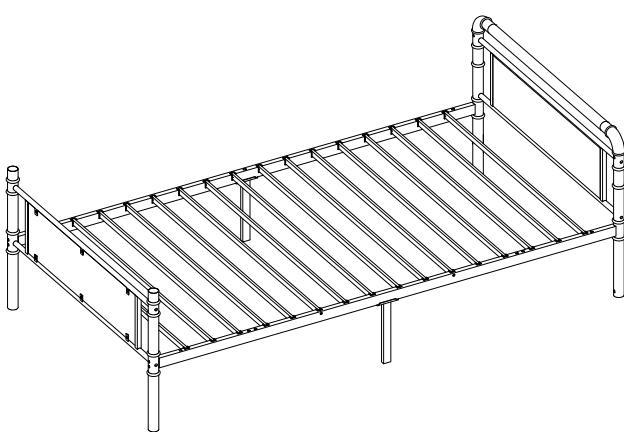
Mode 2-A
Mode 2-B



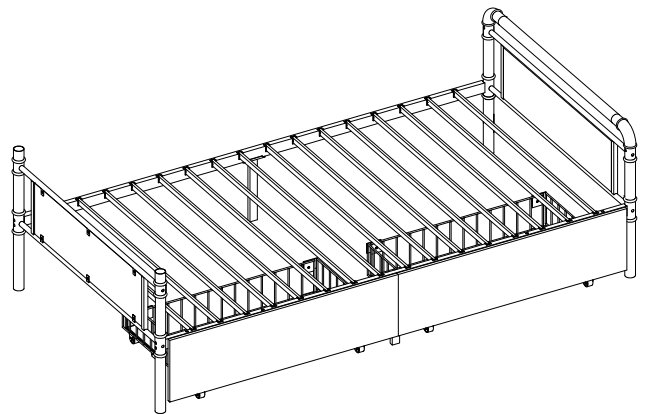
Step 35



**Tighten
All Screws
100%**



Mode 2-A



Mode 2-B