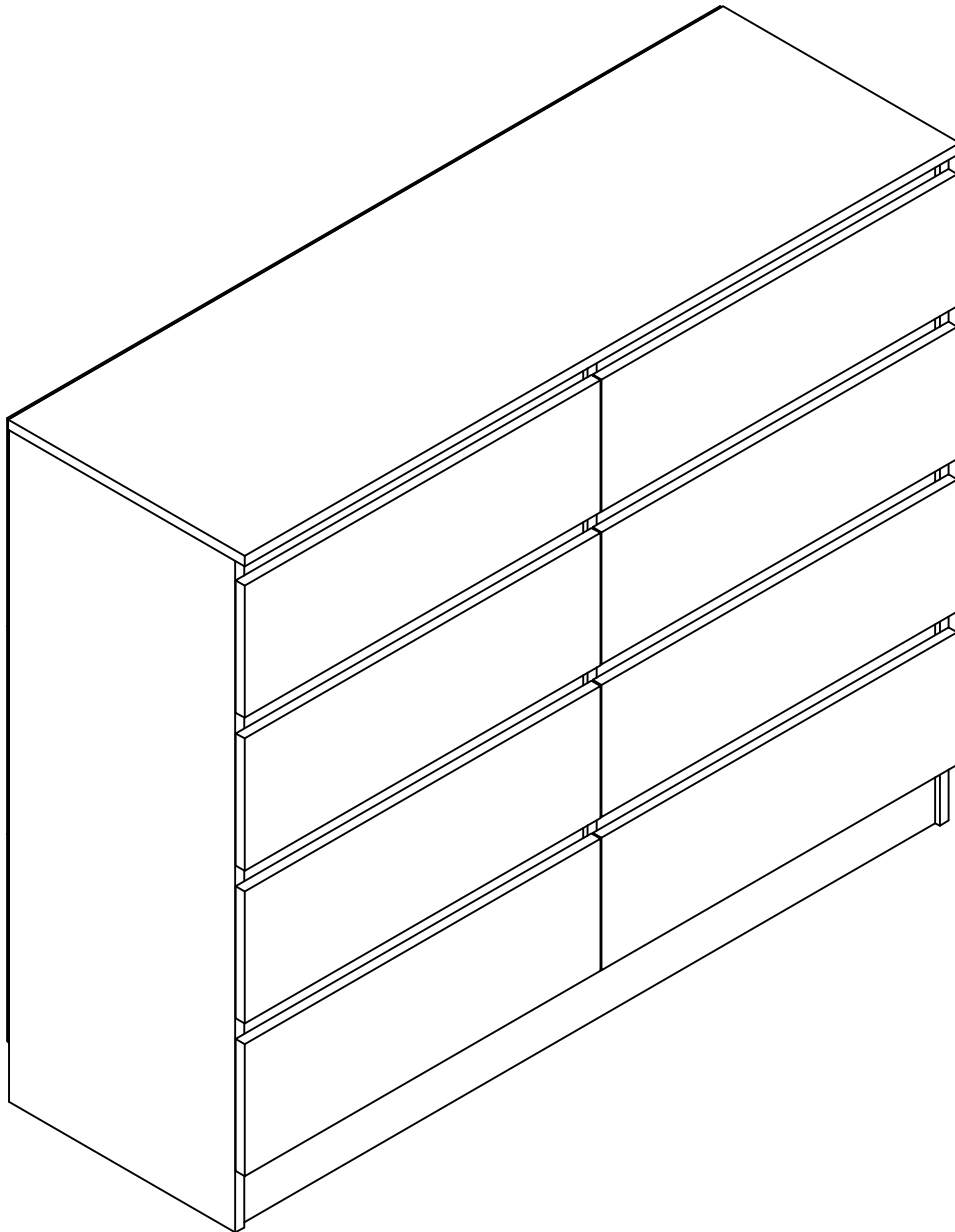


BEDROOM FURNITURE SET

4+4 DRAWER CHEST

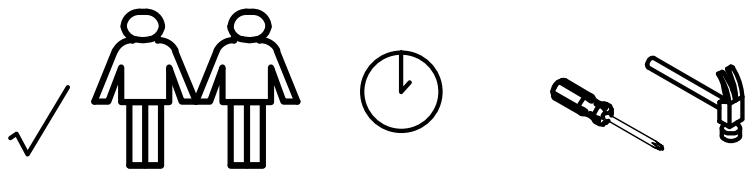
ASSEMBLY INSTRUCTION - Please Keep For Future Reference



Safety and Care Advice

IMPORTANT - Please Read This Instruction Carefully Before Assembly.

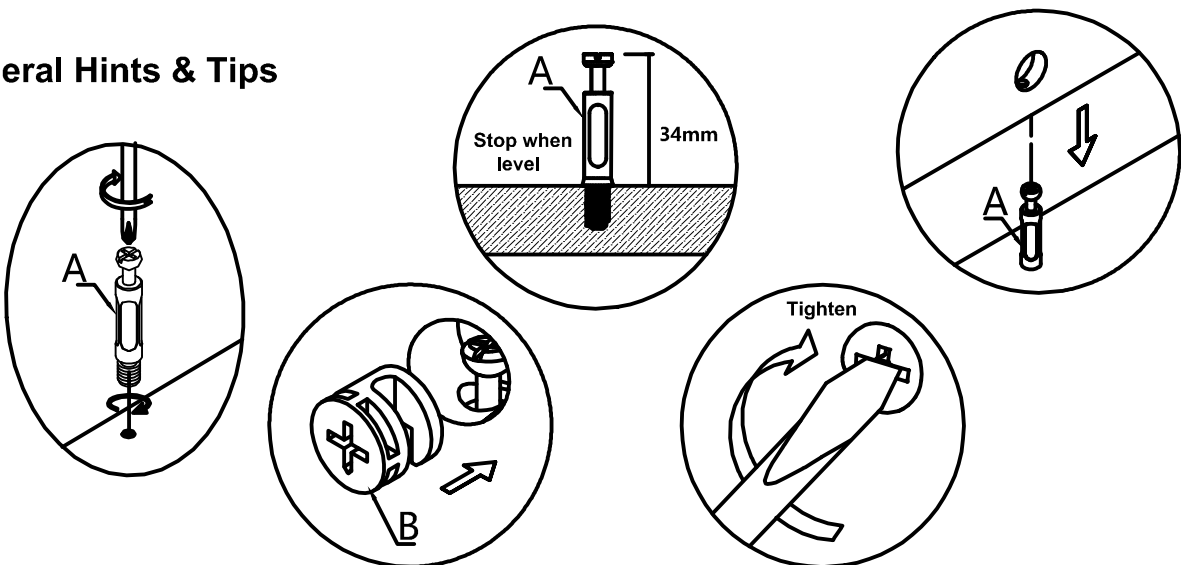
- Check you have all the components and tools listed on page 3.
- Do not stand or put weight on the product, this could cause damage.
- Do not use power drill/drivers for assembly, or the unit may be damaged.
- Remove all settings from the plastic bags and separate them into their groups.
- Assemble the item as close to it's intended position (in the same room) as possible.
- Assemble on a soft level surface to avoid damaging the unit.
- Dispose of all packaging carefully and responsibly.
- Keep children and animals away from the work area, small parts could choke if swallowed.
- Assemble the assembly will be easier with 2 people.
- Make sure you have enough space to layout the parts before assembly.



CARE and MAINTENANCE

- Only clean using a damp cloth and mild detergent, do not use bleach or abrasive cleaners.
- From time to time check that there are no loose screws on this unit.
- This product should not be discarded with household waste. Take to your local authority waste disposal center.

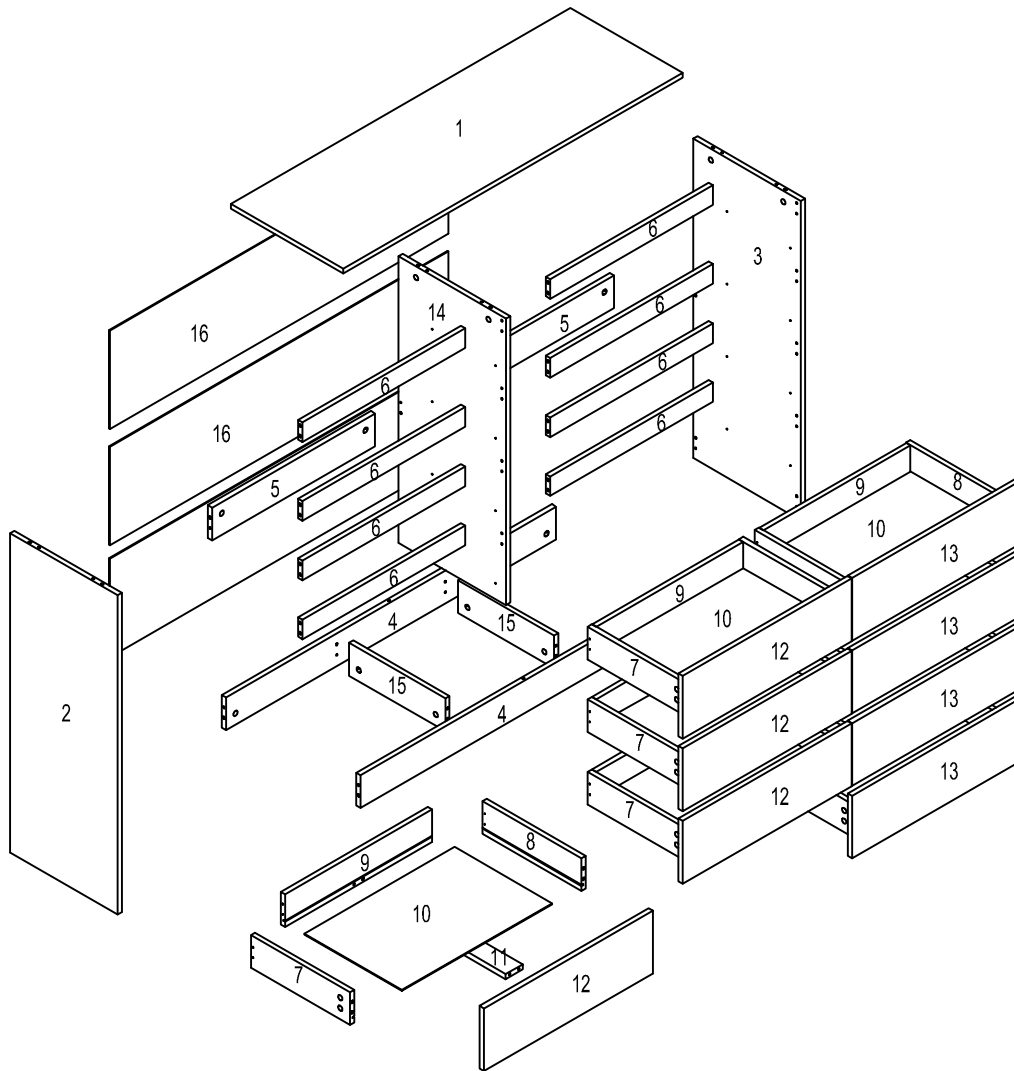
General Hints & Tips

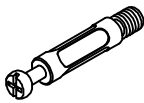
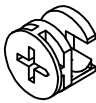
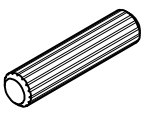


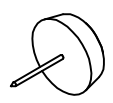




Components and Tools

IMPORTANT - Please Check If You Have All The Components and Tools.

Note: The quantities below are the correct amount to complete the assembly. In some cases more pieces may be supplied than are required.

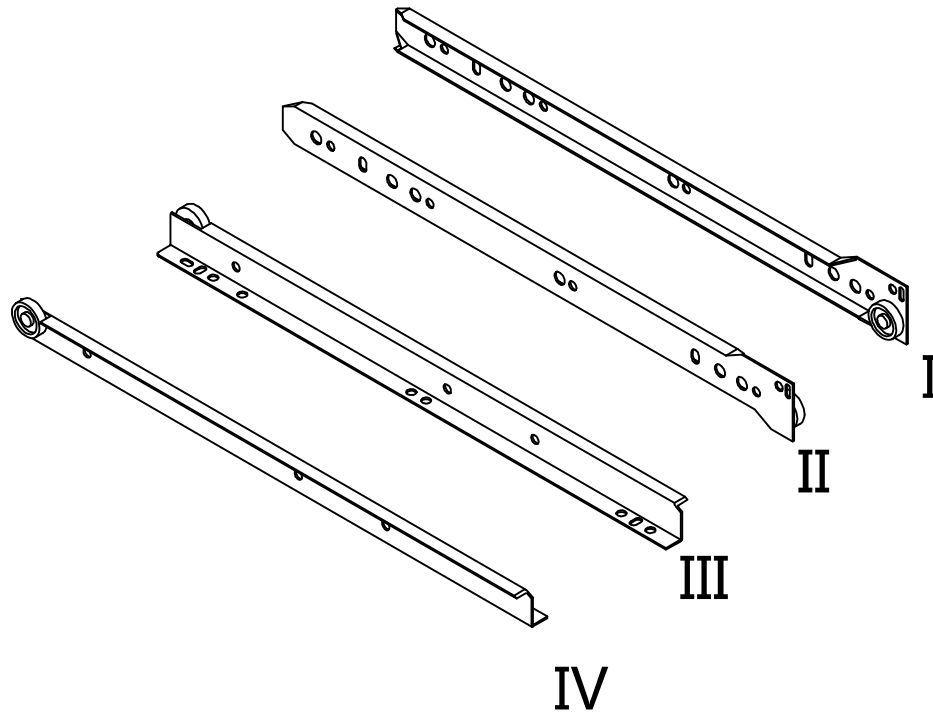


<p>A=82</p>  <p>Peg M6*34mm</p>	<p>B=82</p>  <p>Lock M15*12mm</p>	<p>C=52</p>  <p>Dowel M6*30mm</p>	<p>D=64</p>  <p>Screw M3.5*14mm</p>	<p>E=32</p>  <p>Screw M4*38</p>	<p>F=8</p>  <p>Plastic Feet</p>
<p>G=20</p>  <p>Pin</p>	<p>H=8</p>  <p>Drawer Runner</p>				

Drawer Runner Instruction

IMPORTANT - Please Read It Carefully.

NOTE:1 PAIR DRAWER RUNNER INCLUDES 4 PIECES.



Fittings (not to scale)

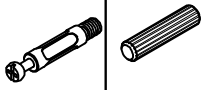
NO.	DESCRIPTION	QTY		
I	Outer Drawer Runner - Right	2PCS		
II	Outer Drawer Runner - Left	2PCS		
III	Inner Drawer Runner - Right	2PCS		
IV	Inner Drawer Runner - Left	2PCS		

Assembly Instruction

Step 1

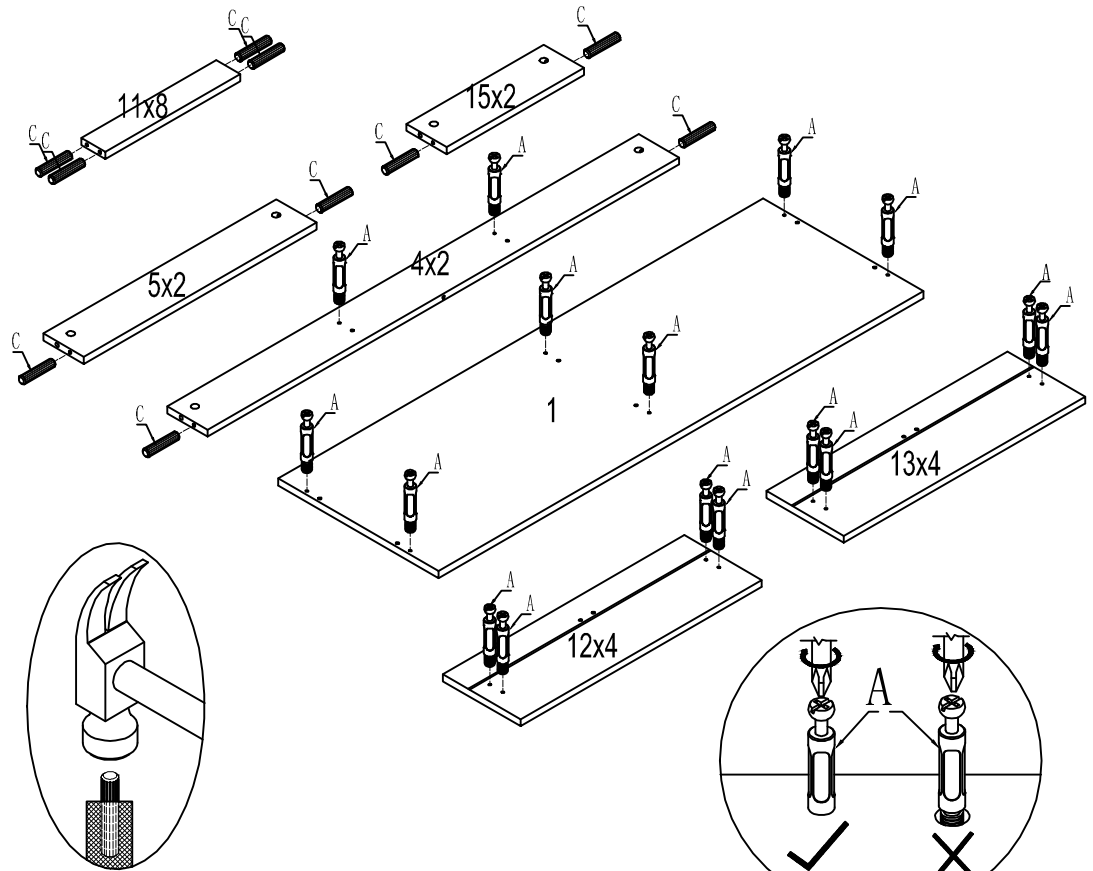
A=42

C=44



Peg

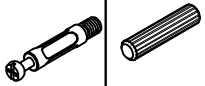
Dowel



Step 2

A=11

C=2

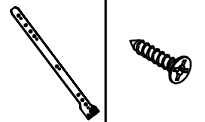


Peg

Dowel

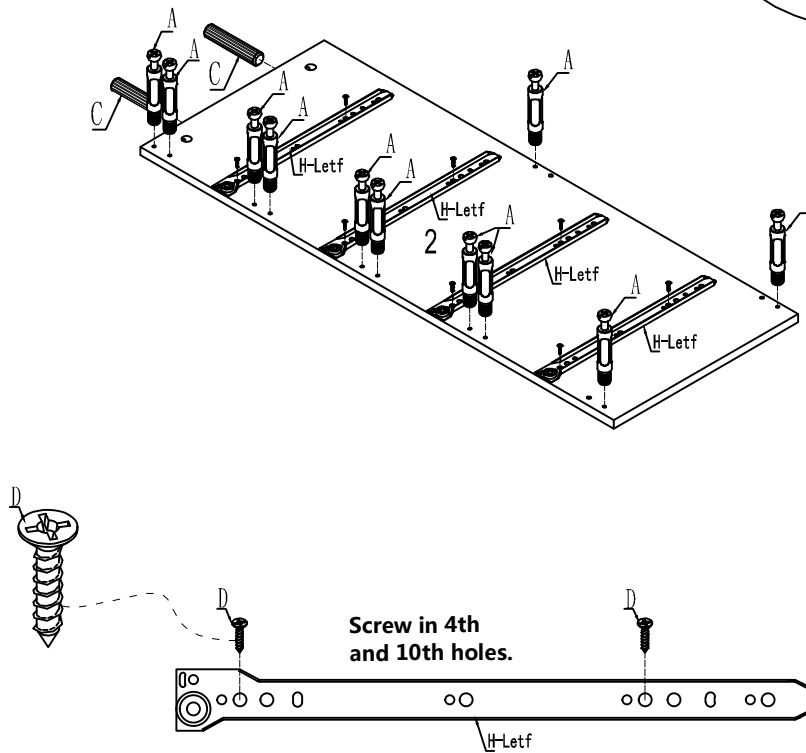
H=4

D=8







II - Left

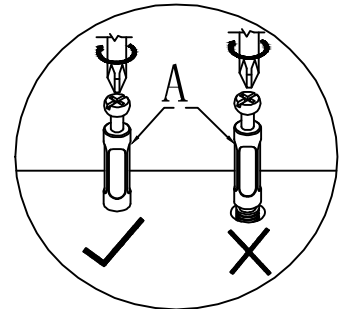
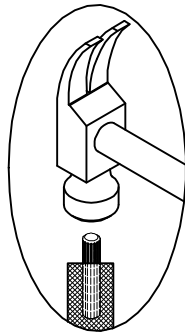
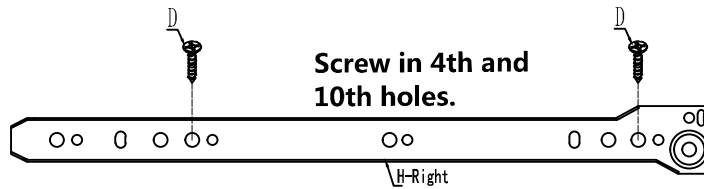
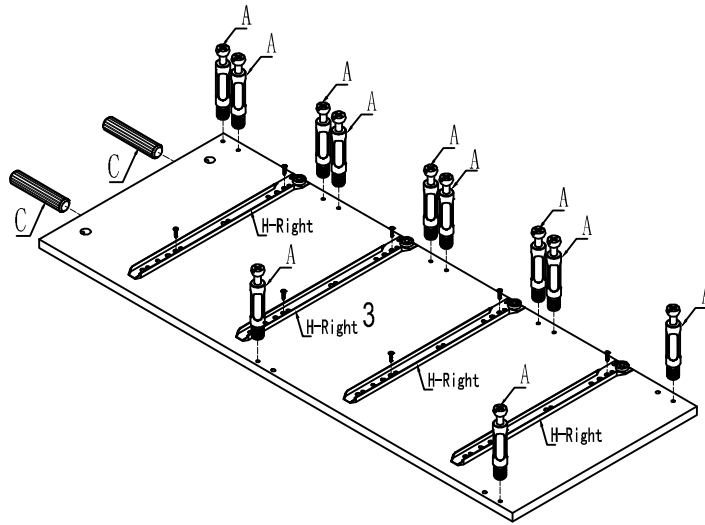
Screw
M3.5*14mm






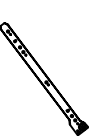

Assembly Instruction

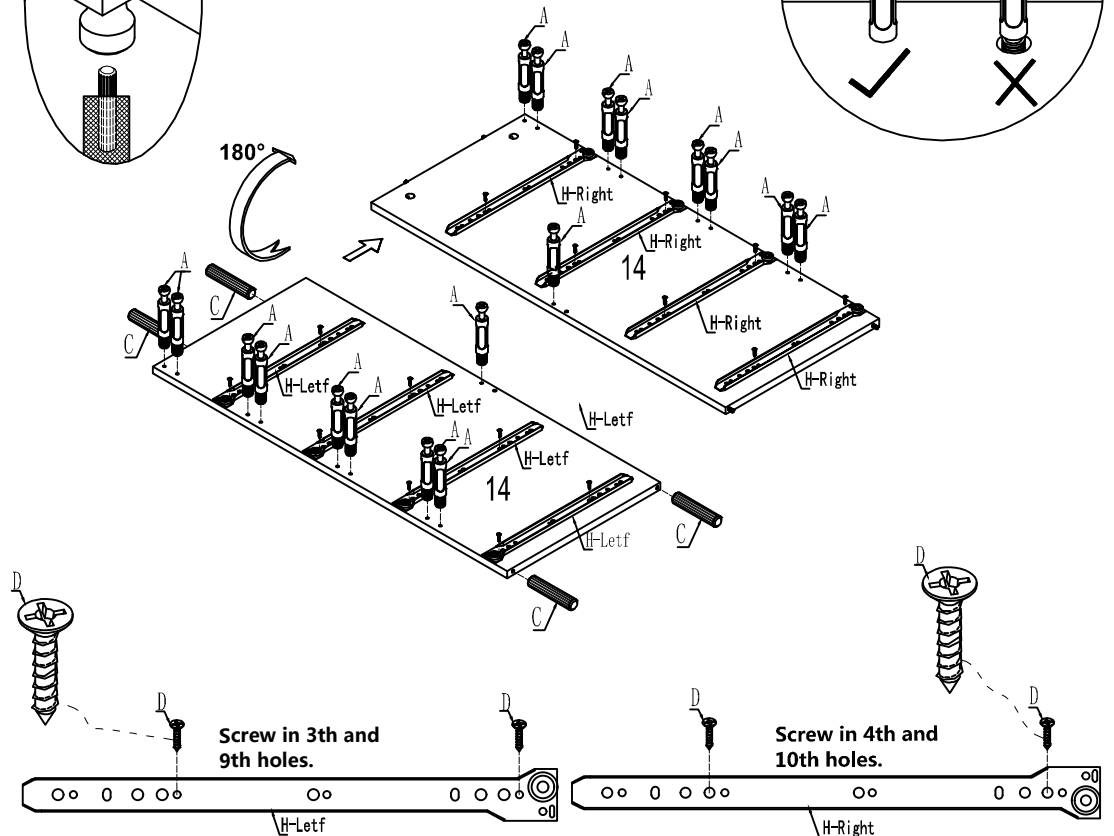
Step 3

A=11	C=2
	
Peg	Dowel
H=4	D=8
	
I- Right	Screw M3.5*14mm



Step 4

A=18	C=4
	
Peg	Dowel
H=4	H=4
	
I- Right	II - Left
D=16	
	
Screw M3.5*14mm	



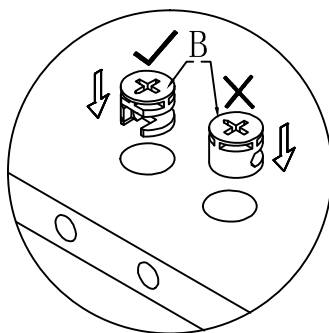
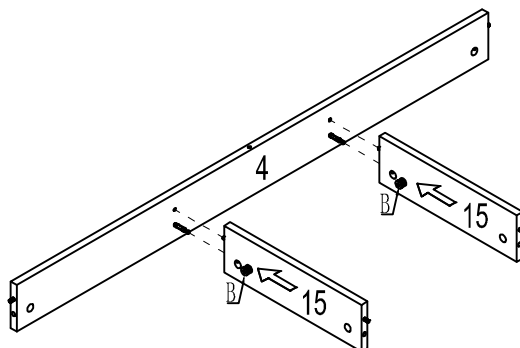
Assembly Instruction

Step 5

B=2



Lock

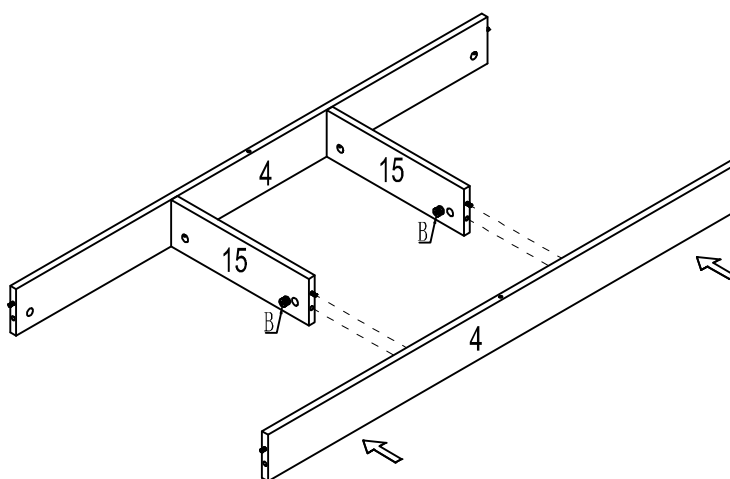


Step 6

B=2



Lock



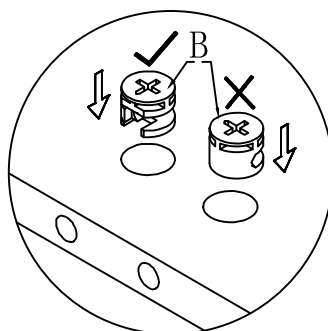
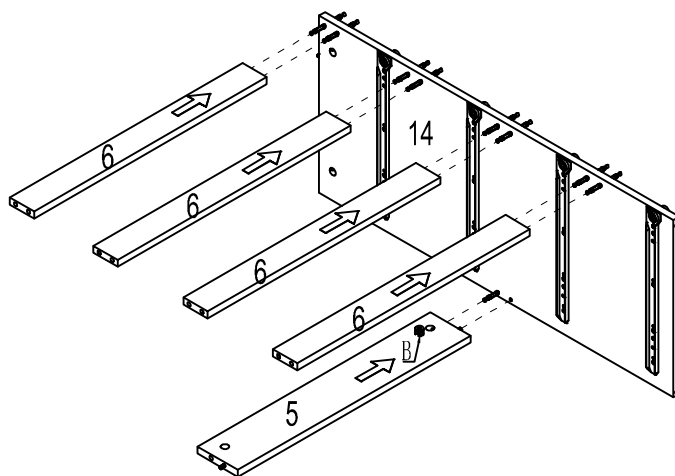
Assembly Instruction

Step 7

B=9



Lock

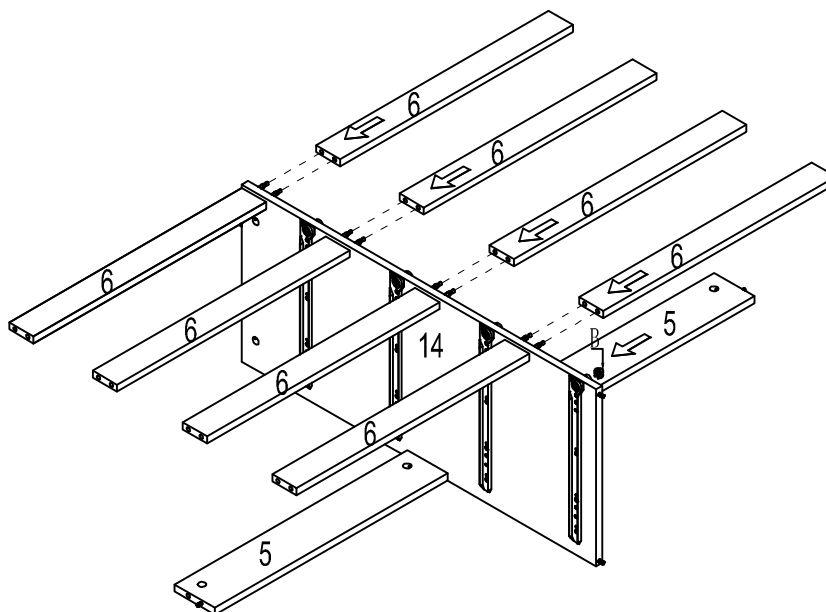


Step 8

B=9

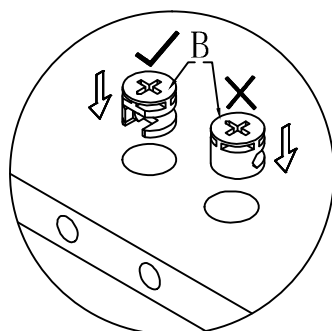
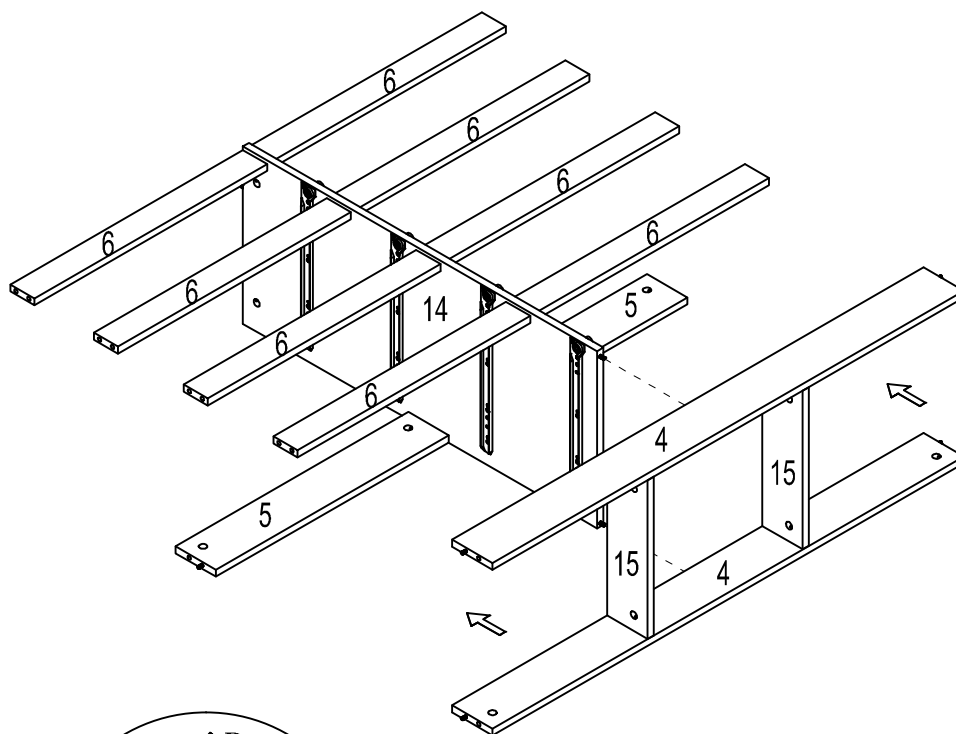


Lock



Assembly Instruction

Step 9

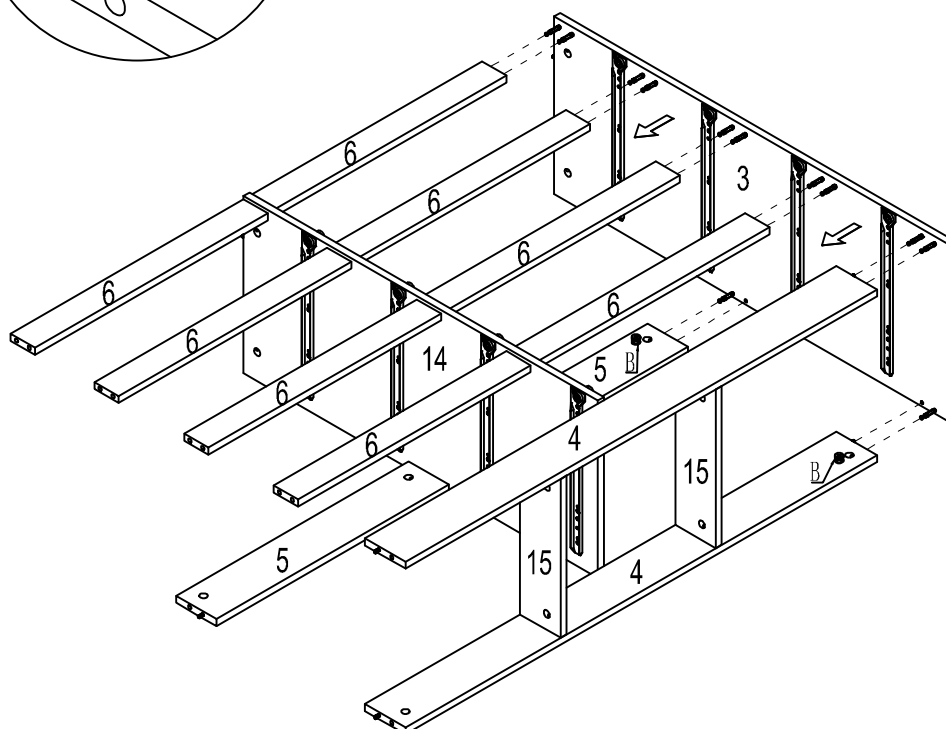


Step 10

B=11



Lock



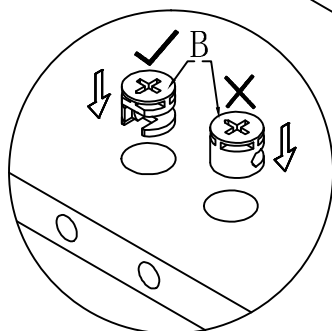
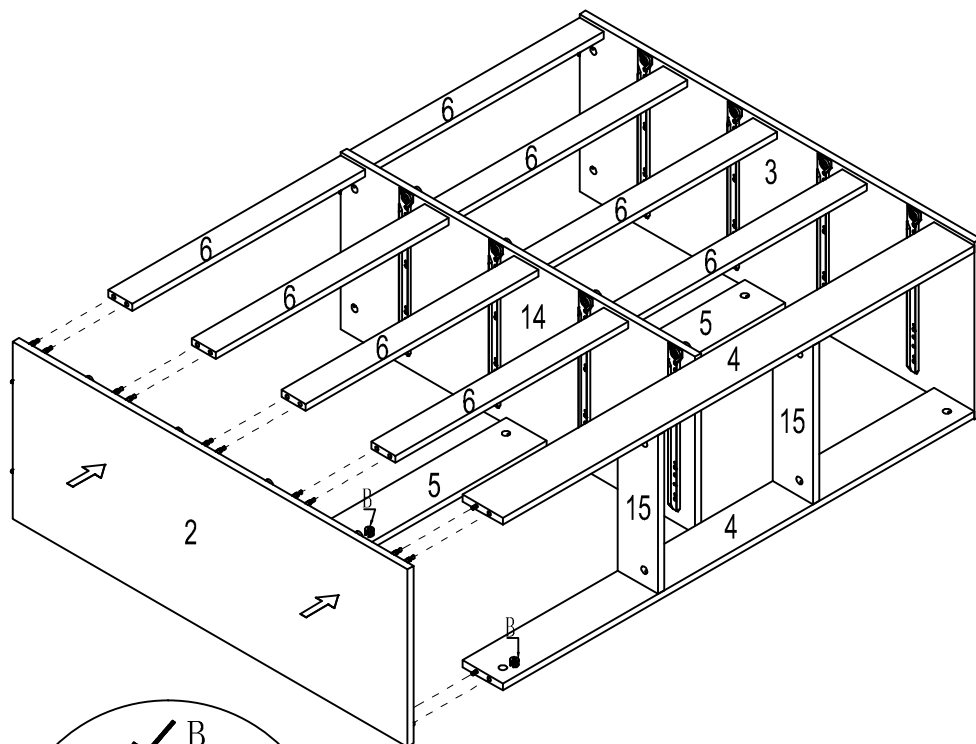
Assembly Instruction

Step 11

B=11



Lock

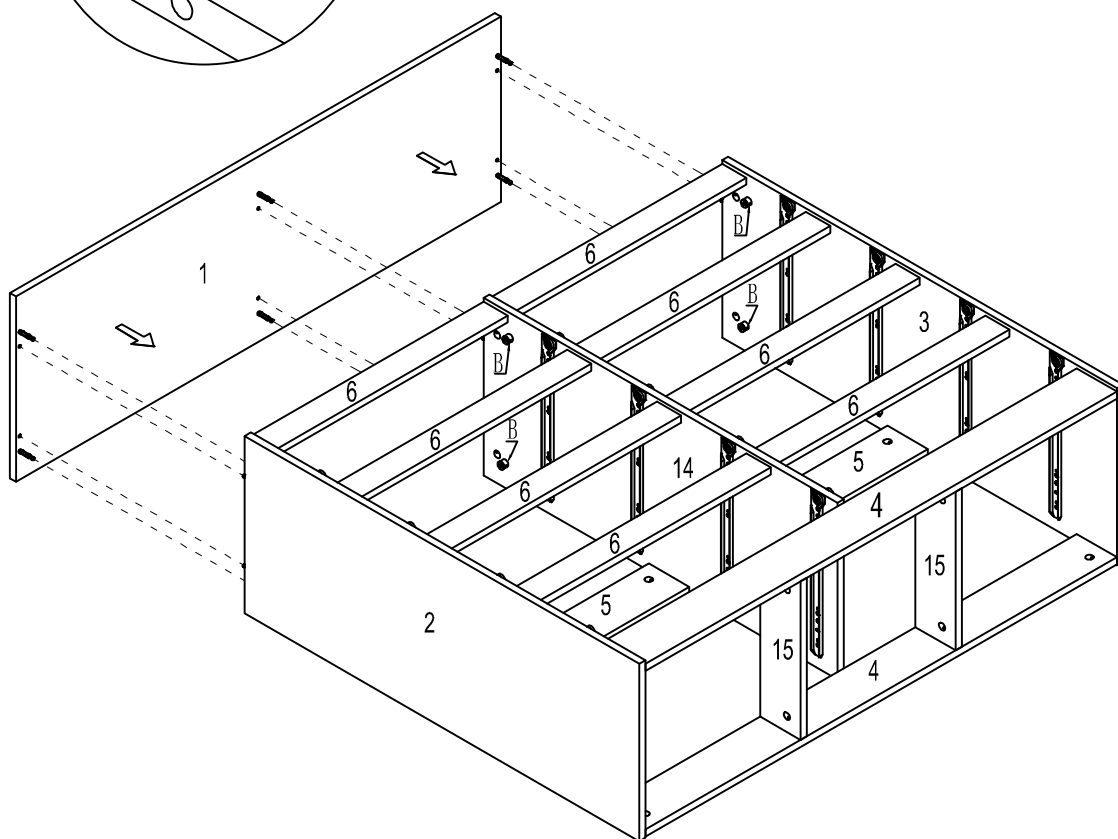


Step 12

B=6



Lock



Assembly Instruction

Step 13

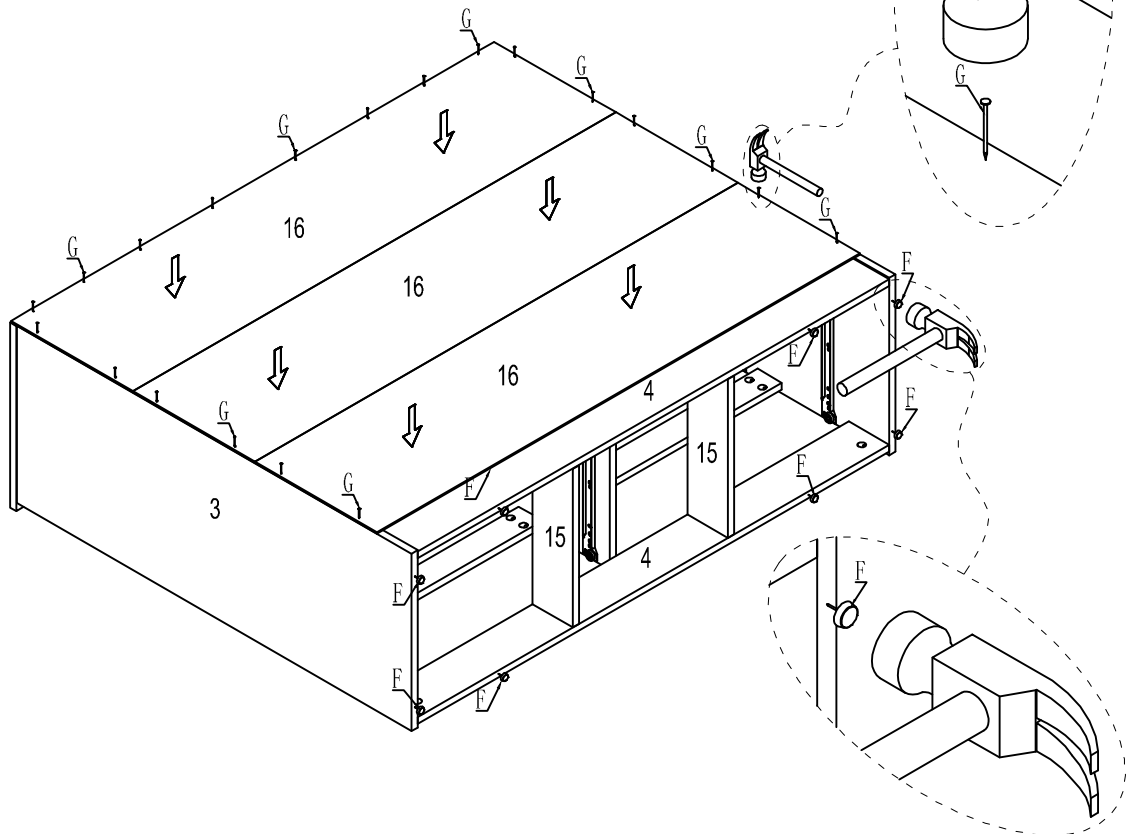
F=8

G=20



Plastic
Feet

Pin



Assembly Instruction

Step 14

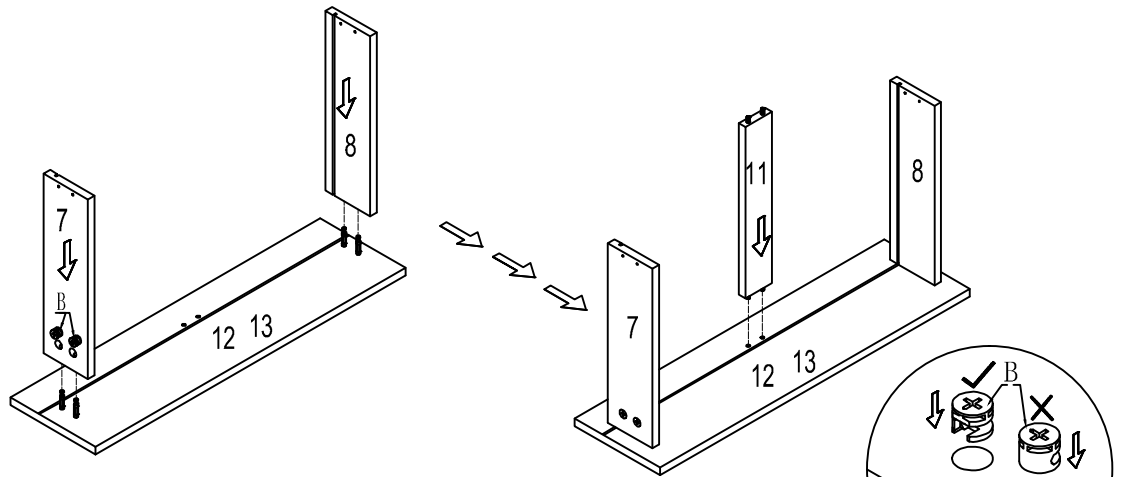
B=32

E=32



Lock

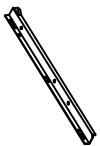
Screw
M4*38



Step 15

H=8

H=8



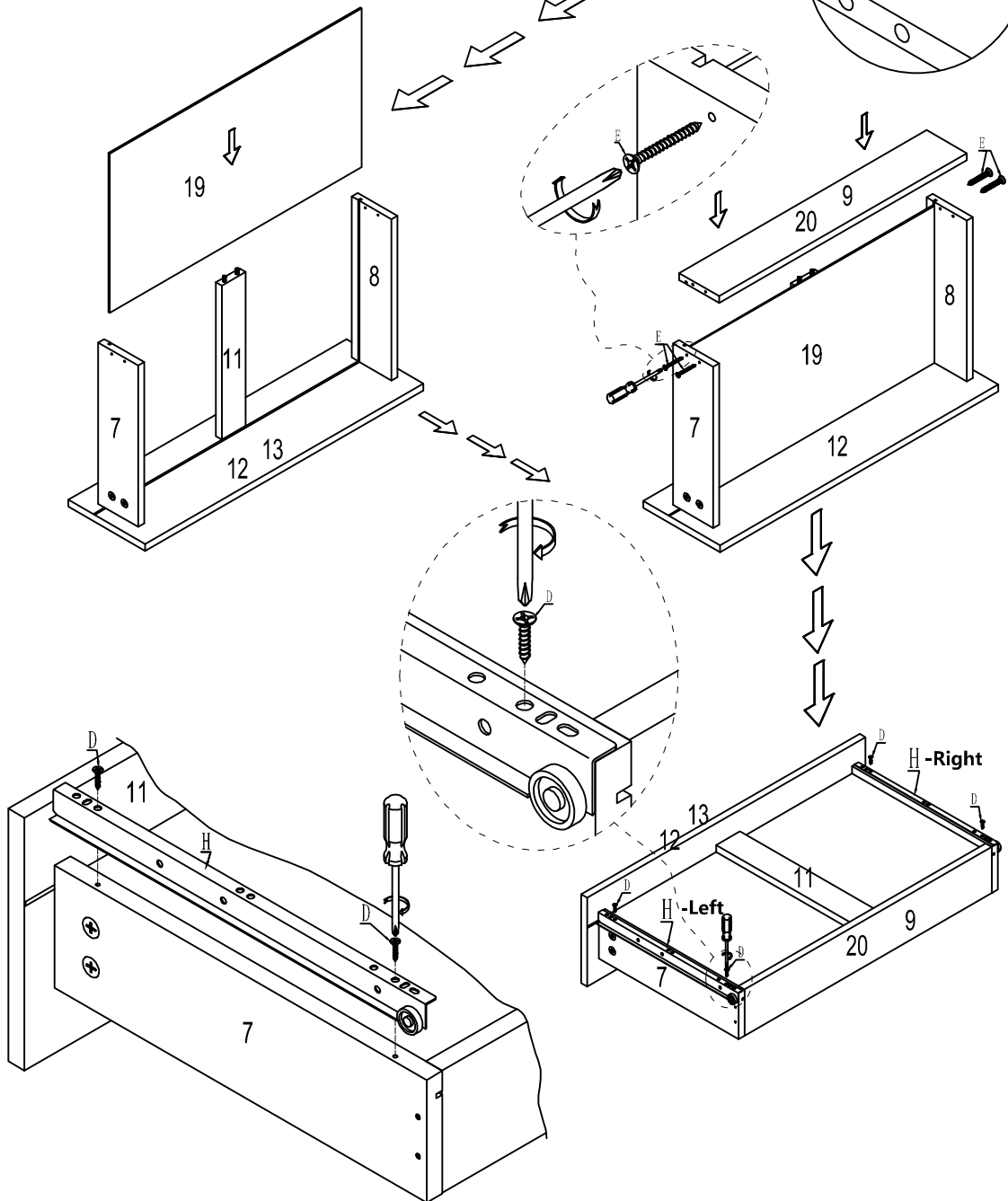
Right

Left

D=32

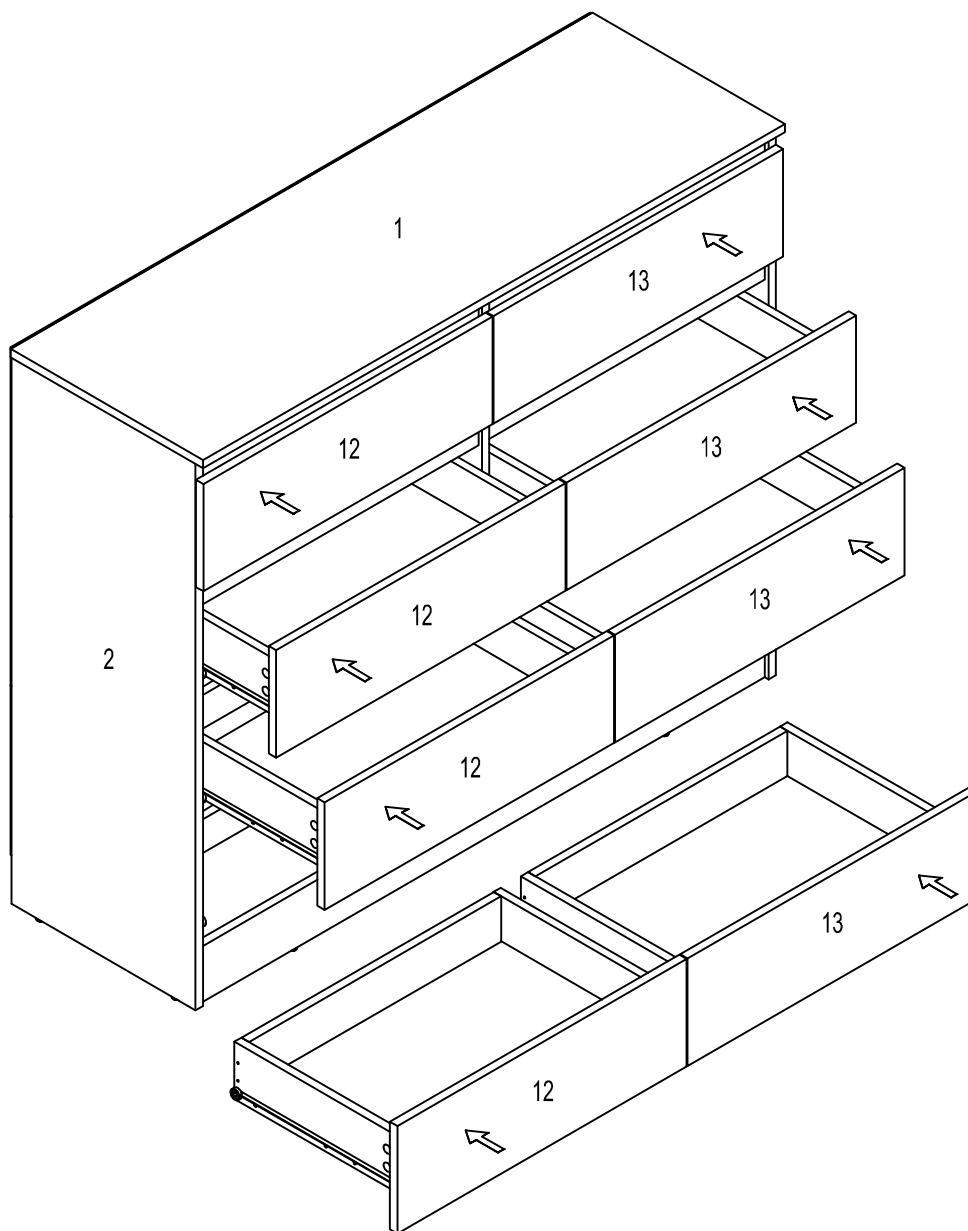


Screw
M3.5*14mm



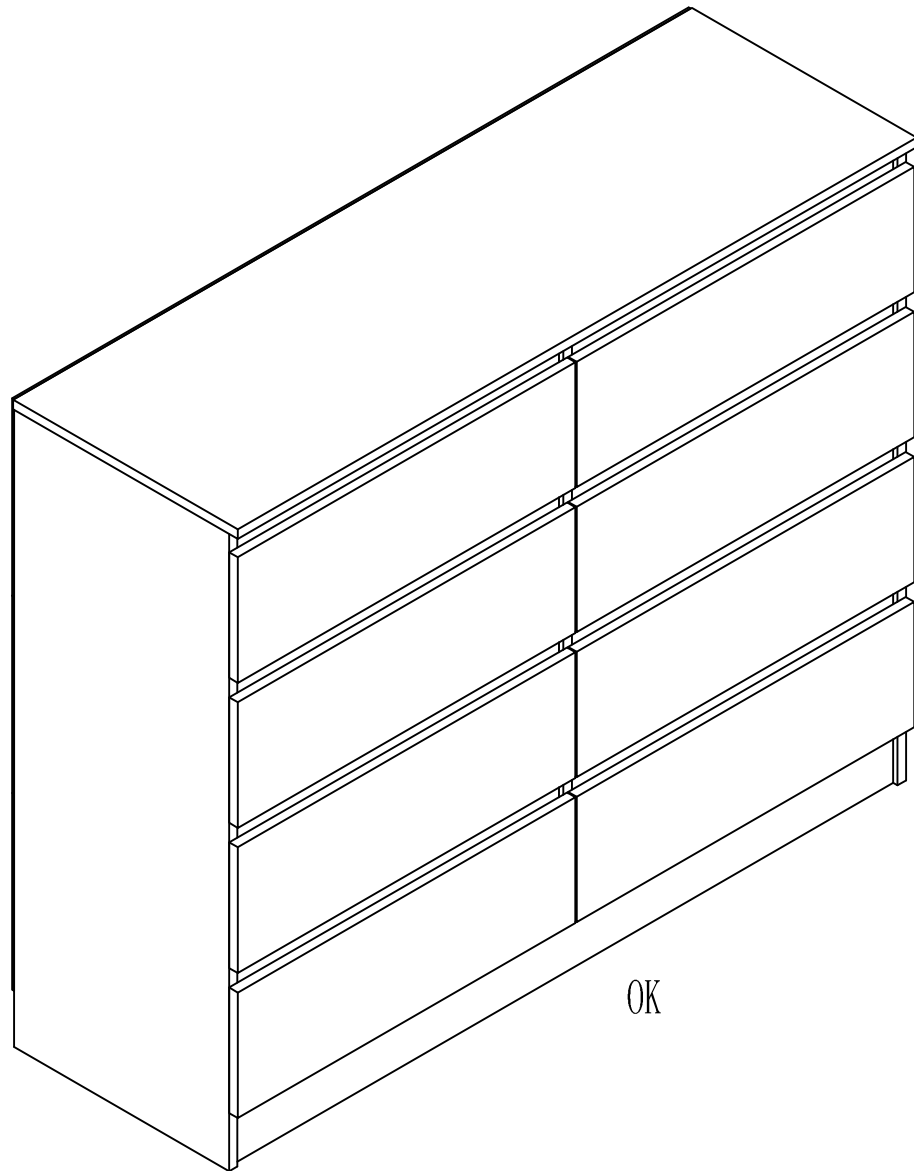
Assembly Instruction

Step 16



Assembly Instruction

Step 17



OK