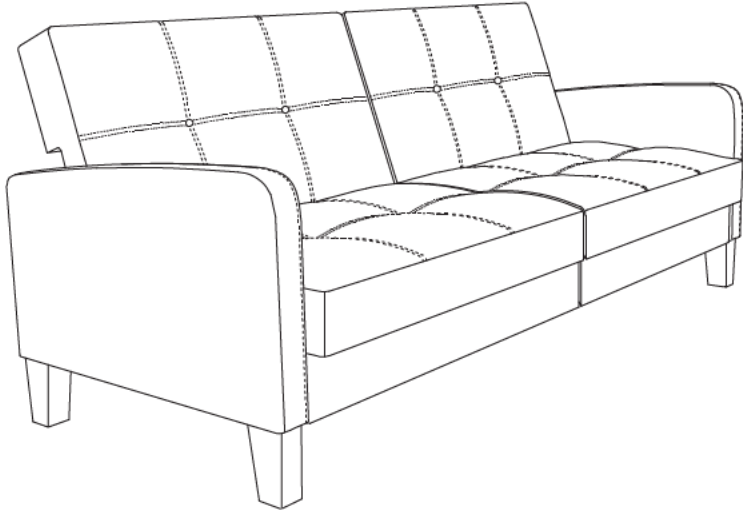


Sofa Bed

Grey

Weight Limit: 600 Lb / 272 Kg



**Thank you for purchasing from Dorel UK!**



**DO NOT RETURN TO THE STORE !**

If parts are missing or damaged, we will gladly ship your replacement parts free of charge.

**Date of Purchase**

Three grey rectangular boxes for entering the date of purchase.

**Lot Number**

One long grey rectangular box for entering the lot number.



**IMPORTANT - READ CAREFULLY - RETAIN FOR FUTURE REFERENCE**

## Warranty Information

UK warrants this product to be free from defects in material and workmanship and agrees to remedy any such defect. This warranty covers one year from the date of original purchase. This is solely limited to the repair or replacement of defective parts and assembly labor is not included.

This warranty does not apply to any product which has been improperly assembled, subjected to misuse or abuse or which has been altered or repaired in any way. Liability for consequential damages is excluded to the extent exclusion is permitted by law. This warranty gives you specific legal rights and you may also have other rights which vary from county to county.

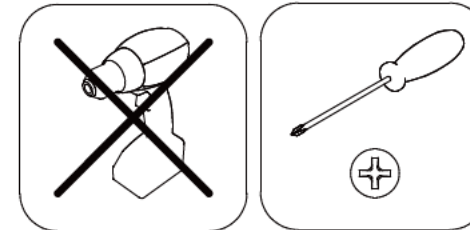
To obtain warranty service, purchaser must present original bill of sale. Components repaired or replaced are warranted through the remainder of the original warranty period only. The defective components will be repaired or replaced without charge, subject to the terms and conditions described above.

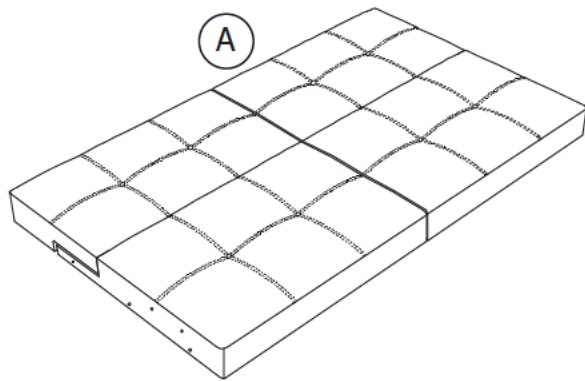
## Read Before Beginning Assembly

- Call our toll free number if you need assistance.
- Work in a spacious area, preferably on a carpet, near where the unit will be used.
- Recommended # of people needed for assembly: 2 (however it is always better to have an extra hand). Estimated assembly time is 30 min.
- Make sure all parts are included. Most parts are labeled or stamped on the raw edge.
- Read each step carefully. It is very important that each step of instruction is performed in the correct order. If these steps are not followed in sequence, assembly difficulties will occur.

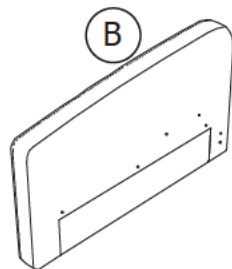
## Caution

- This product is designed for home use and not intended for commercial use.
- This product contains small components. Please ensure that they are kept away from small children.
- Do not use power tools to assemble your furniture. Power tools may strip or damage the parts.
- You will need a phillips headed screwdriver to assemble this product.

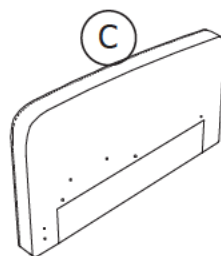




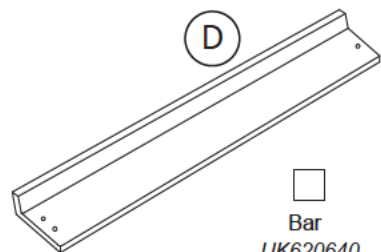
Seat  
X 1



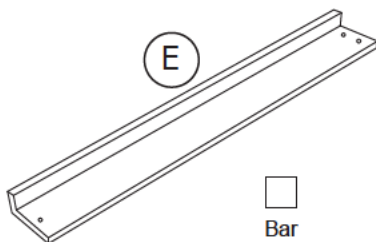
Arm  
UK620620  
X 1



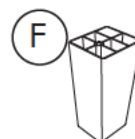
Arm  
UK620630  
X 1



Bar  
UK620640  
X 1



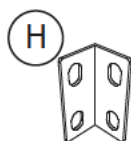
Bar  
UK620650  
X 1



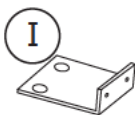
Leg  
T614730  
X 4



Middle Leg  
T620660  
X 2



Bracket  
T620670  
X 2



Bracket  
T620680  
X 1



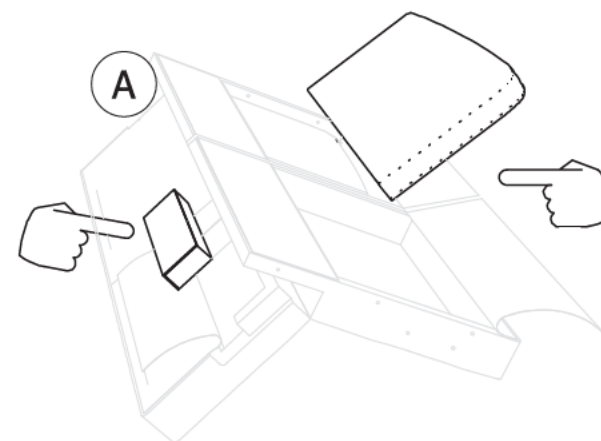
All in 1 big box!



There are inner box(es) that include components required to complete this assembly.

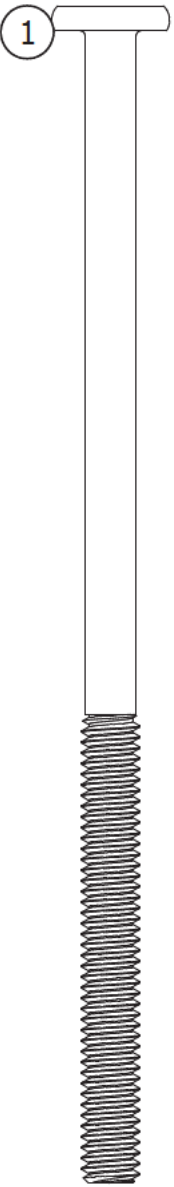


Before you throw away the package, please use the Check Box to identify the parts and ensure that you have all the parts needed for the assembly.



Some parts will be found in the compartment under the Seat as shown.

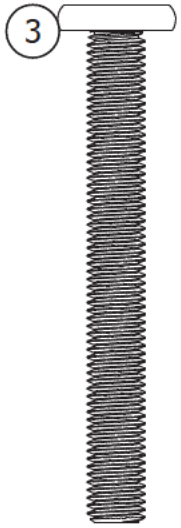
# Hardware Pack



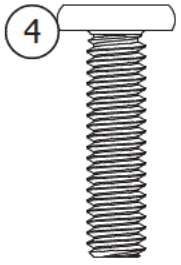
5/16" X 6"  
X 4



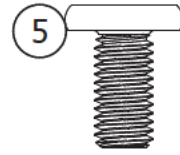
5/16" X 3 3/8"  
X 8



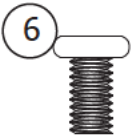
5/16" X 2 9/16"  
X 2



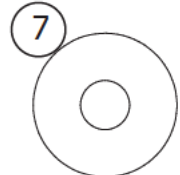
5/16" X 1 3/16"  
X 4



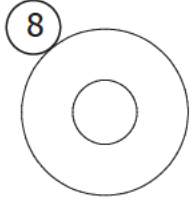
5/16" X 9/16"  
X 6



M6x10mm  
X 8



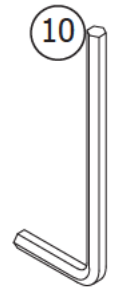
19mm  
X 8



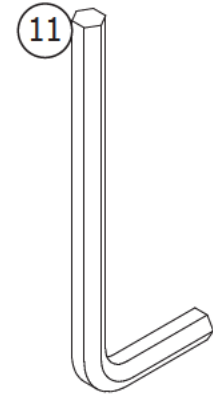
22mm  
X 10



4 X 30mm  
X 2



4mm  
X 1



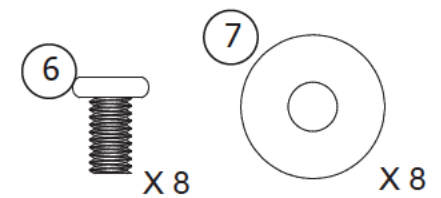
5mm  
X 1



**Hardware Note:**  
Please do not completely tighten all the hardware, until the entire assembly is complete, unless indicated otherwise in the step-by-step instructions.

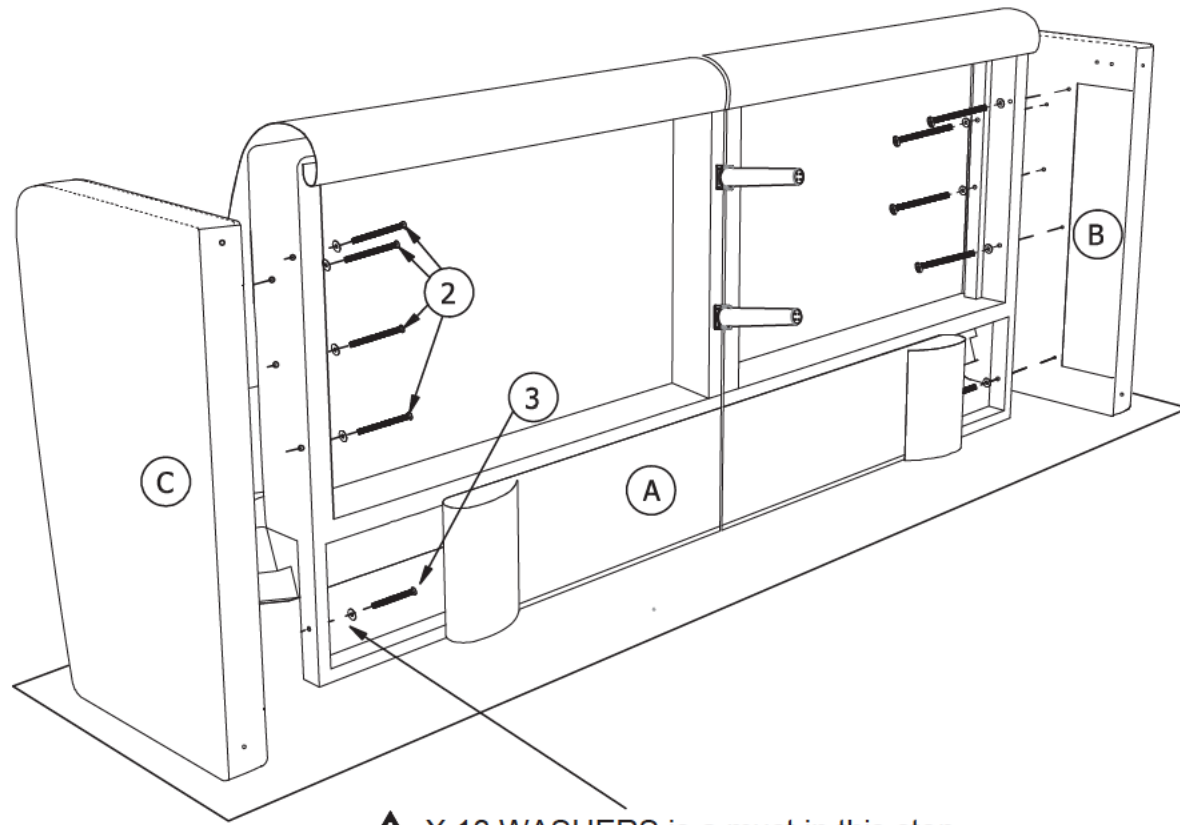
# Step 1

Attach **G** to **A** with **6** and **7** as shown.

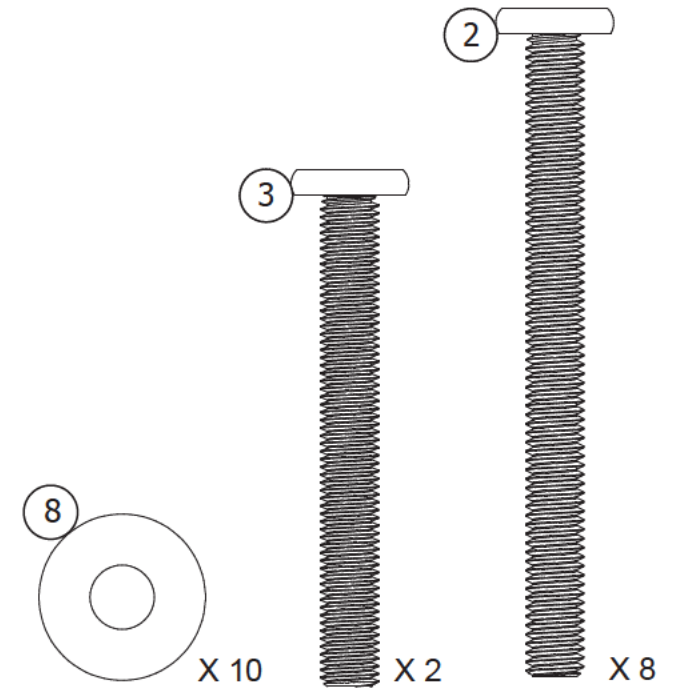


# Step 2

Attach **B** & **C** to **A** with **2**, **3** and **8** as shown.



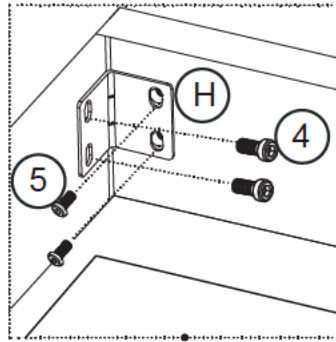
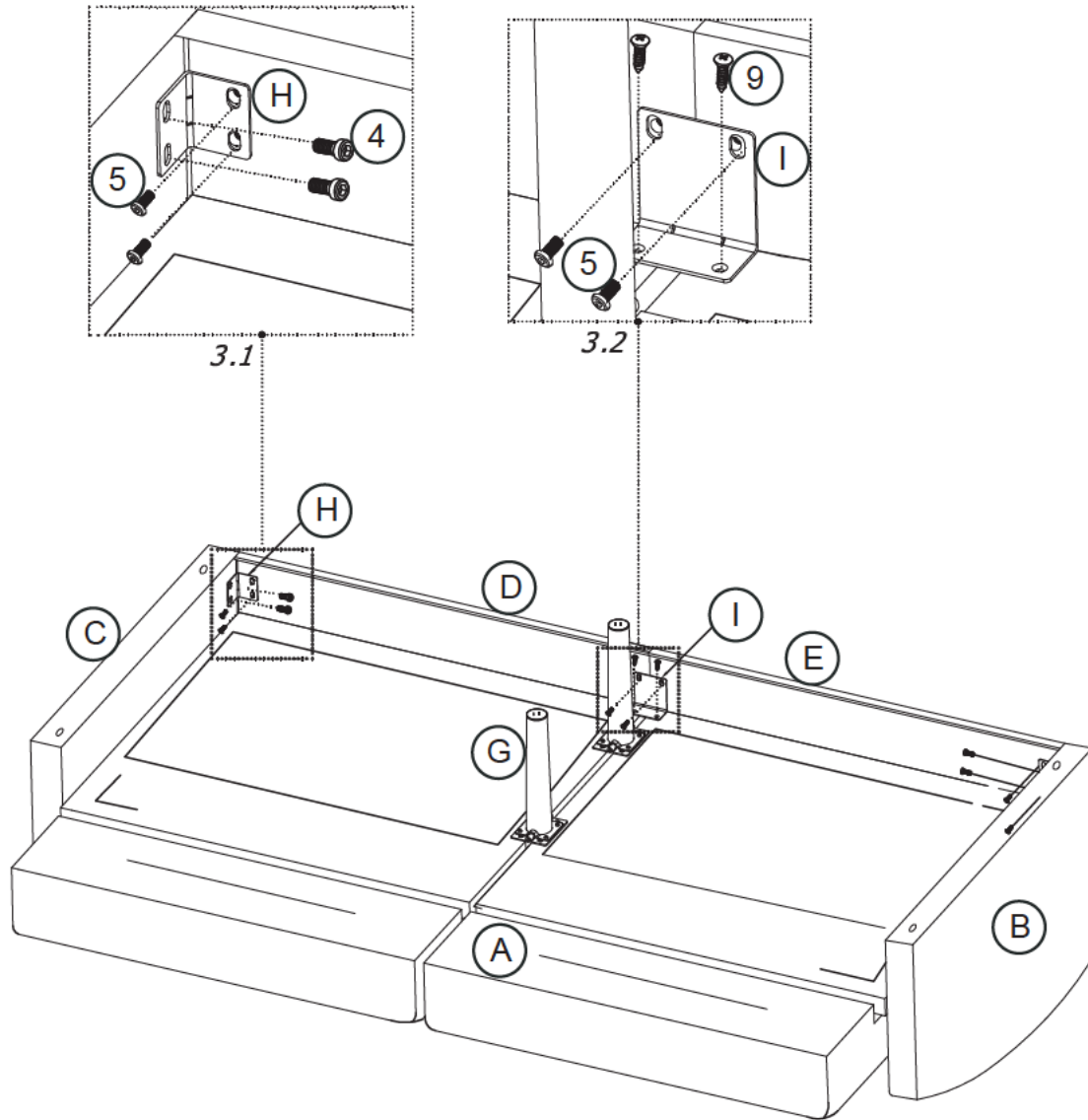
**!** X 10 WASHERS is a must in this step.



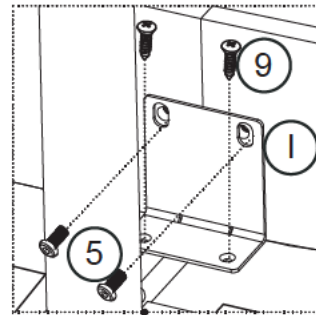
# Step 3

3.1 Attach H to B,C,D&E with 4 and 5 as shown.

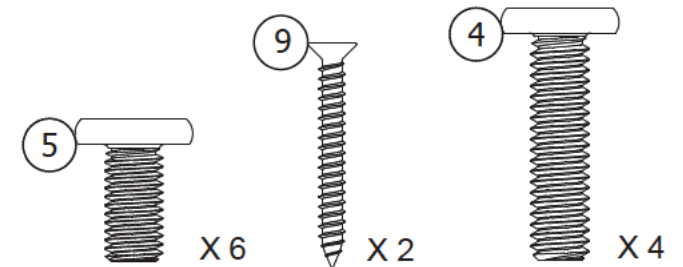
3.2 Attach I to A,D&E with 5 and 9 as shown.



3.1

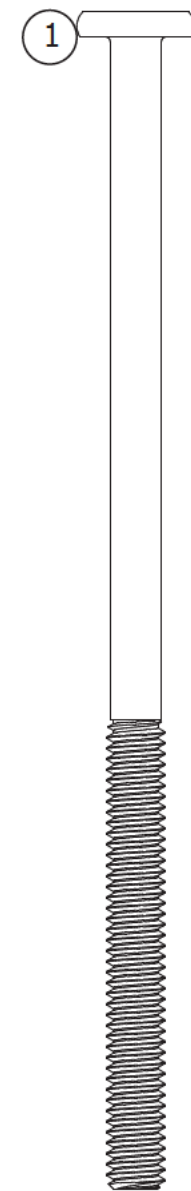
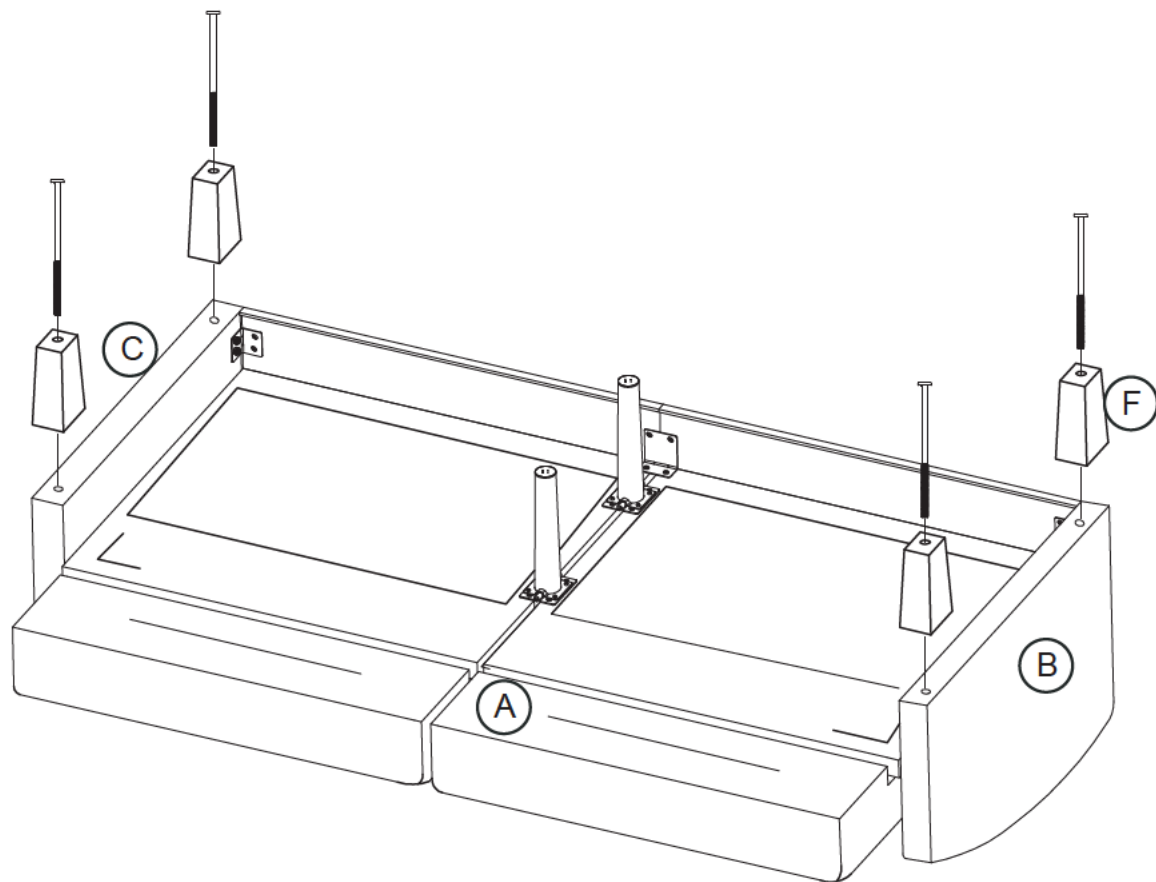


3.2




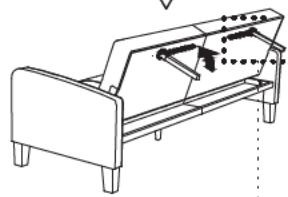
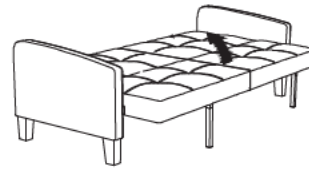
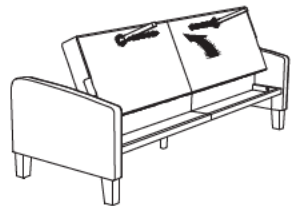
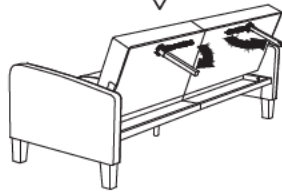
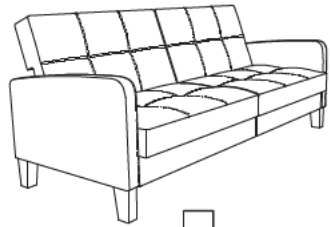
# Step 4


Attach F to B&C with 1 as shown.

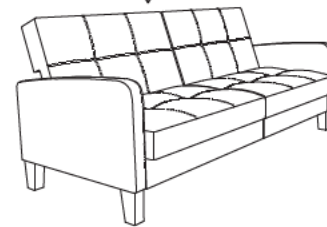
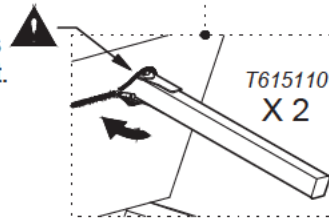


X 4

 Weight Limits: 600 Lbs / 272 Kgs



Open the Zipper and push this  button before you fold it.



## Helpful Hints

- Move your new furniture carefully, with two people lifting and carrying the unit to its new location.
- Your furniture can be disassembled and reassembled to move.
- Clean the product with a soft damp cloth. DO NOT use harsh chemicals or abrasive cleaners.
- Some parts have been pre-assembled for this item. They are illustrated on this page and available for replacement.