

ASSEMBLY INSTRUCTIONS



Fine Furniture for every stage of life

(B1&B2)
Dining Table

REVISION 0: 08/31/2020
REVISION 1: 08/07/2024
REVISION 2 : 10/23/2025

ASSEMBLY INSTRUCTIONS

ASSEMBLY TIPS:

1. Remove hardware from box and sort by size.
2. Please check to see that all hardware and parts are present prior to start of assembly.
3. Please follow attached instructions in the same sequence as numbered to assure fast & easy assembly.



WARNING!

1. Don't attempt to repair or modify parts that are broken or defective. Please contact the store immediately.
2. This product is for home use only and not intended for commercial establishments.

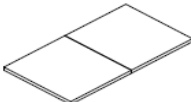
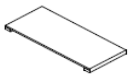




ASSEMBLY TIME

15 MINUTES

PARTS IDENTIFICATION

B1 (BOX 1)





AN	TOP		1PC
BN	LEAF		1PC
CN	LOWER CROSSBAR		1PC
DN	UPPER CROSSBAR		1PC

B2 (BOX 2)

EN	LEG FRAME		2PCS
----	-----------	-------------------------------------------------------------------------------------	------

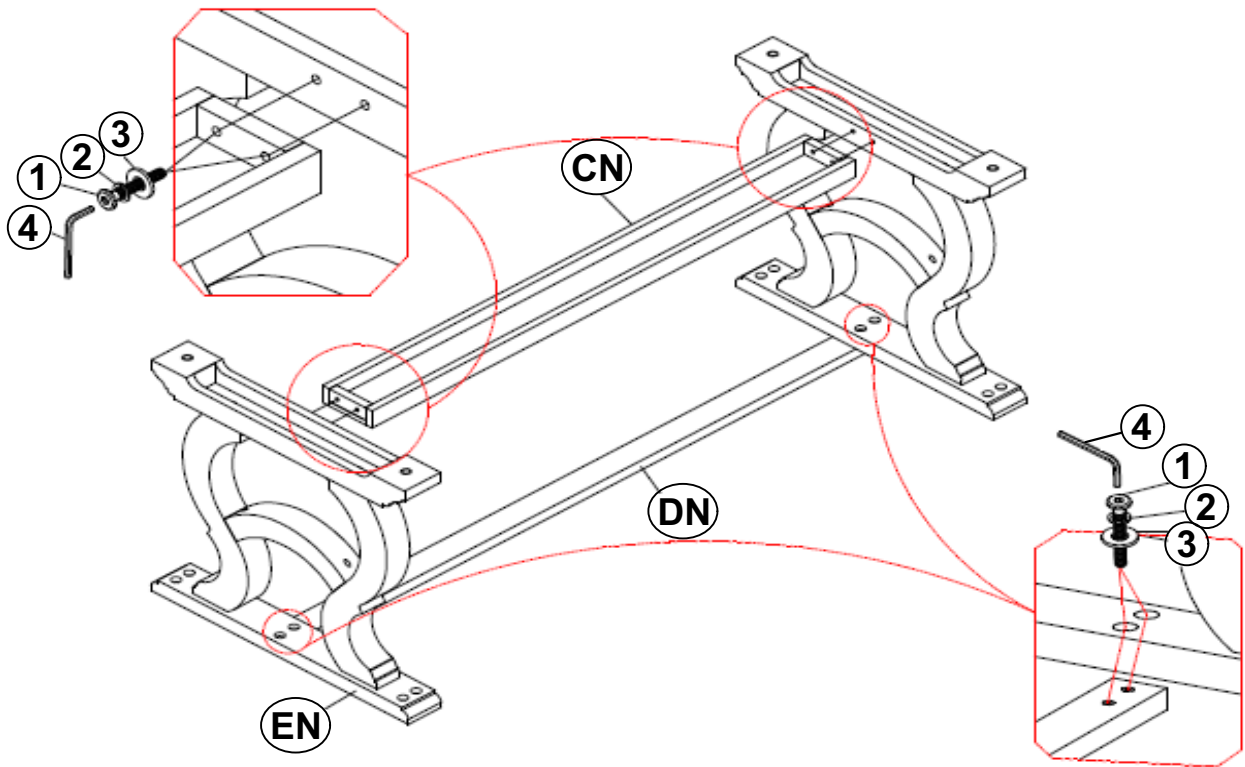
HARDWARE IDENTIFICATION

B1 (BOX 1) - HARDWARE PACK IS LOCATED IN (B1)

1	BOLT (Ø5/16 x 13 x 45mm - RBW)		16PCS
2	LOCK WASHER (Ø5/16 x 10 x 1.1mm - RBW)		16PCS
3	FLAT WASHER (Ø5/16 x 22 x 2mm - RBW)		16PCS
4	ALLEN WRENCH (4 x 60mm - RBW)		1PC

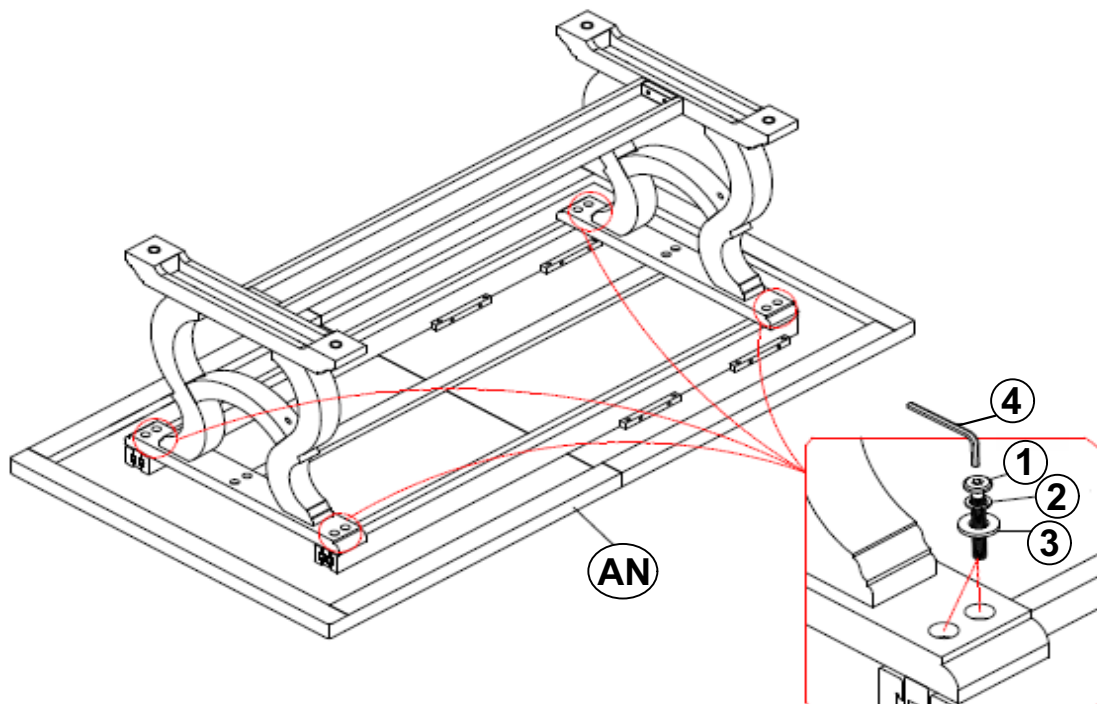
ASSEMBLY INSTRUCTIONS

STEP 1



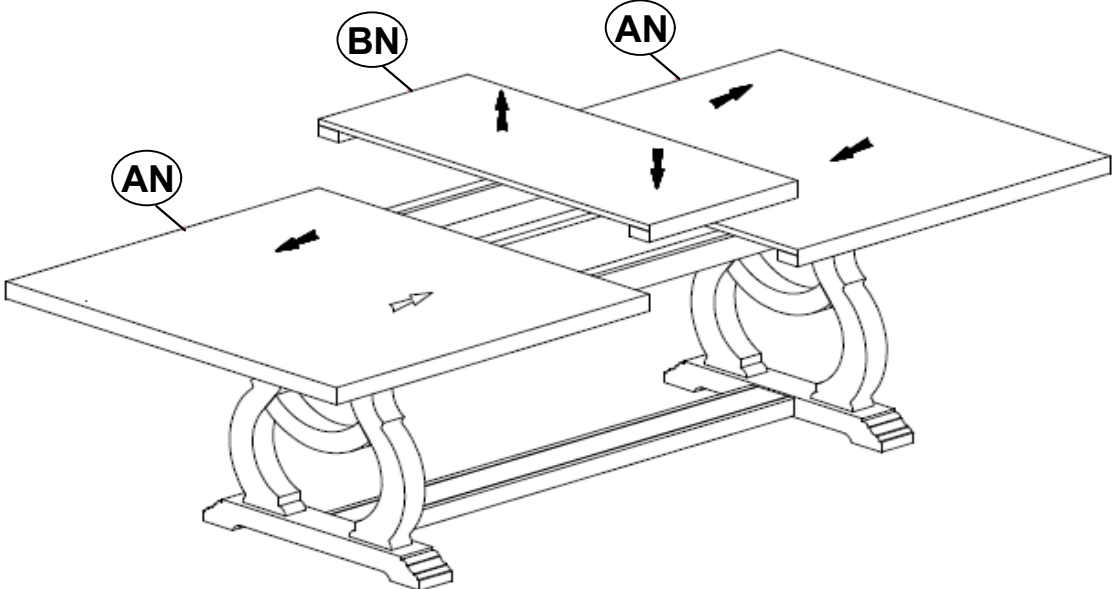
BOTTOM VIEW

STEP 2

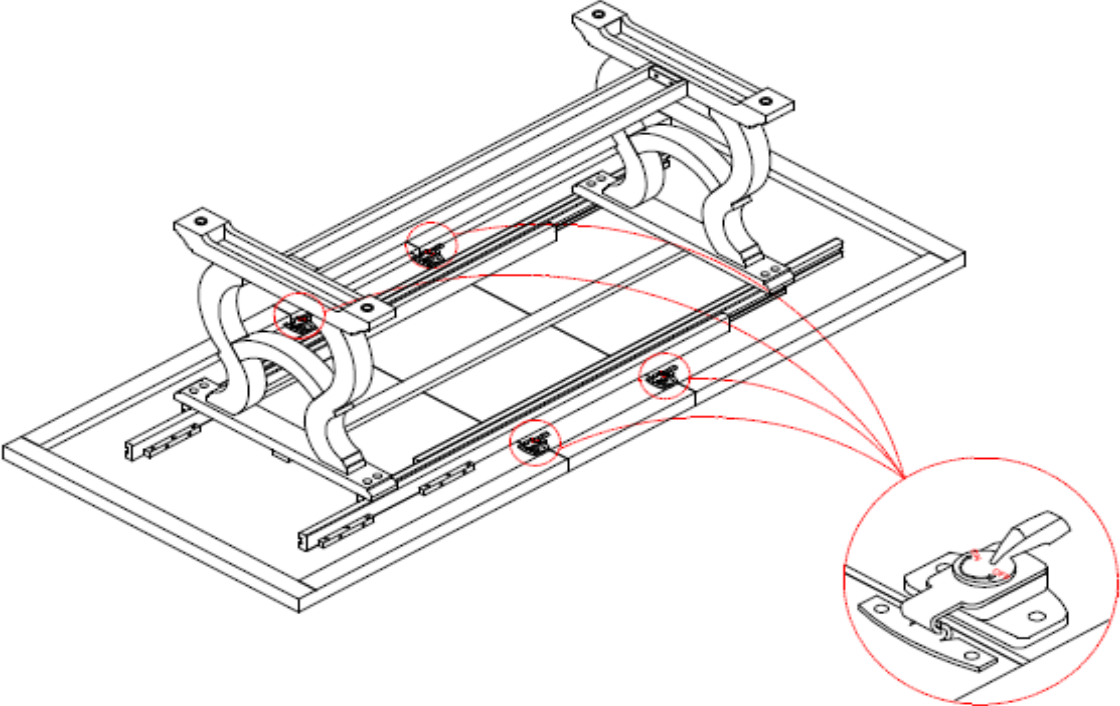


ASSEMBLY INSTRUCTIONS

STEP 3

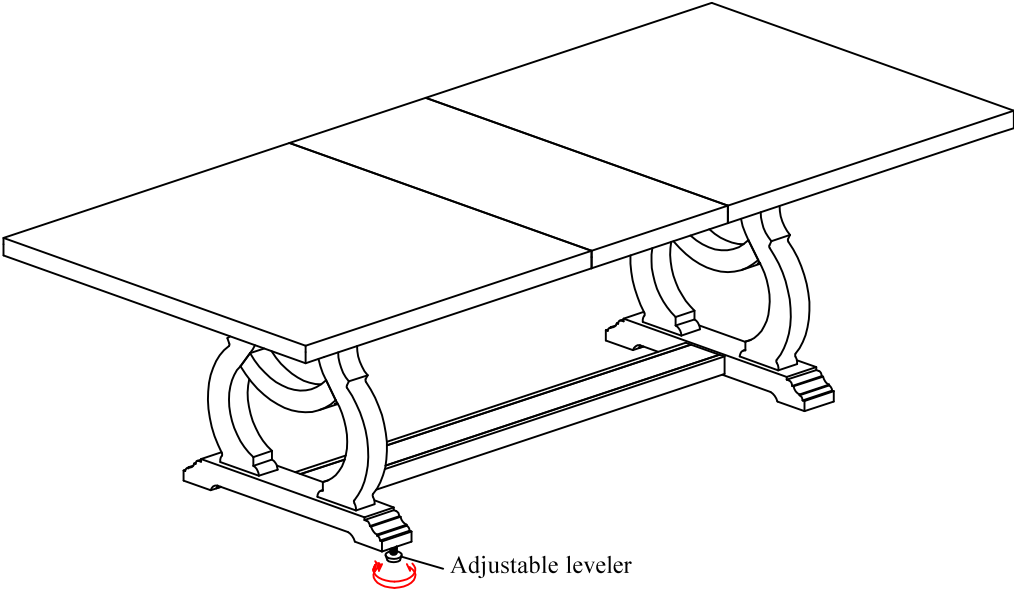


STEP 4

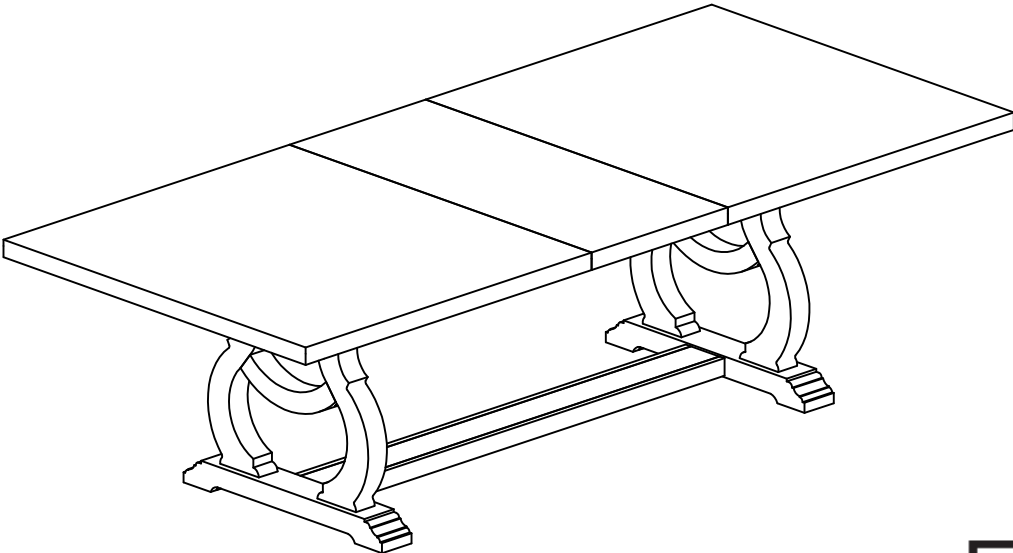


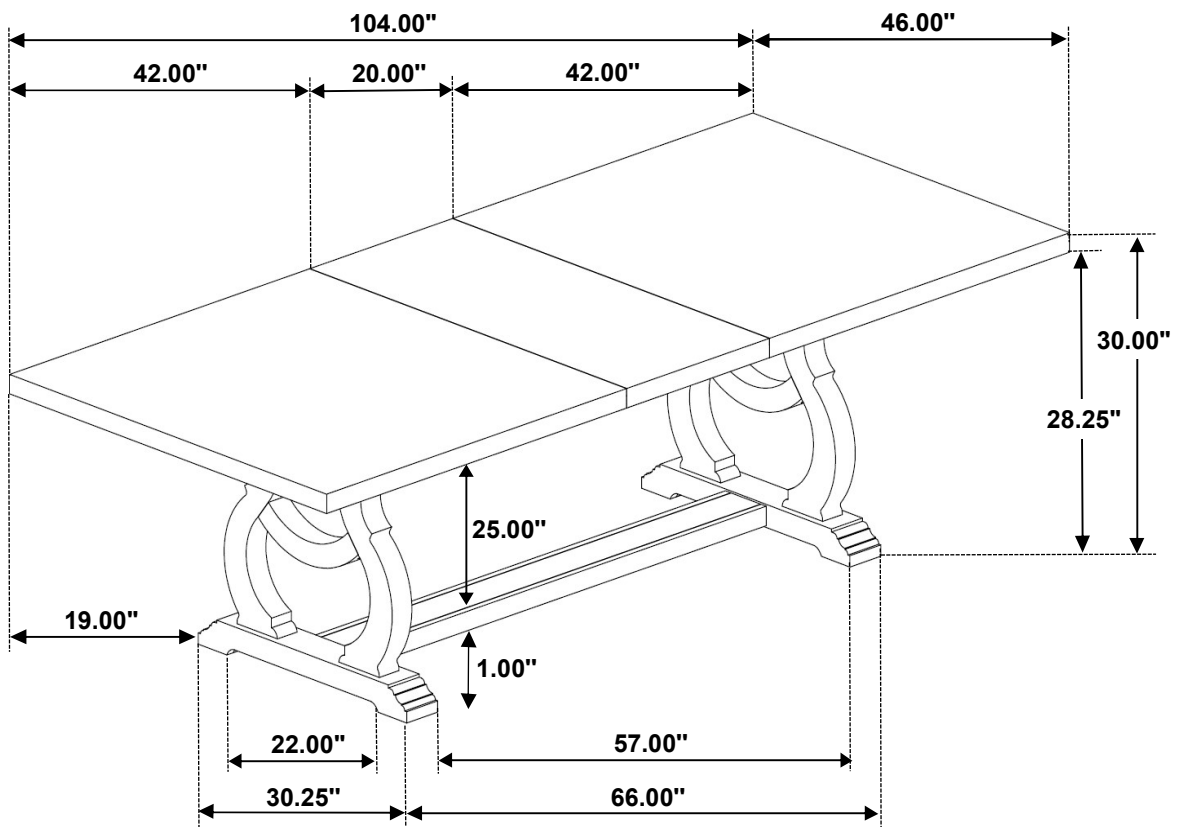
ASSEMBLY INSTRUCTIONS

STEP 5



STEP 6 COMPLETE





Note: Dimension tolerance $\pm 5\%$

ASSEMBLY INSTRUCTIONS



Fine Furniture for every stage of life

Side Chair

ASSEMBLY INSTRUCTIONS

ASSEMBLY TIPS:

1. Remove hardware from box and sort by size.
2. Please check to see that all hardware and parts are present prior to start of assembly.
3. Please follow attached instructions in the same sequence as numbered to assure fast & easy assembly.



WARNING!


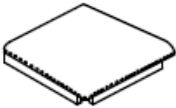

1. Don't attempt to repair or modify parts that are broken or defective. Please contact the store immediately.
2. This product is for home use only and not intended for commercial establishments.









ASSEMBLY TIME

15 MINUTES

PARTS IDENTIFICATION

AN	BACK FRAME		1PC
BN	SEAT CUSHION WITH FRAME		1PC
CN	FRONT LEG		2PCS

HARDWARE IDENTIFICATION

1	LONG BOLT (Ø1/4 x 13 x 75mm - RBW)		4PCS
2	MEDIUM BOLT (Ø1/4 x 13 x 63mm - RBW)		4PCS
3	SHORT BOLT (Ø1/4 x 13 x 38mm - RBW)		2PCS
4	LOCK WASHER (Ø1/4 x 10 x 1.1mm - RBW)		10PCS
5	FLAT WASHER (Ø1/4 x 22 x 2mm - RBW)		10PCS
6	ALLEN WRENCH (4 x 60mm - RBW)		1PC

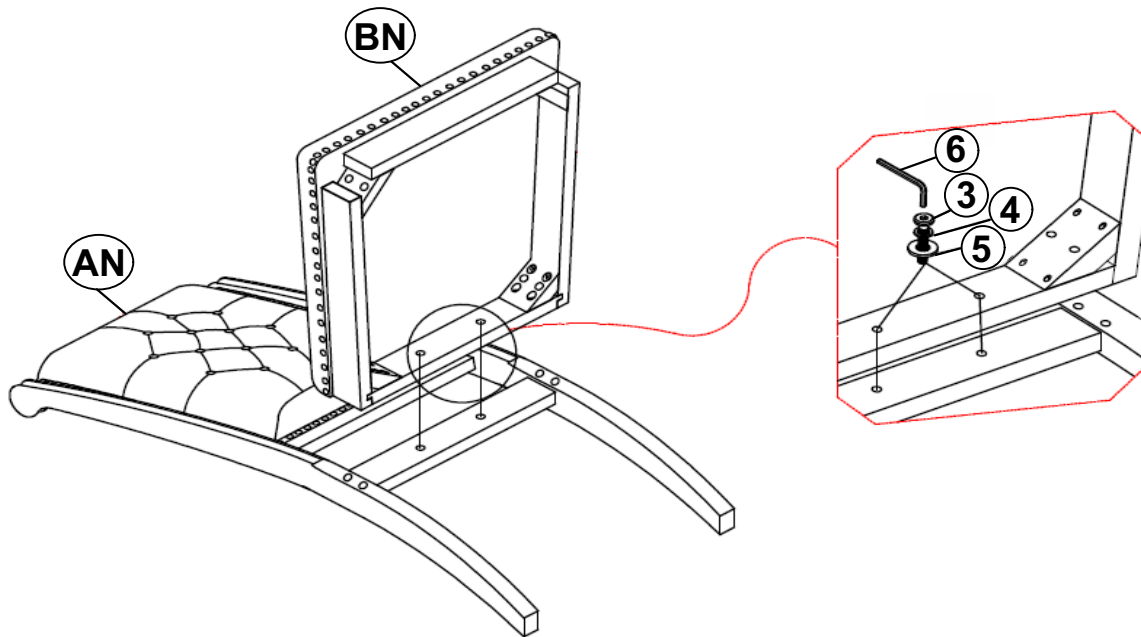
NOTE:

Quantities shown are for one chair.

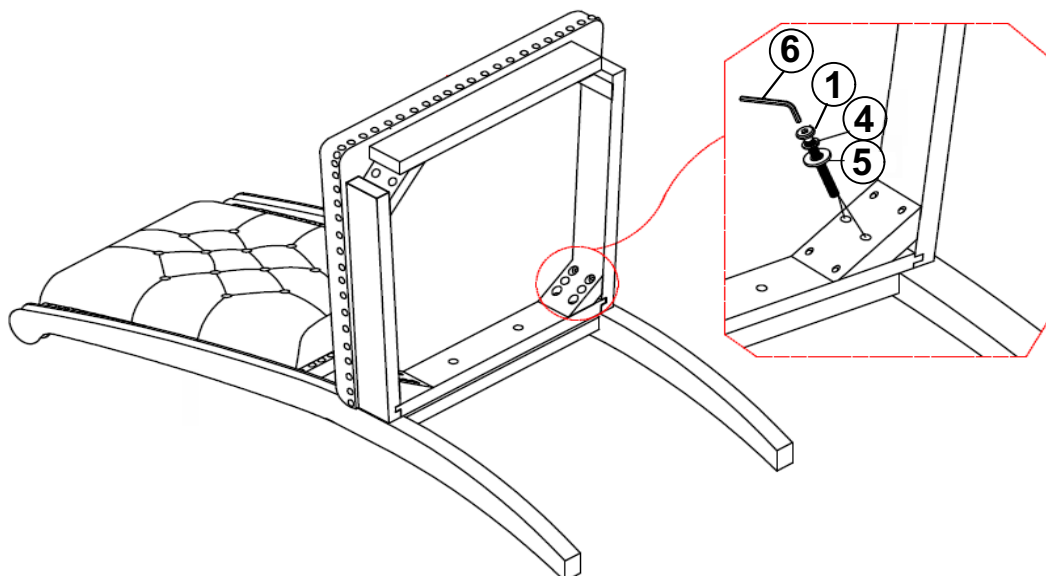
Phillips head screw driver is required in the assembly process; however, manufacturer does not provide this item.

ASSEMBLY INSTRUCTIONS

STEP 1

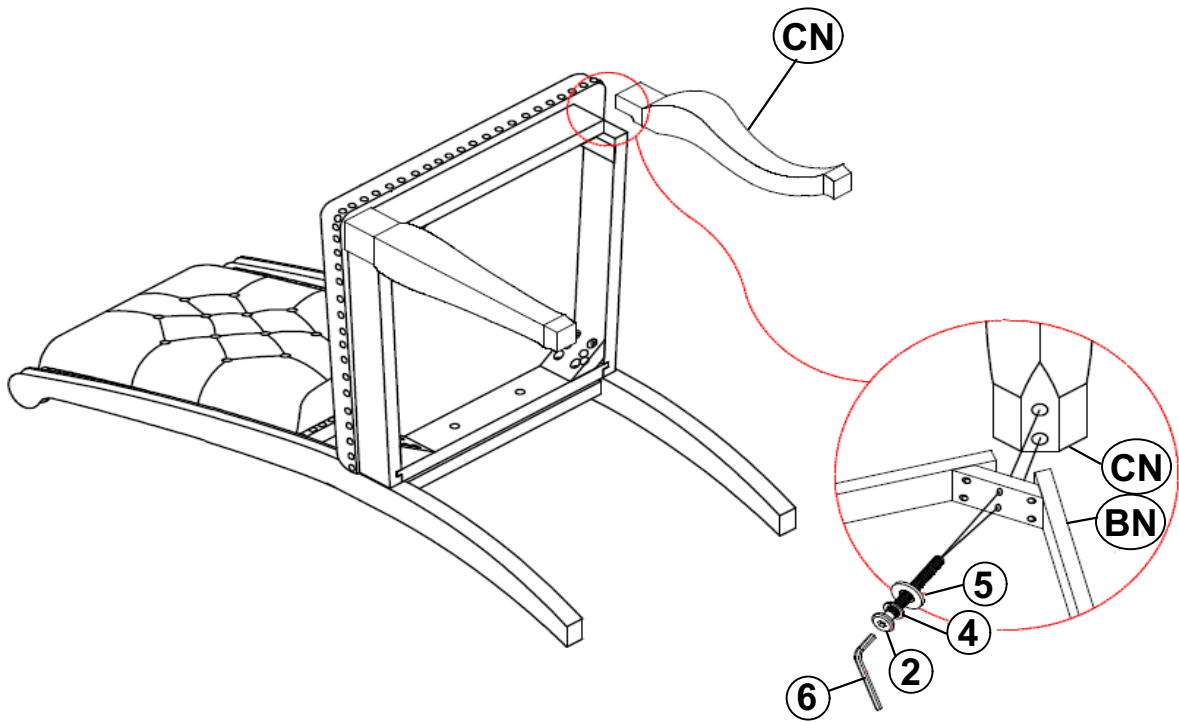


STEP 2

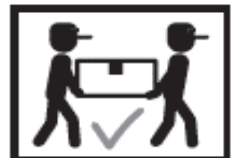
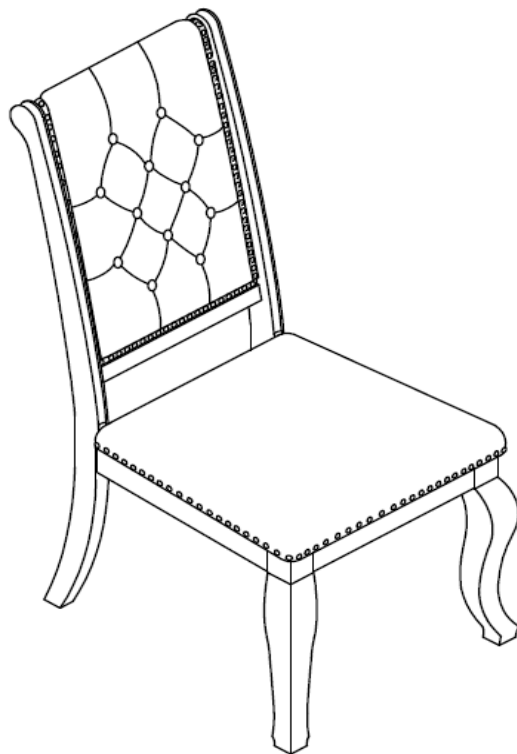


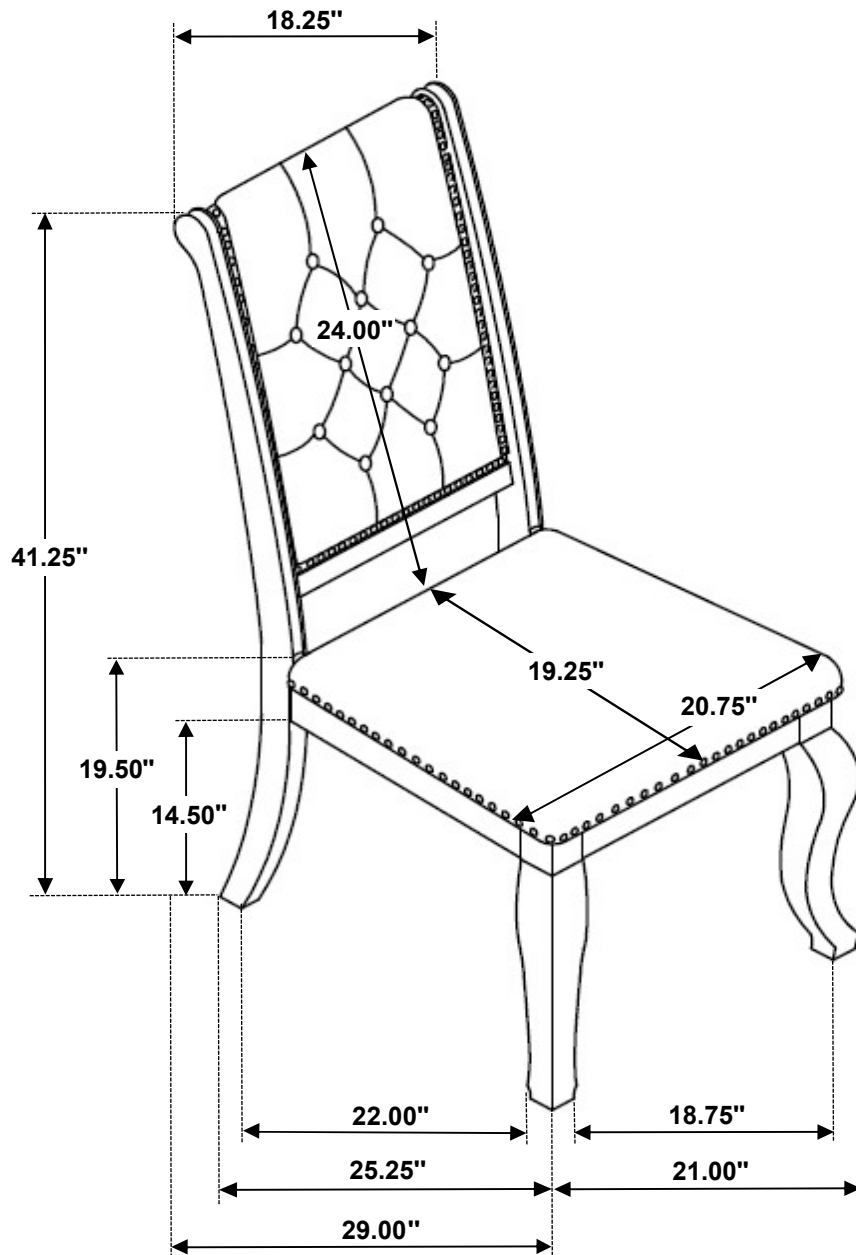
ASSEMBLY INSTRUCTIONS

STEP 3



STEP 4 COMPLETE





Note: Dimension tolerance $\pm 5\%$

ASSEMBLY INSTRUCTIONS



Fine Furniture for every stage of life

Arm Chair

REVISION 0 : 08/31/2020
REVISION 1 : 10/23/2025

PAGE 1 OF 3

ASSEMBLY INSTRUCTIONS

ASSEMBLY TIPS:

1. Remove hardware from box and sort by size.
2. Please check to see that all hardware and parts are present prior to start of assembly.
3. Please follow attached instructions in the same sequence as numbered to assure fast & easy assembly.



WARNING!

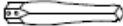
1. Don't attempt to repair or modify parts that are broken or defective. Please contact the store immediately.
2. This product is for home use only and not intended for commercial establishments.







ASSEMBLY TIME

15 MINUTES

PARTS IDENTIFICATION

AN	SEAT AND BACK		1PC
BN	LEFT BACK LEG		1PC
CN	RIGHT BACK LEG		1PC
DN	FRONT LEG		2PCS

HARDWARE IDENTIFICATION

1	BOLT (Ø1/4 x 13 x 63mm - RBW)		8PCS
2	LOCK WASHER (Ø1/4 x 10 x 1.1mm - RBW)		8PCS
3	FLAT WASHER (Ø1/4 x 2 x 22mm - RBW)		8PCS
4	ALLEN WRENCH (4 x 60mm - RBW)		1PC

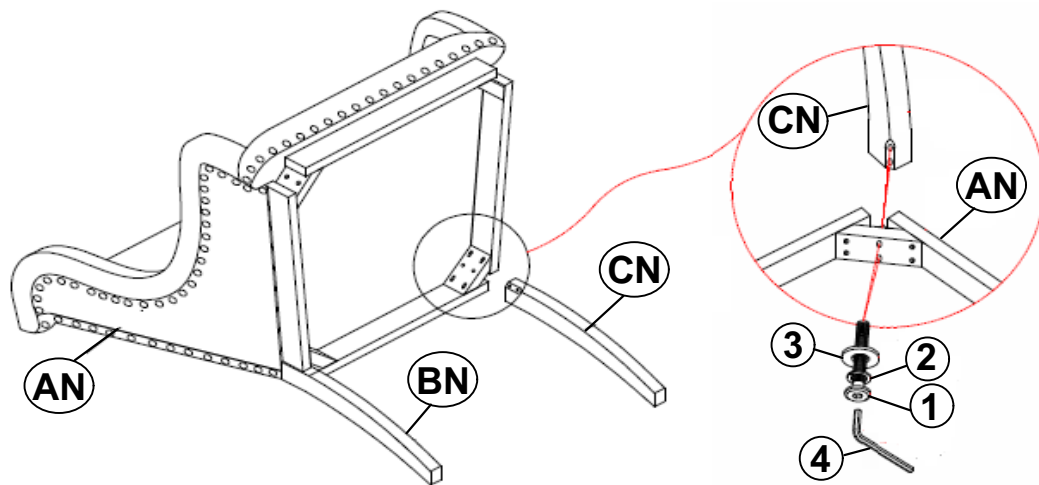
NOTE:

Quantities shown are for one chair.

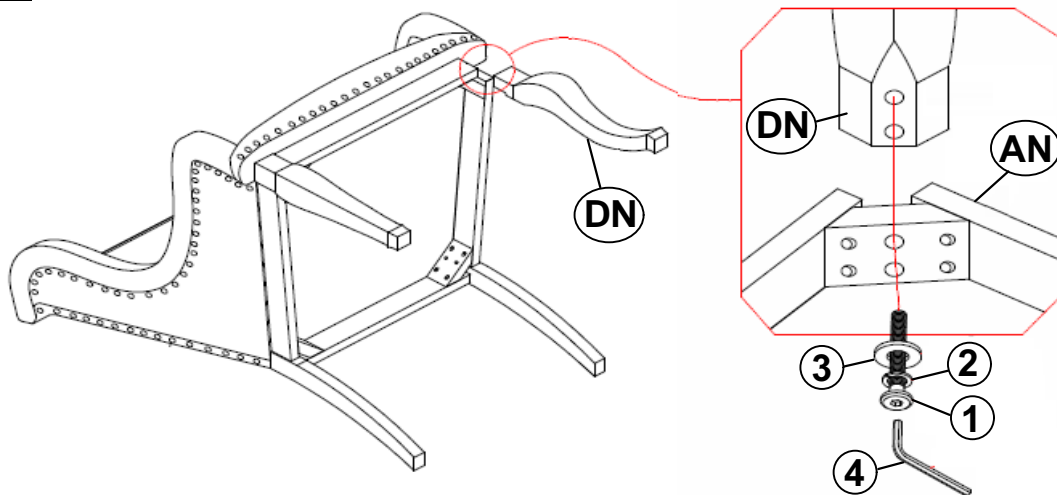
Phillips head screw driver is required in the assembly process; however, manufacturer does not provide this item.

ASSEMBLY INSTRUCTIONS

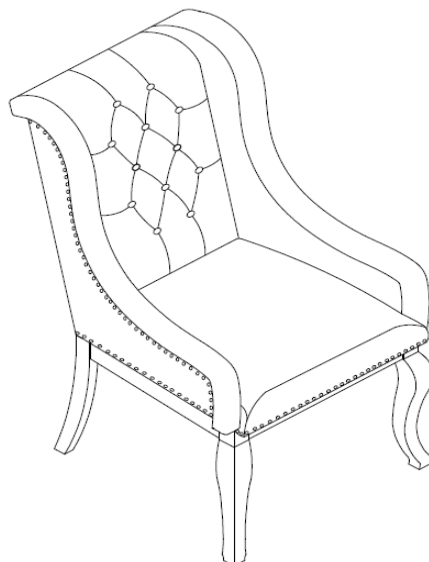
STEP 1

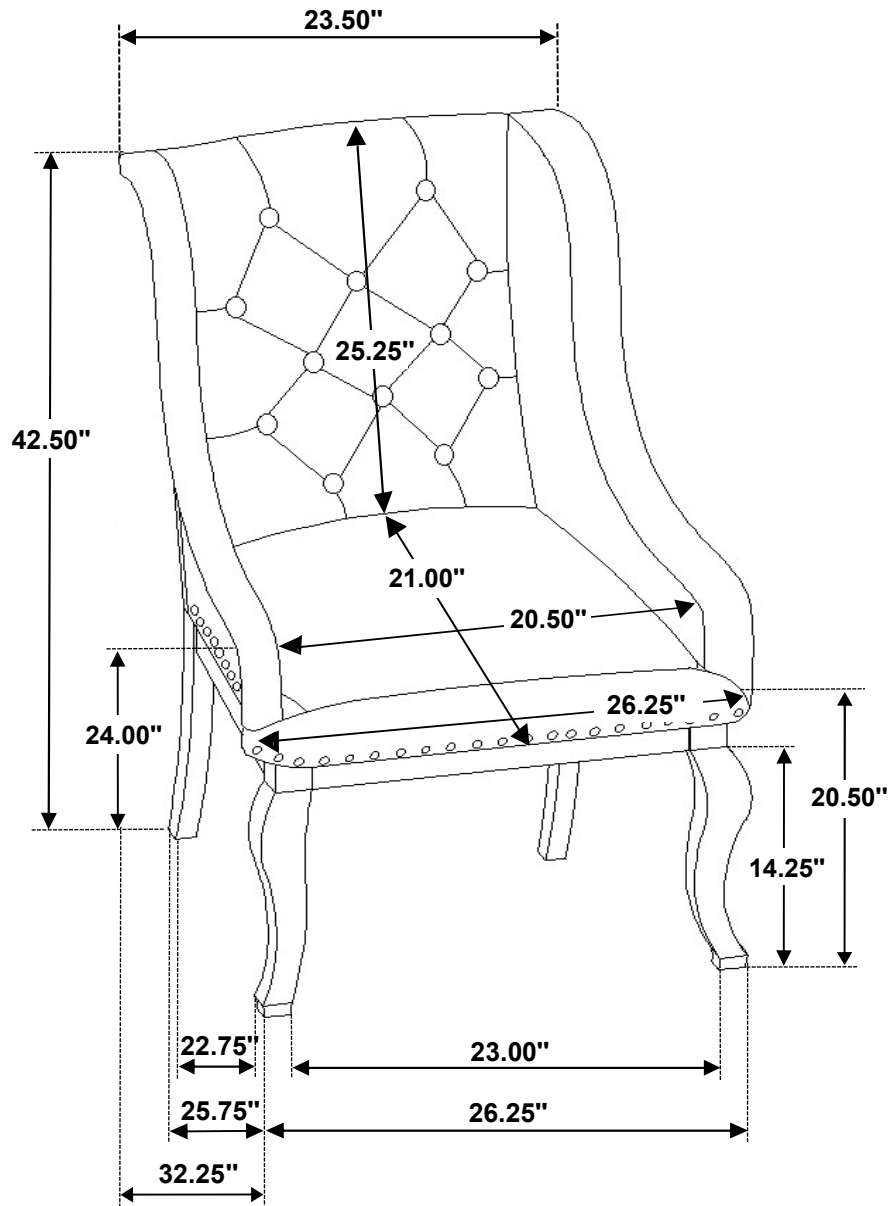


STEP 2



STEP 3 **COMPLETE**





Note: Dimension tolerance $\pm 5\%$