

**CARE AND MAINTENANCE**

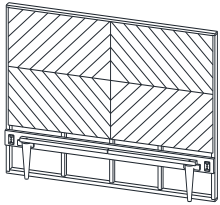
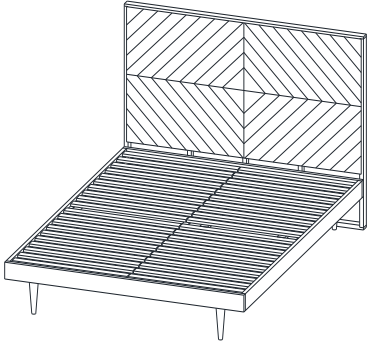

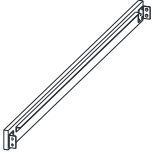
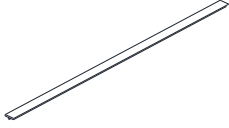
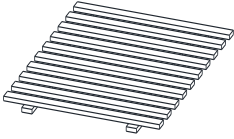
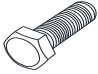

Spot clean using a mild water-free solvent. Only a professional cleaner should undertake a complete overall cleaning.  
The use of steam or water-based cleaners may cause excessive shrinking or staining.

**SAFAVIEH**  
COUTURE

**NOTICE**

- \* Please make sure that you have all parts indicated before you begin assembly of this item
- \* This item should be assembled on a soft surface to prevent scratching the finish during assembly
- \* This item may require periodic tightening

**Part List and Hardware List**

| PIECE | DESCRIPTION      | PICTURE   | QUANTITY |   |
|-------|------------------|---|----------|---|
| A     | HEADBOARD        |    | 1X       | <p>Item# SFV5705A-K<br/>Product dimensions: Mattress 72"W*x80"D*</p>  <p>Weight Capacity: 250bs<br/>WARNING : DO NOT STAND ON BED<br/>WARNING : DO NOT OVER TORQUE BOLTS/SCREWS</p> |
| B     | FOOTBOARD        |    | 1X       |   |
| C     | SIDE RAIL        |    | 2X       |   |
| D     | MID RAIL         |   | 1X       |   |
| E     | SLAT             |  | 4X       |   |
| H1    | HEX BOLT 20x8 mm |  | 8X       |   |
| H2    | SPANNER 16-17    |  | 12X      |   |

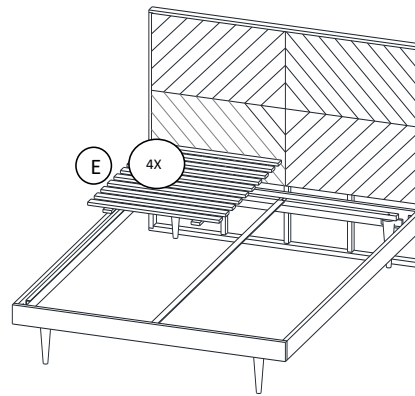
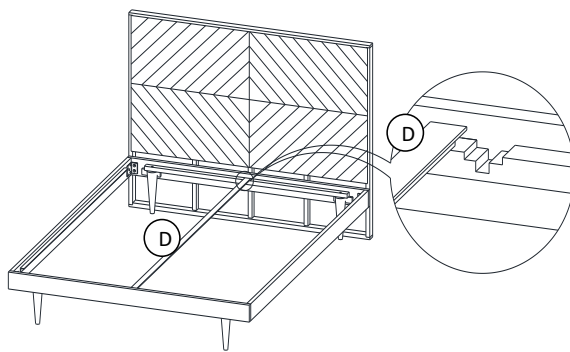
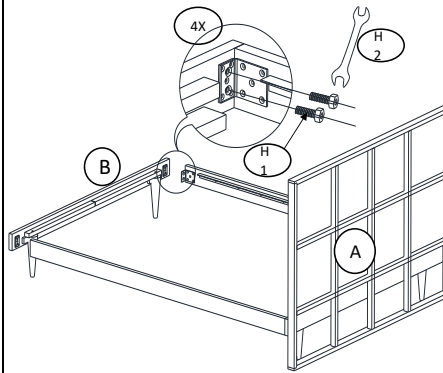
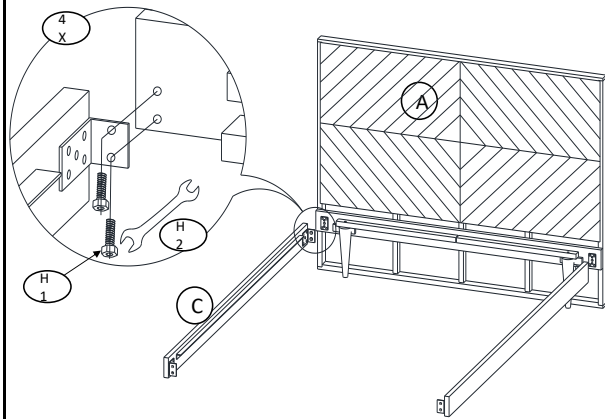
## PREPARATION

Before beginning assembly of product, make sure all parts are present. Compare parts with package contents list and hardware contents list.

If any part is missing or damaged, do not attempt to assemble the product.

Estimated Assembly Time: 20 minutes.

Tools Required for Assembly (included): Spanner



**STEP1** -Align side rail (C) with Headboard (A) as shown,then insert Bolt (H1) and tighten with Spanner (H2). Repeat the same process for other side

**STEP2:** Align side rail (C) with Footboard (B) as shown,then insert Bolt (H1) and tighten with Spanner (H2). Repeat the same process for other side

**STEP3:** Place Mid Rail (D) in the Slot of Headboard & Footboard.

**STEP4:** Place Slat (E) Gently.