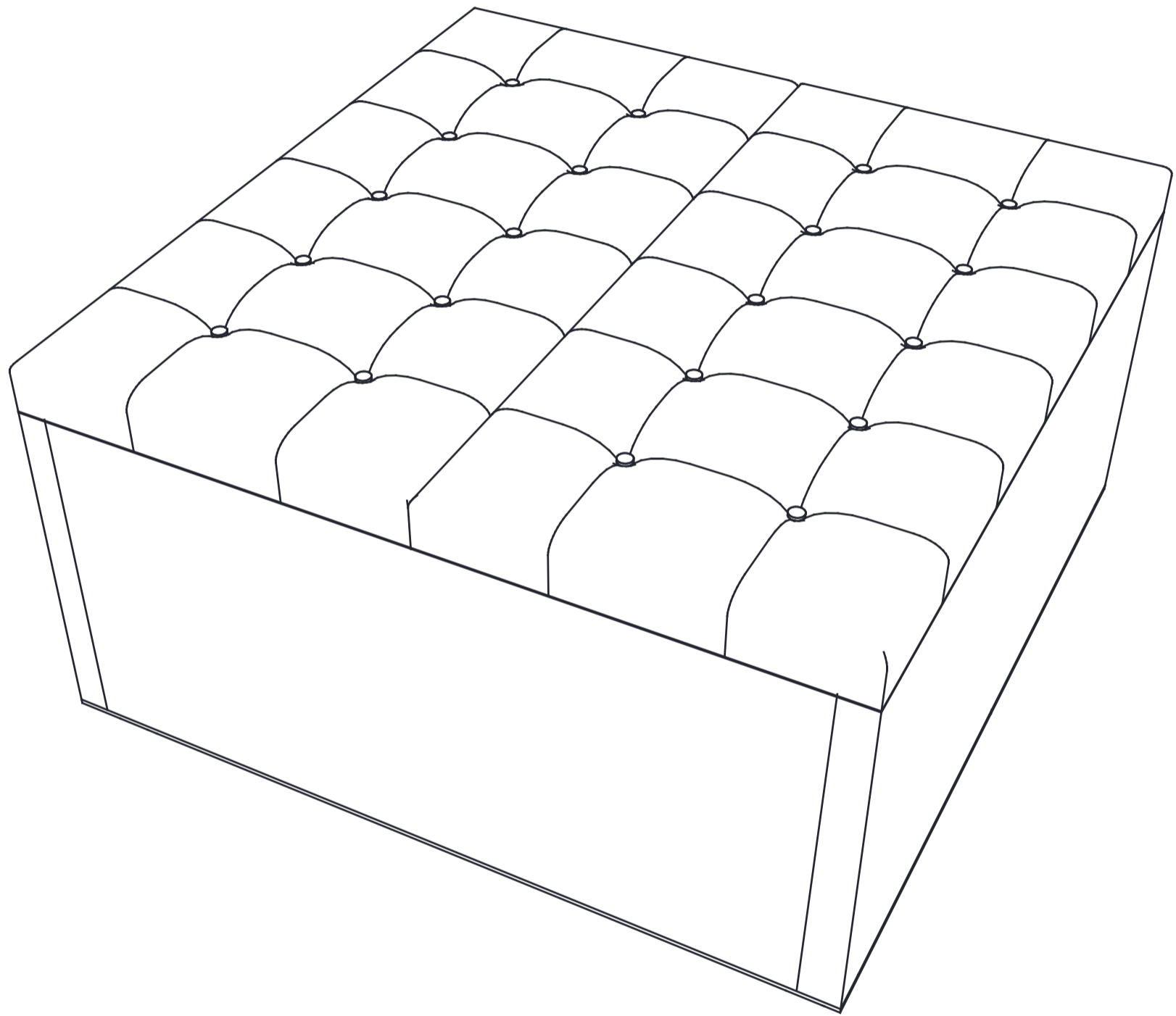


ASSEMBLY INSTRUCTIONS



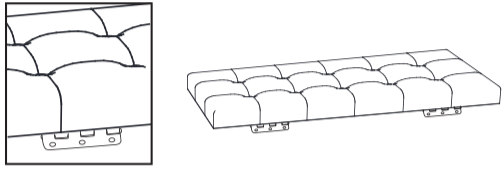
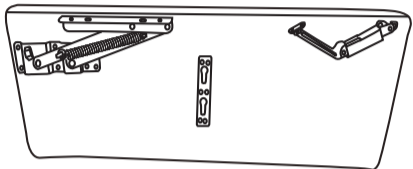
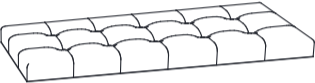
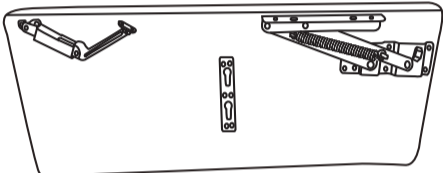


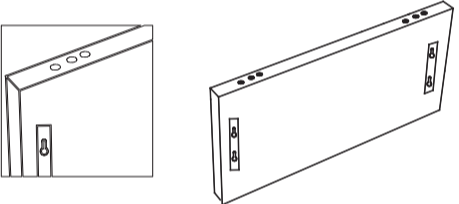

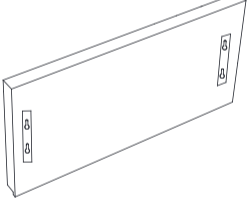

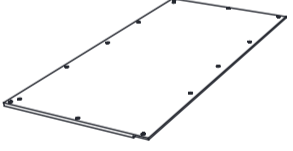
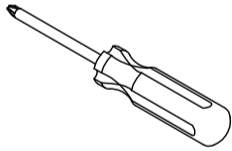
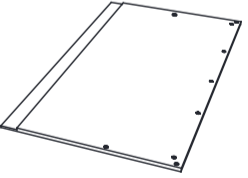

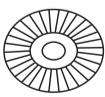
STORAGE OTTOMAN/COFFEE TABLE

ASSEMBLY INSTRUCTIONS

"IMPORTANT, RETAIN FOR FUTURE REFERENCE: READ CAREFULLY"

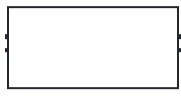


1. Confirm all parts are present prior to assembly.
2. Assemble on a flat, clean and soft surface.
3. Do not fully tighten screws until all parts are assembled.

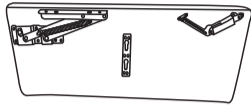
Item no.	Reference Image	Qty.	Item no.	Reference Image	Qty.
A1		X1	C1		X1
A2		X1	C2		X1
B		X1	I		X8
D1		X1	J		X18
D2		X1	K		X19
E		X1	L		X1
F		X1			
G		X4			
H		X4			

ASSEMBLY INSTRUCTIONS

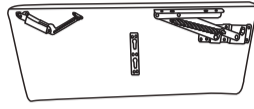
1



ⓑ1pc



ⓒ11pc



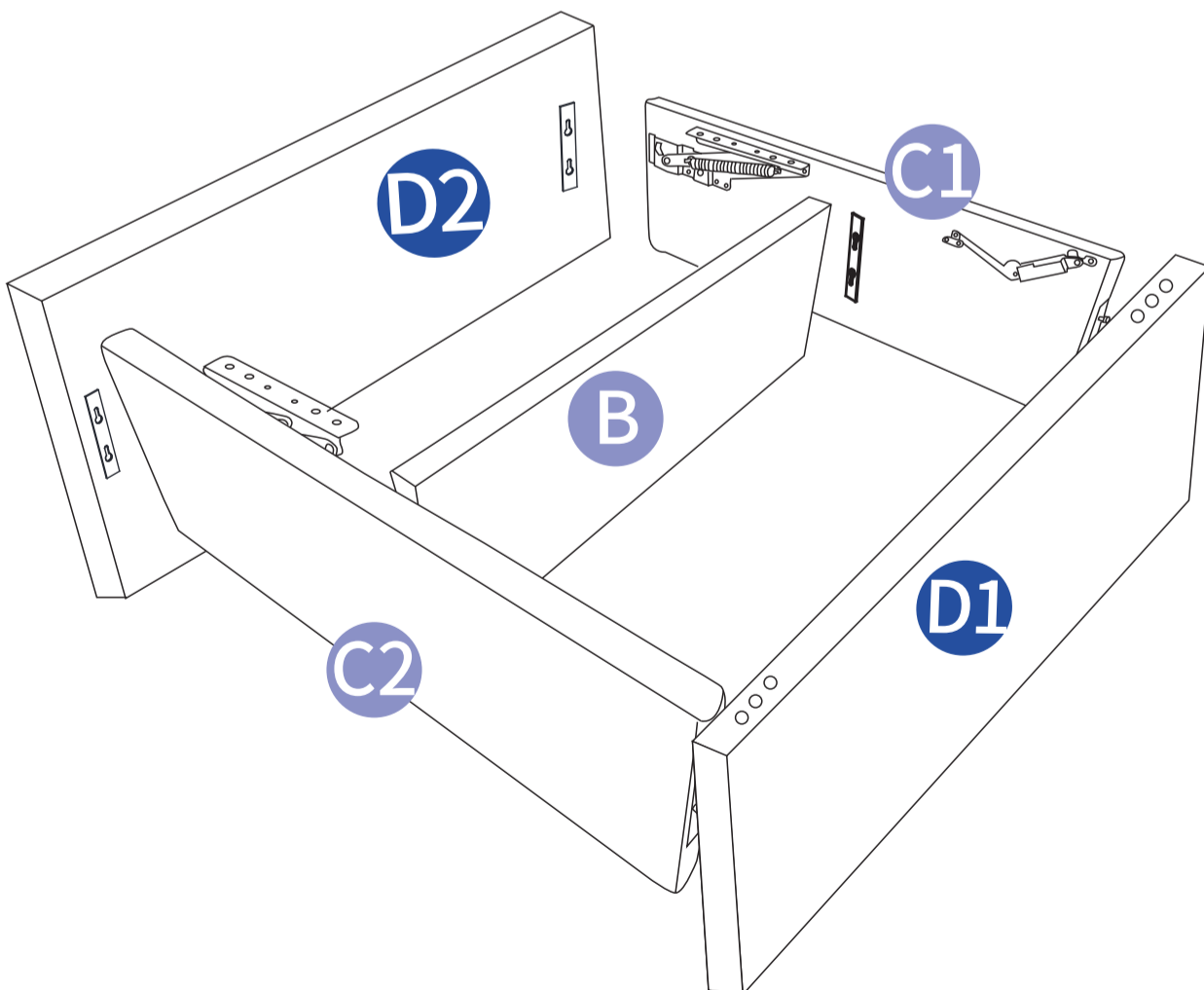
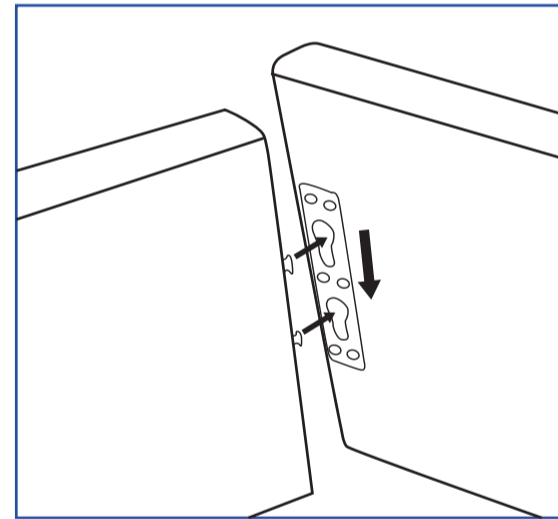
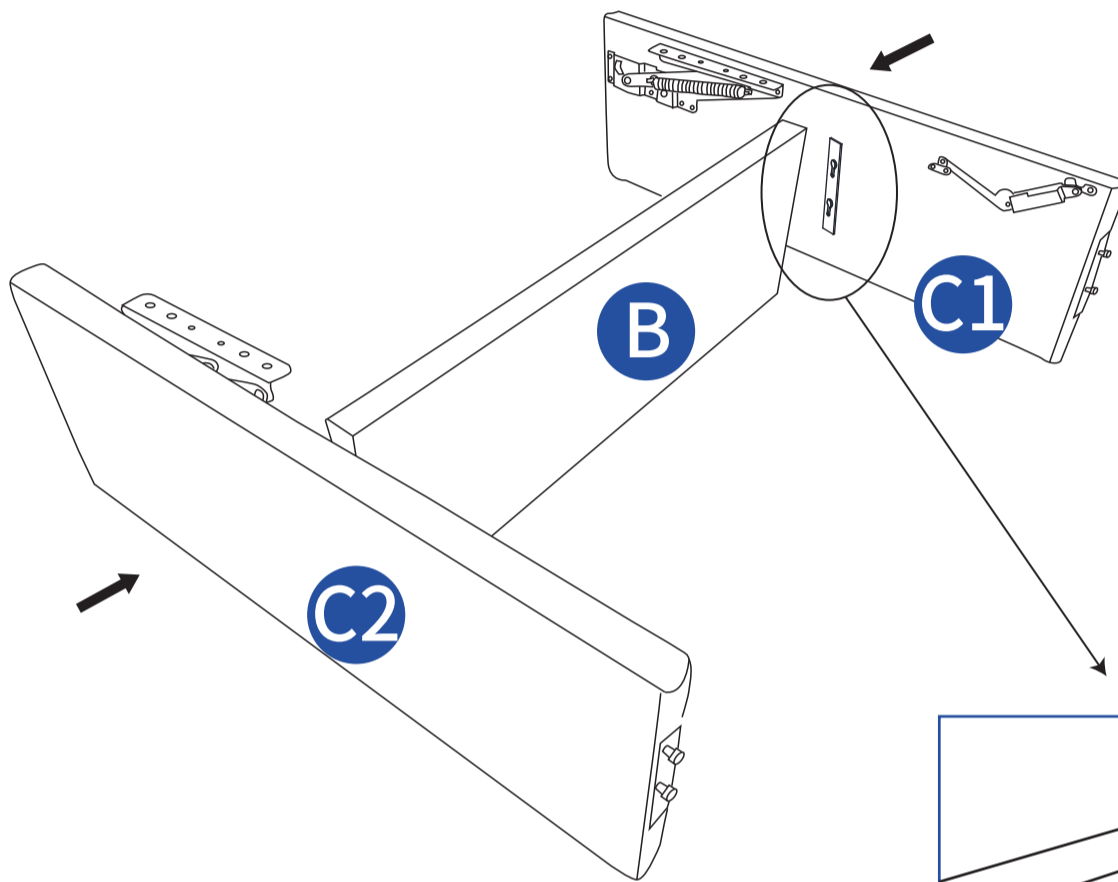
ⓒ21pc



ⓓ11pc



ⓓ21pc



ASSEMBLY INSTRUCTIONS

2



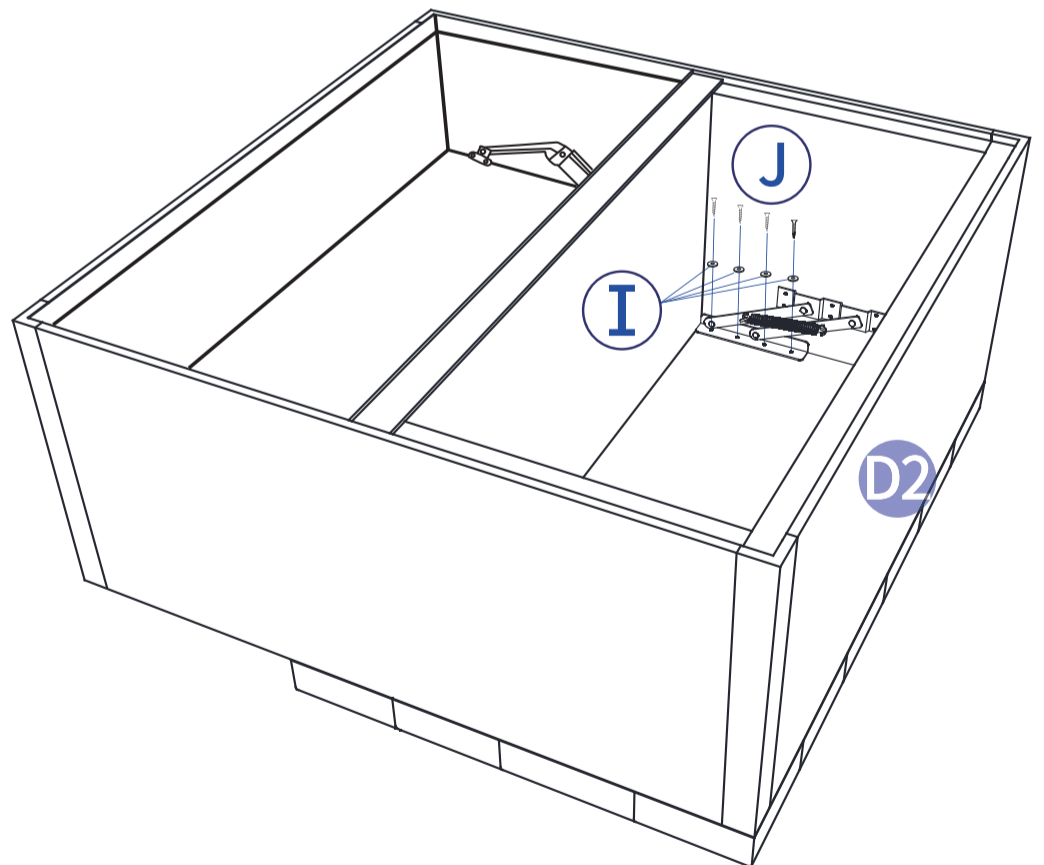
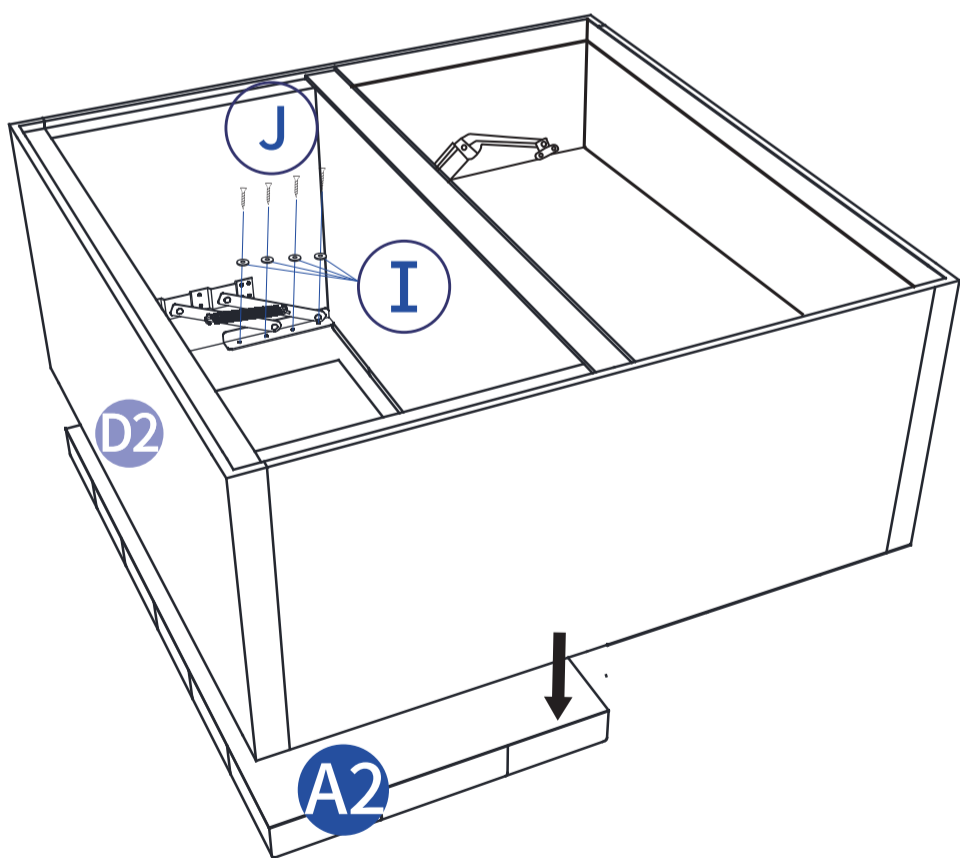
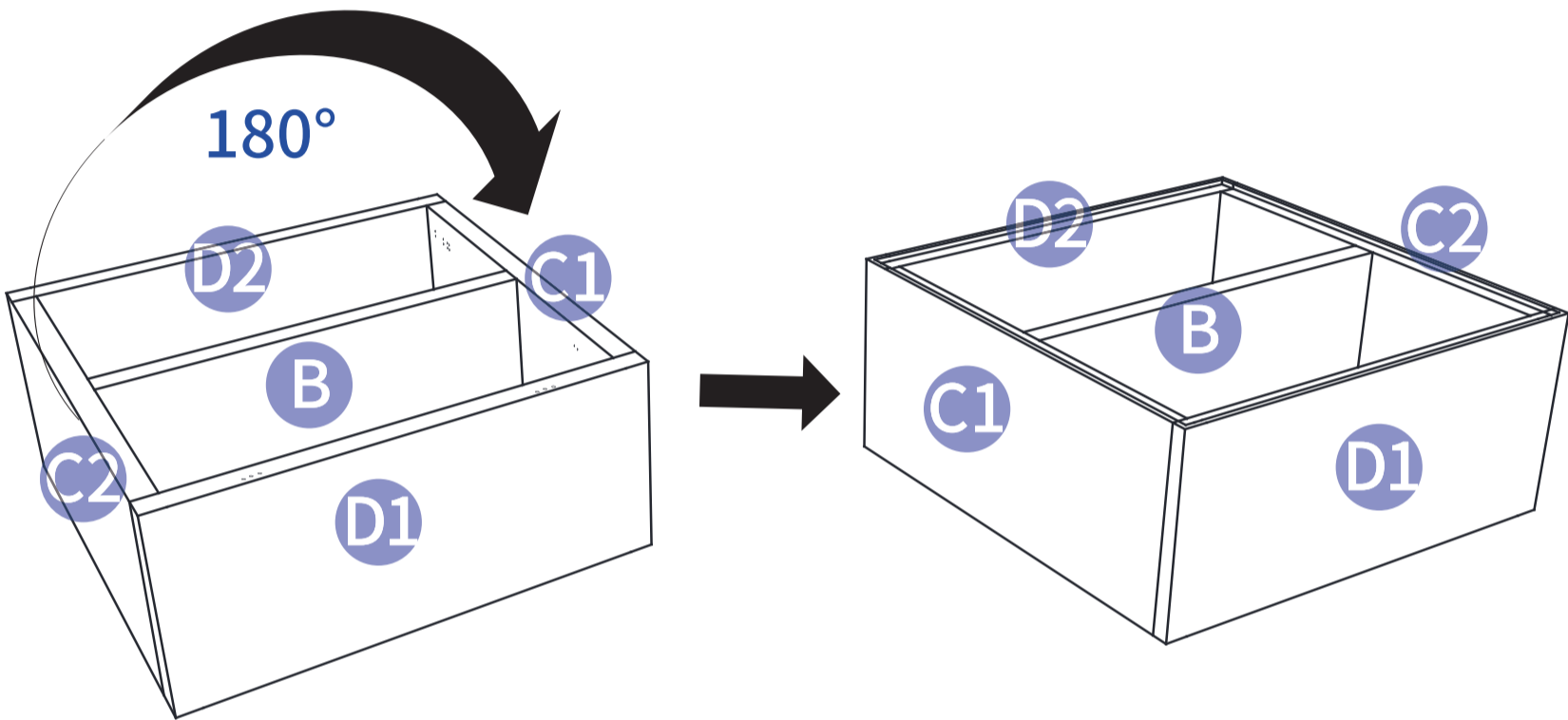
Ⓐ 1pc



Ⓘ 8pcs

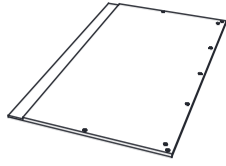


Ⓙ 8pcs



ASSEMBLY INSTRUCTIONS

3



ⓕ 1pc



ⓔ 1pc



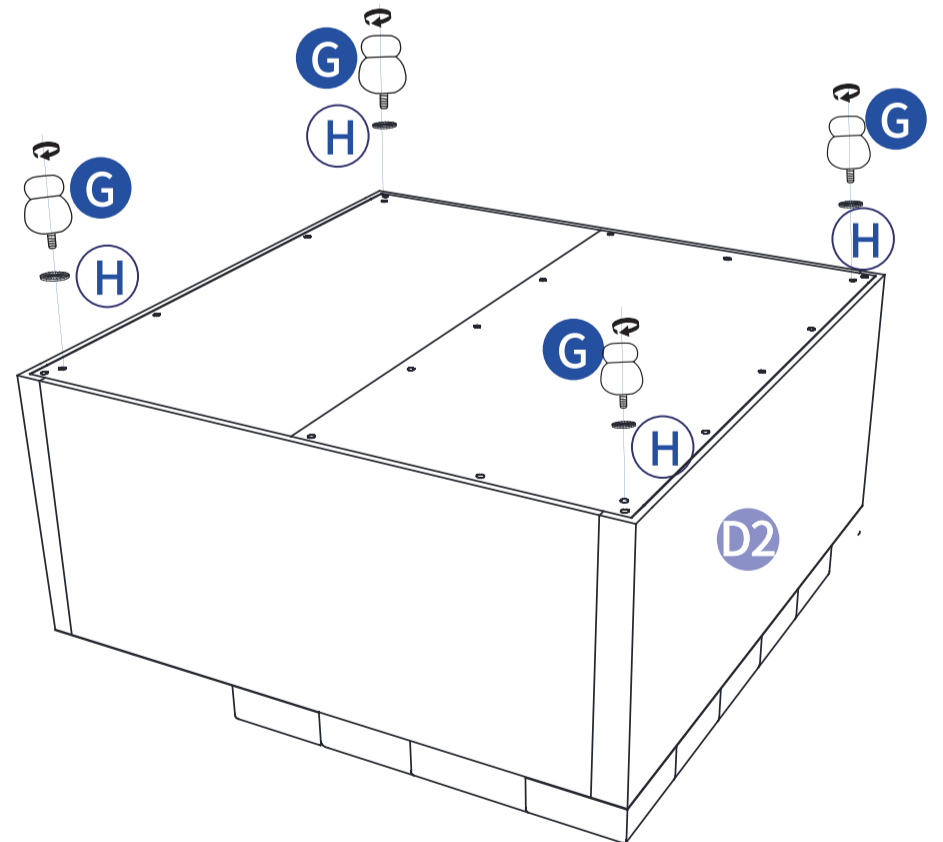
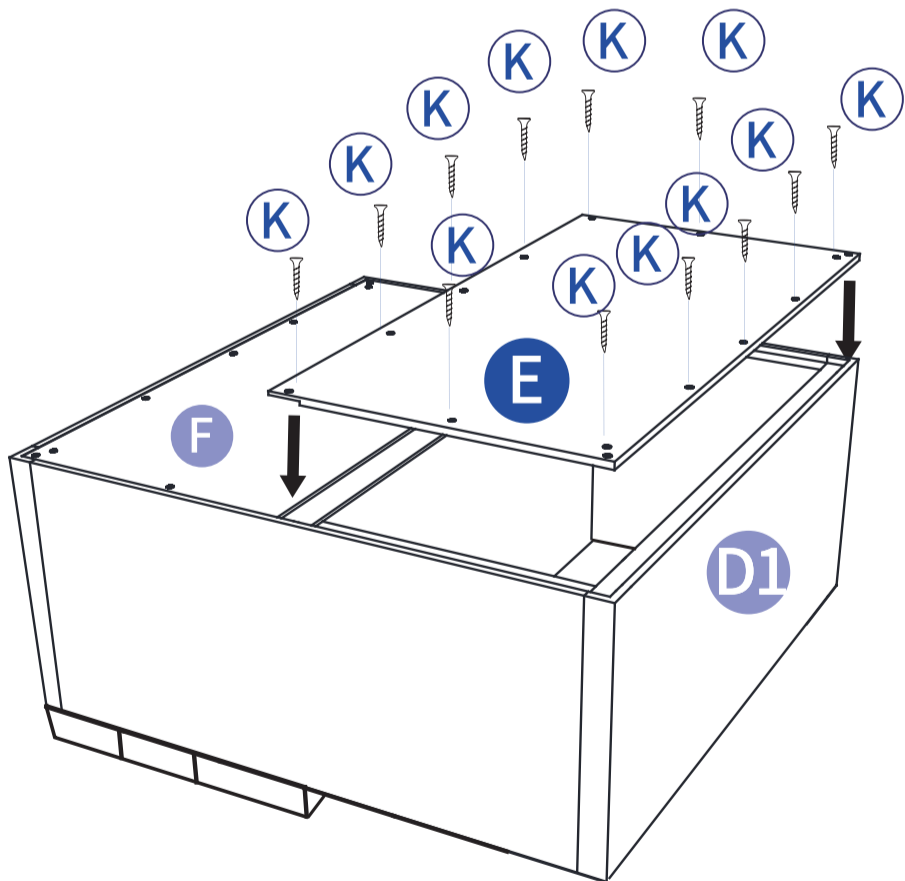
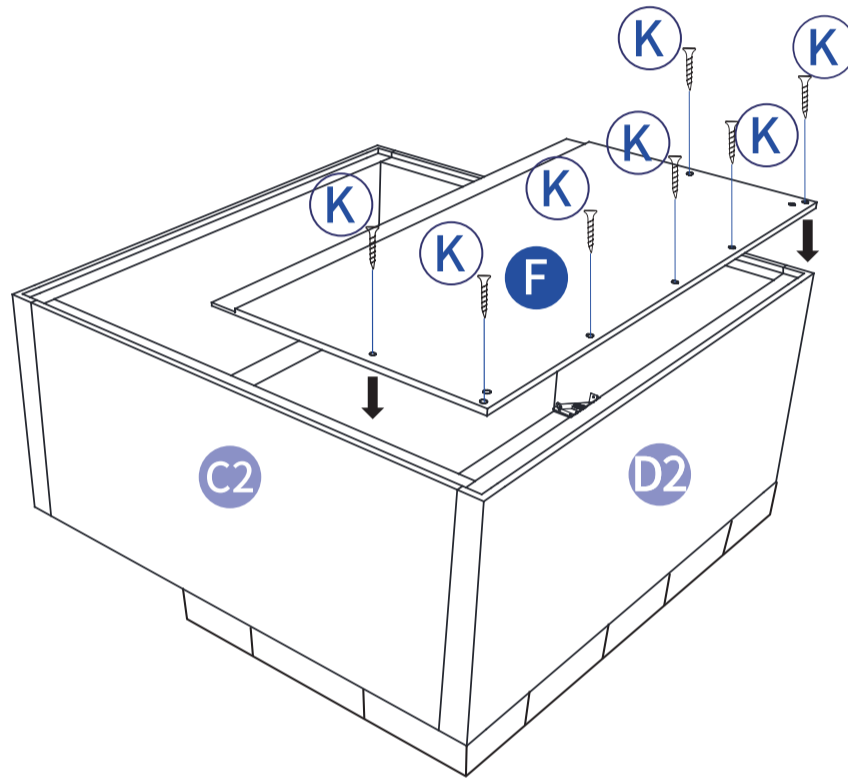
ⓖ 4pcs



ⓗ 4pcs



Ⓚ 19pcs



ASSEMBLY INSTRUCTIONS

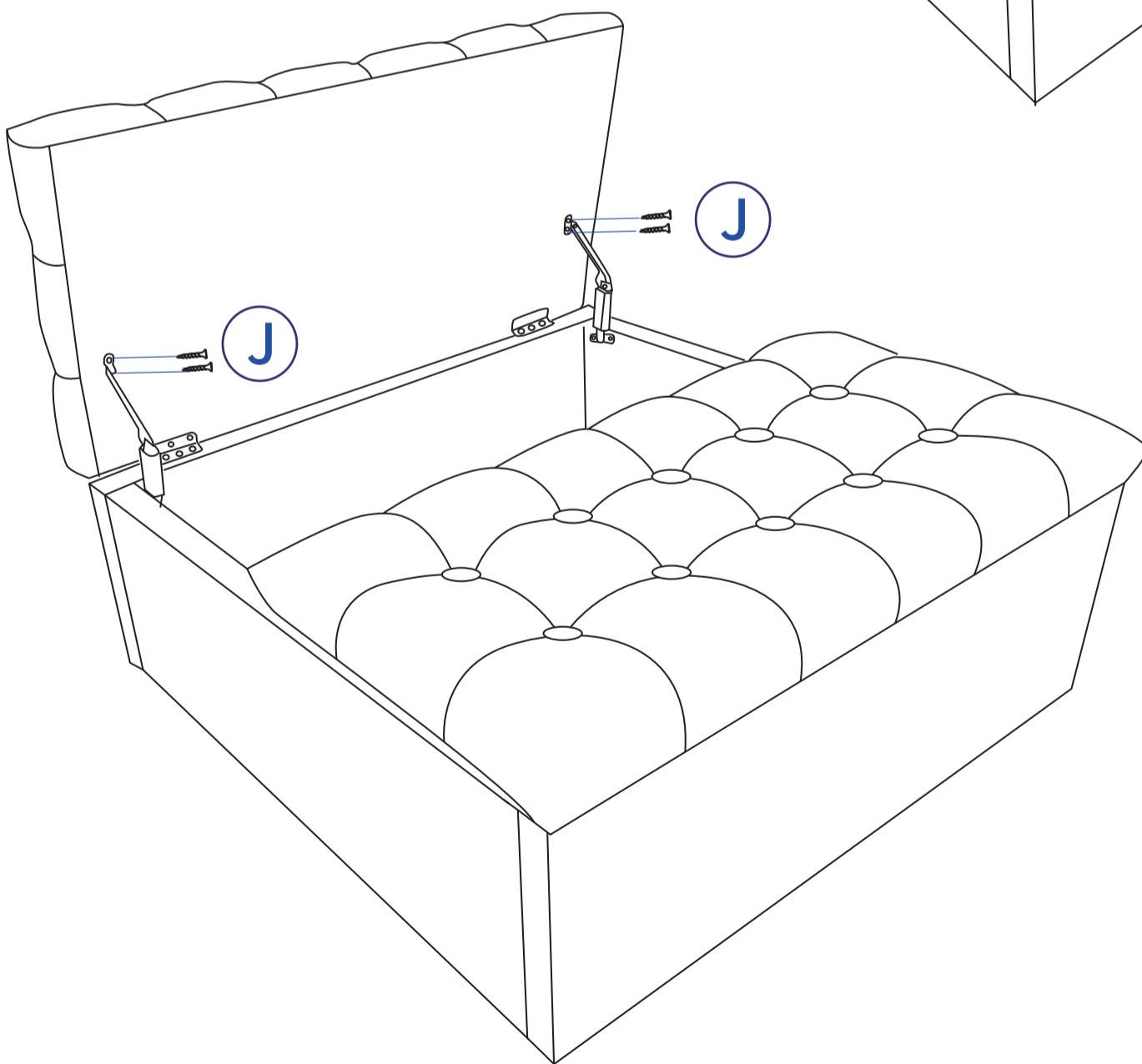
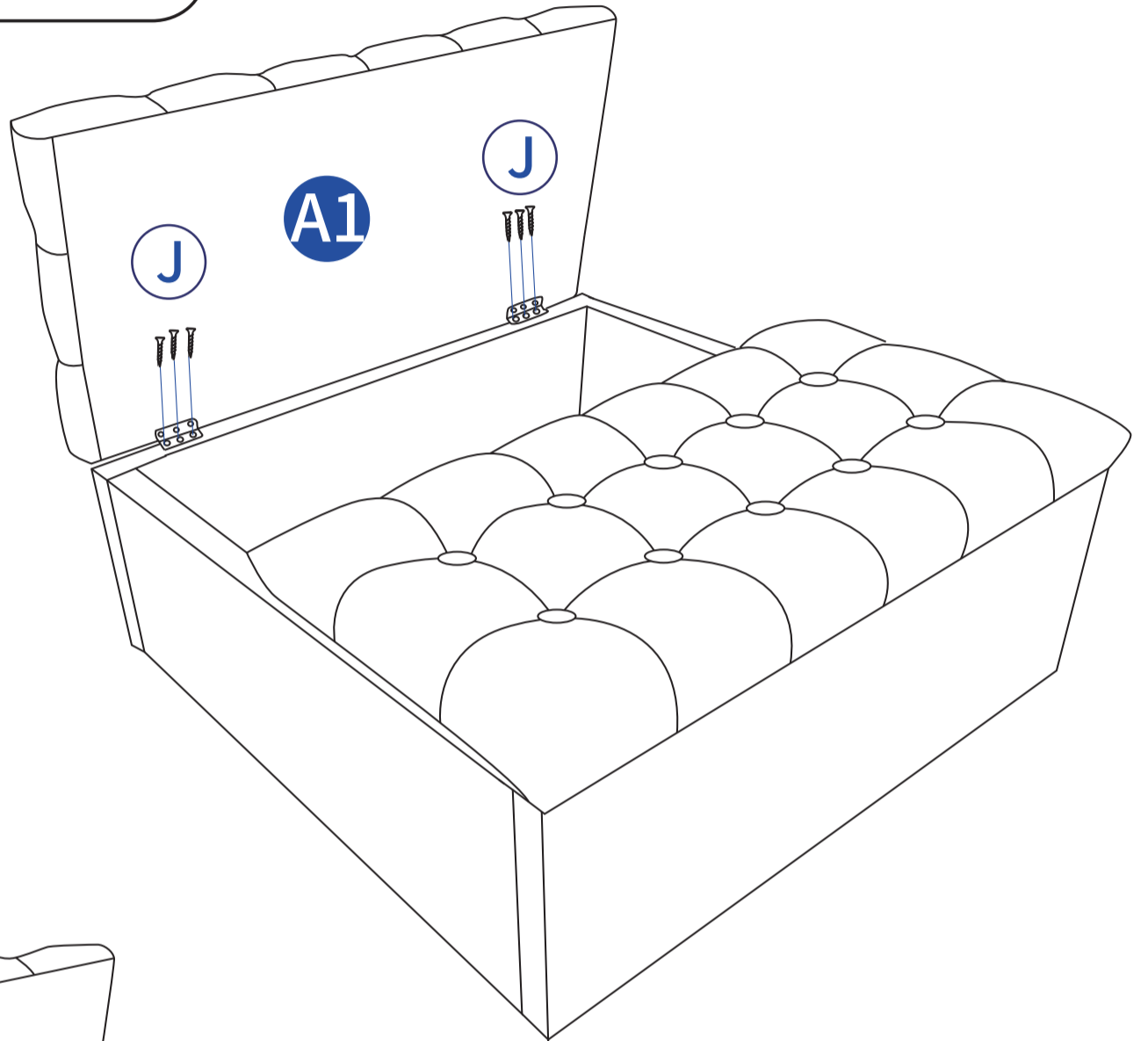
4



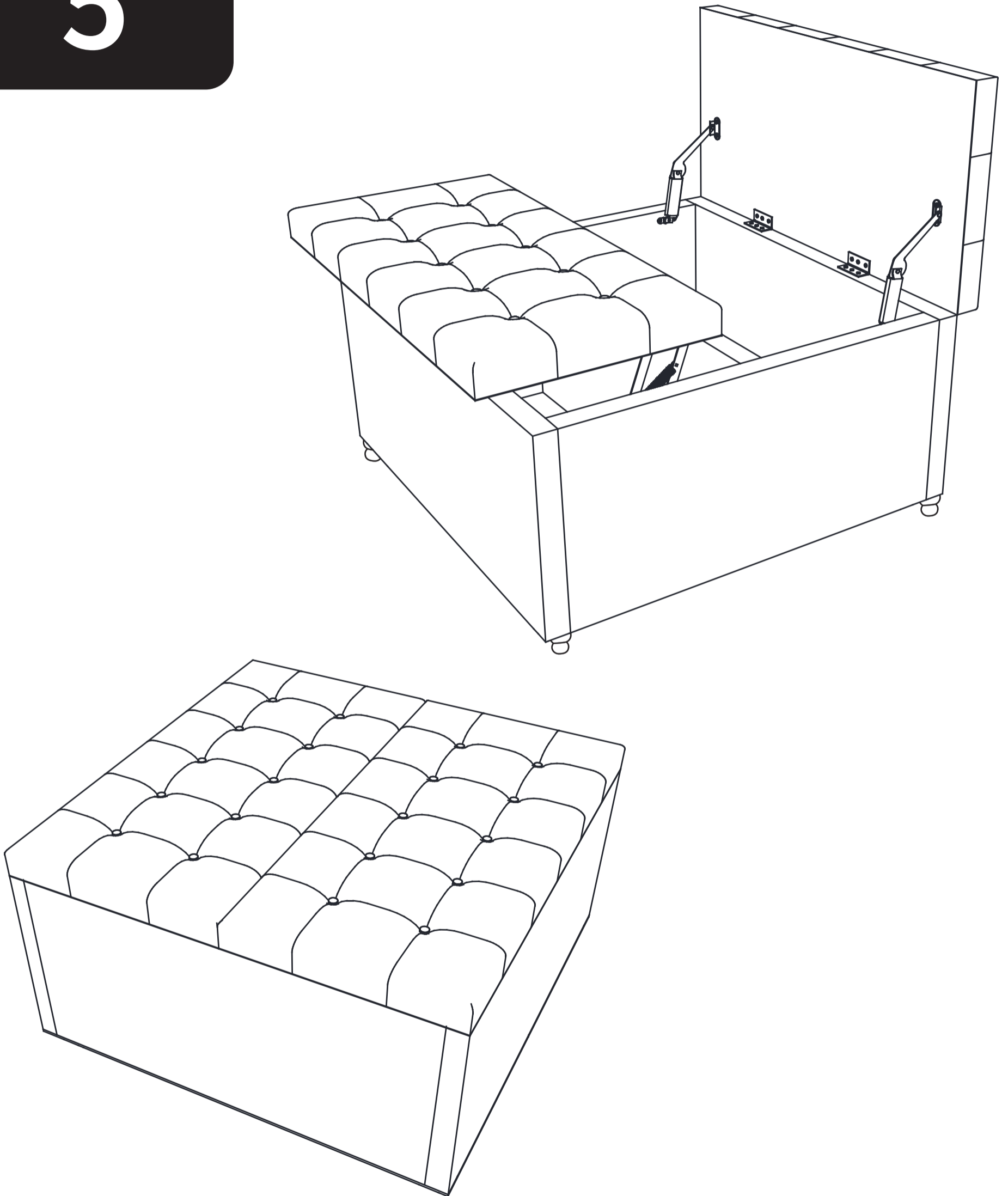
A1 1pc



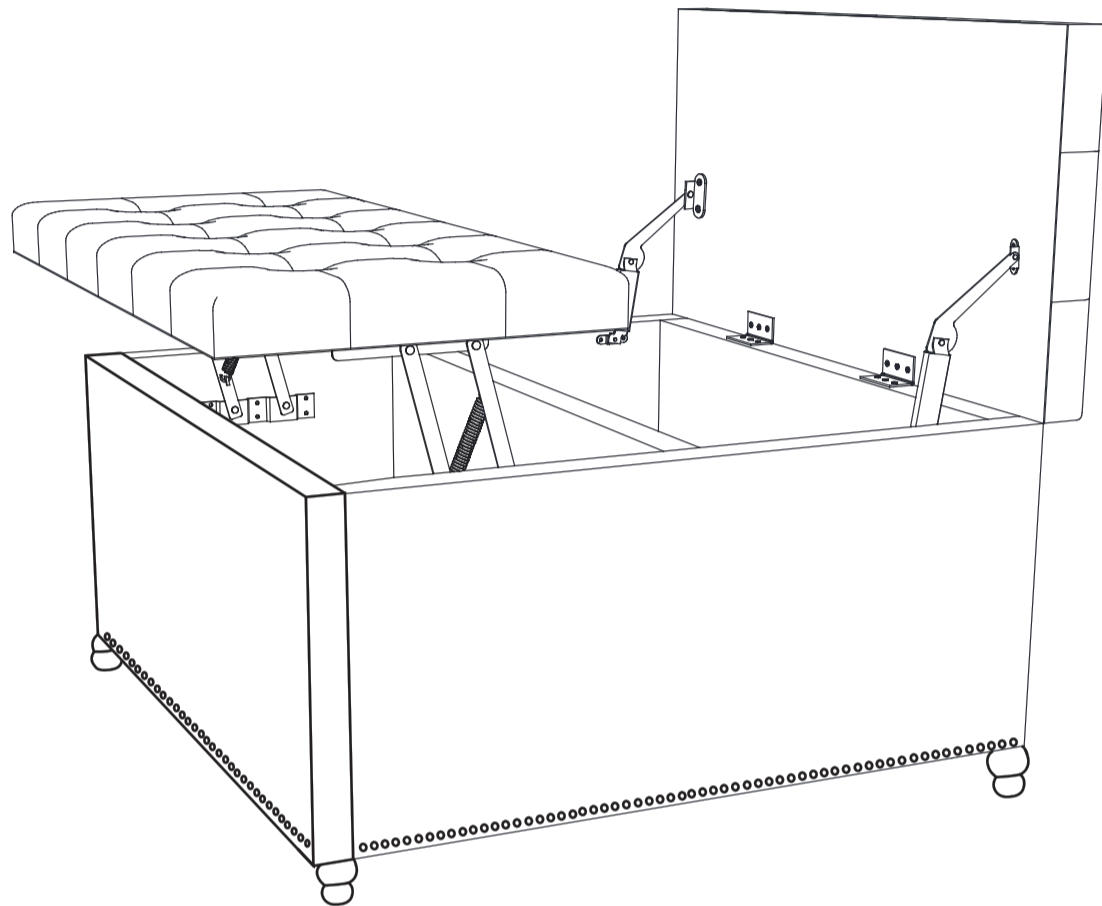
J 10pcs



5



6



Congratulations! You have completed the assembly!

Notice:

1. To obtain the installation video, kindly reach out to us for the link.
2. Please be aware that there might be a slight color variation due to factors such as lighting and screen refraction.
3. In case there are no pre-drilled holes in the board, don't worry, you can securely screw it in the appropriate position using the screws.

Frequently Asked Questions

1: What should I do if my shipment is damaged or products received are defective?

We're sorry to hear that! Please message us and provide a detailed description of the damage, as well as photos (or videos, where appropriate) showing the damage. We will do our best to resolve the issue as soon as possible.

2: Could I return the product if I'm not satisfied?

We put quality as one of our top priorities – We work with experienced manufacturers and have every piece of our product going through strict quality control process. However, if you still unsatisfied, it is recommended to return within 30 days of the date you received the product. You can message us with your reason of returning so we can facilitate the request and issue return authorization to you.

3: How to contact you if I have some problems?

Easy! Just message us and provide a detailed description about your problem, we are willing to help you and respond with 24 hours.