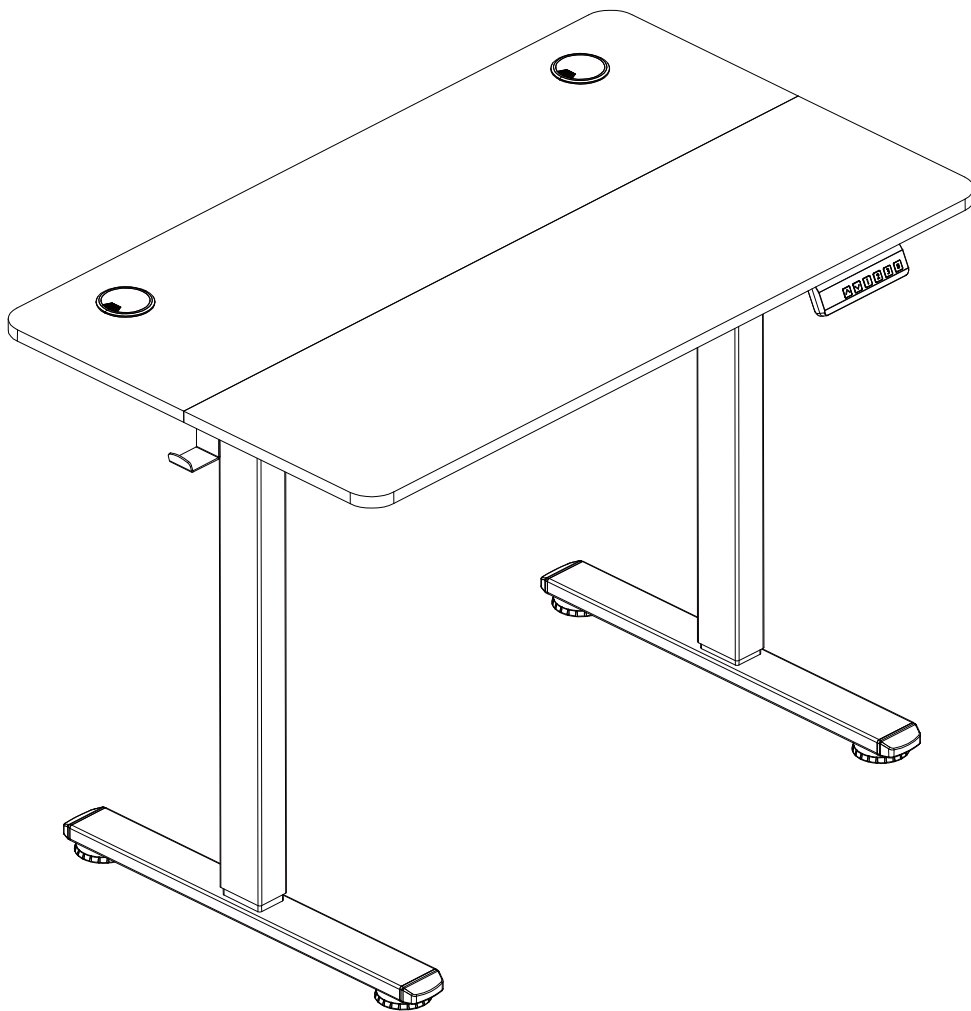


Assembly Manual

Electric Height Adjustable Desk



Please read this manual carefully before any operation and keep it properly for future use.

Warnings



Keep children, pets, etc. away from the product during table lifting operation. Unplug the product in lightning weather and when it will be unused for a long time.



Keep proper distance between the table and the wall.



Keep obstacles away in the running process of the table, and there should be no obstacles higher than 500mm under the table.



Better keep environment temperature 0-40°C, the product is far away from corrosive gases, liquids and dusty objects.



To avoid malfunction and harm to human body, it is strictly prohibited to disassemble the product without instruction.



Please read the operation instructions carefully before using the product. Sunon does not assume any responsibility for the damage of the product or human injury caused by abnormal operation.

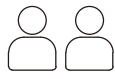


Reset manually after first use or power off.

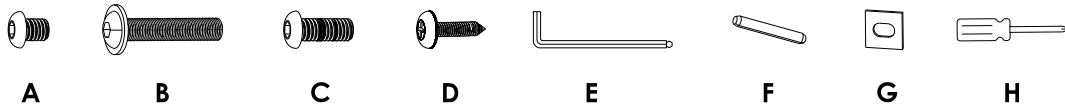
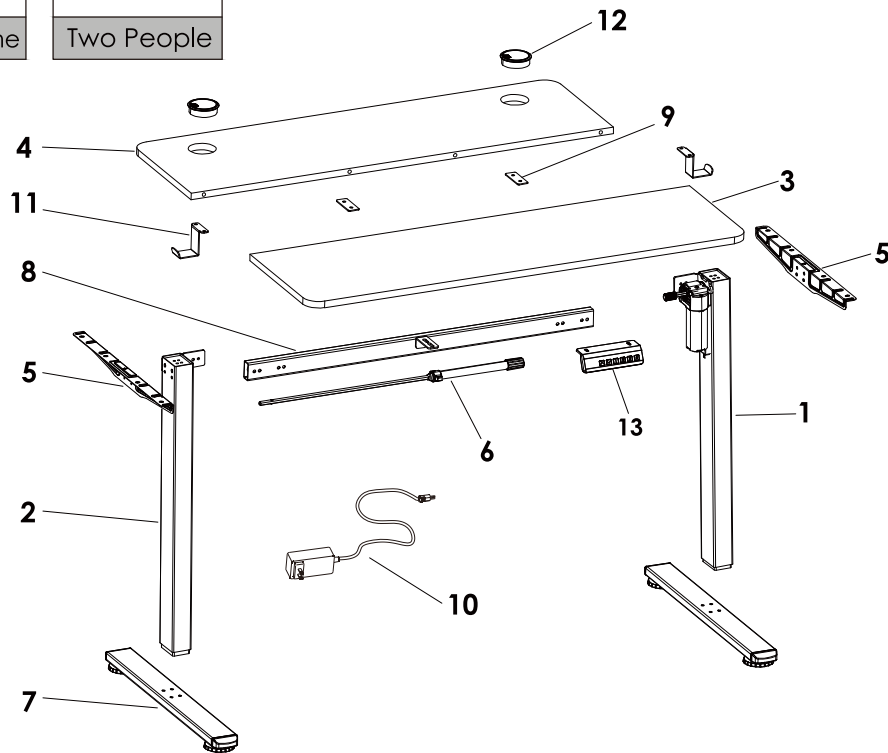
Components list

30 min

Assembly Time



Two People



No.	Component	PCS
1	Lift column with a motor	1
2	Lift column without a motor	1
3	Desktop without holes	1
4	Desktop with two holes	1
5	Side bar	2
6	Drive rod	1
7	Foot	2
8	Beam	1
9	Connector	2
10	Power cable	1
11	Hook	2

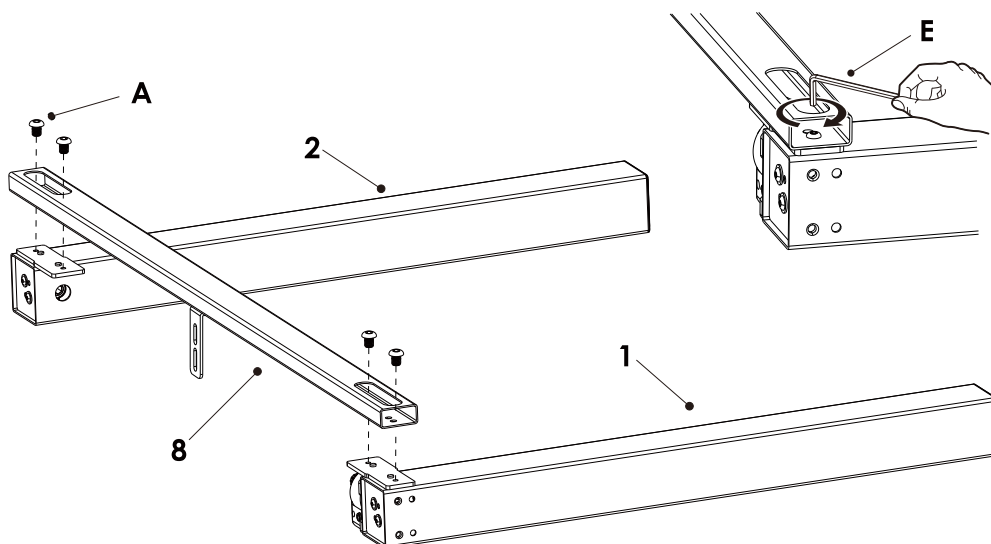
No.	Component	PCS
12	Cable cord grommet	2
13	Hand controller	1
A	Bolt(M6*6)	8+1
B	Bolt(M6*30)	8+1
C	Bolt(M6*14)	18+2
D	Screw(ST4.8*14)	2+1
E	Allen wrench	1
F	Dowels	4
G	Silicon pads	10+2
H	Phillips screwdriver	1

Note: The number after "+" sign indicates the extra piece(s).

Assembly Instruction

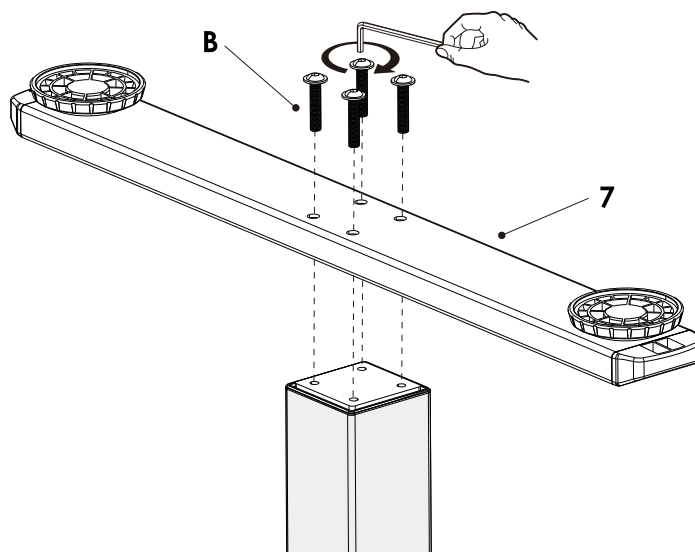
STEP 1

Place a carpet or soft pad on the ground in case any scratches before assembly. Attach beam **8** to the lift columns (**1** & **2**) using bolts **A** and Allen wrench **E**.



STEP 2

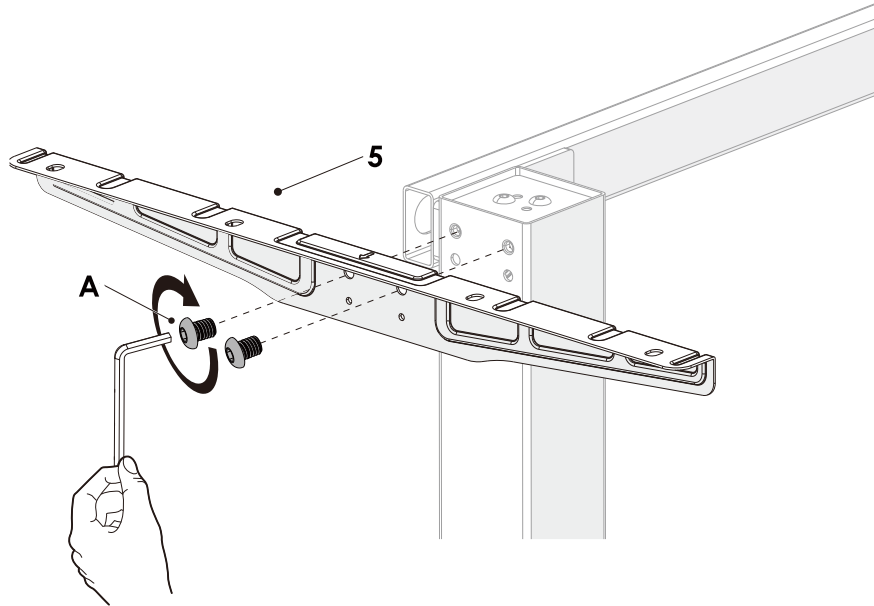
Attach feet **7** to the lift columns using bolts **B** and Allen wrench **E**. Do NOT fully tighten the bolts until all of them are in the correct holes. This will allow you slight adjustments during assembly.



Assembly Instruction

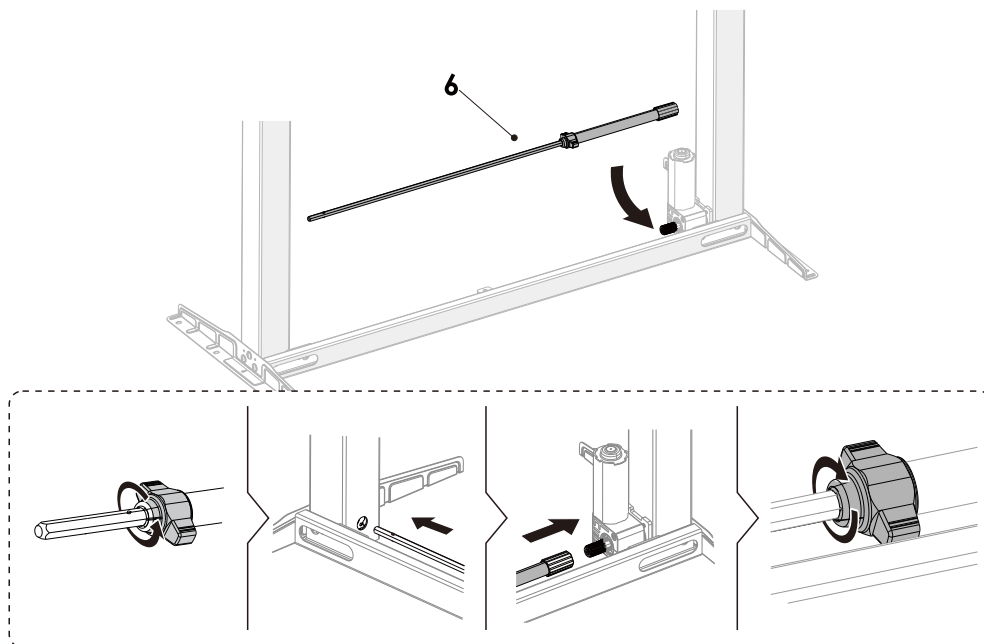
STEP 3

Attach side bars **5** to the lift columns using bolts **A** and Allen wrench **E**.



STEP 4

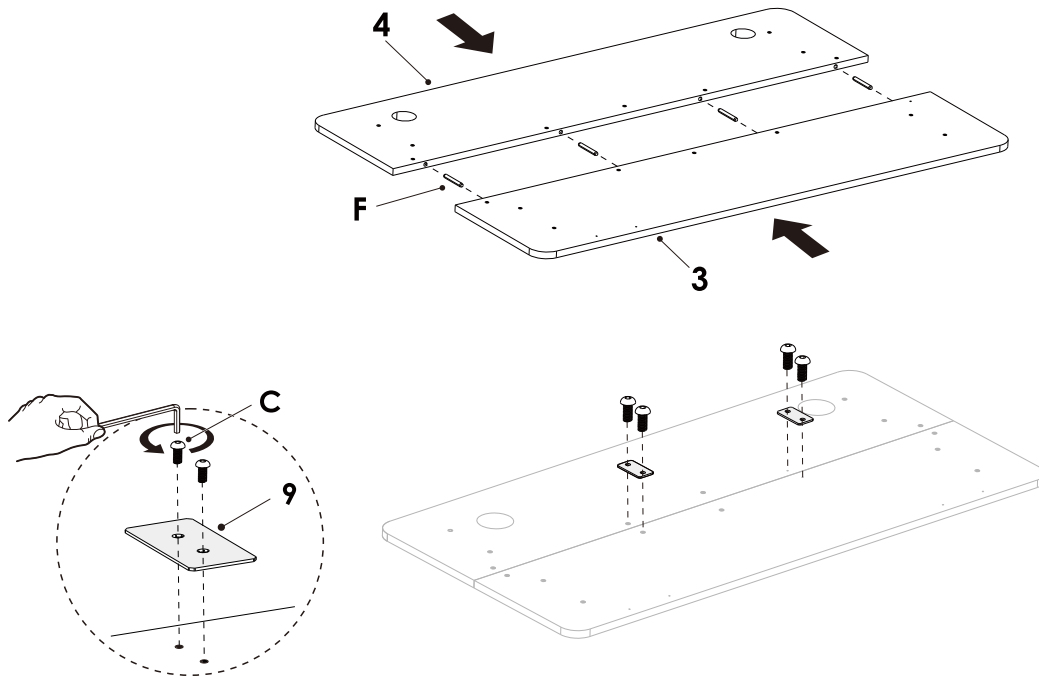
Turn the knob to loosen and adjust length of the drive rod **6**. Insert one end into the lift column without the motor first, and then insert the other end into the column with the motor. Finally, turn the knob to tighten securely.



Assembly Instruction

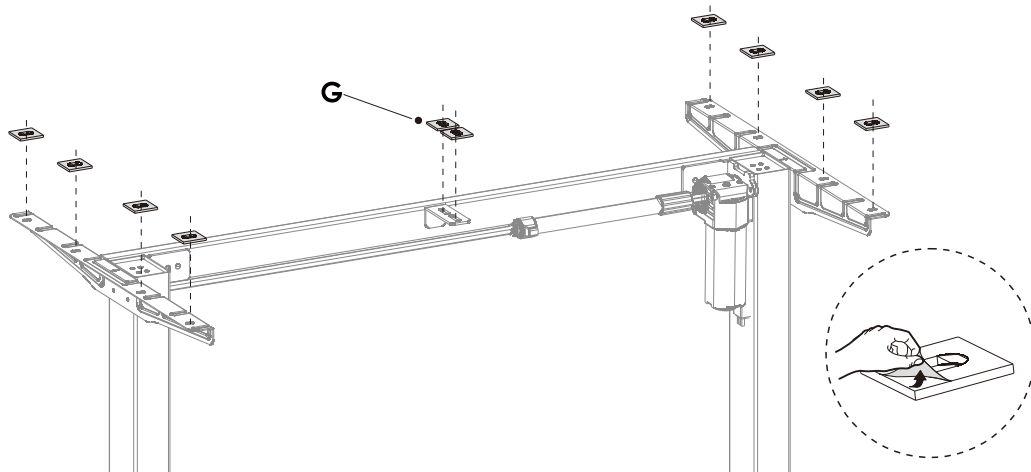
STEP 5

Insert dowels **F** to side of the desktop. Then insert the other ends to to another desktop. Fasten the desktops using connectors **9** and bolts **C**. Make sure that there is no gap between the two pieces of the desktops.



STEP 6

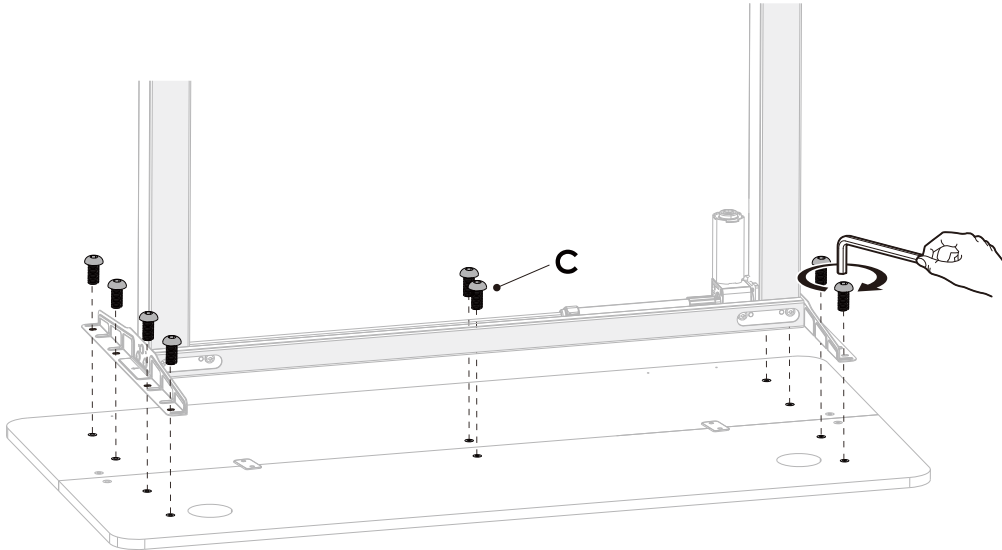
Remove the backing films and place the silicon pads **G** onto the side bars.



Assembly Instruction

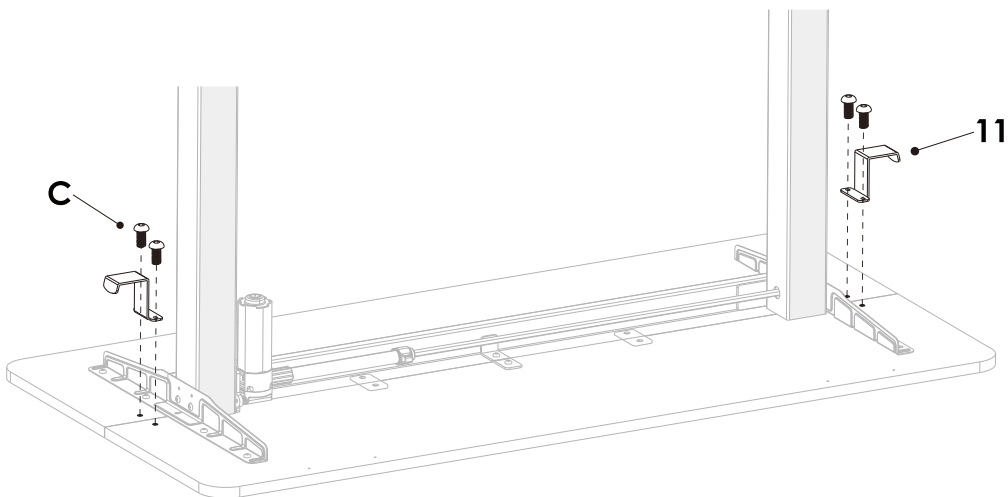
STEP 7

Attach the frame to the backside of the desktop using bolts **C** and Allen wrench **E**. Do NOT fully tighten the bolts until all of them are in the correct holes. This will allow you slight adjustments to the positions during assembly.



STEP 8

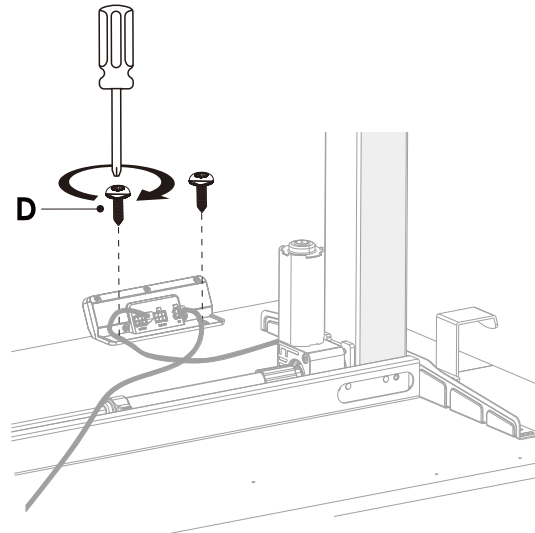
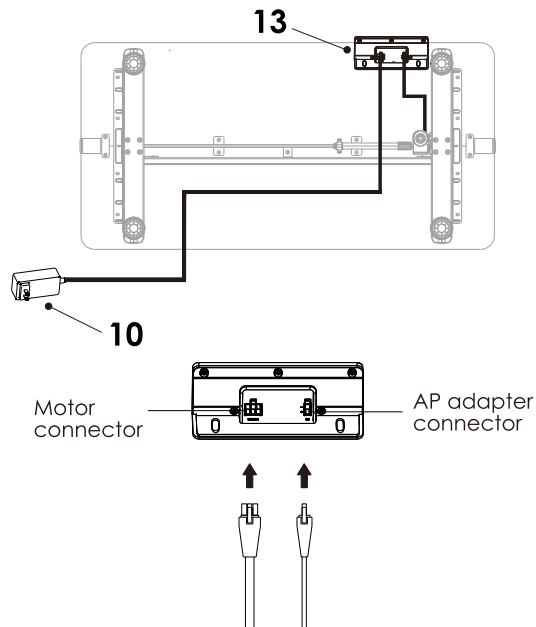
Attach the hooks using bolts **C** to the backside of the desk tops.



Assembly Instruction

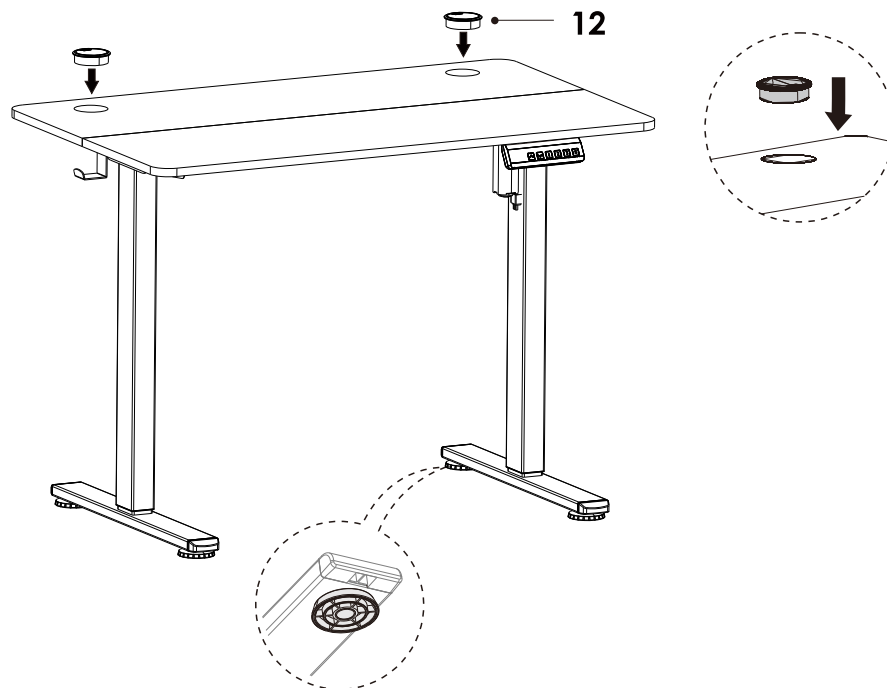
STEP 9

Connect cords as shown below, and attach handle controller to back side of the desktop using screws **D** and Phillips screwdriver.

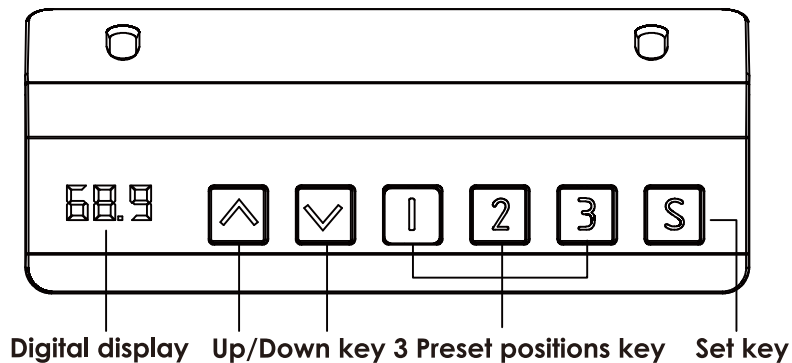


STEP 10

Press the grommets into the holes on the desktop. If the standing desk is uneven, you can adjust it by turning the leveling feet.



Function Instruction



1. Note for first use:

When first powering on the product, the digital display shows the current height (distance from desktop to ground). If it does not match the actual, a reset is required.

2. Reset procedure:

Press and hold the **"Down"** key on the handset until the legs stop moving after 5 seconds. The handset will display **"RST"**, indicating reset has started. Keep holding the **"Down"** key until the legs reach their lowest position. Release the **"Down"** key once the legs stop bouncing at the base height. The reset is complete.

3. To move upwards:

Press and hold the **"Up"** key on the handset. The desk will start rising. Release the key to stop.

4. To move downwards:

Press and hold the **"Down"** key on the handset. The desk will start lowering. Release the key to stop.

5. To set a memory position:

With the desk stopped, press the **"S"** key followed by **"1"**, **"2"** or **"3"**. The current desk height will be saved to the number key pressed. The handset can store 3 height positions which are retained if powered off. To recall a position, simply press the assigned number key and the desk will move to the saved height. Pressing any key during movement will stop the desk.

6. To lock:

Press and hold **"UP"** and **"DOWN"** keys together for 5 seconds. The handset will display **"LOC"** indicating the system is locked from operation.

7. To unlock:

Press and hold **"UP"** and **"DOWN"** keys together for 5 seconds until the handset displays numbers again.

8. Menu Options

To access the menu, press and hold the **"S"** key for 5 seconds. The menu content will flash. There are several menu items: desktop height setting, collision sensitivity increase for up, collision sensitivity decrease for down, and display units.

Press **"S"** briefly to cycle through the menu pages. Use **"Up"** and **"Down"** to modify the values. To quickly adjust the minimum and maximum height settings, press and hold **"Up"** or **"Down"**.

When ready to save, press and hold **"S"** again until the progress bar on the right fills up completely. **"SUS"** will display if saved successfully, or **"FAL"** for failure. The menu will exit automatically either after saving or after 10 seconds of no activity.

Function Instruction

Menu Options	Display	Note
Desktop Thickness	0~30	- Minimum height setting range: 0cm-30cm - Minimum height step: 0.1cm
Collision sensitivity increase for up	PC0~PC5	- Setting range: 0-5 - 0: Disabled - 1~5: Higher number, higher sensitivity
Collision sensitivity increase for down	DC0~DC5	- Setting range: 0-5 - 0: Disabled - 1~5: Higher number, higher sensitivity
Display units	U-0	Metric units (CM)
Display units	U-1	Imperial units (INCH)

9. Energy Saving Mode

If there is no key press for 1 minute, the controller will be energy saving mode. The digital display will turn off and it will be low power mode. Press any key to exit energy saving mode.

10. Fault Code Table

Fault Code	Description	Solution
Sc0	Self-test failure - Abnormal standby current	Reconnect the power supply, if the alarm persists, replace the drive board.
Sc1	Self-test failure - Main power abnormality	Reconnect the power supply, if the alarm persists, replace the power supply board.
Sc2	Self-test failure - Sensor abnormality	Reconnect the power supply, if the alarm persists, replace the drive board.
HOT	Overheating protection	The system will automatically enter protective mode if overheating occurs. The alarm will clear after 18 minutes.
R-5	Communication failure	Handset and driver communication failure alarm. Check if the connection between the handset and driver is normal.
R-6	Voltage abnormality	It will self-recover. If the failure occurs frequently, replace the main power supply.
RST	Reset incomplete	Continue resetting
Ex0	Drive circuit short	Reconnect the power supply, if the alarm persists, replace the drive board.
Ex1	Overload	Reduce the load. The alarm will automatically clear after 20 seconds.
Ex2	Motor missing phase	Check if the motor phase wires are connected properly.
Ex3	Abnormal running direction	Check if the motor and hall sensor wire order is incorrect.
Ex4	Collision protection alarm triggered	Run in the opposite direction for 5cm then stop. The alarm code will automatically clear.
Ex5	Motor stall alarm	Check if the lifting leg transmission mechanism is jammed.
Ex6	Motor wire disconnected	Check if the motor wires are connected to the driver.
Ex7	Mechanical failure	Check if the lifting leg structure or motor turbine is damaged.