

CORNER STAND

Installation Manuals

Thank you for choosing this corner stand
The manual is to help you use the product correctly, Please read the manual carefully and follow the guidance.

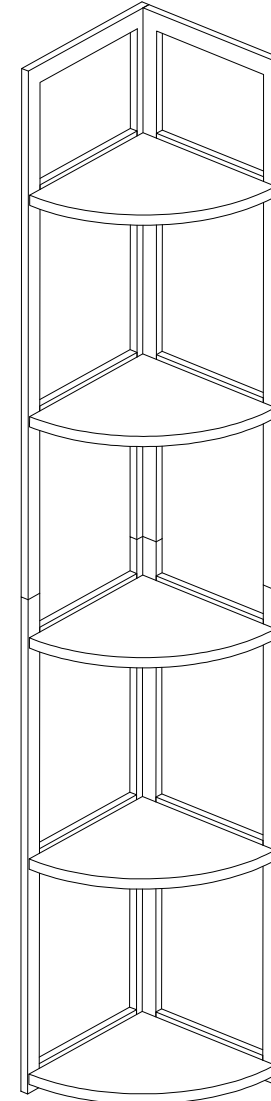
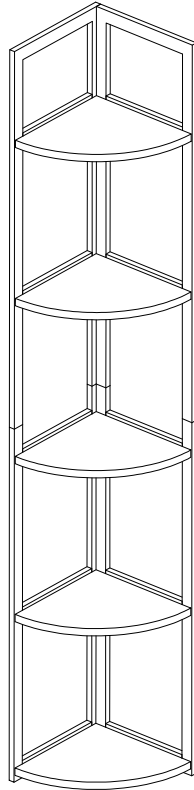
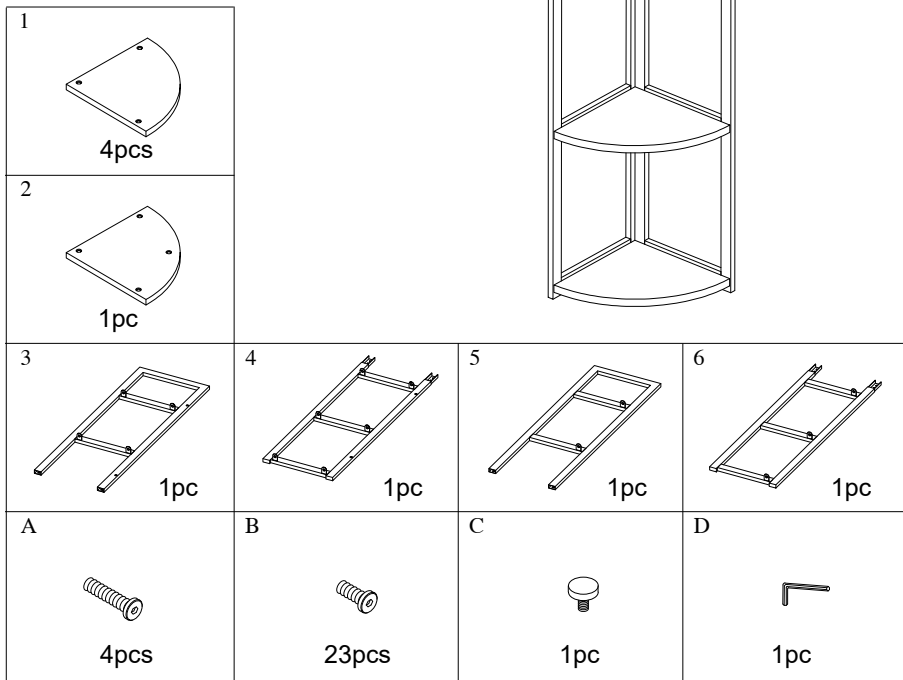
ATTENTION

A: We recommend that at least 2 people install the bookcase.

B: Cleaning with a soft cloth.

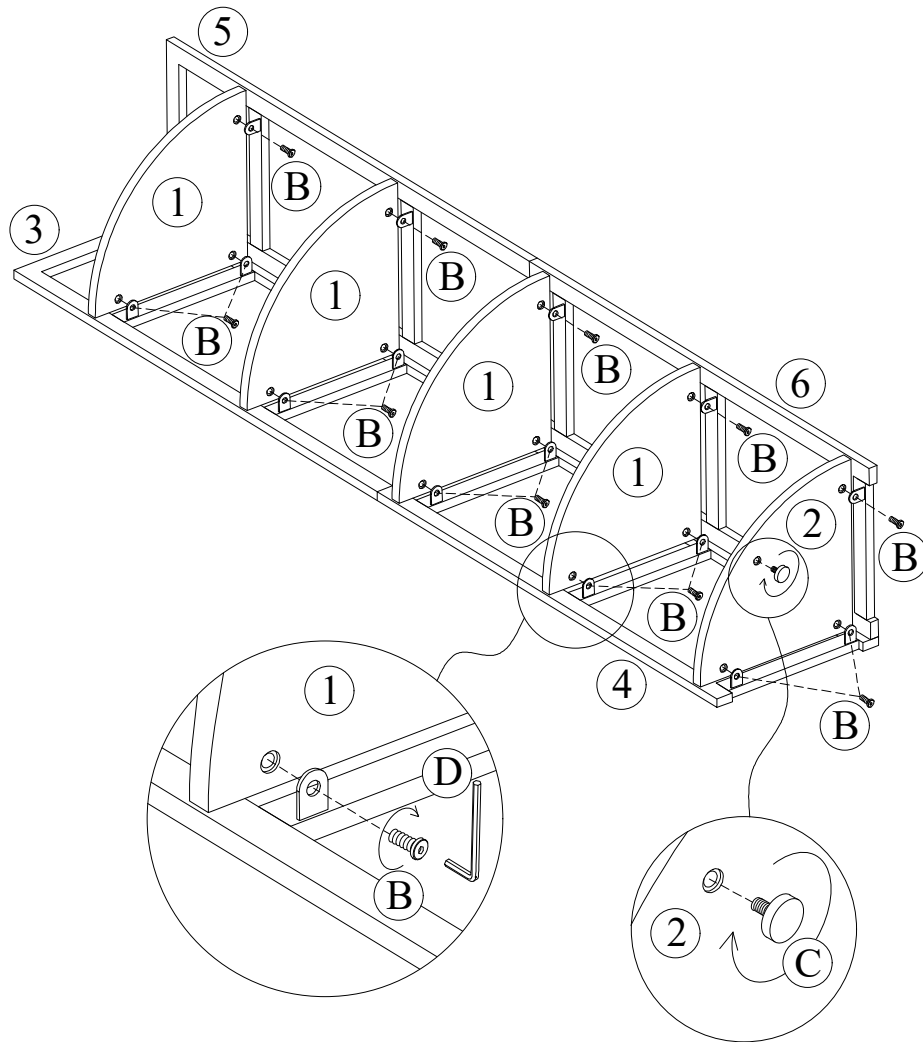
Setp 5

Tighten all the bolts and turn the Unit stand-up.



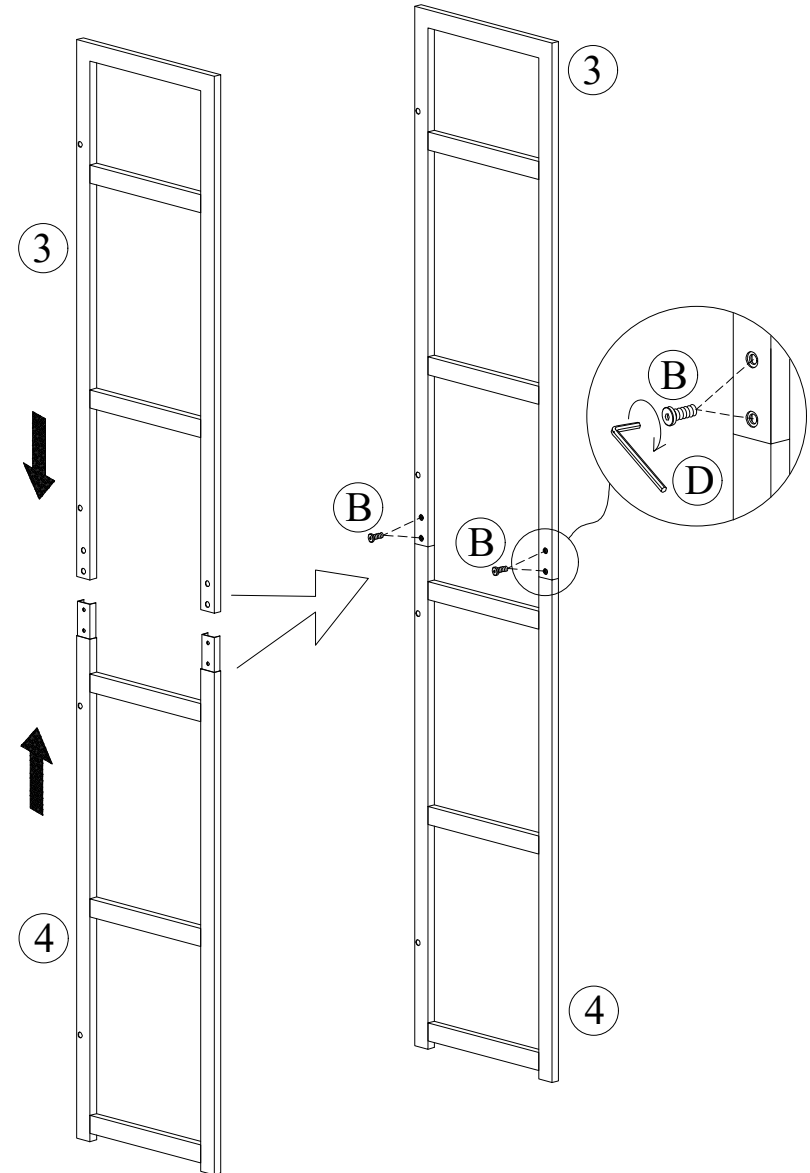
Setp 4

Lay the pre-assembled metal panel fit to the part(1)&(2) with short bolt (B).
Then fit the adjustable leg to part (2).



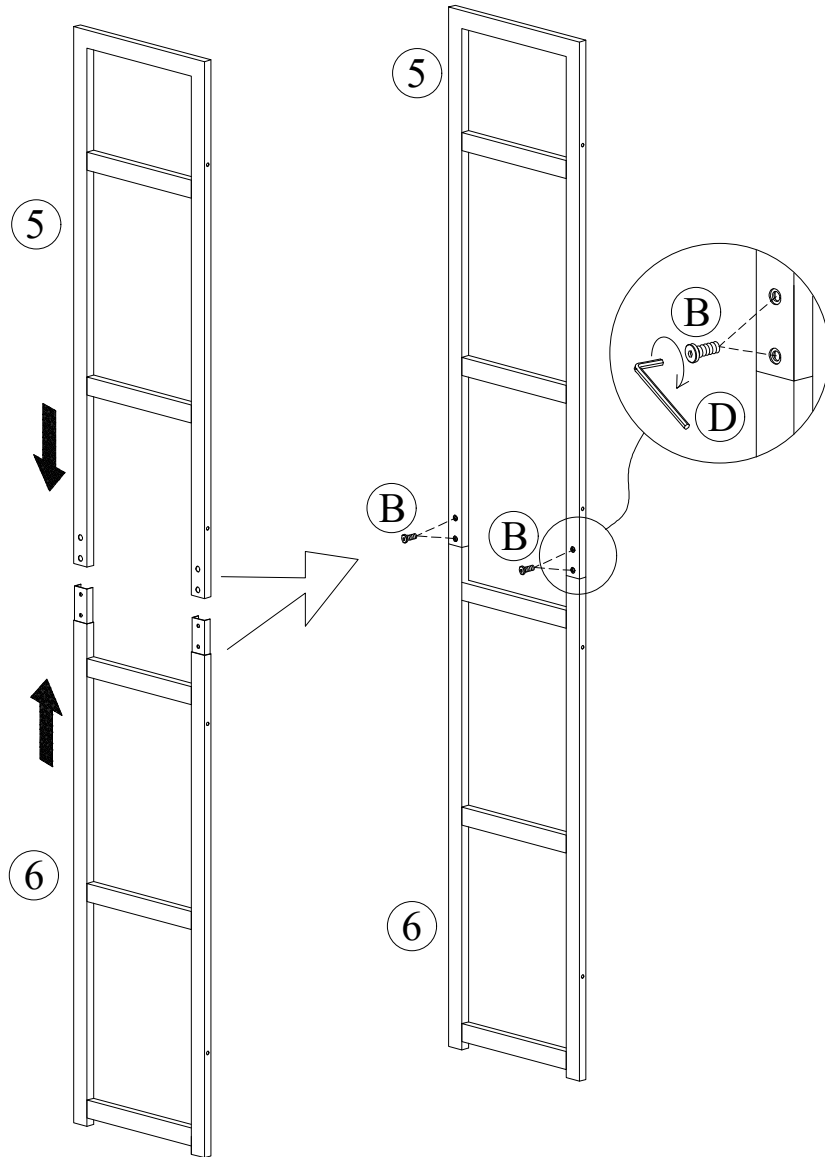
Setp 1

Place the metal side panel (3) and (4) upside, Use short bolt (B) to assemble with allen key (D).



Setp 2

Place the metal side panel (5) and (6) upside, Use short bolt (B) to assemble with allen key (D).



Setp3

Assemble the pre-assembled side panel (3)&(4) and (5)&(6) with long bolt (A).

