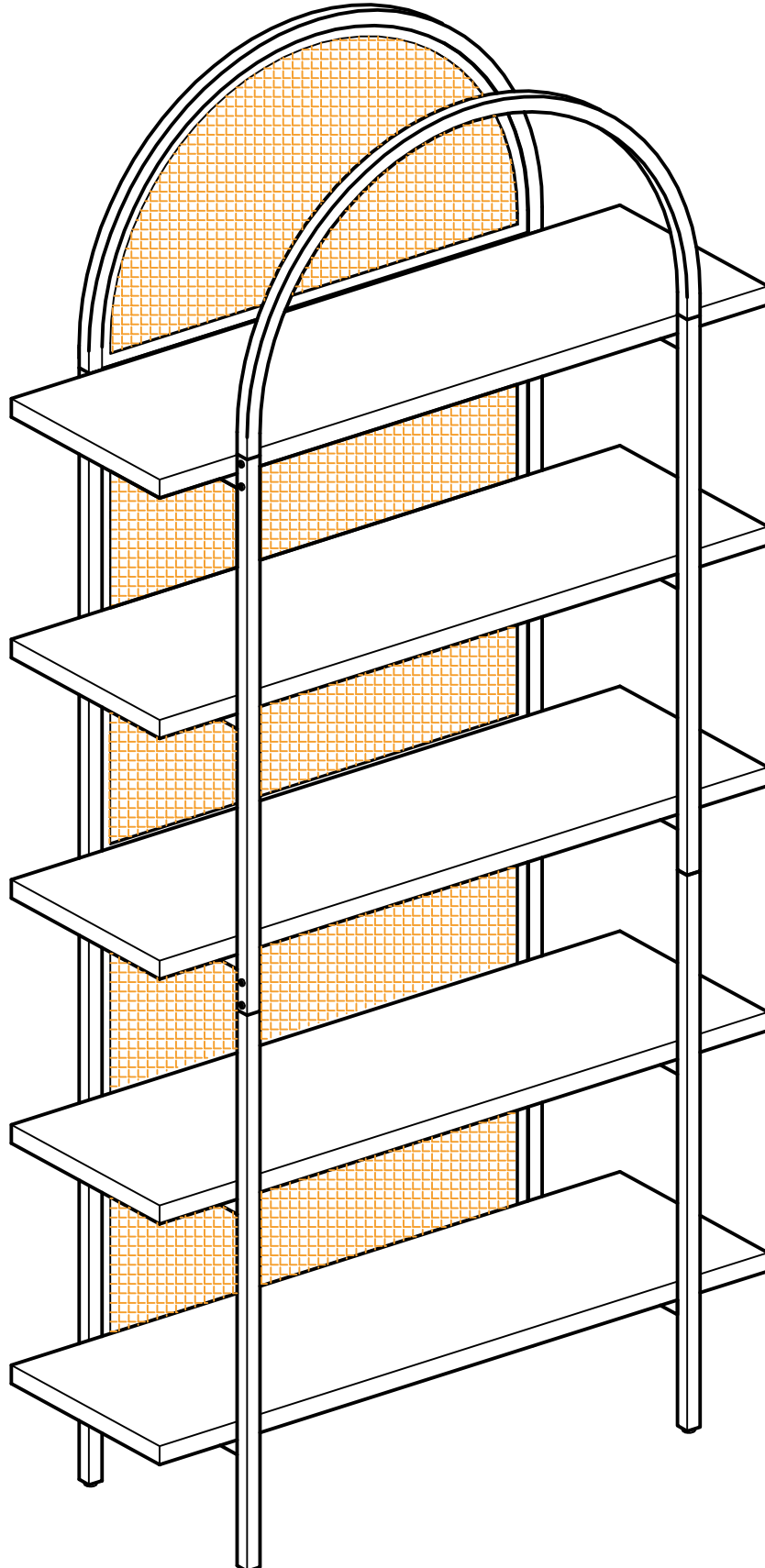


Bookshelf

ASSEMBLY INSTRUCTIONS



General Guidelines

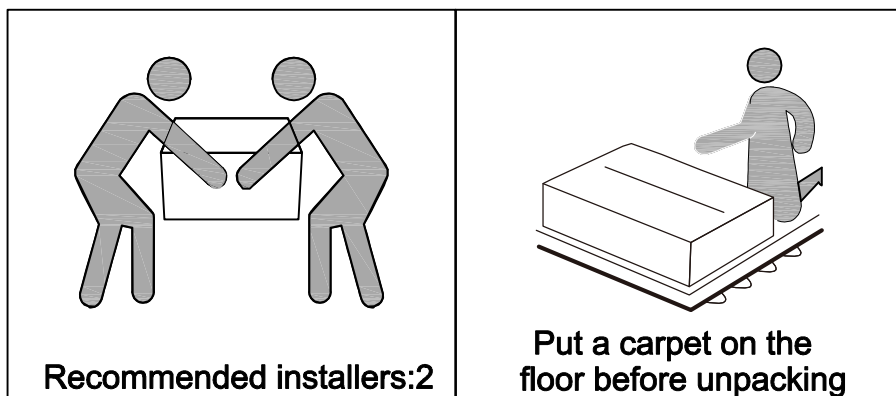
- * Please read the following instruction carefully and use the product accordingly.
- * Please keep this manual and hand it over when you transfer the product.
- * This summary may not include every detail of all variations and considered steps. Please contact us when further information and help are needed.

Notes

- * The product is intended for indoor use only. The product must be assembled and used in accordance with the provisions of the manual. Personal injury and/or damage to product may occur if products are used outside of their intended purposes and/or if products have been changed/modified from their original design. The seller does not assume any responsibility or liability with respect to any injury/damage caused by incorrect assembly or improper use.
- * If there are any defective or missing parts after unpacking, please cease assembly immediately and contact us.
- * Please wear gloves during the assembly and/or disassembly process to avoid scratches from any sharp edges..
- * Please place this item on level, solid ground during use.
- * Avoid long-term exposure to humid environments to prevent mildew.
- * Keep the product away from fire sources and high temperatures. Do not expose the product to direct sunlight.
- * Do not place any hot objects on the surface of the product.
- * **Do not fully tighten the screws during initial assembly. Fully tighten screws only once all pieces which are correctly assembled**

Warnings

- * Children are not allowed to assemble the product. During assembly, keep all any small parts out of the reach of children as they may be fatal if swallowed or inhaled.
- * Children are forbidden to climb or play on the product to avoid serious bodily injury caused by the toppling.
- * Keep plastic packing bags out of reach of children to avoid any potential danger, such as suffocation.
- * The product should be attached to the wall with the included anti-tipping kit to prevent personal injury caused by accidentally tipping over.



Hardware Provided

a



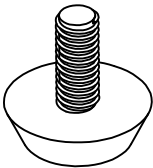
X44+3

b



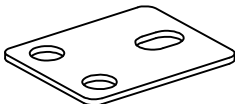
X20+2

c



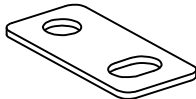
X 4

d



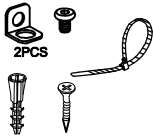
X 8

e

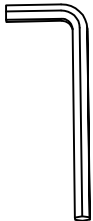


X 1

f

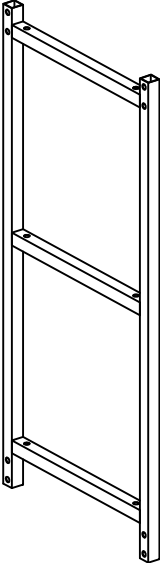
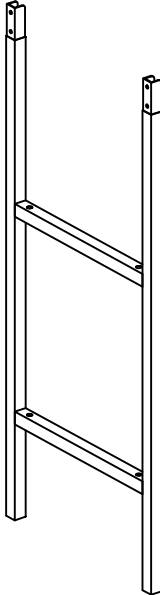
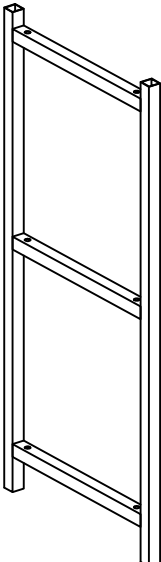
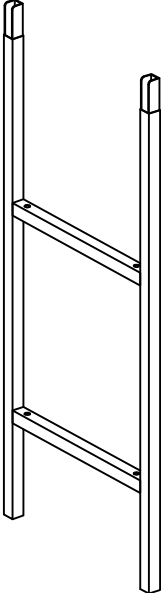
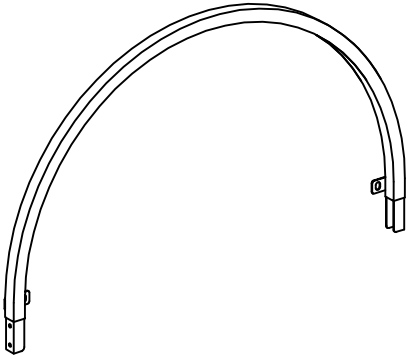
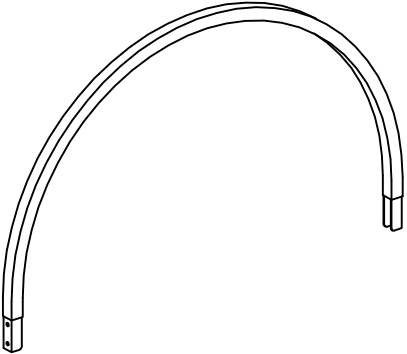


X2



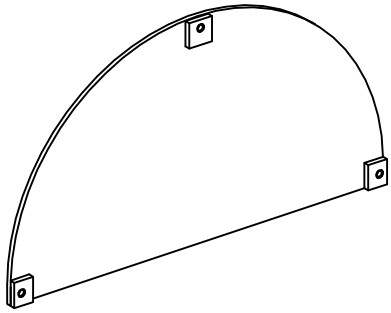
X 1

Parts Identification

<p>1</p>  <p>X 1</p>	<p>2</p>  <p>X 1</p>
<p>3</p>  <p>X 1</p>	<p>4</p>  <p>X 1</p>
<p>5</p>  <p>X 1</p>	<p>6</p>  <p>X 1</p>

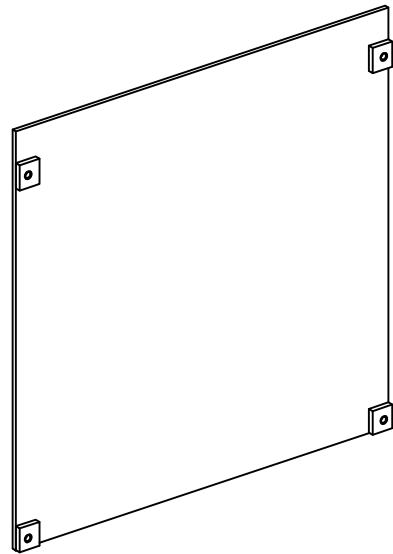
Parts Identification

7



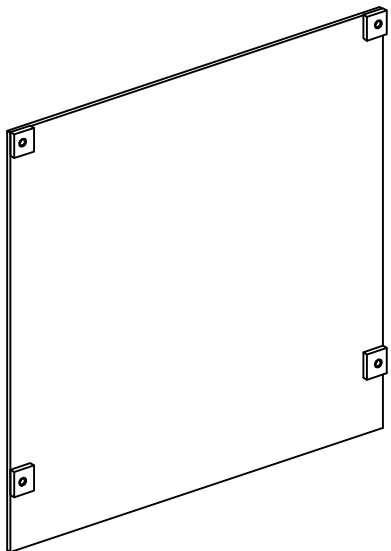
X1

8



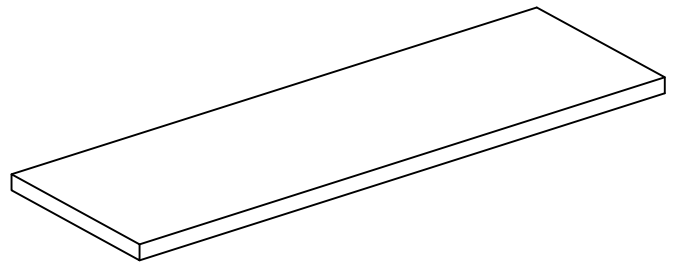
X1

9



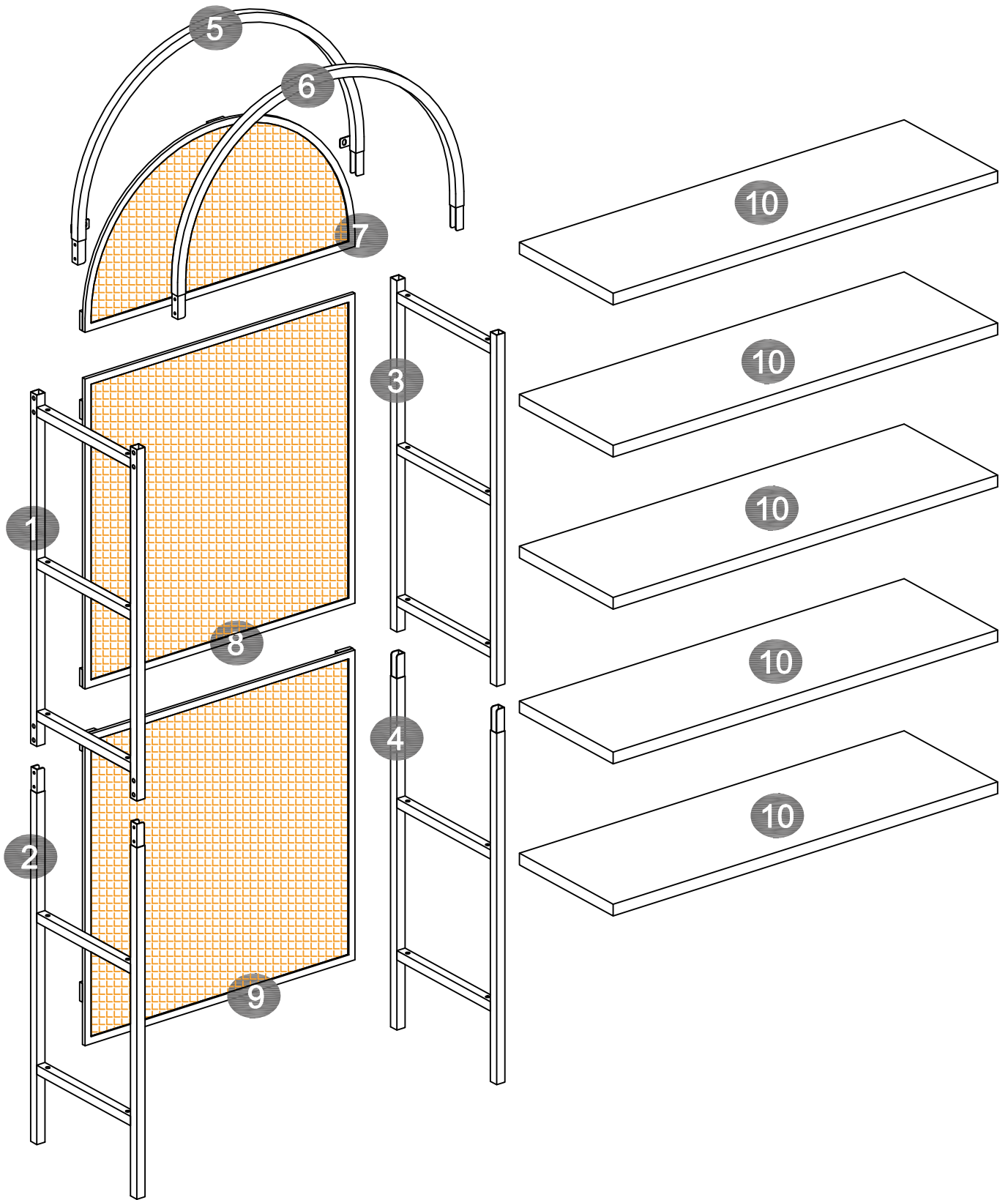
X1

10

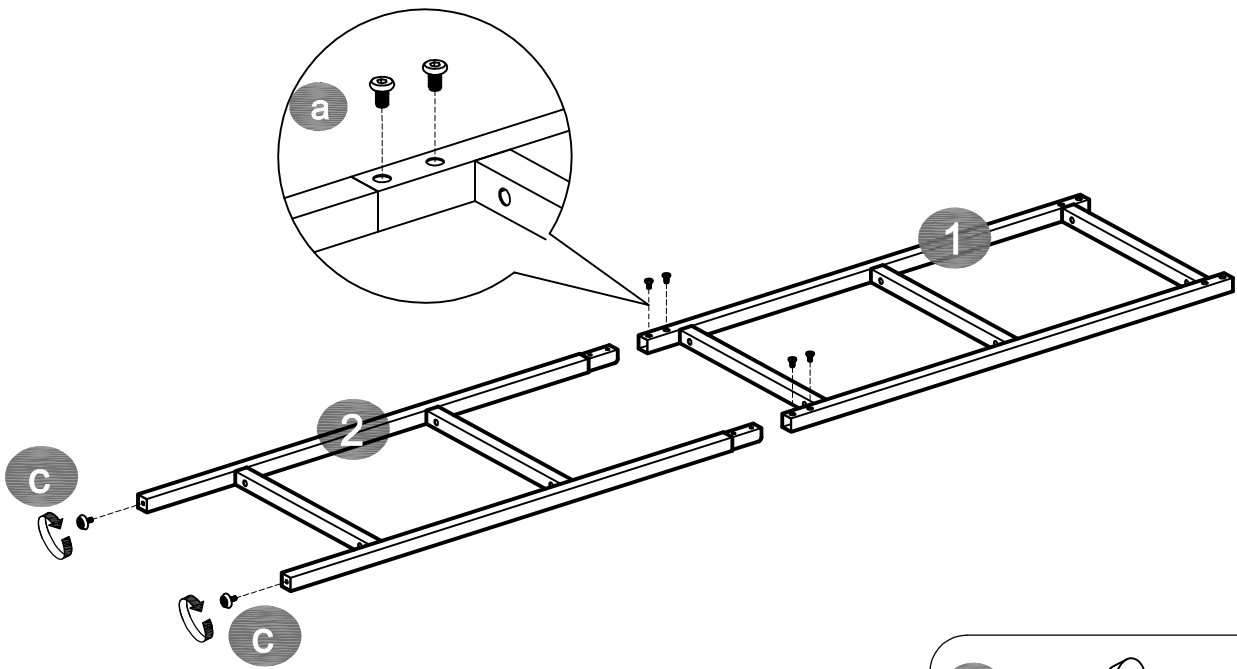


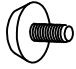
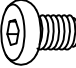
X5

Exploded View

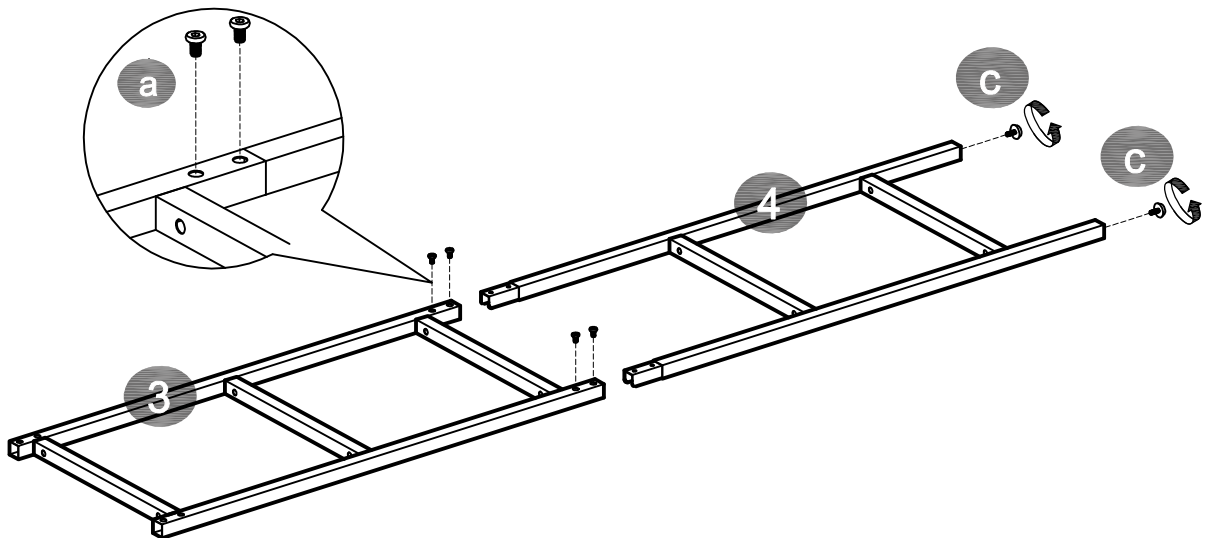


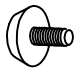
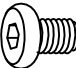
Step 1



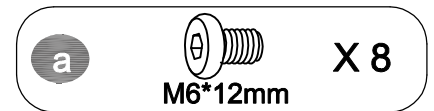
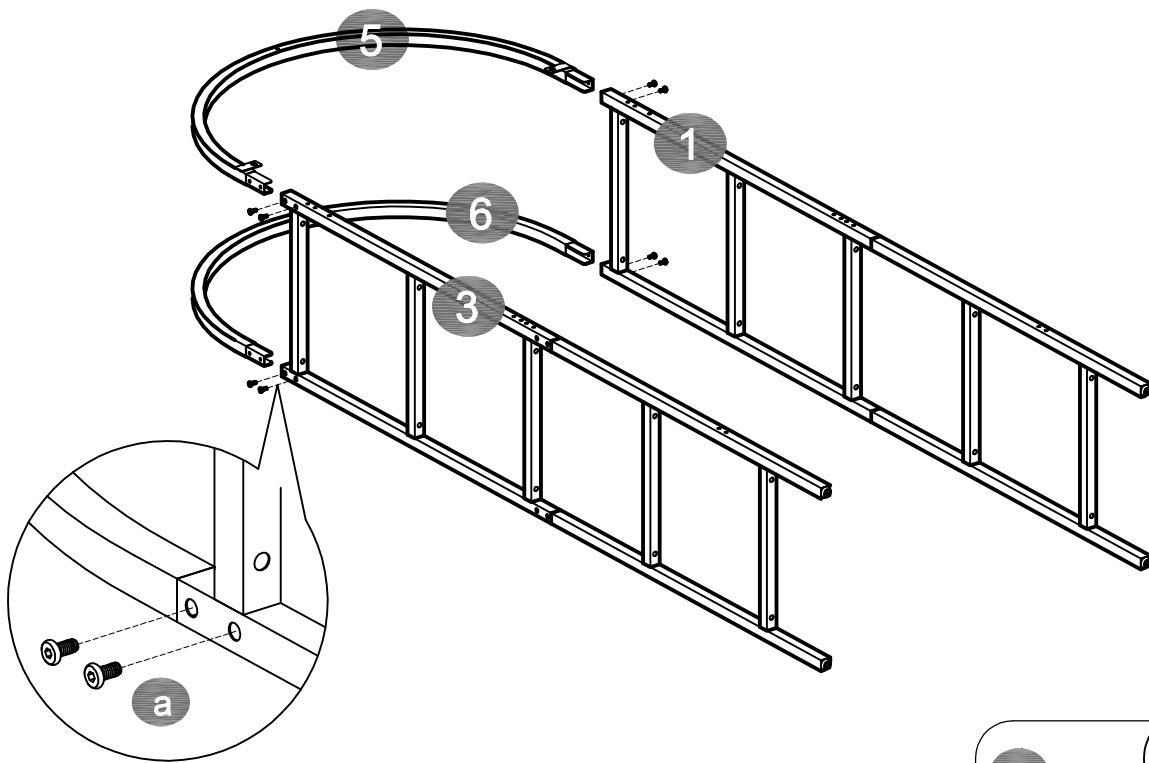
c		X 2
a	 M6*12mm	X 4

Step 2

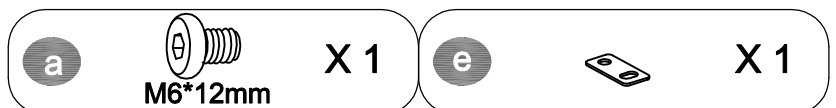
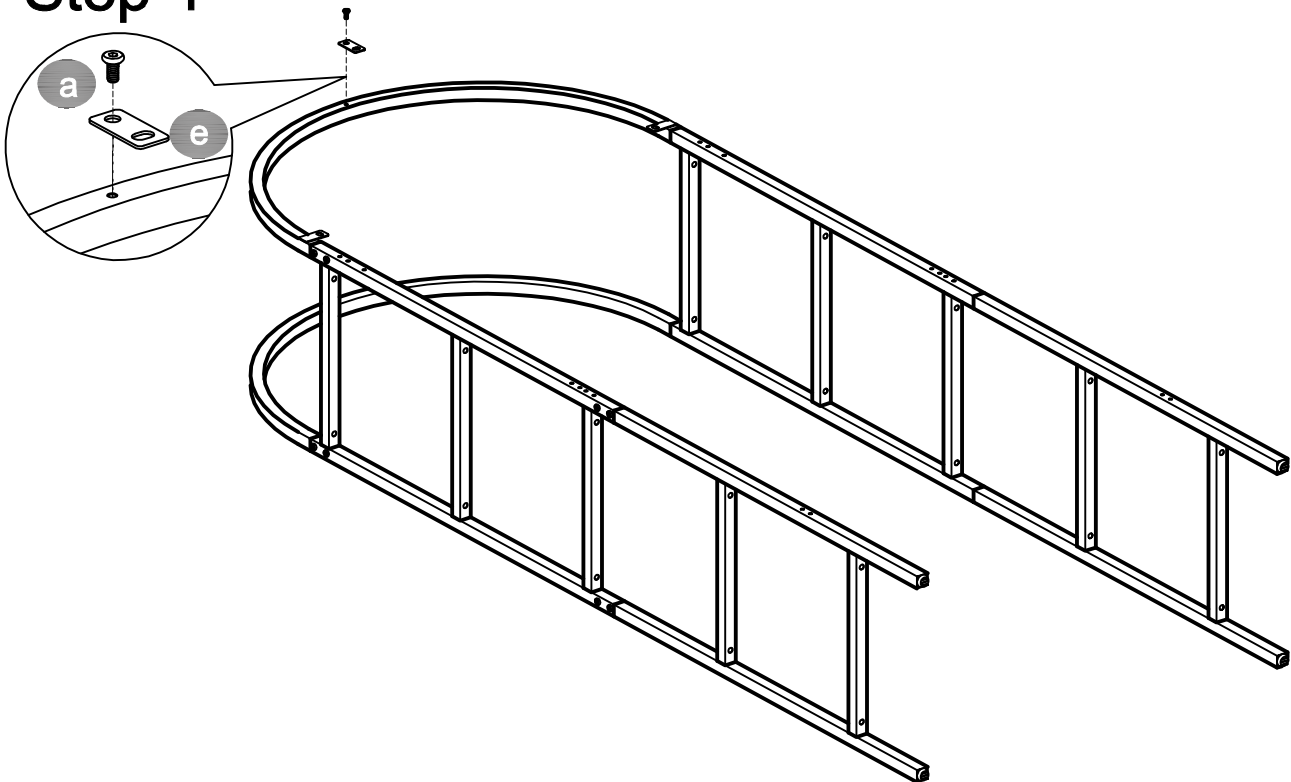


c		X 2
a	 M6*12mm	X 4

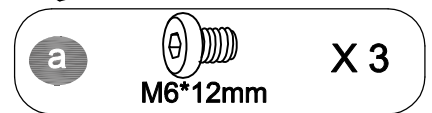
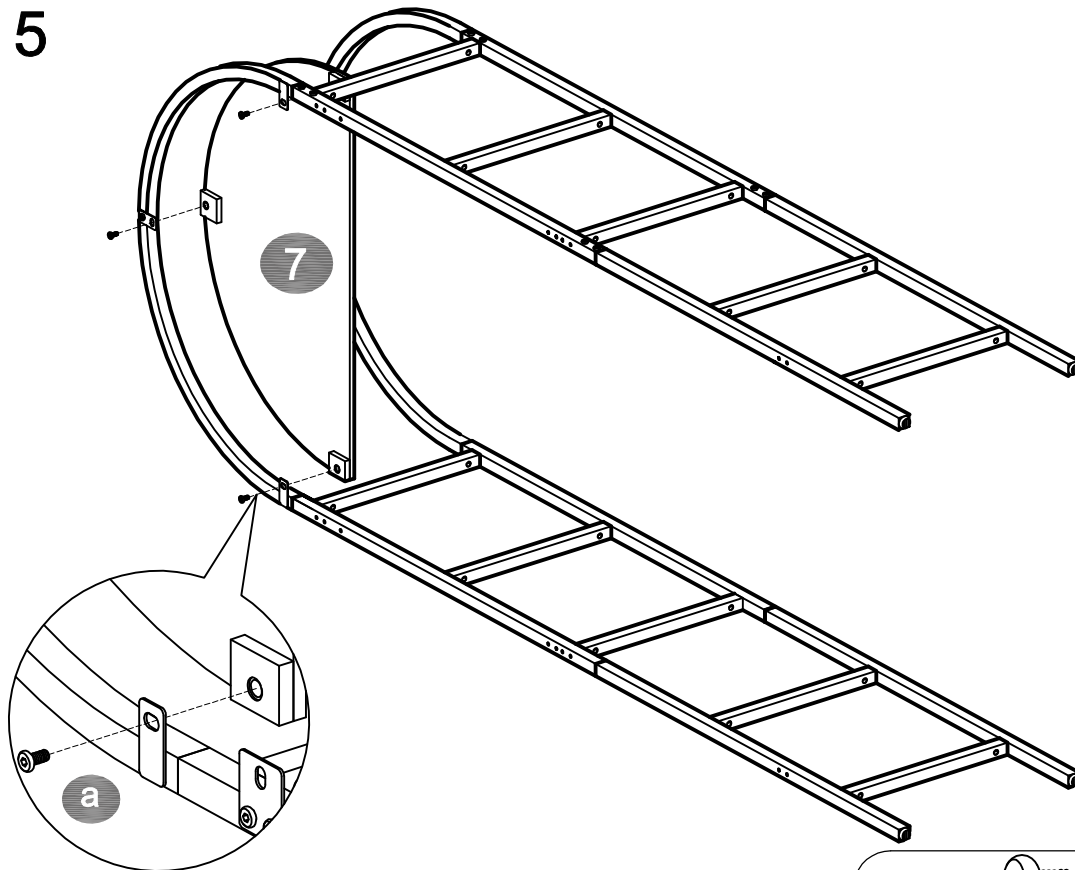
Step 3



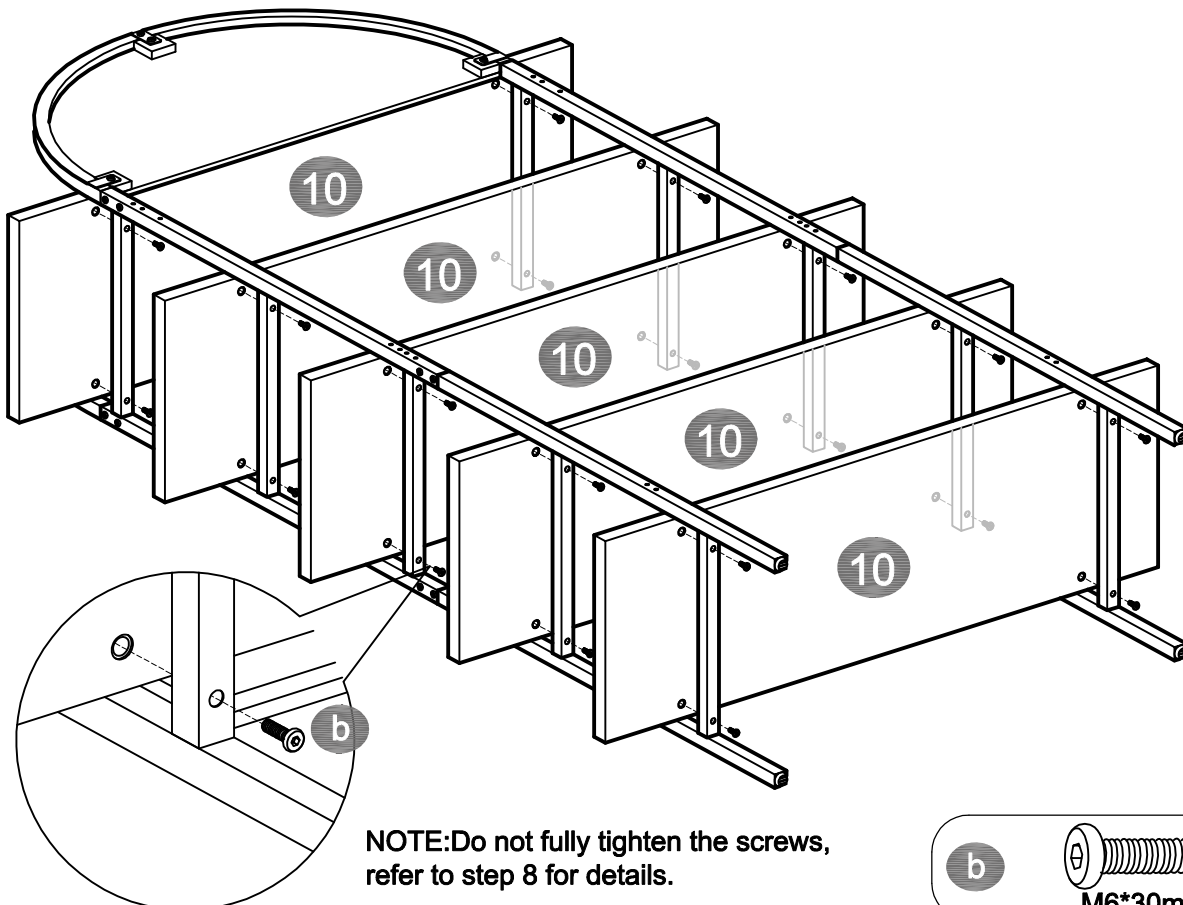
Step 4



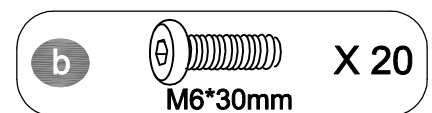
Step 5



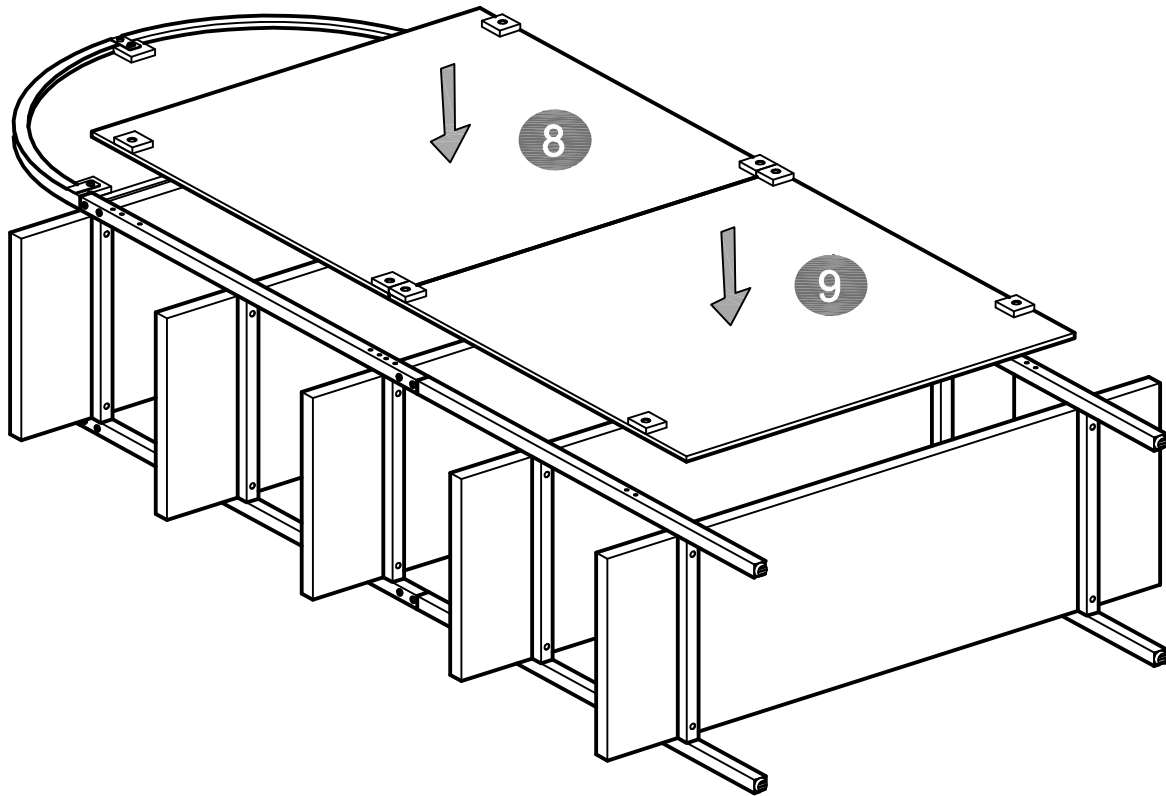
Step 6



NOTE: Do not fully tighten the screws, refer to step 8 for details.

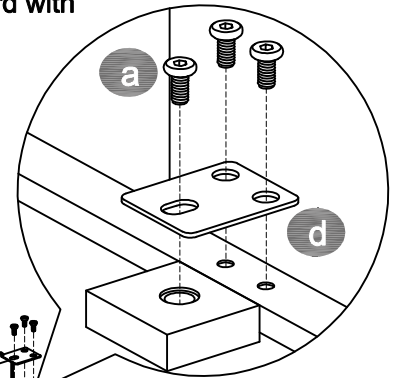
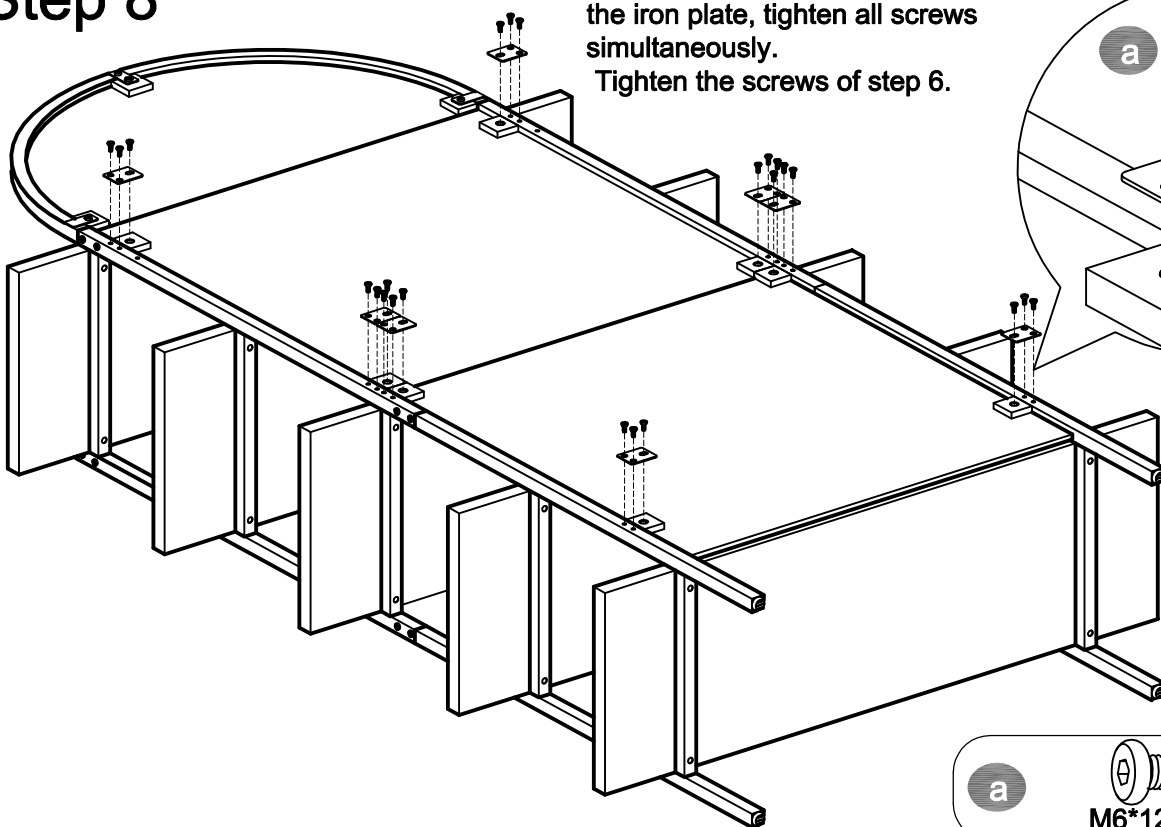


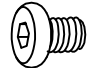

Step 7



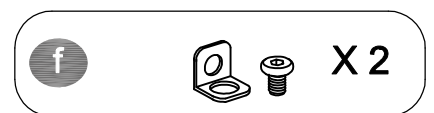
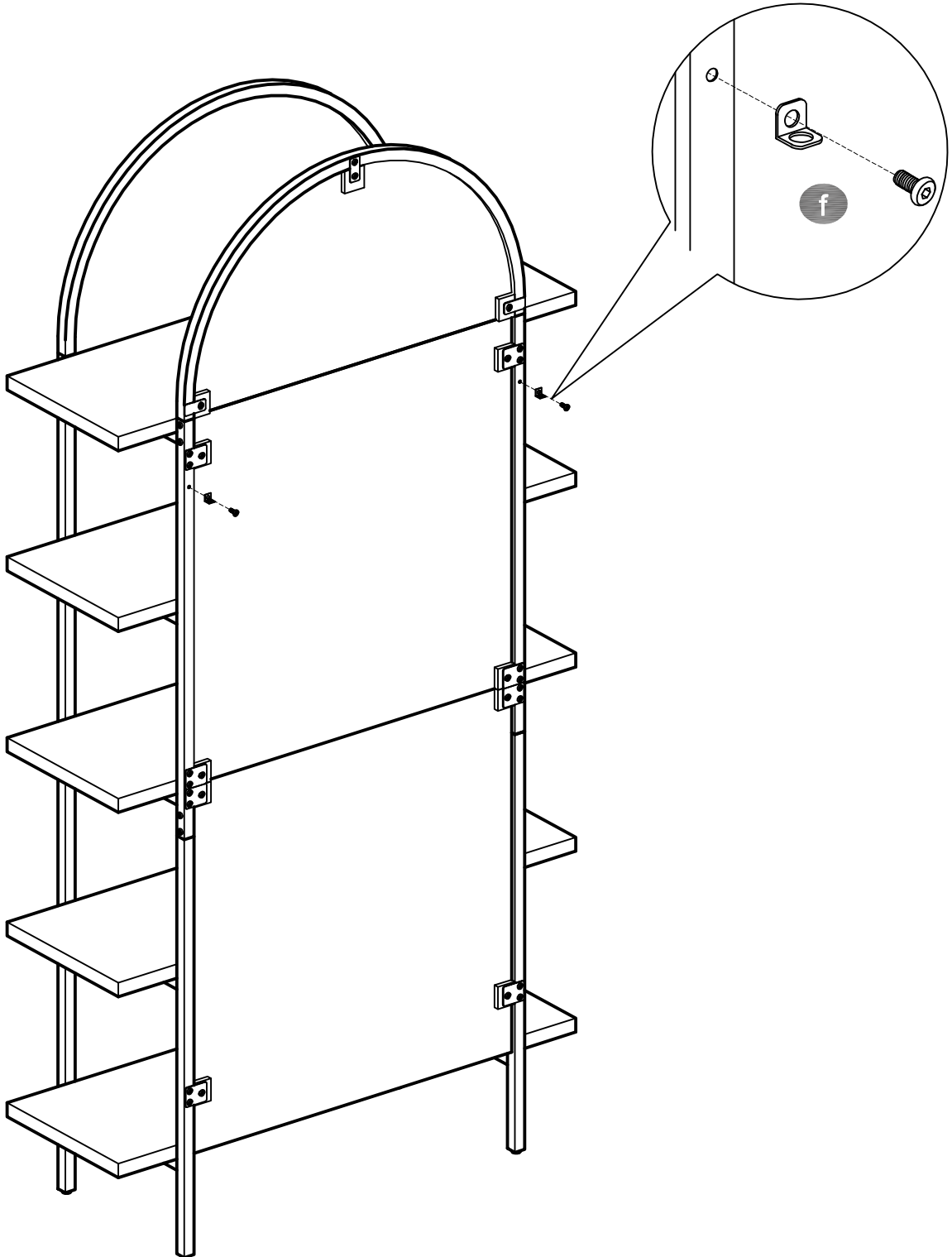
Step 8

NOTE: After aligning the backboard with the iron plate, tighten all screws simultaneously. Tighten the screws of step 6.



a		X 24
	M6*12mm	
d		X 8

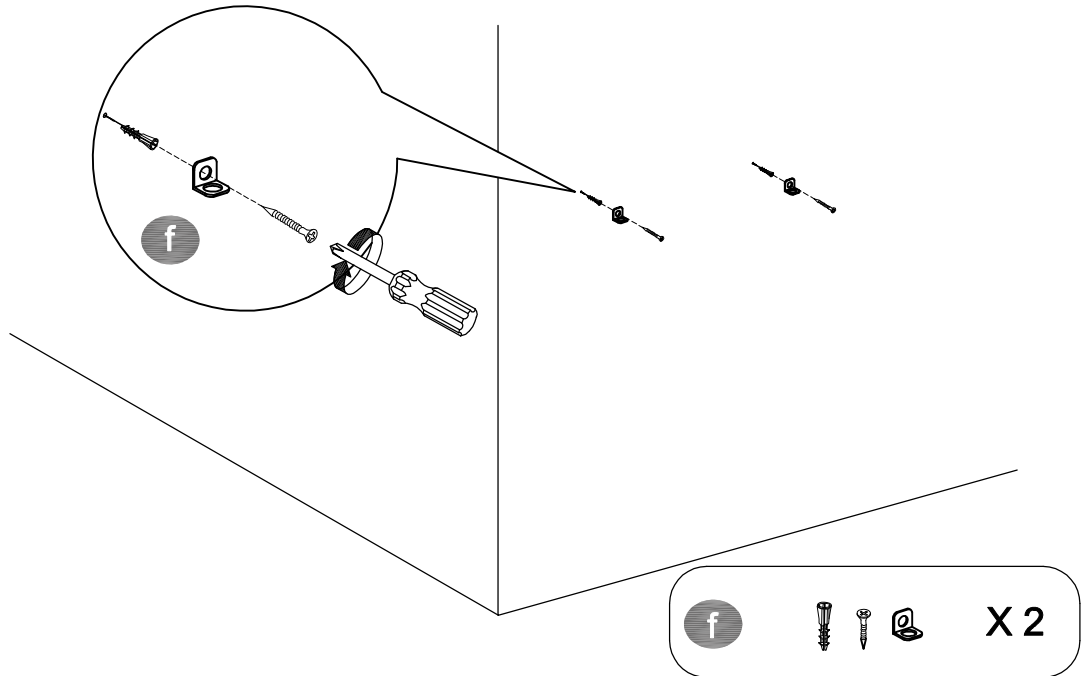
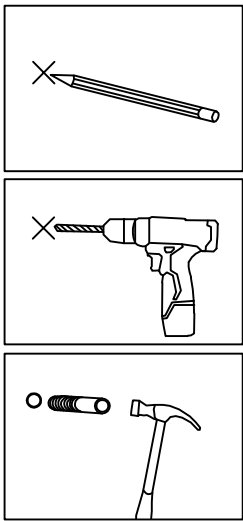
Step 9



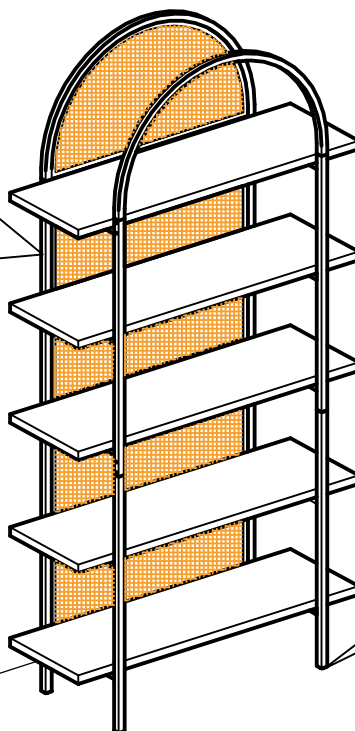
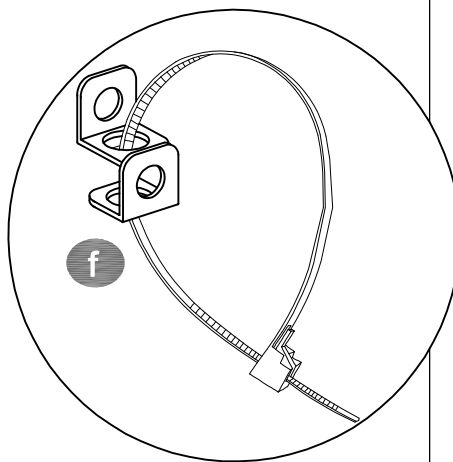
Step 10



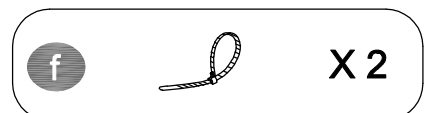
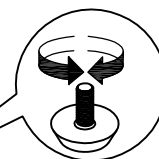
Attention: For safety and stability, we suggest you have to secure the anti-tip accessories to the wall to prevent tipping, injury, and property damage.



Step 11



If the floor is uneven, you can adjust the levelling feet to maintain the stability and balance of this bookshelf.



Step 12

