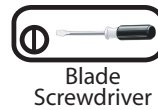
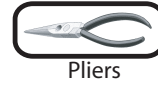


CEILING LIGHT

TOOLS AND MATERIALS REQUIRED:



Wiring supplies as required by electrical code

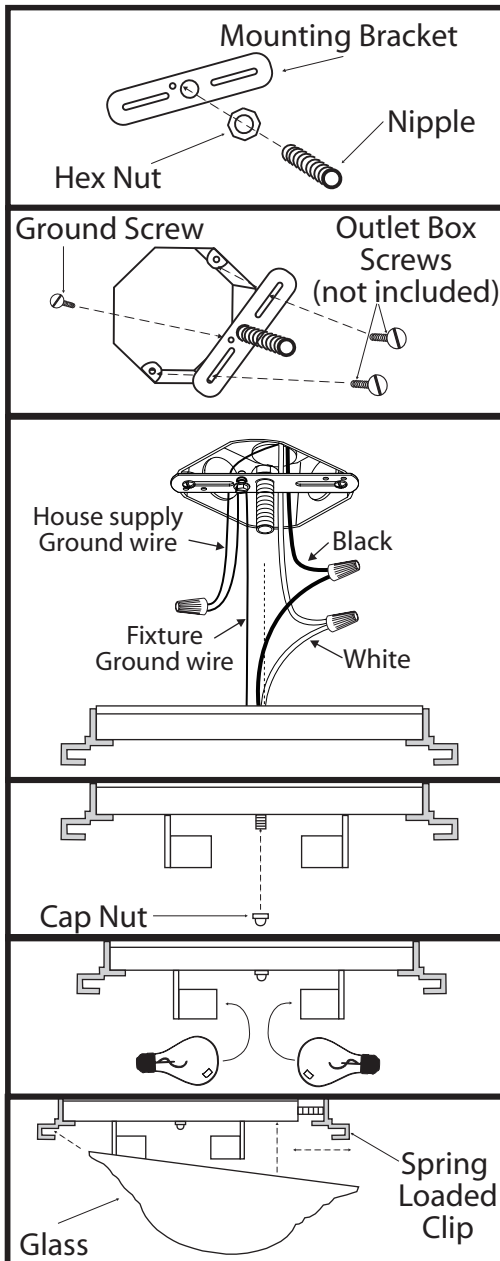


SAFETY PRECAUTIONS:

1. TURN OFF ELECTRICAL POWER BEFORE STARTING INSTALLATION OF LIGHT FIXTURE. DO NOT REMOVE INSULATION FROM FIXTURE.
2. THIS PRODUCT MUST BE INSTALLED IN ACCORDANCE WITH THE APPLICABLE INSTALLATION CODE BY A PERSON FAMILIAR WITH THE CONSTRUCTION AND OPERATION OF THE PRODUCT AND THE HAZARDS INVOLVED.
3. CAUTION – RISK OF FIRE. CONSULT A QUALIFIED ELECTRICIAN TO ENSURE CORRECT BRANCH CIRCUIT CONDUCTOR.
4. FIRMLY ATTACH THE FIXTURE GROUND WIRE (BARE COPPER) TO THE MOUNTING BRACKET WITH THE GROUND SCREW (BY WRAPPING AROUND THE GROUND SCREW) AND THEN CONNECT IT TO THE HOUSE SUPPLY GROUND WIRE WITH A WIRE NUT.

NOTE: Product May Not Look Exactly As Shown In Figures.

INSTALLATION: Note: Your fixture may have either one or two sockets depending on the model.



1. Install nipple to mounting bracket and lock in place with hex nut. Nipple must be adjusted to clear the hole in the center of the Fixture.

2. Attach mounting bracket to wiring box with wiring box screws (not included). Start ground screw into mounting bracket.

3. Firmly attach the fixture ground wire (bare copper) to the mounting bracket with the ground screw (by wrapping around the ground screw) and then connect it to the house supply ground wire with a wire nut. Connect the black wire (or wire with marking) from the fixture to the black wire in the electrical box and connect the white wire from the fixture to the white wire in the electrical box.

4. Once connections of wires are completed, carefully tuck wires and wire nuts into the outlet box making sure no bare wire (on the black and white) is visible at the wire nuts. Align the center hole in the fixture with the nipple in the mounting bracket. Secure the fixture in place with a cap nut.

5. Install proper bulb type and wattage (not included).

6. Install the glass shade by pulling the decorative clip that is spring loaded outward. Position the edge of the glass into the other two clips