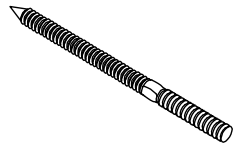
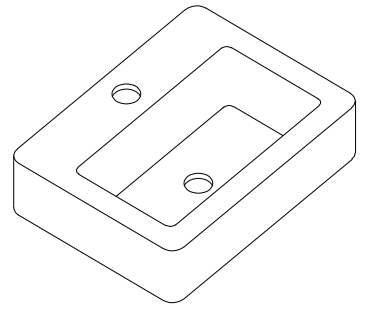


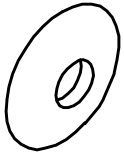
X4



X4



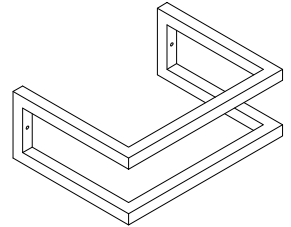
X1



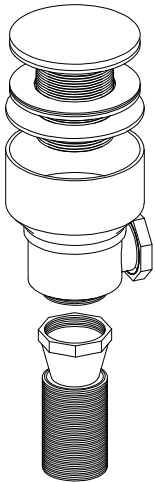
X4



X4



X1



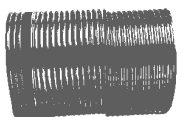
X1



X1



X1



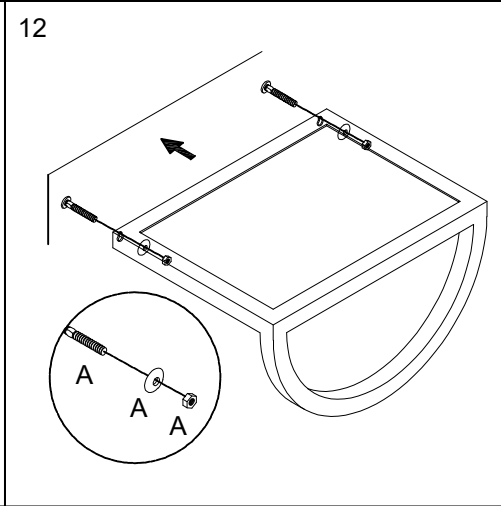
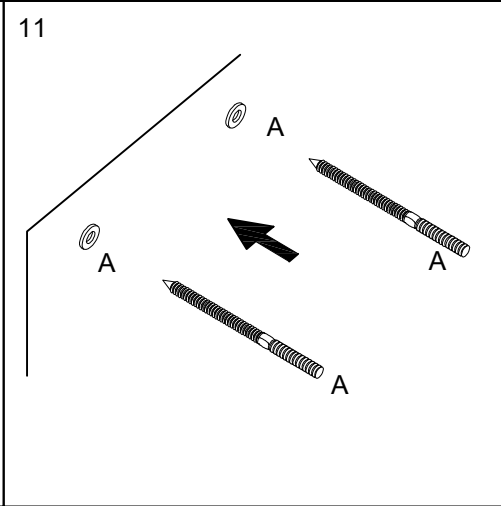
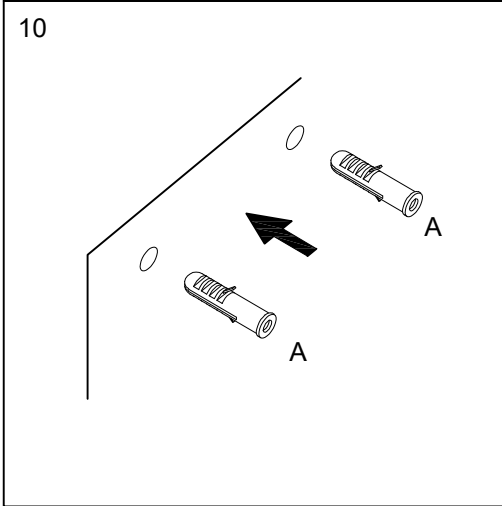
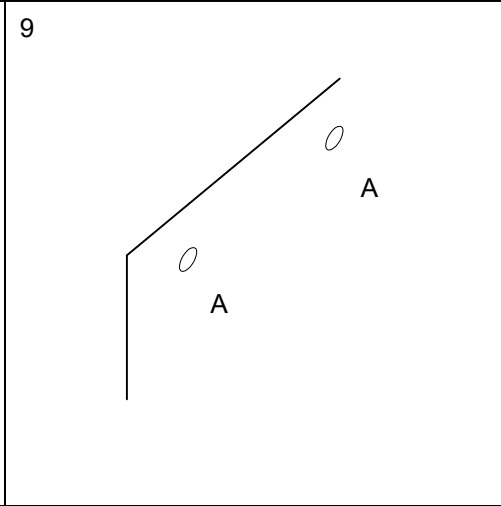
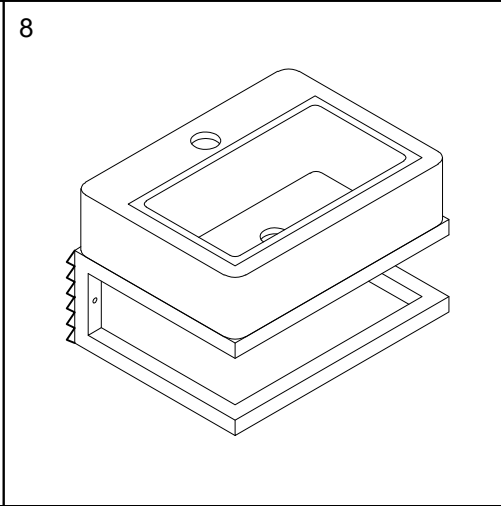
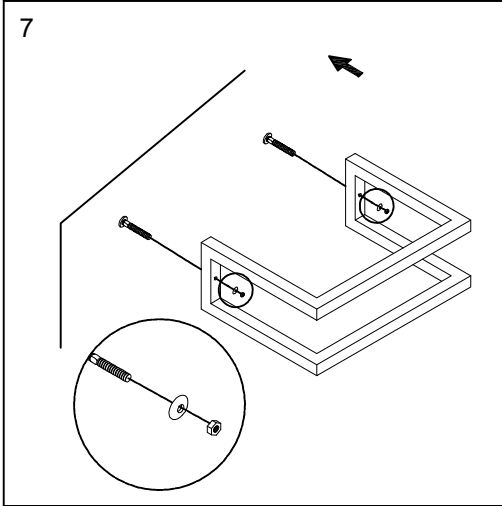
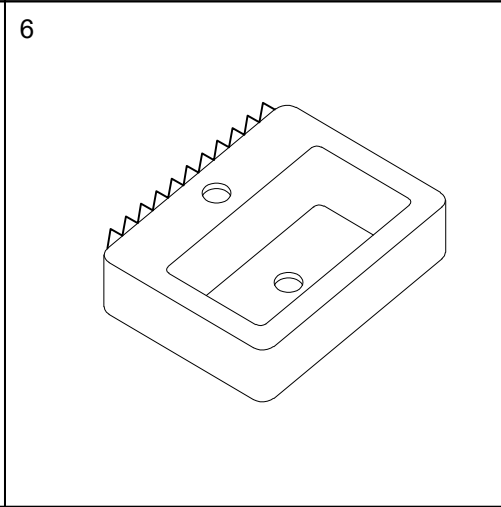
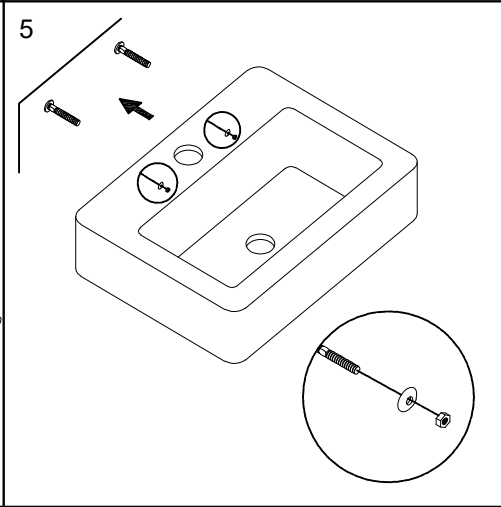
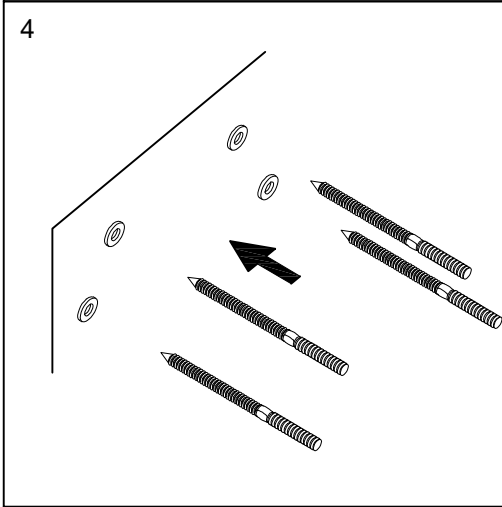
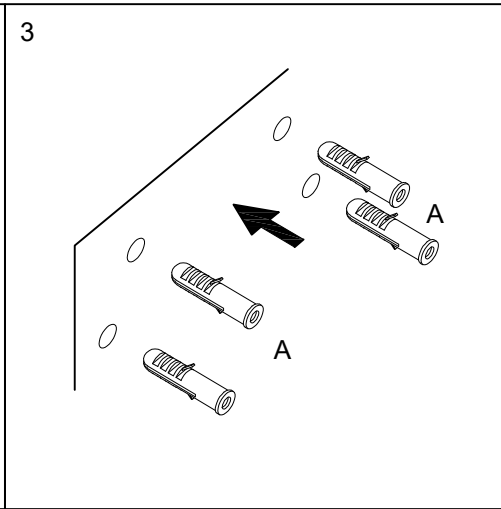
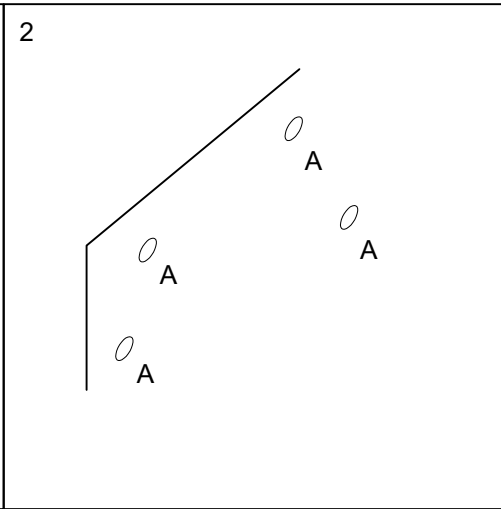
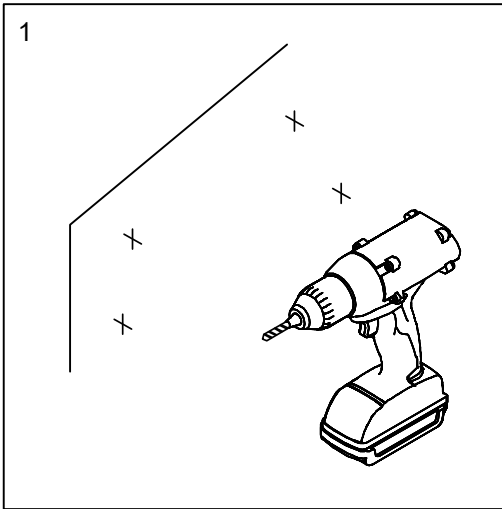
X1



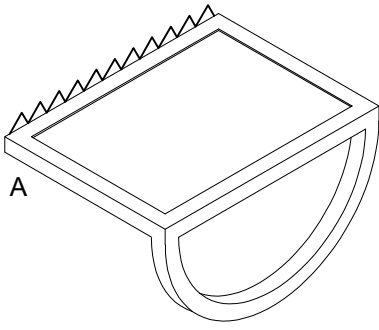
X1



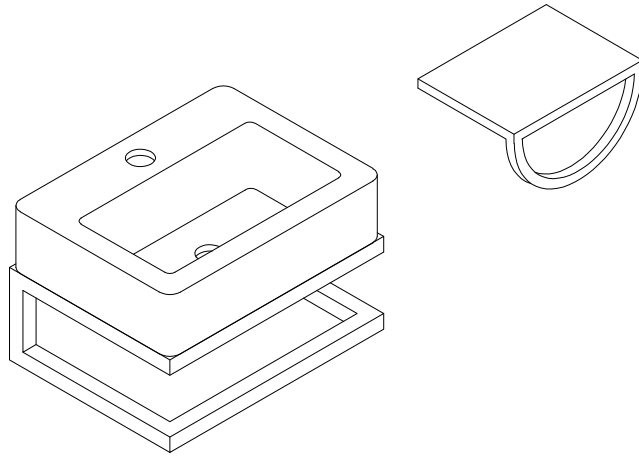
X1



13



14

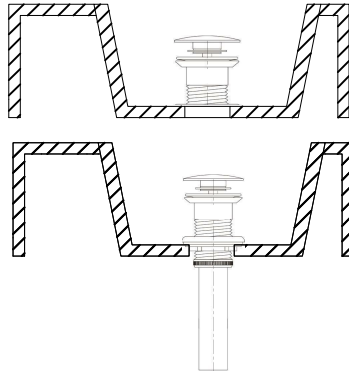


15



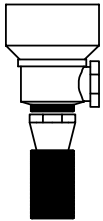
- \* Clean the contact surface before installation
- \* This item is not supposed to be twisted with any wrench
- \* Do not use polishing powder or other detergent with powders to clean the pop-up drain

16

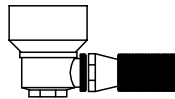


1. Align the upper gasket onto the top flange
  2. Tape some thread seal tape onto the interface of the tailpiece, and connect it to the top flange
  3. Insert the pop-up drain body up through the bottom of the sink
- 
1. Align the bottom gasket as well as the lock nut onto the tailpiece
  2. Place the drain body at the proper position, and then tighten up the lock nut

17

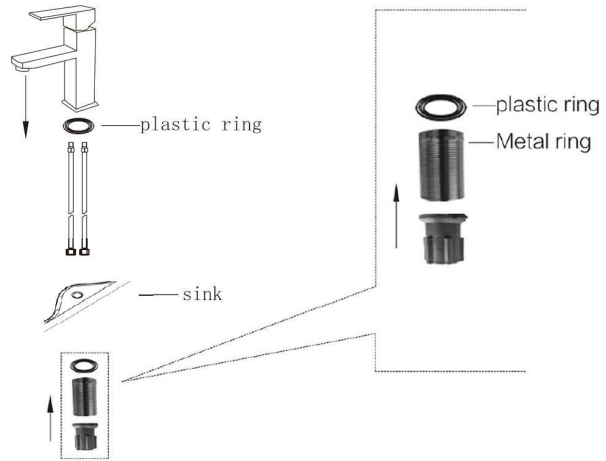


MODEL1



MODEL2

18



17

### Tip&Warnings

Don't over-tighten the waterlines. It could damage the faucet.

Certain dimensions of your vanity must be exact.

The diameter of the taping hole needs to be 13/8 in.

The gap between the taping hole and the drain hole needs to be 10 3/4 in.

