

# Bunk Bed

### Tips!

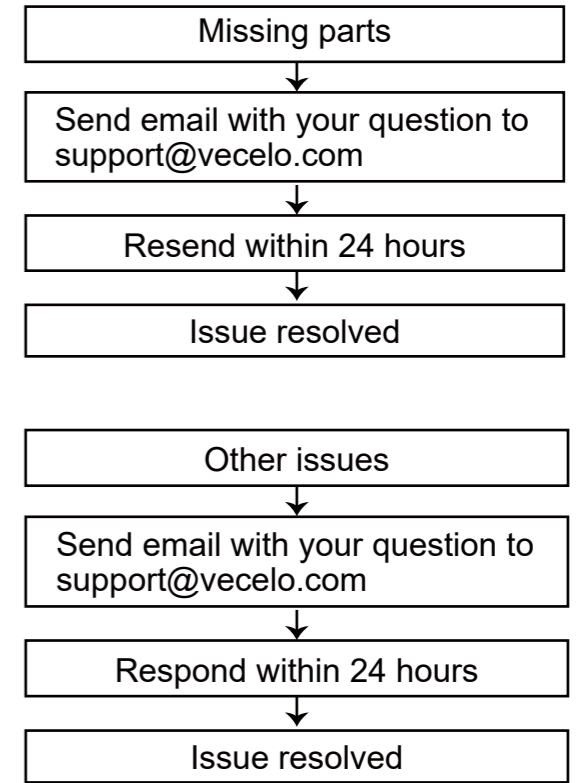
Check all the components & screws before assembly. **Do not install in case part is missing, contact us to get.** Send email with your question to support@vecelo.com. We will resend within 24 hours.

### Return Policy

We believe you will absolutely love your new item. But if for some reason you want to return, please contact us directly before you decide to return your product. Our customer service organization can answer most concerns and assist you with any questions you may have about your new item, please email us first at: support@vecelo.com.

The item must be returned within 30 days of delivery for a full refund. The item must be returned in good condition, in original box, with all original proof of purchase, parts and accessories.

### Trouble shooting:

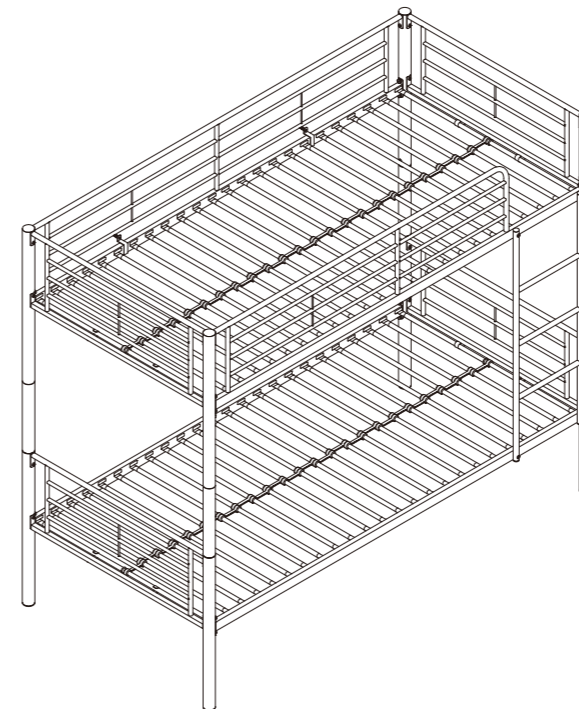


We control manufacturing and distribution ourselves, ensure the quality.

## How to find us?

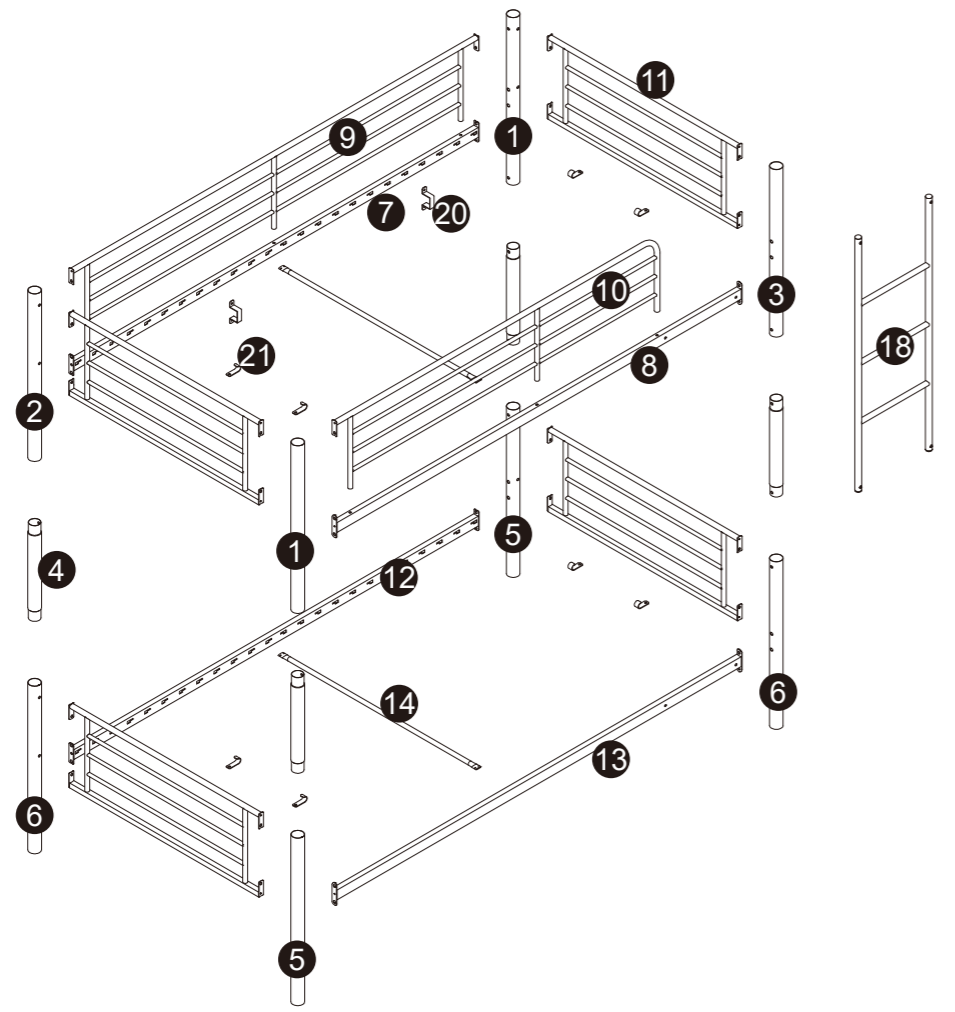
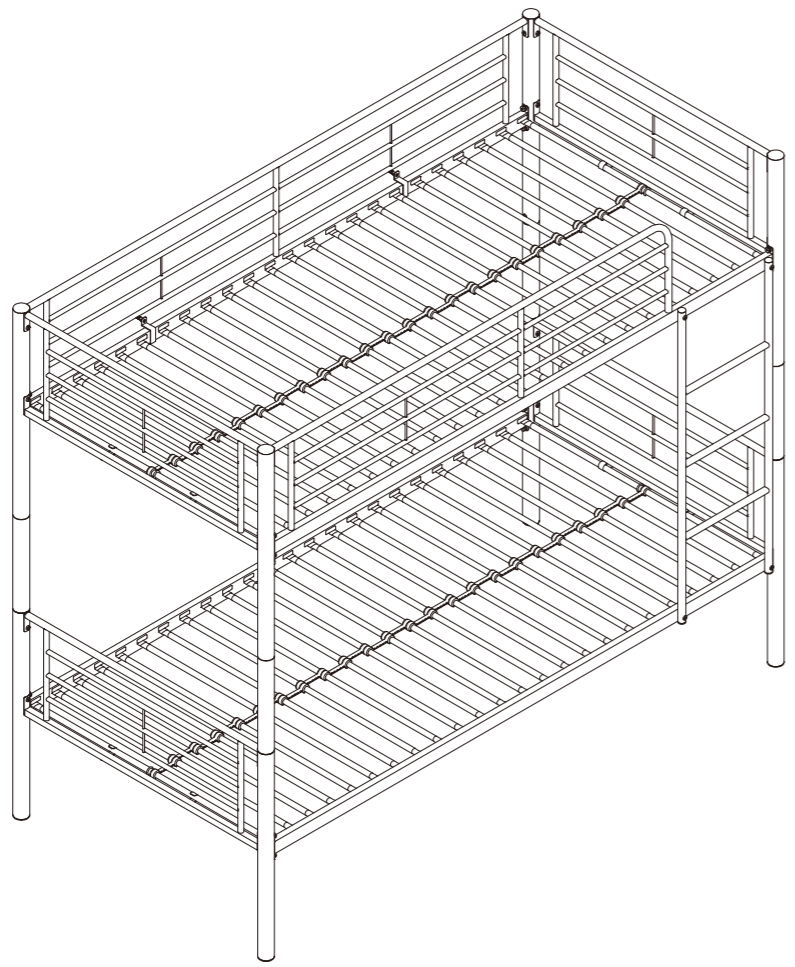
Email: [support@vecelo.com](mailto:support@vecelo.com)

Website: [www.vecelo.com](http://www.vecelo.com)

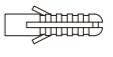
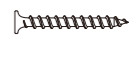


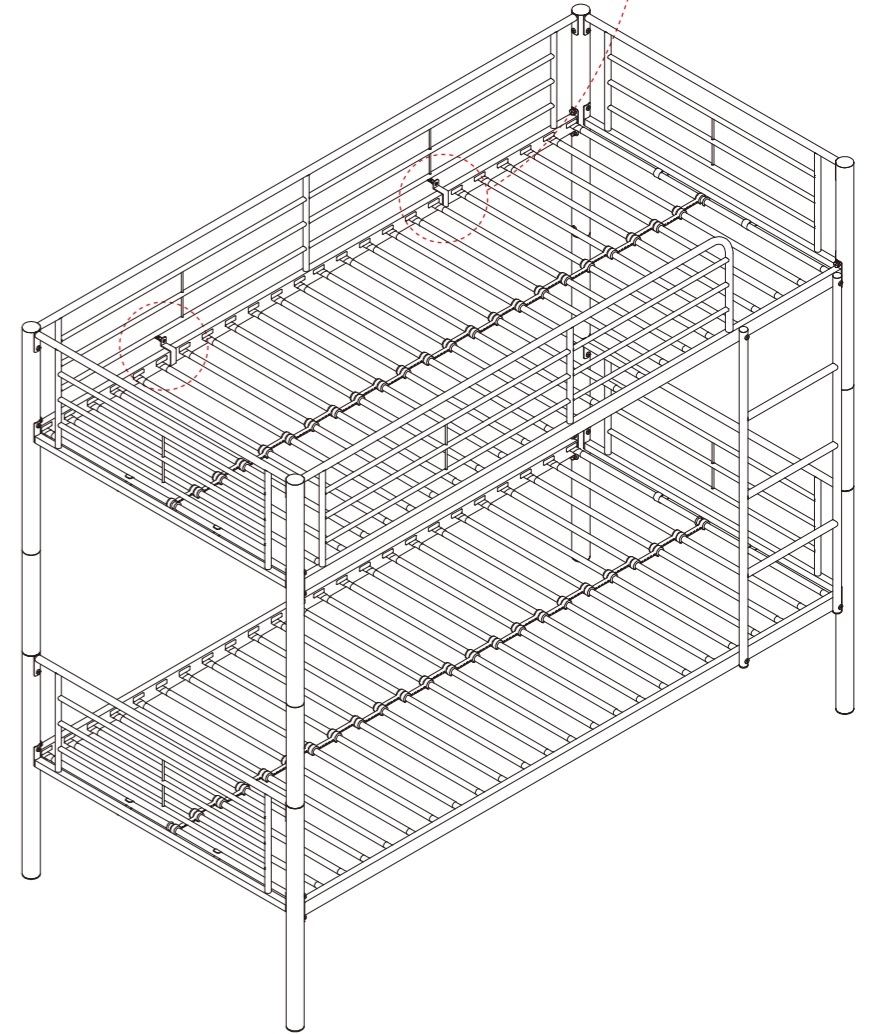
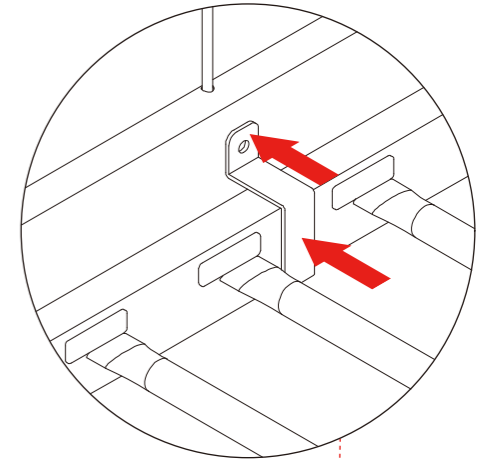
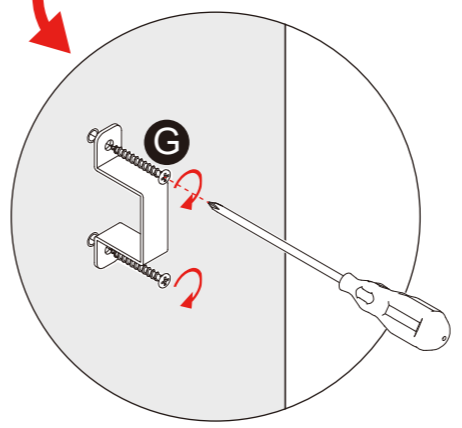
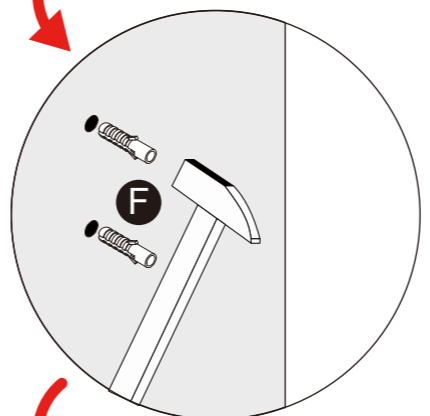
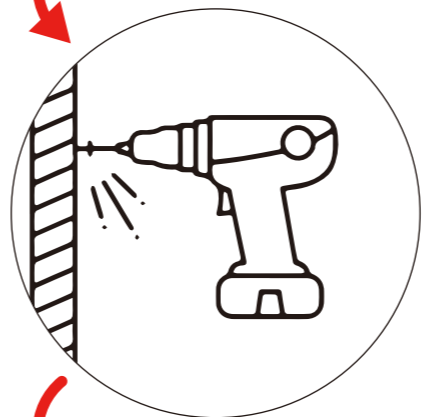
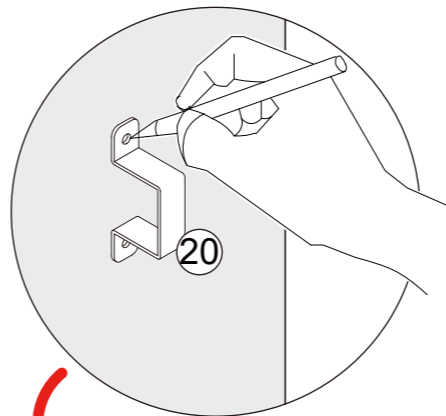
Item Description:           Bunk Bed          

Model NO:                   WR-NO.1



# Step 19

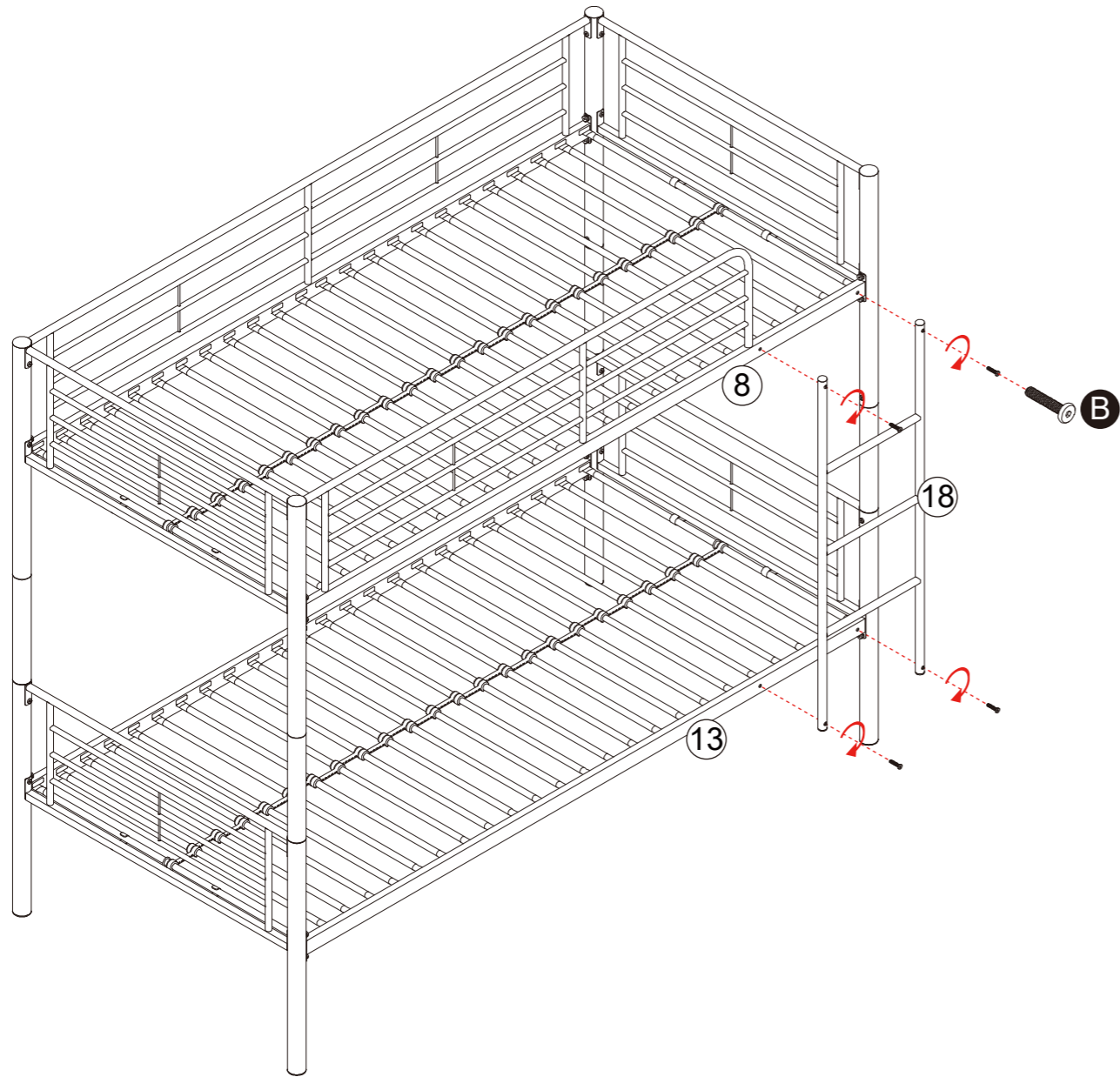
 F x 4  G x 4

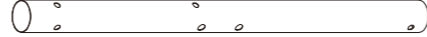




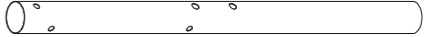
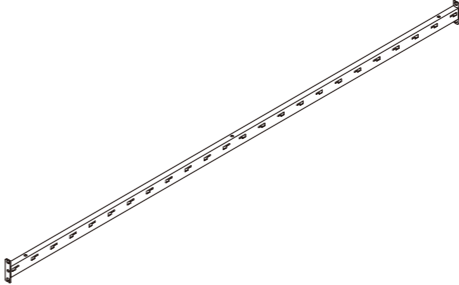
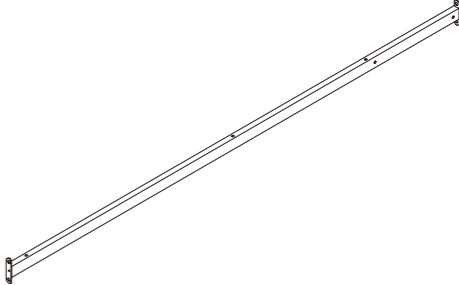
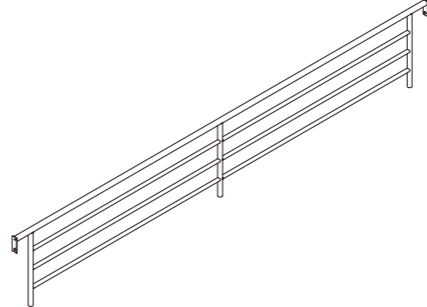
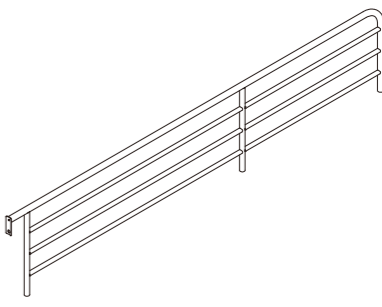
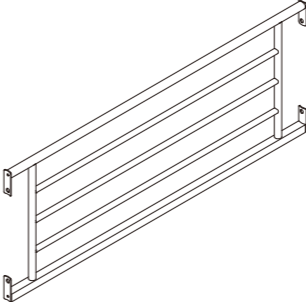
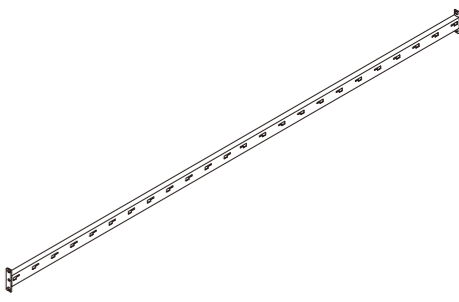


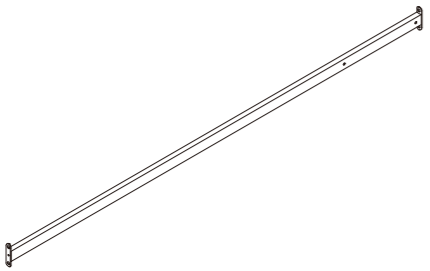
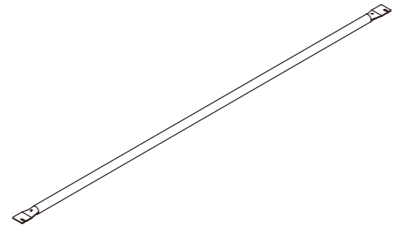
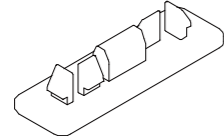
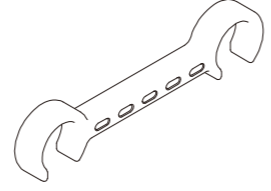

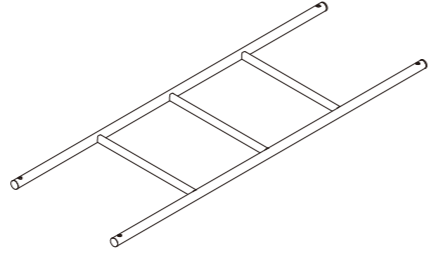
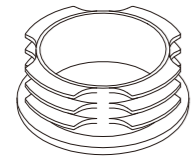
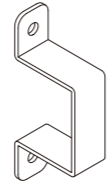
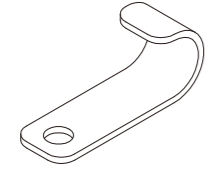
## COMPLETD

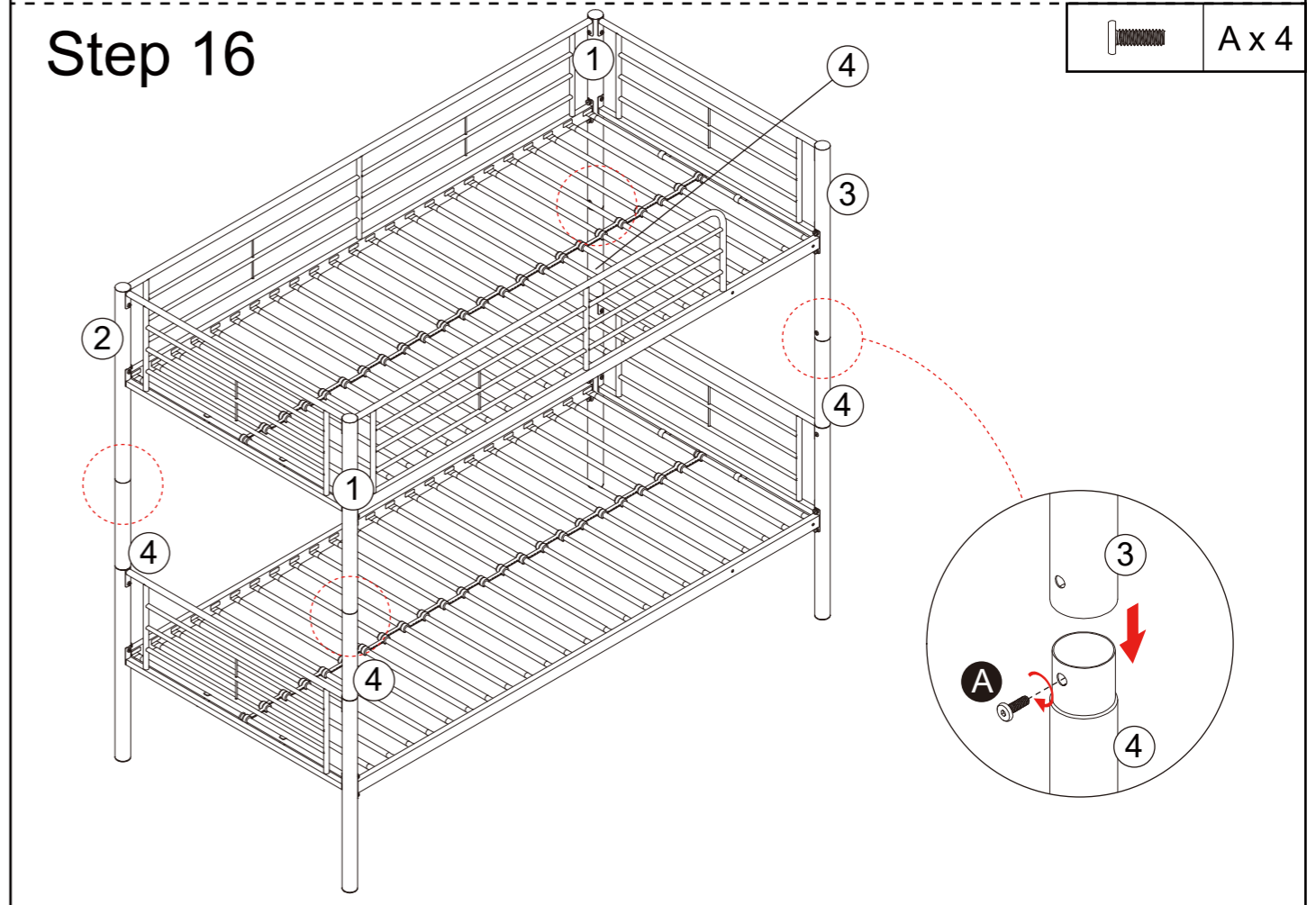
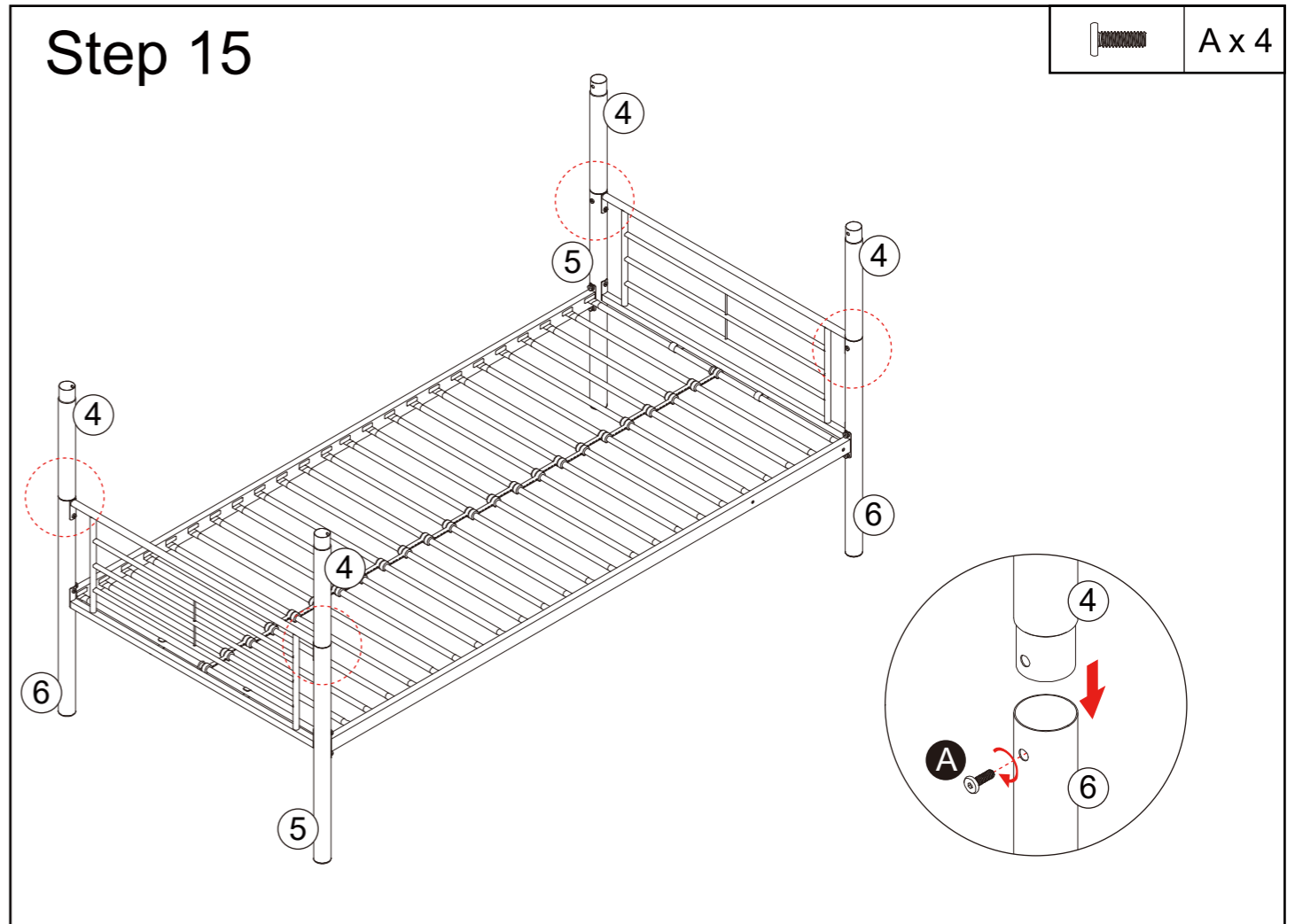
# Step 17

 B x 4



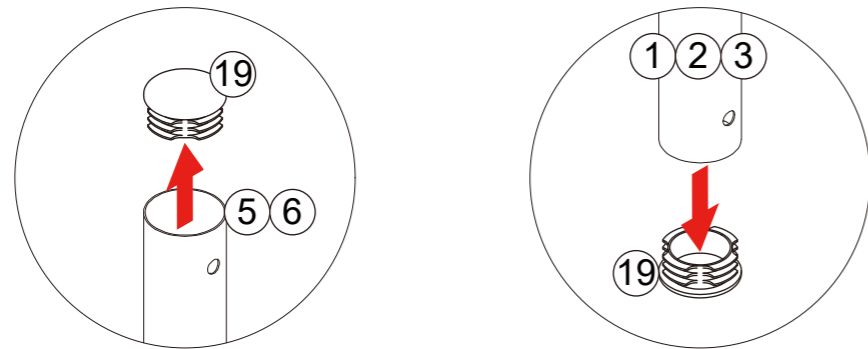
Components					
1		2	2		1
3		1	4		4
5		2	6		2
7		1	8		1
9		1	10		1
11		4	12		1

Components					
13		1	14		48
15		96	16		46
17		48	18		1
19		8	20		2
21		8			

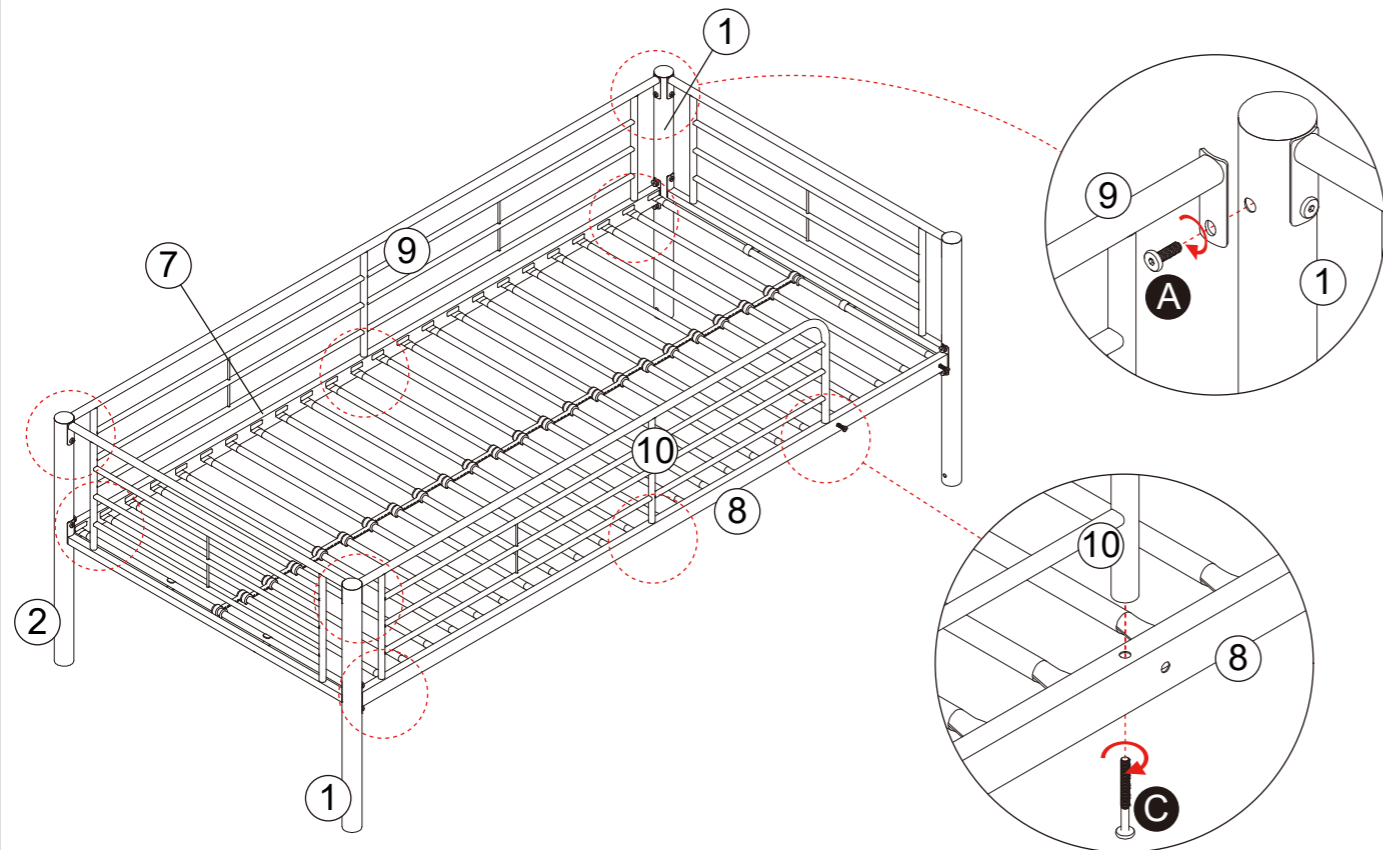
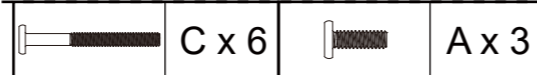


# Step 13

The next step is the assembly of bunk bed, please remove the previously installed plugs.  
 (If you have not installed them before, please ignore this step.)

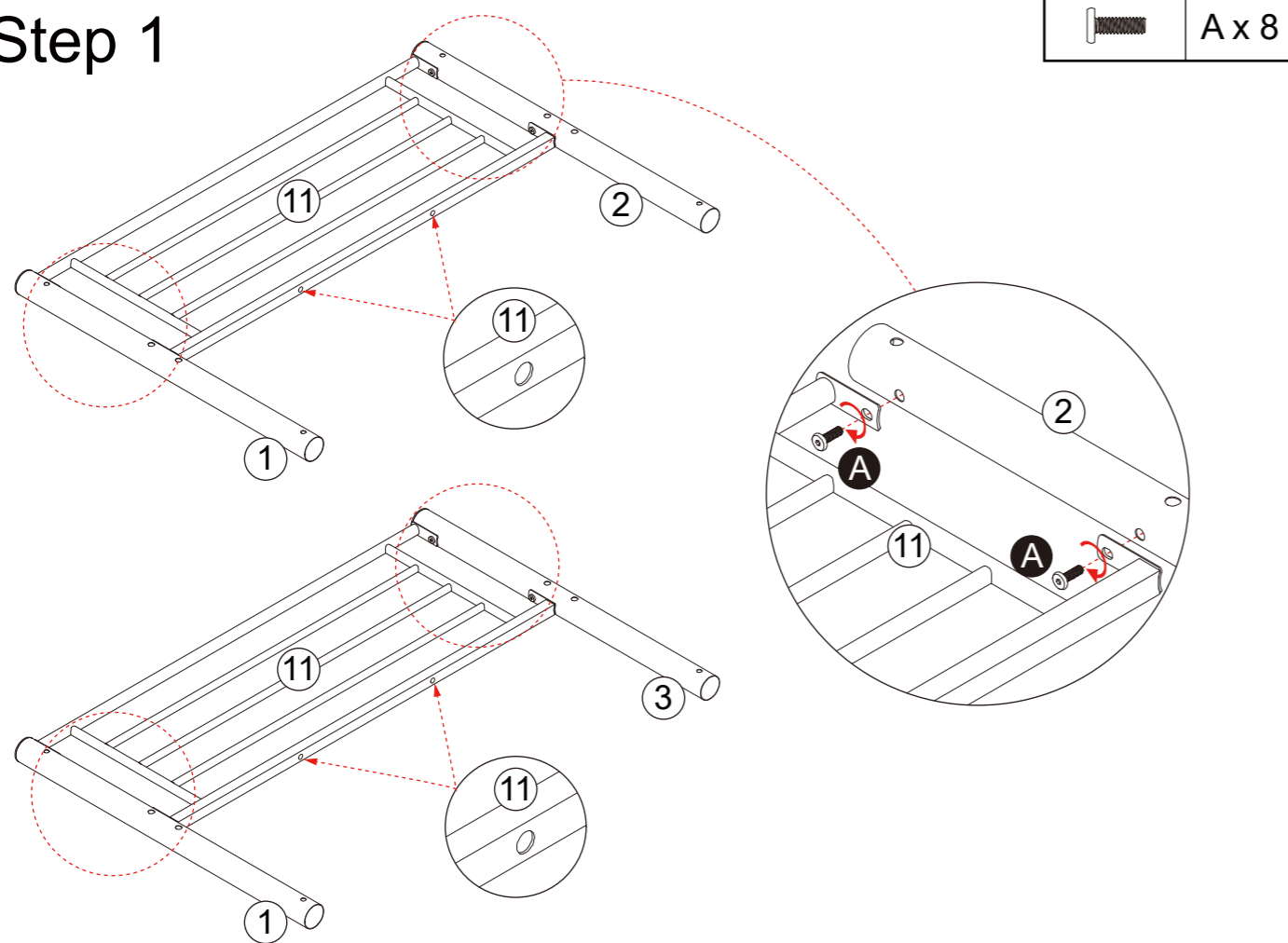


# Step 14

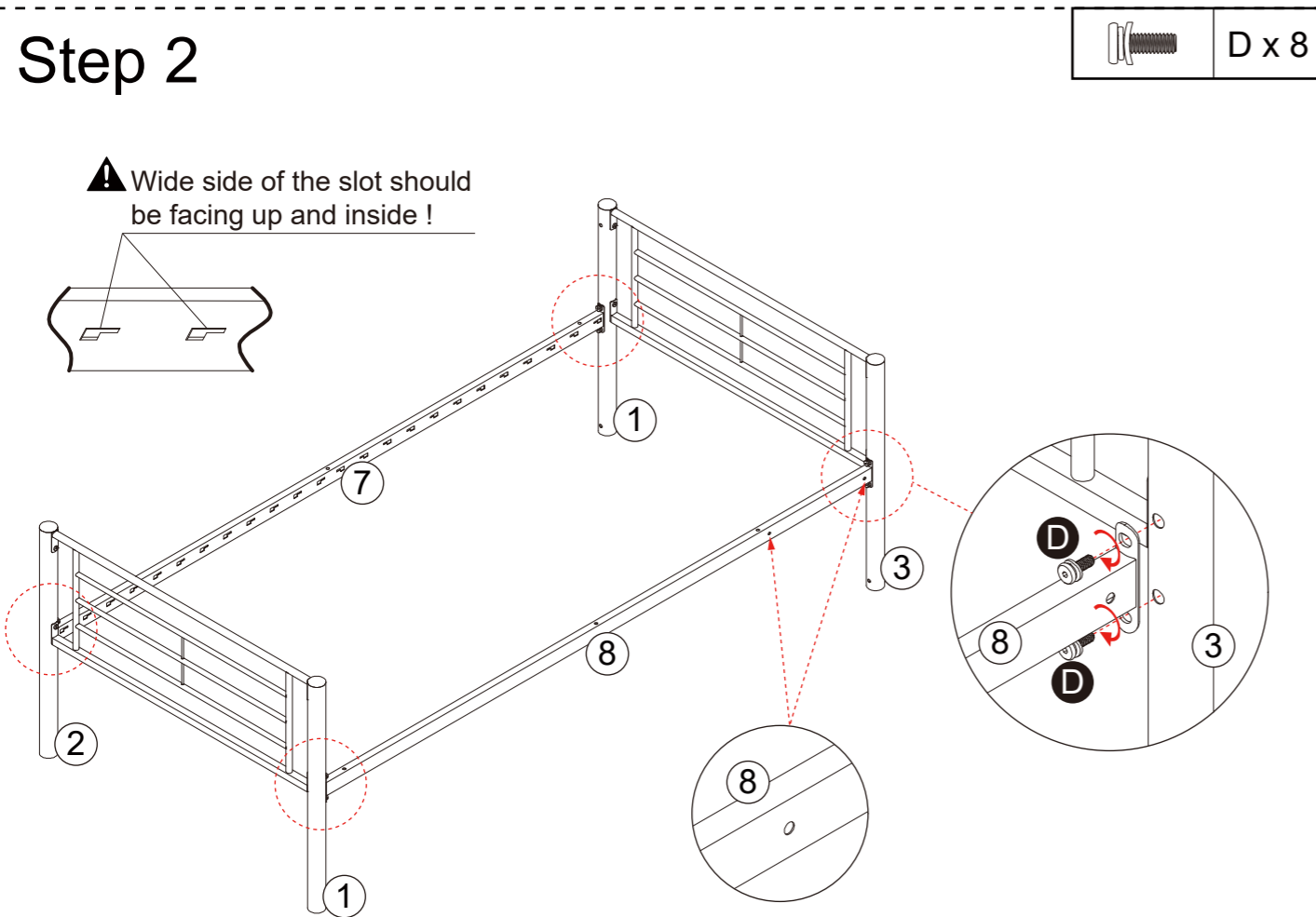


Screw & Tools					
A		35	B		4
	1/4*19mm			1/4*35mm	
C		6	D		16
	1/4*55mm			5/16*22mm	
E		1	F		4
	M4*100mm			6mm	
G		4			
	M5*40mm				

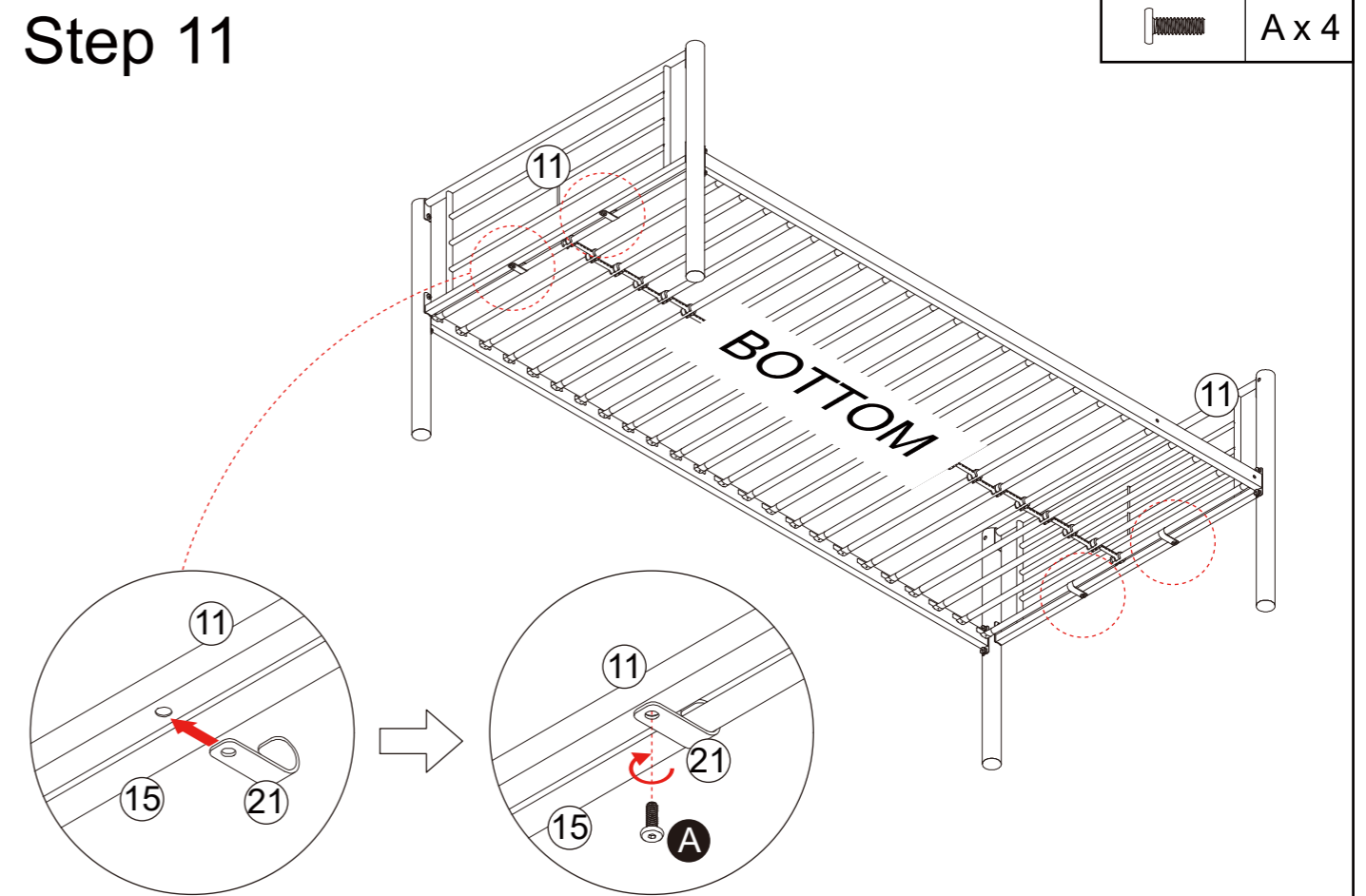
# Step 1



# Step 2

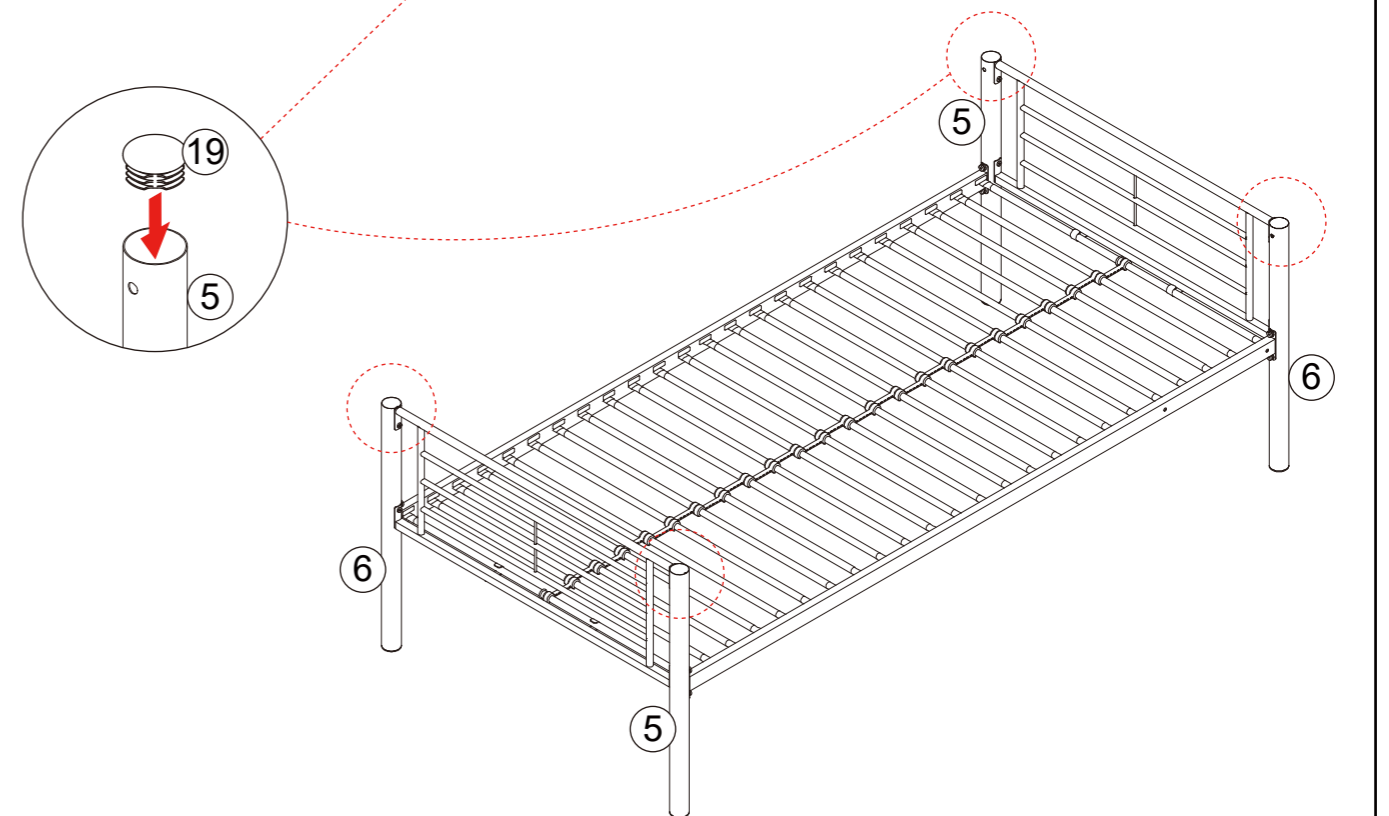


# Step 11

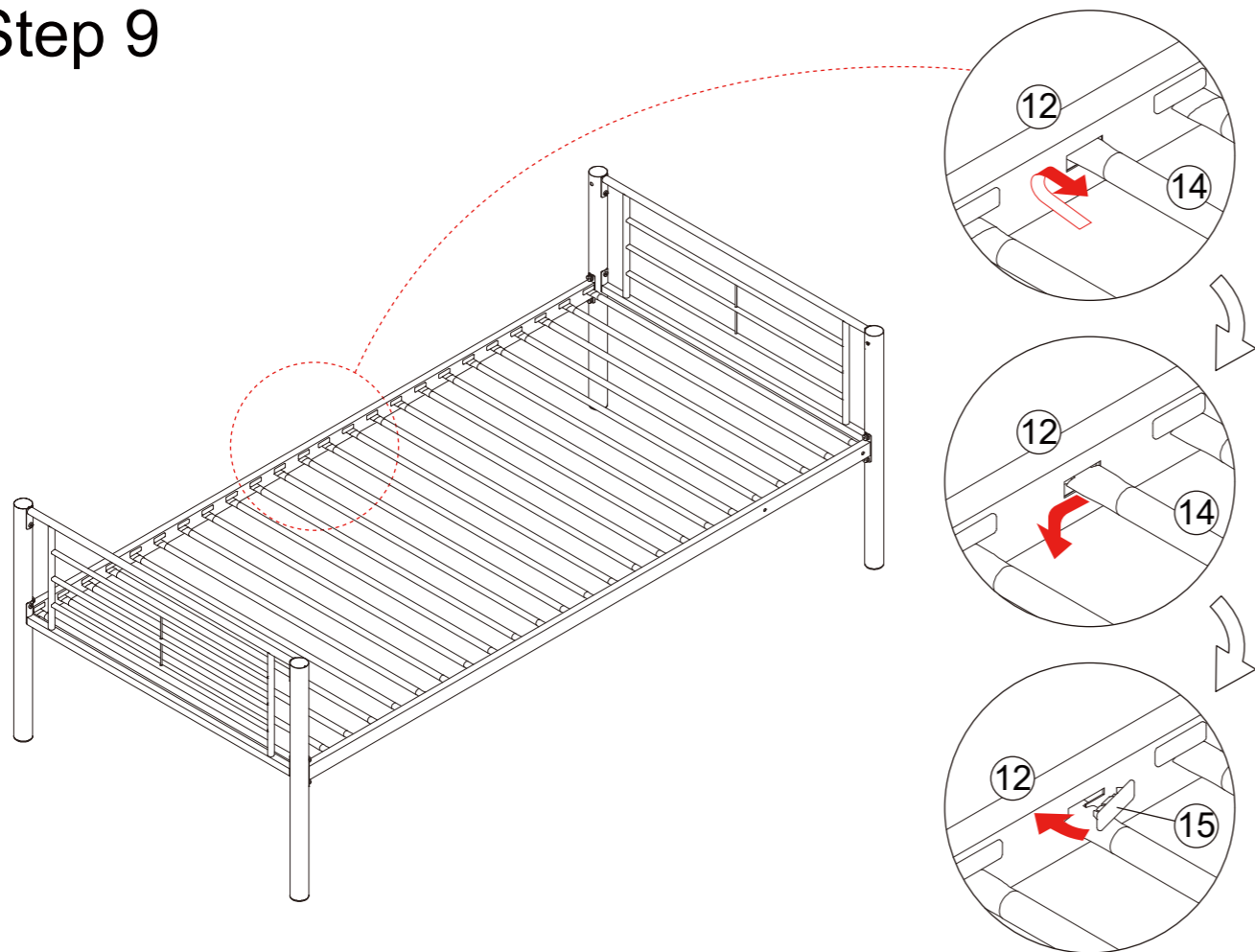


# Step 12

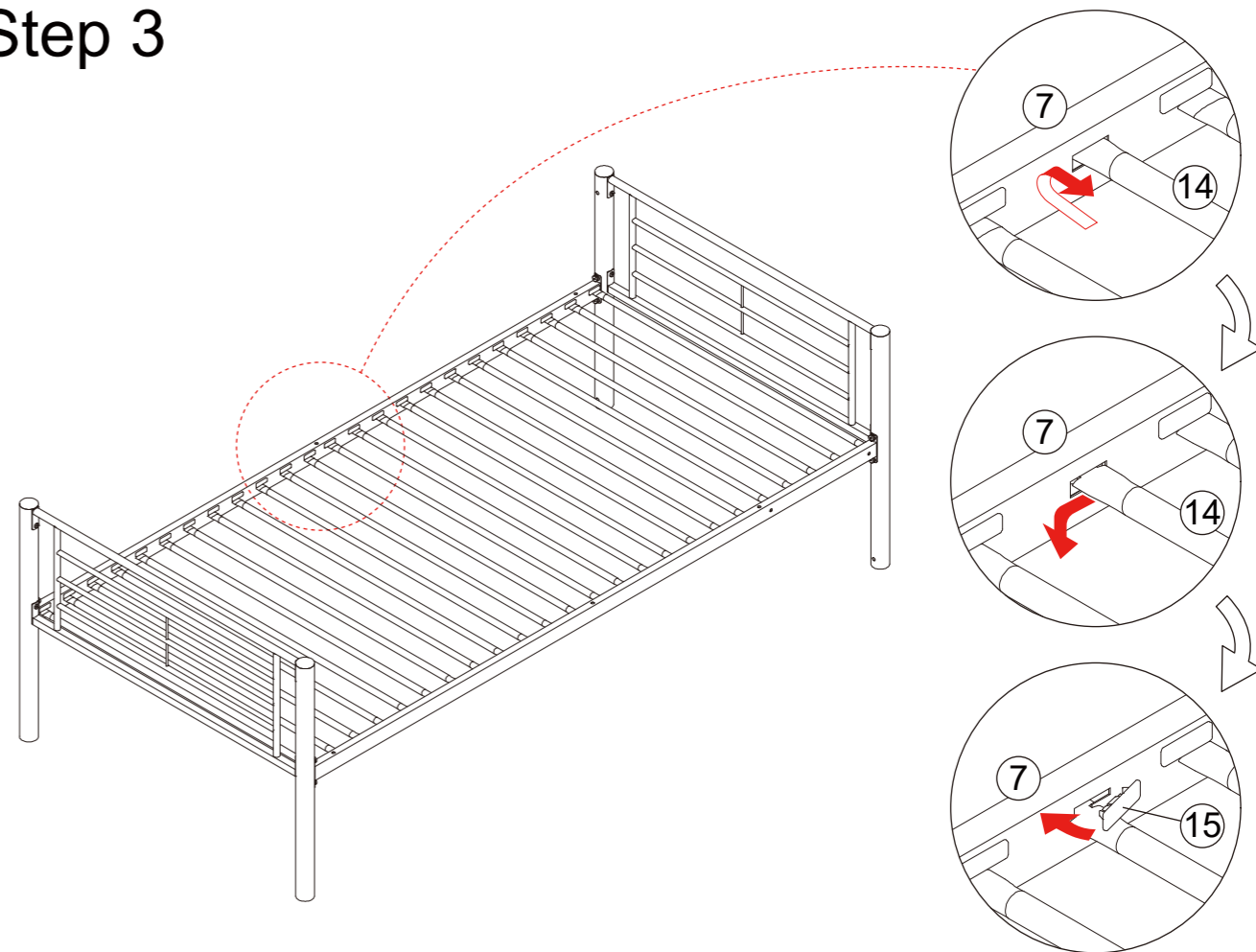
Cover the plugs and can be used as a separate bed.  
(If you want to install as a bunk bed, please ignore this step.)



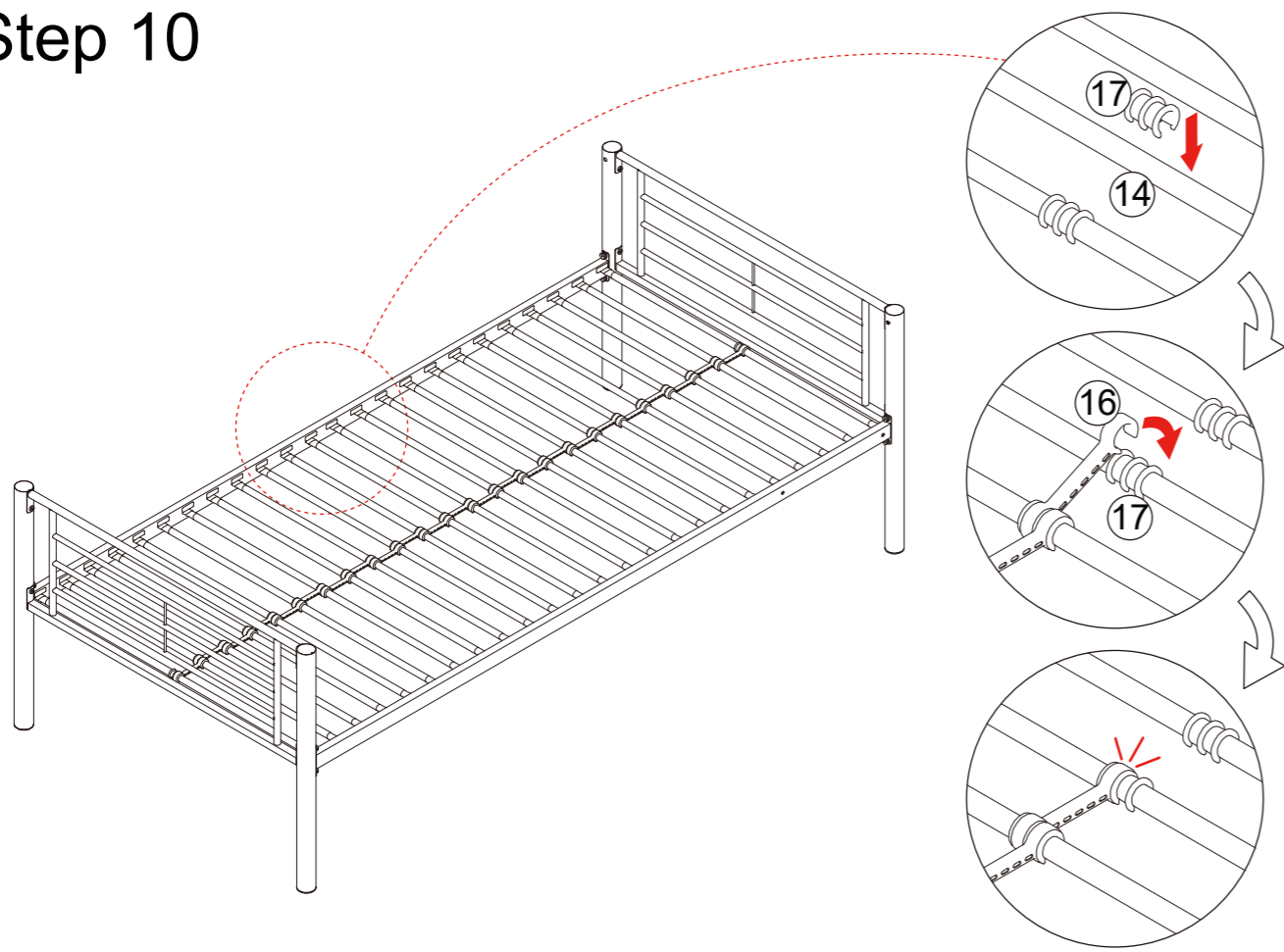
### Step 9



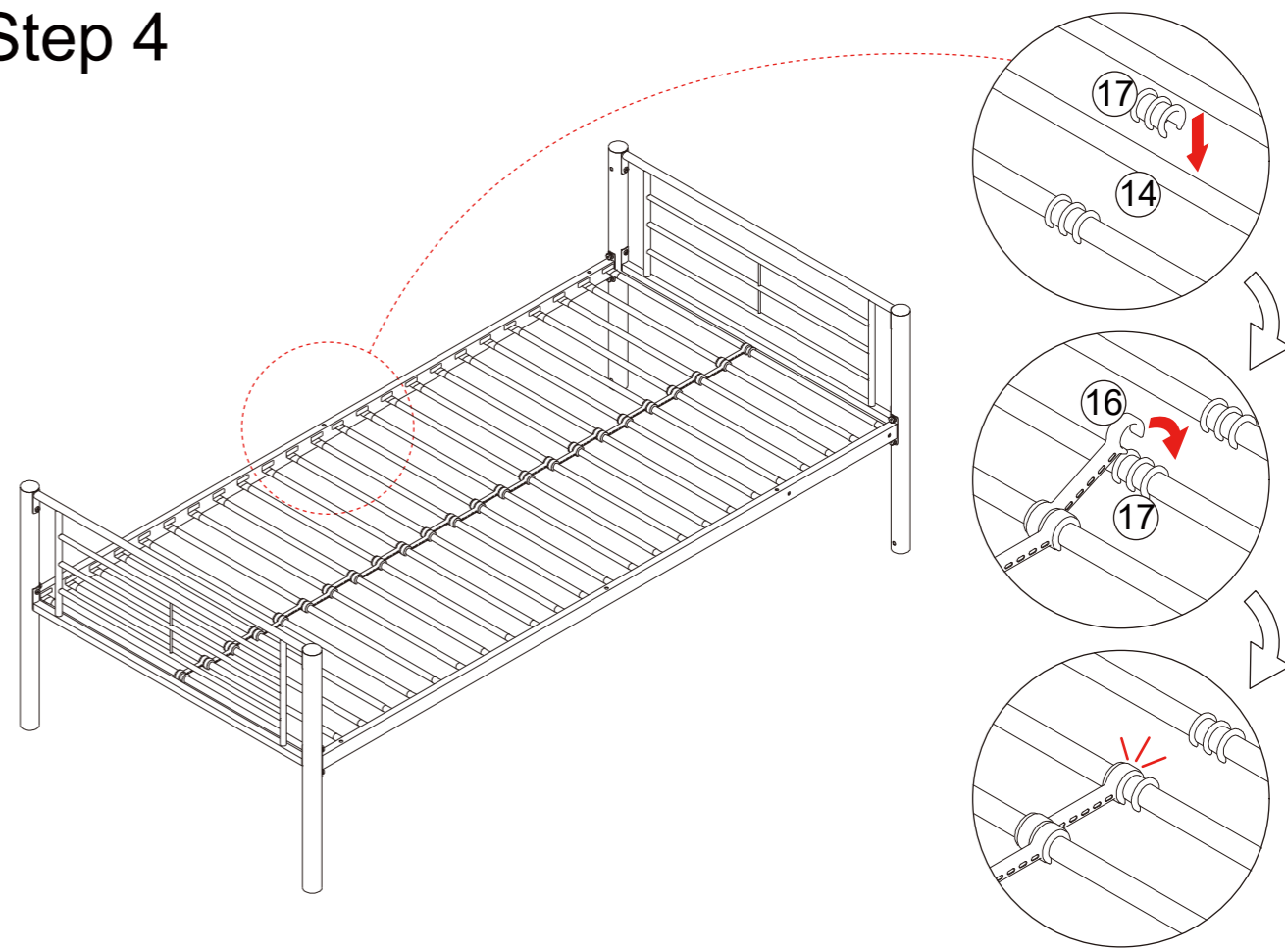
### Step 3



### Step 10

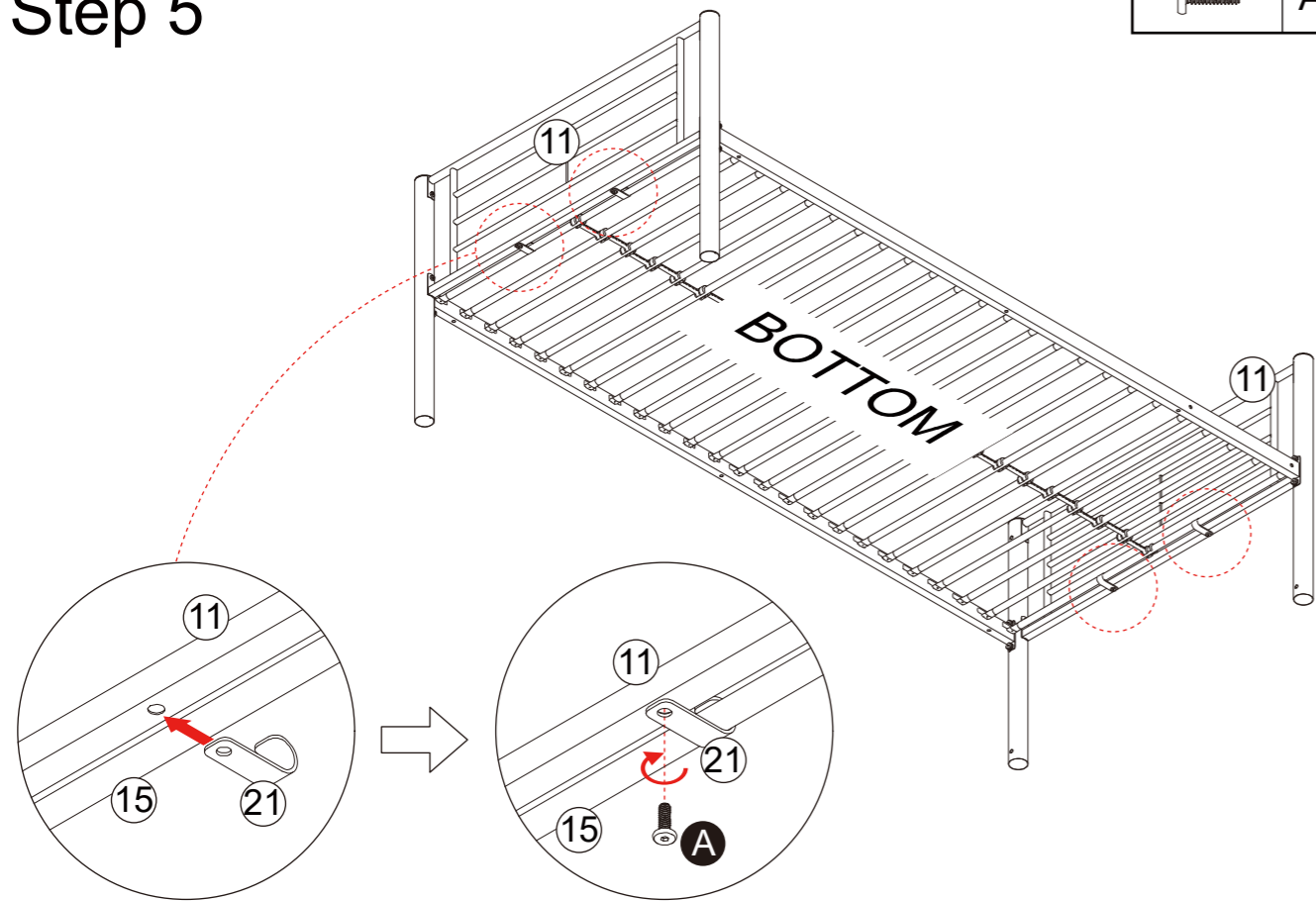


### Step 4



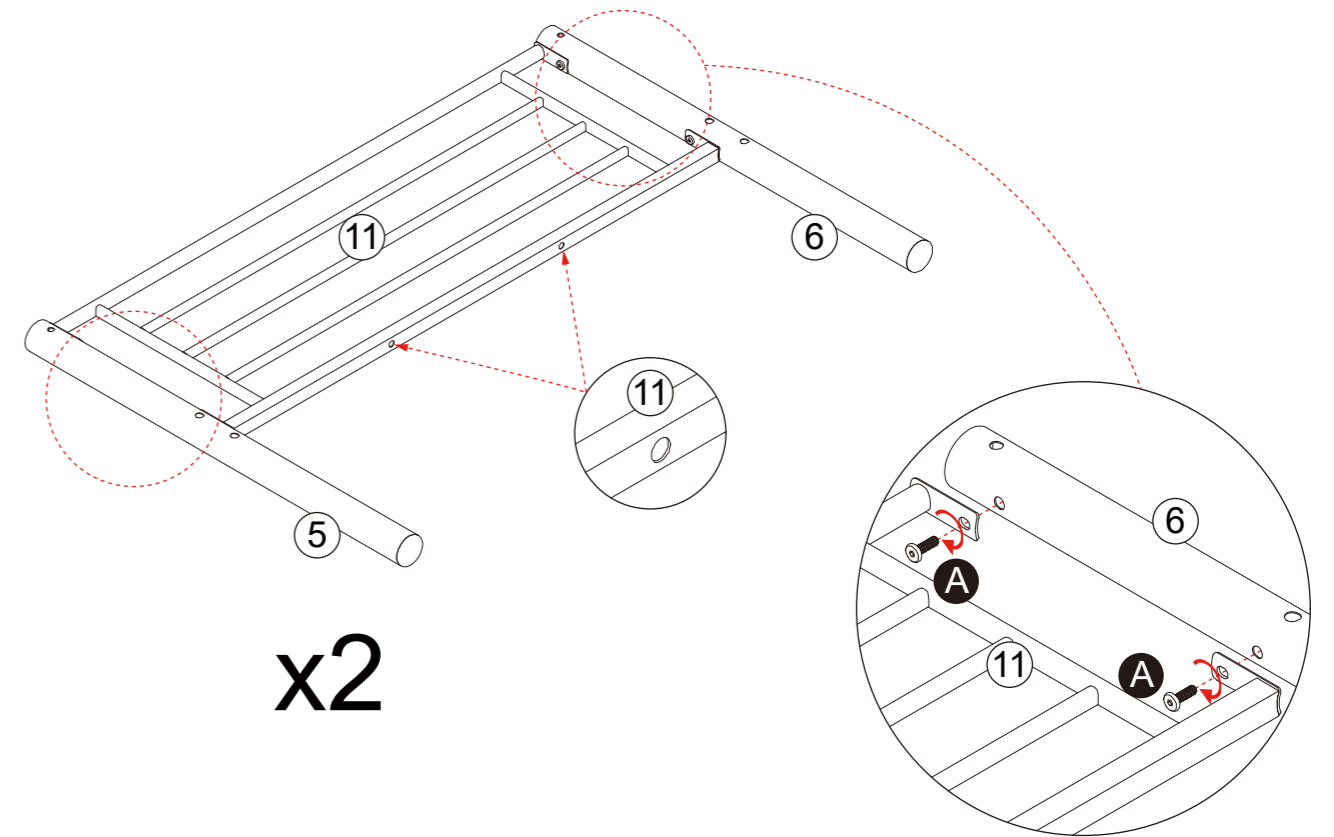
# Step 5

 A x 4



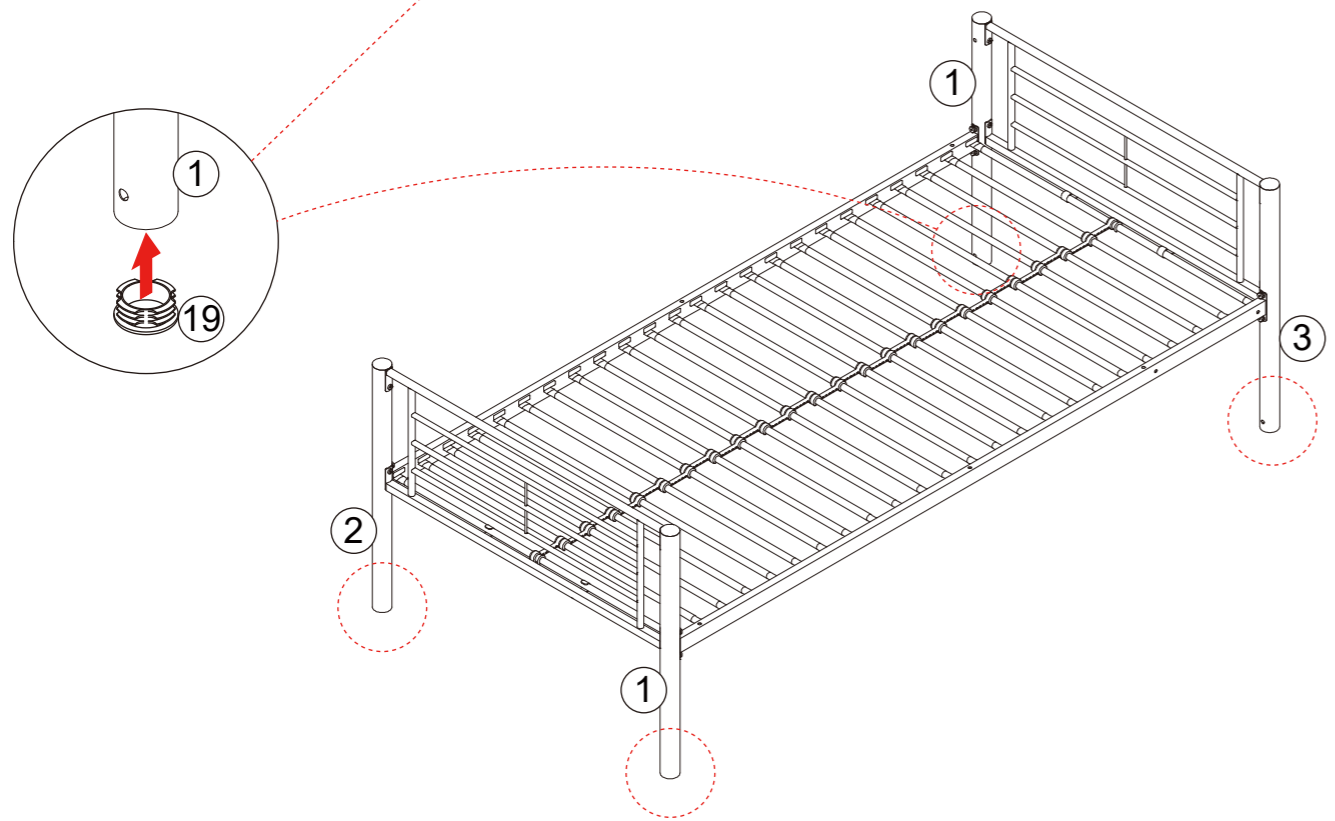
# Step 7

 A x 8



# Step 6

Cover the plugs and can be used as a separate bed.  
(If you want to install as a bunk bed, please ignore this step.)



# Step 8

 D x 8

